

## bathfan Simple SMPL100 Series

Bathroom Exhaust Fans



### SMPL100L

Simple

CFM

Lit

SMPL100 Part # – 484302

SMPL100L Part # – 484303

With 100 CFM of airflow capability, these bathroom exhaust fans offer high quality performance with wall or ceiling mount options. The product is powered by an Alternating Current (AC) motor to enable high energy-efficiency and long lasting reliability. Includes one (1) hanger bar to enable a multitude of installations. Available in lighted or non-lighted models.

#### Features

- 100 CFM (47 L/s) @ 0.1 in. wg. (25 Pa)
- Quiet operation
- Low Profile Design – ideal for 2x4 joist construction and taller
- Energy-efficient, permanently lubricated motor
- Lighted grille (on SMPL100L models only)
- Mount in the wall or in the ceiling
- Built-in, soft-close backdraft damper
- Includes one adjustable hanger bar to fit a multitude of applications
- Duct connector included

#### Specifications

• Airflow	100 CFM (47 L/s) @ 0.1 in. wg. (25 Pa)
• Sones	1.5
• Duct size	4 in. (101mm)
• Voltage/Phase/Hz	120/1/60
• Power rated	26.1W
• Amp	0.3A

#### Requirements and Standards

- ETL listed
- ENERGY STAR® certified
- Complies with California Title 24
- HVI 2100 certified

#### Casing

Constructed of 26 gauge galvanized steel for corrosion resistance. Detachable 4 in. (101mm) duct connector that includes a lightweight, built-in, soft-close backdraft damper. The included hanger bar mounting bracket is adjustable up to 14–24 in. (356mm–610mm) to allow for ideal positioning.

#### Motor/Blower

Plug-in, permanently-lubricated, ENERGY STAR® certified motor with thermal overload protection to ensure longer motor life. ETL and cETL listed for tub/shower enclosure when used with a GFCI branch circuit.

#### Grille

Low profile: constructed of a rugged polymeric resin known for its long life durability. Powerful torsion springs seat the trim tightly and evenly to the ceiling surface. Includes an 11W, 4000K cool white LED lighted grille (on SMPL100L models only).

#### Installation

For ceiling or wall mounting installations. Can be installed directly onto joists or with the help of the single hanger bar.

#### Ceiling Radiation Damper

bathfan Simple (SMPL) Series to be used with the UL555C Fantech Ceiling Radiation Damper—Small (Model #: 98599, sold separately) or the UL555C Fantech Ceil. Radiation Damper (Model #: 484374, sold separately).

#### Limited Warranty

5 years



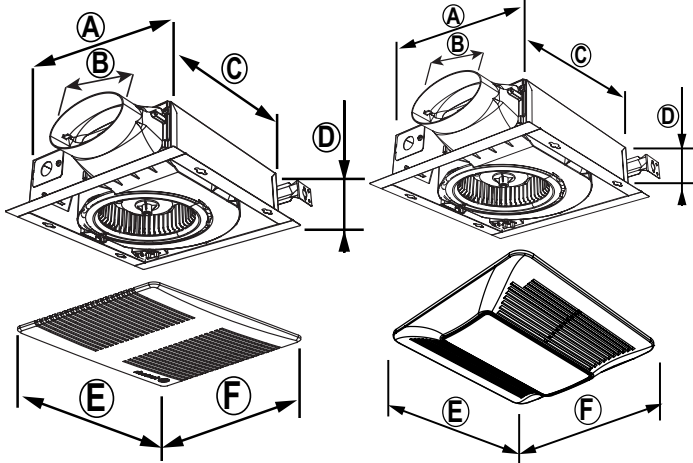
**fantech**®  
a systemair company

## Dimensions

Model	A		B		C		D		E		F	
	in	mm	in	mm	in	mm	in	mm	in	mm	in	mm
SMPL100	10-1/4	260	4	102	10-1/4	260	3-3/8	86	13-3/4	321	13	330
SMPL100L												

SMPL100, #484302

SMPL100L, #484303



## HVI Performance

### SMPL100 #484302

4 in. (101mm) Duct

0.1 (25) in. wg. (Pa)

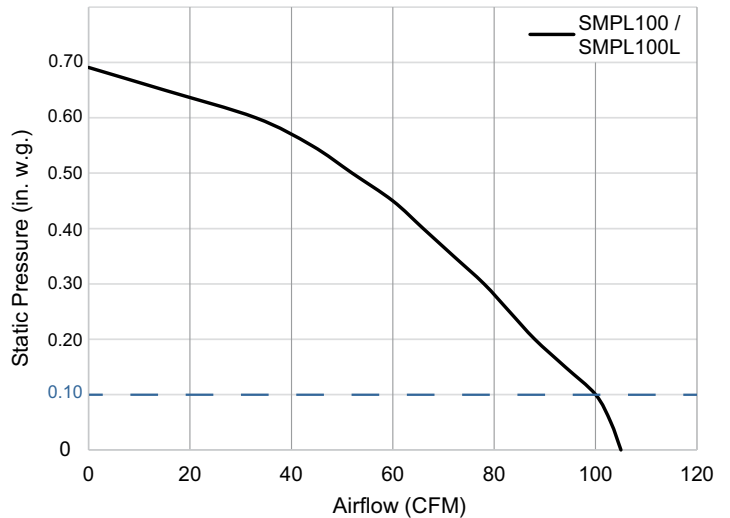
Air volume in CFM (L/s)	Noise (Sones)	Rated power (W)
100 (47)	1.5	26.1

### SMPL100L #484303

4 in. (101mm) Duct

0.1 (25) in. wg. (Pa)

Air volume in CFM (L/s)	Noise (Sones)	Rated power (W)
100 (47)	1.5	26.1



## Contacts

Submitted by: _____	Date: _____
Quantity: _____ Model: _____	Project #: _____
Comments: _____	
Location: _____	
Architect: _____	
Engineer: _____	Contractor: _____

## Distributed by:

