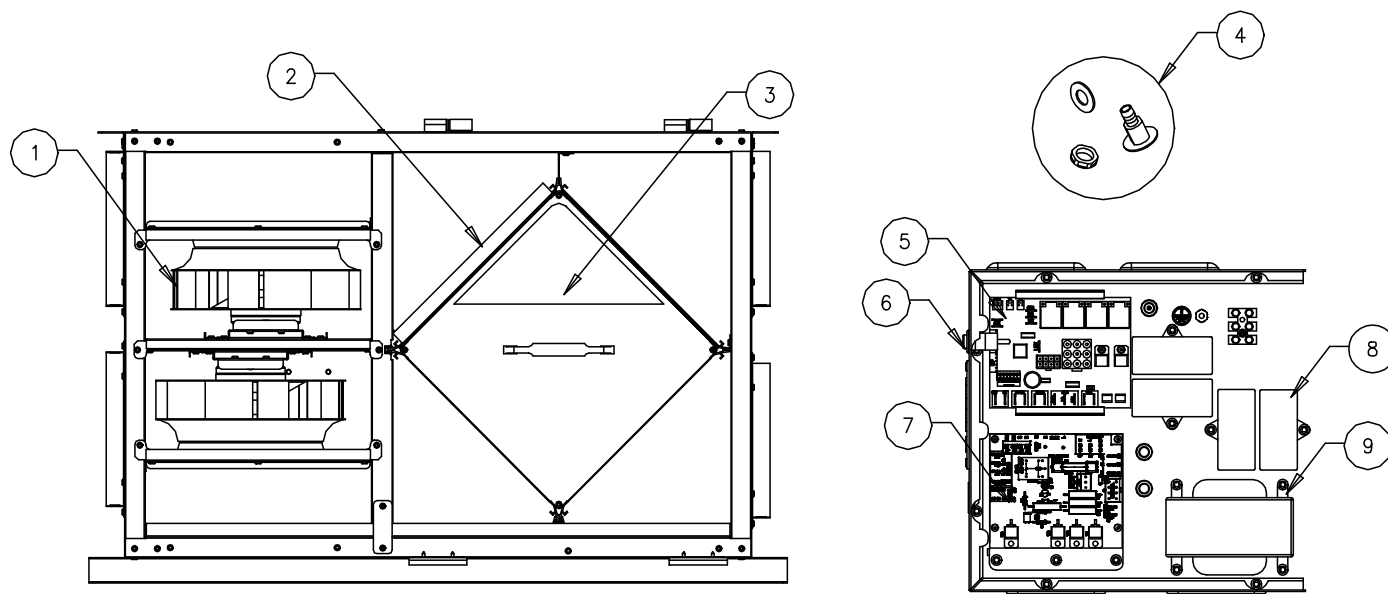


# SER9504

## Energy Recovery Ventilator/Ventilateur récupérateur d'énergie



BOM #	Description	SER9504 (75267)
1	Motor Assy, R2E 250-BC51	403475
2	Electrostatic Filters Kit 11.5" x 15"	40459
3	Energy Recovery Cell	422695 x 3
4	Kit Drain Plug	40315 x2
	Drain, T	410788
5	PCB, UNICTRL	402004
6	Rocker Switch	410213
7	PCB, HCE	420457
8	Capacitors 30uF	412303
9	Auto-Transformer	412454
	Temperature Probe	40286
	Fuse (8 & 12Amps)	412479
	MERV6 Filters	40460
	Wiring Diagram	422694
	Installation Manual	422693