

PRO 150 Bath Fan, 2 pcs/carton

Item Number: 499146



This item is sold in packs of 2.

- 0.5 Sones
- Built-in backdraft damper
- High-efficiency motor
- 3-year warranty

Application

The PRO 150 exhaust fan provides remarkably quiet, energy-efficient ventilation for bathrooms, powder rooms and other areas with square footage up to 140 sq. ft. The fans are designed for intermittent or continuous operation to meet **ASHRAE Standard 62.2**.

Model

150 cfm fan with a ceiling grille and damper. Uses a 6" flexible duct. The product is provided with an adjustable 12-24" bar hanger for ease of installation.

This model holds an ETL listing and conforms to UL and CSA safety standards. ENERGY STAR[®] and HVI qualified, California Title 24 Listed.



Technical parameters

Norminal data		
Voltage (nominal)	120	V
Voltage type	DC	
Frequency	60	Hz
Phase(s)	1~	
Phase(s), motor	1~	
Input power	35	W
Input current	0.3	A
Impeller speed	1,500	r.p.m.
Air flow	max 150.0	cfm
Protection/Classification		
Insulation class		B

Dimensions and weights

Duct dimension; Circular, inlet	6 in.
---------------------------------	-------

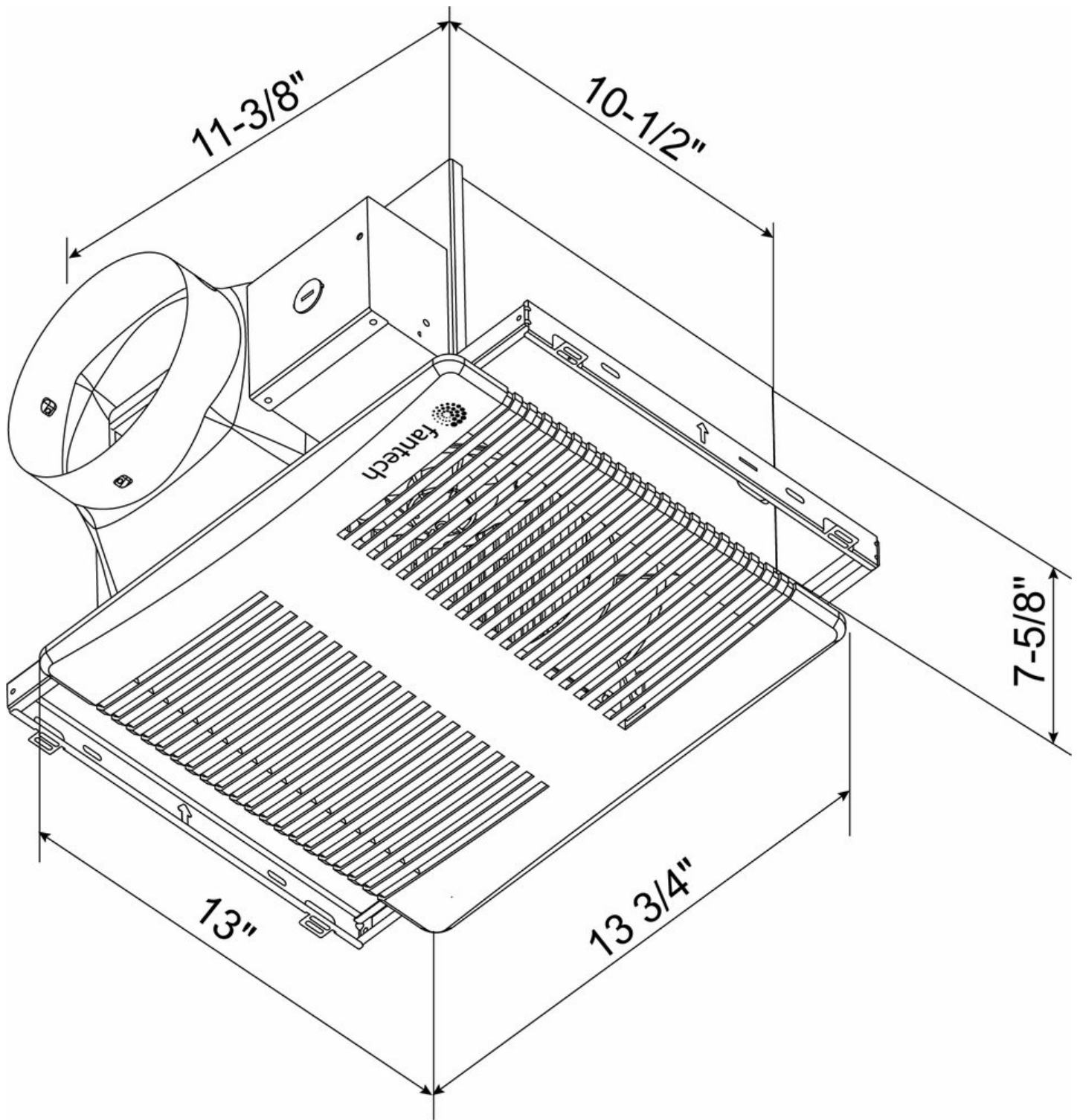
Weight	9 lb
--------	------

Optional

Duct connection type	Circular
----------------------	----------

Motor type	DC
------------	----

Dimensions



Accessories

- FD60EM Electronic Timer Switch (411386)
- HS 6W External Louver Exhaust (45153)
- FIDT 6 Insulated Flex Duct (411064)

Documents

- 156031 Pro Series 150 IOM