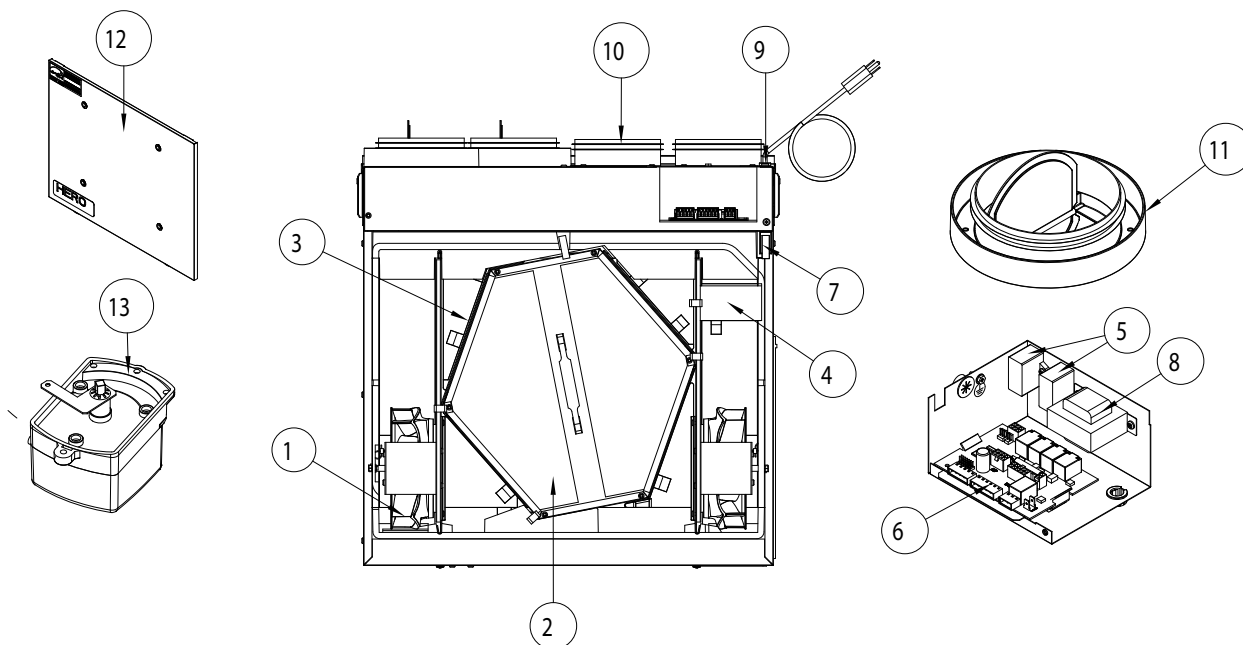


# HERO Series

## Heat Recovery Ventilator/Ventilateur récupérateur de chaleur



| BOM # | Description                  | HERO 120H<br>(99400) | HERO 150H<br>(99401) | HERO 200H<br>(99402) | HERO 150H-EC<br>(463253) | HERO 250H-EC<br>(463254) |
|-------|------------------------------|----------------------|----------------------|----------------------|--------------------------|--------------------------|
| 1     | MOTOR                        | 428469               | 428515               | 428516               | 428517                   | 428518                   |
| 2     | CELL                         | 414708               | 414709               | 414710               | 414709                   | 414710                   |
| 3     | MERV1 (pack of 2)            | 428519               | 428520               | 428521               | 428520                   | 428521                   |
| 4     | MERV8 (pack of 2)            | 428525               | 428526               | 428527               | 428526                   | 428527                   |
| 5     | CAPACITOR                    | 410012               | 410012               | 410012               | N/A                      | N/A                      |
| 6     | PC board                     | 428252               | 428252               | 428252               | 428252                   | 428252                   |
| 7     | Door Switch                  | 410867               | 410867               | 410867               | 410867                   | 410867                   |
| 8     | Transformer                  | 411963               | 411963               | 411963               | 411963                   | 411963                   |
| 9     | Speed switch                 | 410213               | 410213               | 410213               | 410213                   | 410213                   |
| 10    | Metal Collar                 | 428674               | 428675               | 428675               | 428675                   | 428675                   |
| 11    | Plastic collar with Damper   | 414746               | 414747               | 414747               | 414747                   | 414747                   |
| 12    | Door                         | 428541               | 428542               | 428542               | 428542                   | 428542                   |
| 13    | damper                       | 428543               | 428543               | 428543               | 428543                   | 428543                   |
|       | Fuse, 8 AMP, 250 VAC 3AB 3AG | 414736               | 414736               | 414736               | 414736                   | 414736                   |
|       | Temp probe                   | 40286                | 40286                | 40286                | 40286                    | 40286                    |
|       | Damper Door, Defrost         | 428544               | 428544               | 428544               | 428544                   | 428544                   |
|       | Kit,chain                    | 404261               | 404261               | 404261               | 404261                   | 404261                   |
|       | Kit, Wall Bracket            | 428545               | 428546               | 428546               | 428546                   | 428546                   |
|       | Wiring Diagram               | 428481               | 428481               | 428481               | 428482                   | 428482                   |
|       | Installation Manual          | 428486               | 428486               | 428486               | 428486                   | 428486                   |
|       | Filter MERV13 (pack of 2)    | NA                   | 428548               | 428549               | 428548                   | 428549                   |
|       | Filter HEPA (pack of 2)      | NA                   | 428551               | 428552               | 428551                   | 428552                   |