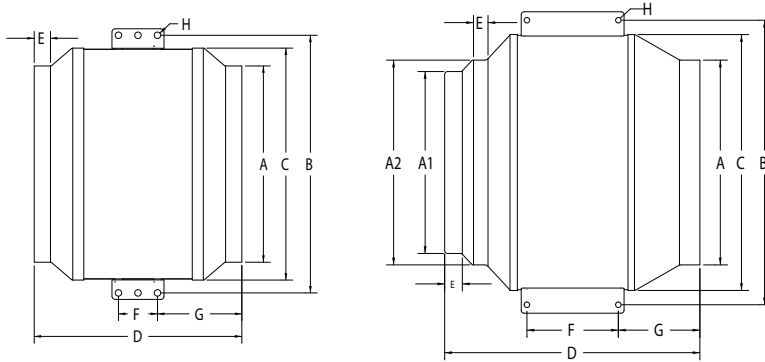


## FKD/KD Series

### Inline Centrifugal Fans



#### STANDARD FEATURES

- Galvanized steel housing with a prewired electrical box
- Powered by external rotor motorized mixed flow impeller
- Permanently lubricated sealed ball bearings
- 100% speed controllable
- Automatic reset thermal overload protection
- Five-year limited factory warranty



Fantech Inc. certifies that the FKD/KD Series shown herein is licensed to bear the AMCA Seal. The ratings shown are based on tests and procedures performed in accordance with AMCA Publication 211 and AMCA Publication 311 and comply with the requirements of the AMCA Certified Ratings Program.

Model	A	A1	A2	B	C	D	E	F	G	H	Weight
8XL	8 (203)	-	-	14 (356)	12 1/2 (318)	15 1/2 (394)	3/4 (19)	2 3/8 (60)	6 1/8 (156)	3/8 (10)	15 (6.8)
10	10 (254)	-	-	14 (356)	12 1/2 (318)	12 1/2 (318)	3/4 (19)	2 3/8 (60)	5 (127)	3/8 (10)	15 (6.8)
10XL	10 (254)	-	-	15 5/8 (397)	14 (356)	15 (381)	3/4 (19)	2 3/8 (60)	6 3/8 (162)	3/8 (10)	21 (9.5)
12	12 (305)	-	-	15 5/8 (397)	14 (356)	12 1/2 (318)	3/4 (19)	2 3/8 (60)	5 1/8 (130)	3/8 (10)	20 (9.0)
12XL	12 (305)	12 (305)	14 (356)	20 3/8 (518)	17 7/8 (454)	18 7/8 (479)	1 3/8 (35)	4 (102)	8 1/2 (216)	3/8 (10)	38 (17.2)
14	14 (356)	12 (305)	14 (356)	20 3/8 (518)	17 7/8 (454)	17 1/4 (438)	1 1/4 (32)	4 (102)	6 3/4 (171)	3/8 (10)	37 (16.7)
14XL	14 (356)	14 (356)	15 5/8 (397)	22 3/8 (568)	19 3/4 (502)	20 1/4 (514)	1 1/2 (38)	4 (102)	8 3/4 (222)	3/8 (10)	45 (20.4)
16	15 5/8 (397)	14 (356)	15 5/8 (397)	22 3/8 (568)	19 3/4 (502)	18 3/4 (476)	1 1/2 (38)	4 (102)	7 1/8 (181)	3/8 (10)	44 (19.9)
16XL	15 5/8 (397)	15 5/8 (397)	17 5/8 (448)	24 1/2 (622)	22 1/8 (562)	23 3/4 (603)	1 1/4 (32)	7 7/8 (200)	8 1/2 (216)	1/2 (13)	75 (34.0)
18	17 5/8 (448)	15 5/8 (397)	17 5/8 (448)	24 1/2 (622)	22 1/8 (562)	21 3/4 (552)	1 1/4 (32)	7 7/8 (200)	7 (178)	1/2 (13)	74 (33.5)
18XL	17 5/8 (448)	17 5/8 (448)	19 5/8 (498)	28 1/2 (724)	26 (660)	27 1/4 (692)	1 3/4 (44)	7 7/8 (200)	10 1/2 (267)	1/2 (13)	98 (44.4)
20	19 5/8 (498)	17 5/8 (448)	19 5/8 (498)	28 1/2 (724)	26 (660)	27 1/4 (692)	1 3/4 (44)	7 7/8 (200)	10 1/2 (267)	1/2 (13)	99 (44.9)

All dimensions are in inches (mm) and weights are in pounds (kg).

Fan Specifications							Motor Specifications				
Line	Qty	Model No.	Tag	CFM	SP	Fan RPM	Watts	Volts	Phase	Hertz	Encl
1											
2											
3											
4											

Accessory Items	1	2	3	4	Accessory Items	1	2	3	4

Project: \_\_\_\_\_ Submitted: \_\_\_\_\_  
 Customer: \_\_\_\_\_ Approved: \_\_\_\_\_  
 Location: \_\_\_\_\_

United States 10048 Industrial Blvd. • Lenexa, KS 66215 • 1.800.747.1762 • www.fantech.net  
 Canada 50 Kanalfakt Way • Bouctouche, NB E4S 3M5 • 1.800.565.3548 • www.fantech.net

Fantech reserves the right to make technical changes.  
 For updated documentation please refer to [www.fantech.net](http://www.fantech.net)

