

Installation, Operations, and Maintenance Manual Manuel d'installation, de fonctionnement et de maintenance

Literature Item #: 445421
Rev Date: 07-27-2023
No. d'article #: 445421
Date de revision: 07-27-2023

FIT[®] 70E

Fresh Air Appliance (FAA/ERV)
Appareil d'air frais (AAF/VRE)



PARTS IN THE BOX

Energy Recovery Ventilator Fit70E, 1 pc
Ceiling bracket, 1 pc
Angle brackets, 2 pcs
External Damper Wire harness, 1 pc
Operation and Installation Manual, 1 pc

PIÈCES DANS LA BOÎTE

Ventilateur récupérateur d'énergie Fit70E, 1 pc
Support muraux, 1 pc
Équerre d'assemblage, 2 pcs
Faisceau de câbles de clapet externe, 1 pc
Manuel d'installation, 1 pc



Your ventilation system should be installed in conformance with the appropriate provincial requirements or, in the absence of such requirements, with the current edition of the National Building Code, and / or ASHRAE's "Good Engineering Practices".

Votre système de ventilation doit être installé conformément aux exigences de la province où vous habitez ou, à défaut de telles exigences, conformément à l'édition actuelle du Code national du bâtiment du Canada ou aux « méthodes d'ingénierie appropriées » de l'ASHRAE.

United States

10048 Industrial Blvd., Lenexa, KS, 66215
Tel.: 800.747.1762 • Fax: 800.487.9915

Canada






50 Kanalfakt Way, Bouctouche, NB, E4S 3M5
Tel.: 800.565.3548 • Fax: 877.747.8116

Fantech reserves the right to modify, at any time and without notice, any or all of its products' features, designs, components and specifications to maintain their technological leadership position.
Please visit our website www.fantech.net for more detailed technical information.

Fantech se réserve le droit de modifier partiellement ou entièrement, en tout moment et sans préavis, les caractéristiques, la conception, les composants et les spécifications de ses produits, afin de conserver sa position de leader de technologie.

S'il vous plaît visitez notre site www.fantech.net pour des informations techniques plus détaillées.



				
Note	Warning/ Important note	Information	Technical information	Practical tip



PLEASE READ AND SAVE THESE INSTRUCTIONS

For residential use only

Before installation careful consideration must be given to how this system will operate if connected to any other piece of mechanical equipment, i.e. a forced air furnace or air handler operating at a higher static pressure. After installation, the compatibility of the two pieces of equipment must be confirmed by measuring the airflow of the Fresh Air Appliance (FAA) using the balancing procedure found in this manual. It is always important to assess how the operation of any FAA may interact with vented combustion equipment (i.e. Gas Furnaces, Oil Furnaces, Wood Stoves, etc.)

Residential FAA ventilation systems are not suitable for pool or spa applications.



Products are designed and manufactured to provide reliable performance, but they are not guaranteed to be 100% free of defects. Even reliable products will experience occasional failures, and this possibility should be recognized by the user. If these products are used in a life support ventilation system where failure could result in loss or injury, the user should provide adequate back-up ventilation, supplementary natural ventilation or failure alarm system, or acknowledge willingness to accept the risk of such loss or injury.

Your ventilation system should be installed in accordance with the local building code that is in effect, in absence of such requirements, it is recommended to check with local authorities having jurisdiction in your area prior to installing this product.

TABLE OF CONTENTS

DETERMINING YOUR AIRFLOW REQUIREMENT	4
INSTALLATION EXAMPLES	
Fully dedicated system	5
Partially dedicated system	6
Simplified installation	7
EXTERIOR DUCTING INSTALLATION	
Weatherhood Location	9
Installing the ducting to the weatherhood	9
INTERIOR DUCTING INSTALLATION	
General Tips	10
Installing duct to FAA	10
Supply & Exhaust air grilles location	10
FAA INSTALLATION	11
Ceiling Mounting	12
Wall Mounting	13
AIRFLOW ADJUSTMENT & BALANCING	
General preparation	14
Balancing steps	15
WALL CONTROLS	16
WIRING DIAGRAM	18
TROUBLESHOOTING	20
FAA CORE WASHING INSTRUCTIONS	21
FAA MAINTENANCE CHART	22

DETERMINING YOUR AIRFLOW REQUIREMENT

Room Count Method

Room classification	Number of rooms	CFM (L/s)	CFM Required
Master bedroom		x 10 L/s (20 CFM)	=
Basement	yes or no	if yes add 10 L/s (20 CFM) if no = 0	=
Bedrooms		x 5 L/s (10 CFM)	=
Living room		x 5 L/s (10 CFM)	=
Others		x 5 L/s (10 CFM)	=
Kitchen		x 5 L/s (10 CFM)	=
Bathroom		x 5 L/s (10 CFM)	=
Laundry room		x 5 L/s (10 CFM)	=
Utility room		x 5 L/s (10 CFM)	=
Total Ventilation Requirements (add last column)			=

1 CFM = 0.47 L/s
1 L/s = 2.13 CFM

ASHRAE method

Ventilation Air requirements

Floor area		Bedrooms									
Ft ²	m ²	1		2		3		4		5	
		CFM	L/s	CFM	L/s	CFM	L/s	CFM	L/s	CFM	L/s
<500	<47	30	128	38	18	45	21	53	25	60	28
205-1000	47-93	45	21	53	24	60	28	68	31	75	35
1001-1500	94-139	60	28	68	31	75	35	83	38	90	42
1501-2000	140-186	75	35	83	38	90	42	98	45	105	49
2001-2500	187-232	90	42	98	45	105	49	113	52	120	56
2501-3000	233-279	105	49	113	52	120	56	128	59	135	63
3001-3500	280-325	120	56	128	59	135	63	143	66	150	70
3501-4000	326-372	135	63	143	66	150	70	158	73	165	77
4001-4500	373-418	150	70	158	73	165	77	173	80	180	84
4501-5000	419-465	165	77	173	80	180	84	188	87	195	91

* ASHRAE 62.2-2016 Table 4.1, Ventilation and Acceptable Indoor Air Quality in Low-Rise Residential Buildings.



Bathroom: If the FAA is going to provide the required local exhaust ventilation for each bathroom with each a continuous 20 CFM (10 L/s), this ventilation rate can be considered as part of the whole-building ventilation rate.

Installation examples

FULLY DEDICATED SYSTEM BEST FOR NEW CONSTRUCTION

Stale air is drawn from key areas of home (bathroom, kitchen, laundry)
Fresh air supplied to main living areas

Suggested installation for:

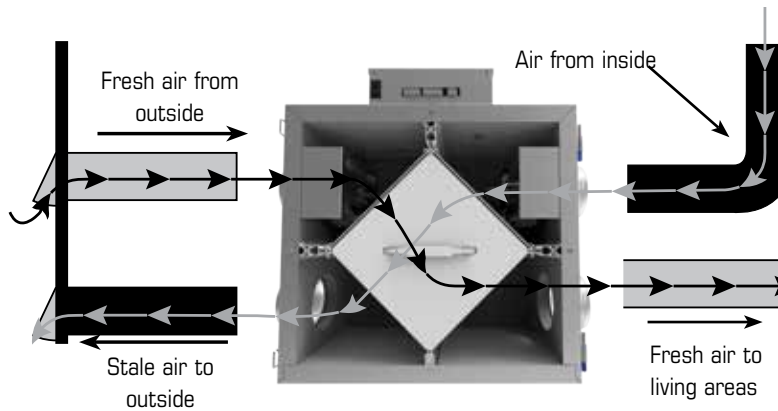
- Hydronic baseboard
- Infloor heating
- Electric baseboard
- Mini split heat pump

Benefits: Provides the best fresh air distribution in the house; lowest operation cost since the furnace/air handler unit is not needed.



1. Stale air is drawn from key areas of the home requiring local exhaust (bathroom, kitchen, laundry room).
2. Fresh air is distributed directly to habitable rooms in the house (bedrooms, living room)
3. The FAA's airflow must be balanced after installation using the procedure found in the section "AIRFLOW BALANCING"

* Ductwork layout may differ depending on model



* Unit air flow should be balanced while FAA is on "Normal" speed and furnace blower is running.

Installation examples (Cont'd)

DIRECT CONNECTION of the FRESH air to living area to the RETURN PLENUM of the AIR HANDLER (Stale air drawn from key areas of home)

PARTIALLY DEDICATED SYSTEM (BETTER)



1. Furnace blower must operate when ventilation from FAA is required. The furnace should be set to run continuously or interlocked with FAA. See furnace electrical connection on page 19.
2. Stale air is drawn from key areas of the home (bathroom, kitchen, laundry room).
3. Fresh air is supplied to the return air plenum of the furnace.
4. Due to the difference in pressure between the FAA and the equipment it is being connected to the FAA's airflow must be balanced on site, using the procedure found in the section "AIRFLOW BALANCING"

* In the case of a multi-zone system, please contact Fantech customer service prior to installing any installation type requiring the use of the furnace interlock"

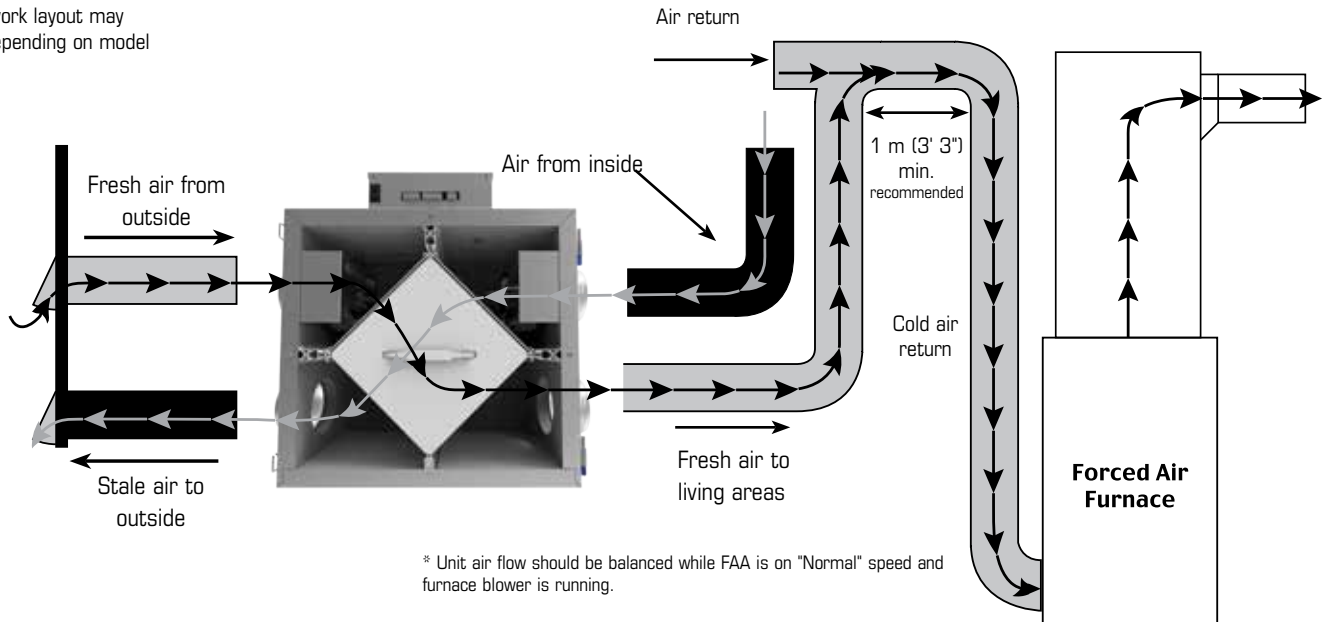
Suggested installation for:

- Central furnace (air handling unit or central air conditioners)
- When ducting fresh air to living area is not possible or practical, i.e. expensive or when the central AHU will operate year-round.

Benefits: Conditions the fresh air prior to distributing it throughout the house

FAA/Furnace ducting for Partially Dedicated System

* Ductwork layout may differ depending on model



* Unit air flow should be balanced while FAA is on "Normal" speed and furnace blower is running.



For Fresh Air Appliances (FAAs) that do not include an outdoor air motorized damper: If you are using a partially dedicated or simplified installation, i.e. connecting the FAA supply air duct to a furnace's return air duct, the FAA must operate continuously. When the FAA is turned off, no warm exhaust air will flow through the FAA but the furnace's fan will continue to draw in outdoor air directly into the furnace. If it's cold outside, cold air will be introduced, without re-heating, directly into the furnace.

If the FAA is installed such that the homeowner may turn off the FAA during the winter, we recommend installing a motorized damper between the FAA's supply air and the furnace's return air duct that closes when the FAA is not operating. To install a damper accessory to the product, locate the auxiliary connector on the side of the electrical box. See Figure 1. Using the included wire harness, connect the damper accessory to the product.

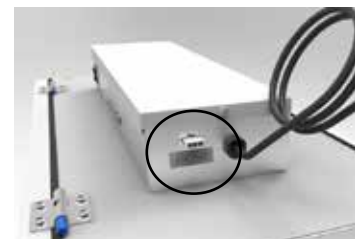


Figure 1
*Auxiliary connector for external damper wire harness, damper motor not included"

Installation examples (Cont'd)

DIRECT CONNECTION of both the FAA SUPPLY AIR STREAM and EXHAUST AIR STREAM to the FURNACE COLD AIR RETURN

SIMPLIFIED INSTALLATION (GOOD) (RETURN/RETURN METHOD)



1. Furnace blower must operate when ventilation from FAA is required. The furnace should be set to run continuously or interlocked with FAA. See furnace electrical connection on page 19.
2. A minimum separation of 1 m (3'3") is recommended between the two direct connections.
3. In order to prevent exhausting any fresh air, the FAA's exhaust air connection should be upstream of the FAA's supply air connection when ducting to the furnace's cold air return.
4. Due to the difference in pressure between the FAA and the equipment it is being connected to the FAA's airflow must be balanced on site, using the procedure found in the section "AIRFLOW BALANCING"

* In the case of a multi-zone system, please contact Fantech customer service prior to installing any installation type requiring the use of the furnace interlock"

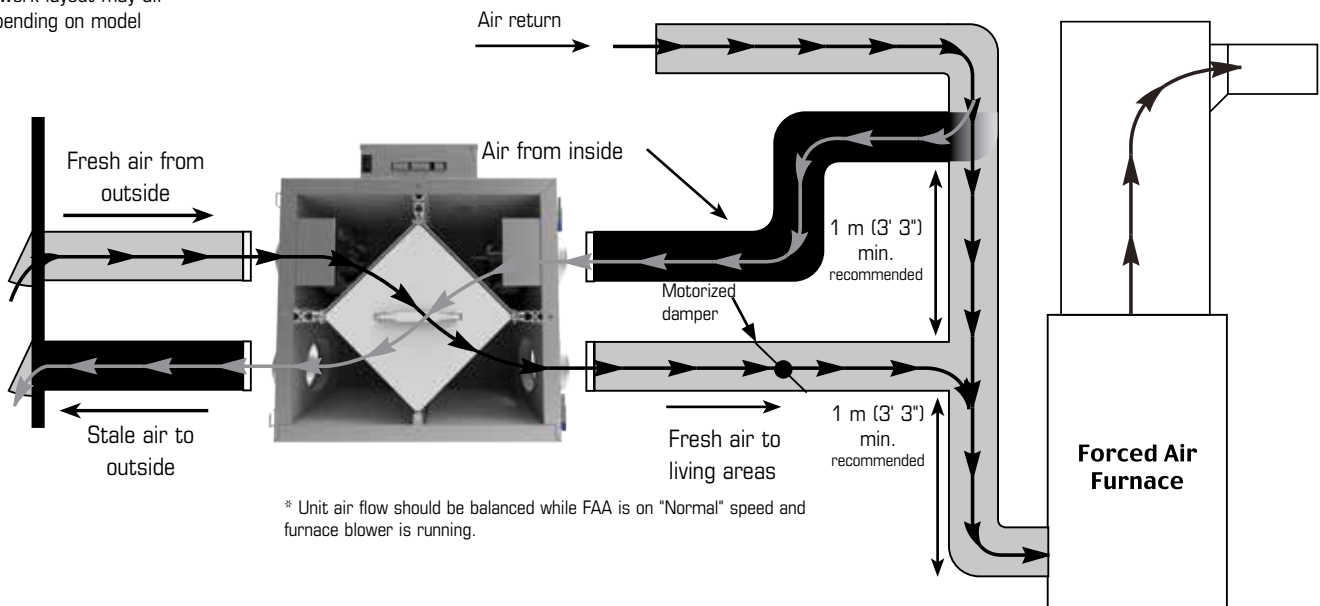
Suggested installation for:

- When bathroom and kitchen already have local exhaust system
- May be suitable for retrofitting

Benefits: Least expensive installation type

FAA/Furnace ducting for Simplified Installation

* Ductwork layout may differ depending on model



For Fresh Air Appliances (FAAs) that do not include an outdoor air motorized damper: If you are using a partially dedicated or simplified installation, i.e. connecting the FAA supply air duct to a furnace's return air duct, the FAA must operate continuously. When the FAA is turned off, no warm exhaust air will flow through the FAA but the furnace's fan will continue to draw in outdoor air directly into the furnace. If it's cold outside, cold air will be introduced, without re-heating, directly into the furnace.

If the FAA is installed such that the homeowner may turn off the FAA during the winter, we recommend installing a motorized damper between the FAA's supply air and the furnace's return air duct that closes when the FAA is not operating. To install a damper accessory to the product, locate the auxiliary connector on the side of the electrical box. See Figure 1. Using the included wire harness, connect the damper accessory to the product.

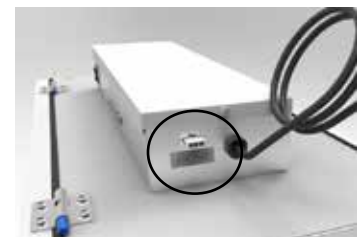


Figure 1
*Auxiliary connector for external damper wire harness, damper motor not included"

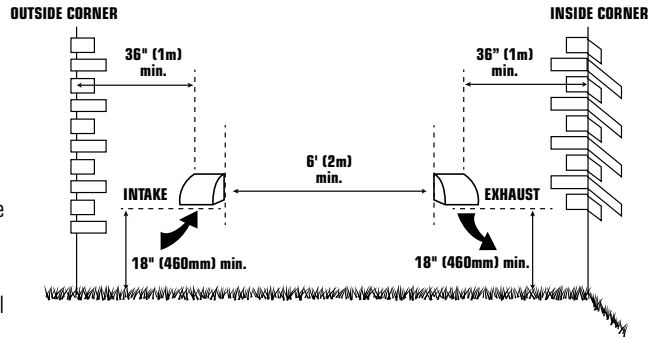
EXTERIOR DUCTING INSTALLATION

WEATHERHOOD LOCATION

- Decide where your intake and exhaust hoods will be located.

Locating the Intake Weatherhood

- Should be located upstream (if there are prevailing winds) from the exhaust outlet.
- At a minimum distance to 900 mm (3') away from dryer vents and furnace exhaust (medium or high efficiency furnaces), driveways, oil fill pipes, gas meters, or garbage containers.
- At a minimum height of 460mm (18") above the ground, or above the level of expected snow accumulation.
- Ideally, keep weatherhoods 1m (3') from corners.
- Do not locate in the garage, attic, crawl space, or underneath deck.



Locating the Exhaust Weatherhood

- At least 460mm (18") above ground or above the depth of expected snow accumulation
- Ideally, keep weatherhoods 1m (3') from corners.
- Not near a gas meter, electric meter or a walkway where fog or ice could create a hazard
- Do not locate in a garage, workshop or other unheated space

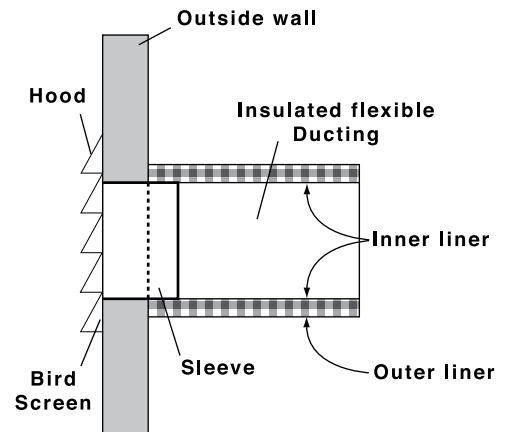
INSTALLING THE DUCTING TO THE WEATHERHOODS

A well designed and installed ducting system will allow the FAA to operate at its maximum efficiency. The inner liner of the flexible insulated duct must be secured to the sleeve of the weatherhood (as close to the outside as possible) and to the appropriate duct connection on the FAA. The insulation should remain full and not crushed. The outer liner, which acts as a vapor barrier, must be completely sealed to the outer wall and the FAA using tape and/or caulking. A good bead of high quality caulking (preferably acoustical sealant) will seal the inner flexible duct to both the FAA duct connection and the weatherhood prior to securing them.

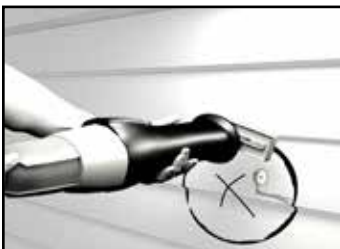
To minimize airflow restriction, the flexible insulated duct that connects the two outside weatherhoods to the FAA should be stretched tightly and be as short as possible.

Twisting or folding the duct will severely restrict airflow.

See “Installation Diagram Examples” for installation examples.



STEPS FOR HOOD INSTALLATION:



1 Using the duct connection of the outside hood, outline the intake & exhaust holes to be cut. The holes should be slightly larger than the duct connection to allow for the thickness of the insulated flexible duct. Cut a hole for both the intake and exhaust hoods.

2 Pull the insulated flexible duct through the opening until it is well extended and straight. Slide the duct's inner vinyl sleeve over the hood duct connection and secure. Pull the insulation over the duct and pull the vapor barrier over the sleeve. Secure with appropriate tape or sealant.

3 Push the hood into the opening and then attach the hood to the outside wall with mounting screws. Repeat the installation procedure for both the supply and exhaust hoods.

4 Using a caulking gun, seal around both hoods to prevent any leaks.

Interior ducting installation



- To maximize airflow through the ductwork system, all ducts should be kept short and have as few bends or elbows as possible.
- 45° elbows are preferable to 90°.
- Use “Y” ducts instead of “T” ducts whenever possible.
- All duct joints must be fastened with screws or duct sealant and wrapped with aluminum foil duct tape to prevent leakage.
- Galvanized ducting from the FAA to the living areas in the house is recommended whenever possible, although flexible ducting can be used in moderation when necessary.
- To avoid possible noise transfer through the ductwork system, a short length (approximately 300 mm, 12”) of nonmetallic flexible insulated duct should be connected between the FAA and the supply/exhaust ductwork system.
- The main supply and return line to/from the FAA must have the same diameter as the duct connection or larger.
- Branch lines to the individual rooms may be as small as 100 mm (4”).

Installing ducting to FAA

For flexible duct installation, slide flexible ducting onto duct connection. Then install a cable tie over flexible duct to prevent leakage between the ducting and the duct connection.

In the case of solid ducting, slide duct over duct connection, screw in place and seal.



*Collars may differ depending on the unit.

Supply air grilles location

In homes without a forced air furnace, fresh air should be supplied to all habitable rooms, including bedrooms and living areas. It should be supplied from high wall or ceiling locations. Grilles that diffuse the air comfortably are recommended. In homes with a forced air furnace, you may want to connect the FAA to the furnace ductwork (see information below).

Exhaust air grilles location

The stale air exhaust system is used to draw air from the points in the house where the worst air quality problems occur. It is recommended that return air ducts be installed in the bathroom, kitchen, and laundry room. Additional return air ducts from strategic locations may be installed. The furnace return duct may also be used to exhaust from. In this method, the exhaust air is not ducted back from bathrooms, kitchens, etc to the FAA with “dedicated lines”.



**As per building codes and installation requirements for combustion appliances:
Air return ducts, or openings for air return, should not be placed in enclosed spaces containing combustion appliances that are subject to spillage.**

FAA installation



- Have a nearby power supply (120 volts, 60Hz)
- Choose a location which allows the possibility of mounting the unit to supporting beams.
- To minimize noise, do not install unit in living area

LOCATION

The FAA must be located in a conditioned space where it will be possible to conveniently service the unit. Typically the FAA would be located in the mechanical room or an area close to the outside wall where the weatherhoods will be mounted. If a basement area is not convenient or does not exist, a utility room may be used.

Attic installation must meet the following conditions:

- Attic temperature must be above freezing conditions at all times and for best performance should be 12°C (54 °F).
- The condensate drain (if included) must be installed so that the condensate drains and is protected from freezing.
- The attic is easily accessible for equipment maintenance and inspection.

Connecting appliances to the FAA is not recommended. These include:

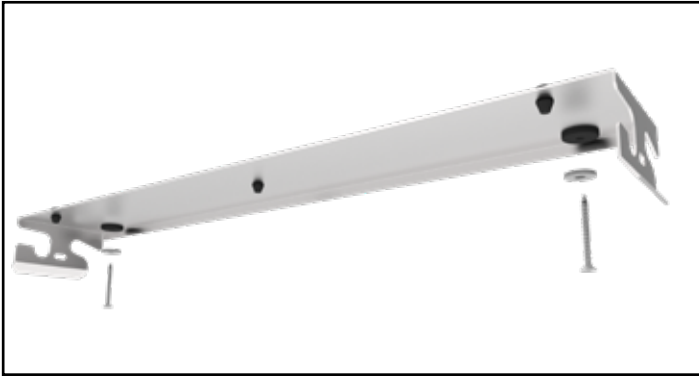
- Clothes dryer
 - Range top
 - Stovetop fan
 - Central vacuum system
 - Bathroom exhaust fans unless they are specifically designed for this purpose
- These appliances may cause lint, dust or grease to collect in the FAA, damaging the unit.



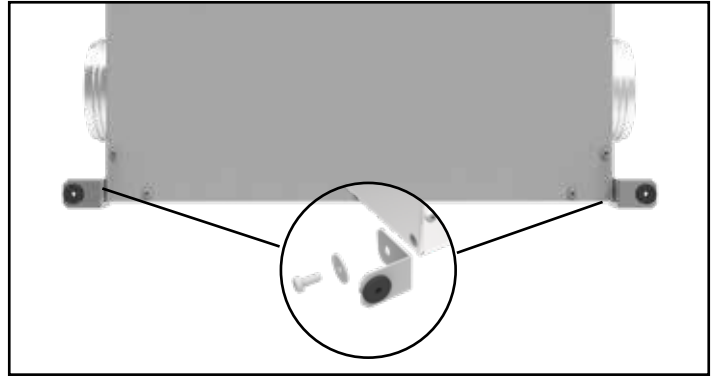
Connecting any of these types of appliances to the FAA will void your warranty.

Mounting

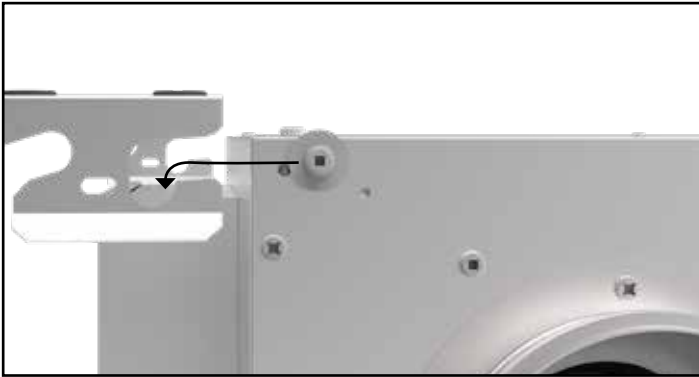
CEILING INSTALLATION



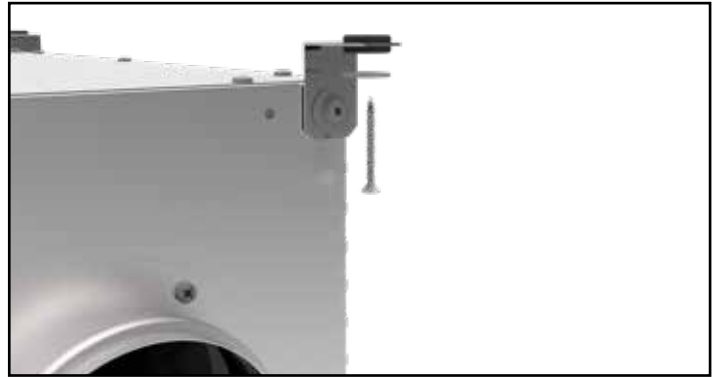
1 Using the screw with washer mount the mounting bracket through the rubber insulator. Ensure the bracket is straight.



2 Using the screw with washer mount the brackets at the bottom of the unit.



3 Slide the unit the bracket as shown above.



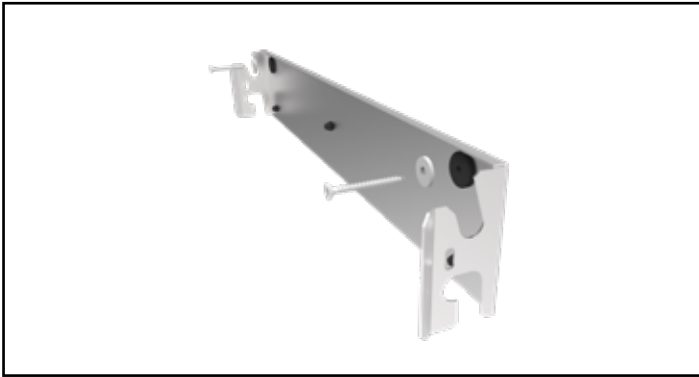
4 Secure both side of the unit using the same method as step 1.



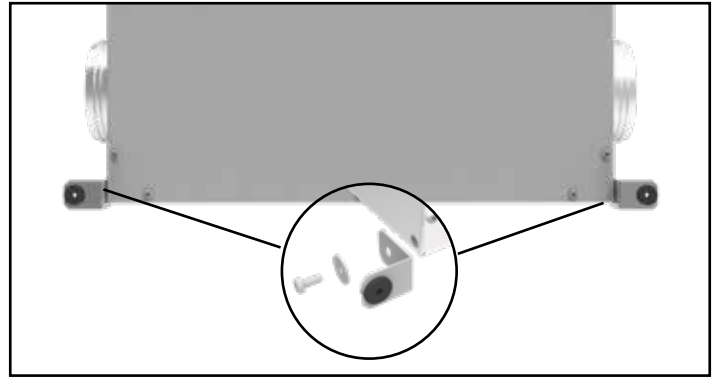
We recommend placing the duct on the unit at this stage of the unit's installation.

Mounting

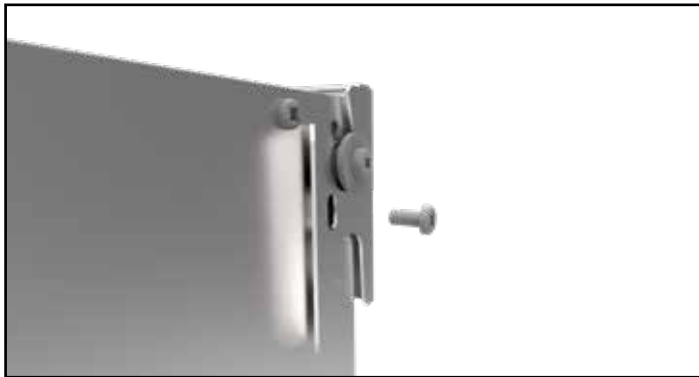
WALL INSTALLATION



1 Using the screw with washer mount the mounting bracket through the rubber insulator. Ensure the bracket is straight.



2 Using the screw with washer mount the brackets at the bottom of the unit.



3 Slide the unit in the bracket and secure with setting screw.

Airflow adjustment & balancing



BALANCING THE AIRFLOWS IS CRUCIAL TO ENSURE OPTIMAL OPERATION OF THE UNIT. IF THE AIRFLOW IS NOT PROPERLY BALANCED, THE FOLLOWING ISSUES MAY OCCUR:

- SIGNIFICANT POSITIVE OR NEGATIVE PRESSURE INSIDE THE HOUSE
- UNIT'S EFFICIENCY MAY BE NEGATIVELY AFFECTED
- UNIT'S DEFROST MAY NOT WORK EFFECTIVELY
- CAN LEAD TO AIR LEAKS OR BACKDRAFTING OF ANY COMBUSTION APPLIANCES.

The airflow adjustment and balancing procedure consists of adjusting the fresh airflow to make sure it meets the requirements for the building and then balance the system to make sure there is an equal amount of stale air being exhausted. In the case that the airflow is not exactly the same, it is recommended to have a higher stale airflow of up to 10% in colder climates to ensure that the temperature of the fresh airflow coming from the outside is as close to the room temperature as possible.

GENERAL PREPARATION:

Before performing the adjustment and balancing for unit, make sure to check the following:

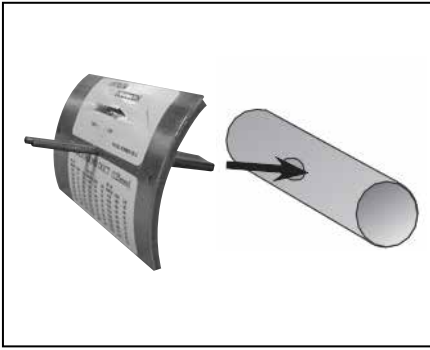
- Seal all the ductwork
- Fully open all dampers (if present)
- Turn off all other exhaust appliances such as range hood, dryers, bathroom fans, etc.
- If performing balancing during cold weather, make sure the unit is not operating in defrost mode.
- If the installation type is Simplified or Partially Dedicated, make sure that the furnace/air handler blower is operating at normal speed during the balancing sequence.
- When reading with a mechanical type manometer (Magnehelic), make sure the manometer is placed on a level surface

For optimal performance, FAA unit should be re-balanced after a major renovation or after the installation of extra grilles or registers.



- In cold climates, continuous excessive positive pressure inside the house may drive moisture inside the external walls of the house. Moisture present inside the external wall may condense if the outside temperature is cold enough and can cause damage to structural components. A symptom of excessive positive pressure inside a house is frozen door locks.
- Continuous excessive negative pressure can have undesirable effects. In some geographic locations, negative pressure can increase the infiltration of soil gases such as methane and radon. Negative pressure is also undesirable where combustion equipment is present and may cause back drafting of the combustion gases.

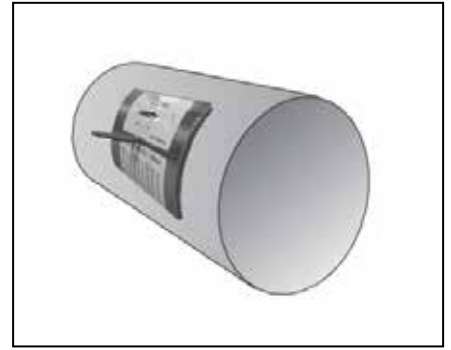
Measuring the airflow using station (grid) method



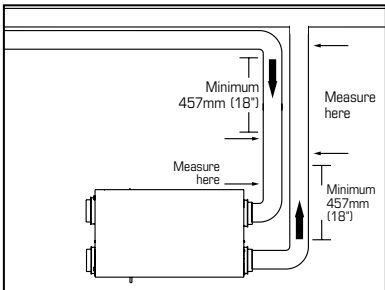
1 Cut hole in duct and insert flow measuring station. Make sure that the flow measuring station's air direction arrow points in the direction of the airflow. Secure the flow measuring station with aluminum foil tape.



2 Before taking the reading, make sure that the magnehelic gauge is level and at 0. Refer to the flow measuring station's chart to determine your unit's airflow velocity.



3 Adjust the "Supply Air Out" damper until you reach the desired velocity. Follow steps 1-3 to adjust the "Exhaust Air Out" damper, if needed.



- To avoid airflow turbulence and incorrect readings, the airflow velocity should be measured on a section of steel ducting. Reading should also be taken at a minimum distance of 457 mm (18") from the unit or elbow. Measurement should also be made prior to any transition in the duct work so entire airflow is measured.

WALL CONTROLS

* Please see instruction manuals for individual controls for proper wiring and set up of control systems.



1. Ensure that unit is not plugged when connecting the control
2. Recirculation mode is only available with the Flex100H ES, HERO series and the models with the "R" suffix at the end of the model number.


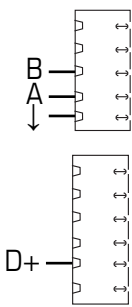




The wiring connectors can be removed for easier connection.




CENTRAL CONTROLS

These cannot be used with another central control

*Maintain polarity between control and HRV (+ → + ; - → -)






ECO SERIES*	FEATURES	CONNECT TO
ECO-Touch® 	<ul style="list-style-type: none"> • Our most complete, yet easy-to-use control system • Sleek design with backlight touchscreen LCD • ECO mode selects the best operating mode and speed for the season, minimizing energy use associated with ventilation • Set preferred indoor relative humidity range and ventilation mode for day and night conditions • No battery to replace, all programmed settings are retained during power outages • Maintenance reminder indicator • Error code messages reduce troubleshooting time 	
ECO-Touch® IAQ 	<ul style="list-style-type: none"> • Integrated VOC Sensor • Our most complete, yet easy-to-use control system • Sleek design with backlight touchscreen LCD • ECO mode selects the best operating mode and speed for the season, minimizing energy use associated with ventilation • Set preferred indoor relative humidity range and ventilation mode for day and night conditions • No battery to replace, all programmed settings are retained during power outages • Maintenance reminder indicator • Error code messages reduce troubleshooting time 	
ECO-Feel™ 	<ul style="list-style-type: none"> • ECO mode selects the best operating mode and speed for the season, minimizing energy use associated with ventilation • Integrated VOC Sensor • No battery to replace, all programmed settings are retained during power outages 	



WALL CONTROLS (CONT'D)

EDF SERIES	FEATURES	CONNECTS TO
EDF8 	<ul style="list-style-type: none"> • MODE button provides 3 modes of operations: Ventilation , Recirculation and Standby • User selected fan speed: Reduced, Medium, Normal and 20 minutes per hour • AUTO setting allows the homeowner to deactivate the dehumidistat • When the humidity exceeds the desired setpoint, the ventilation system operates at normal speed • Once the desired humidity level is achieved, your ventilation system resumes to its previous mode of operation. 	 W — W —
EDF3 	<ul style="list-style-type: none"> • Press button once for ECONO mode: continuous low or medium speed. • Press button twice for 20 MIN/H mode: the unit will cycle 20 minutes ON/40 minutes OFF at intermittent speed and repeat. • Press button three times for CONT mode: the unit will run continuously in ventilation or recirculation on HIGH speed. 	

AUXILIARY CONTROL –These controls can be paired with central controls or combined together.

*Maintain polarity between control and HRV (+ → + ; - → -)

RTS SERIES	FEATURES	CONNECTS TO
	<ul style="list-style-type: none"> • Wireless timer • Can only be paired with the ECO-Touch IAQ • 20/40/60 minute timer with LED light • Boosts system to high speed with the touch of a button • Up to 5 can be used in one system • Use in bathroom, kitchen, laundry room 	Connects wirelessly to the 
RTS2* 	<ul style="list-style-type: none"> • 20- minute timer with LED light • Boosts system to high speed with the touch of a button • Up to 5 can be used in one system • Use in bathroom, kitchen, laundry room 	 +T — -T —
RTS5* 	<ul style="list-style-type: none"> • 20/40/60 minute timer with LED light • Boosts system to high speed with the touch of a button • Up to 5 can be used in one system • Use in bathroom, kitchen, laundry room 	

MDEH SERIES	FEATURES	CONNECT TO
MDEH1 	<ul style="list-style-type: none"> • Rotary dial Dehumidistat • Multiple units can be used • We recommend setting the relative humidity above 80% during the summer 	 D — D —

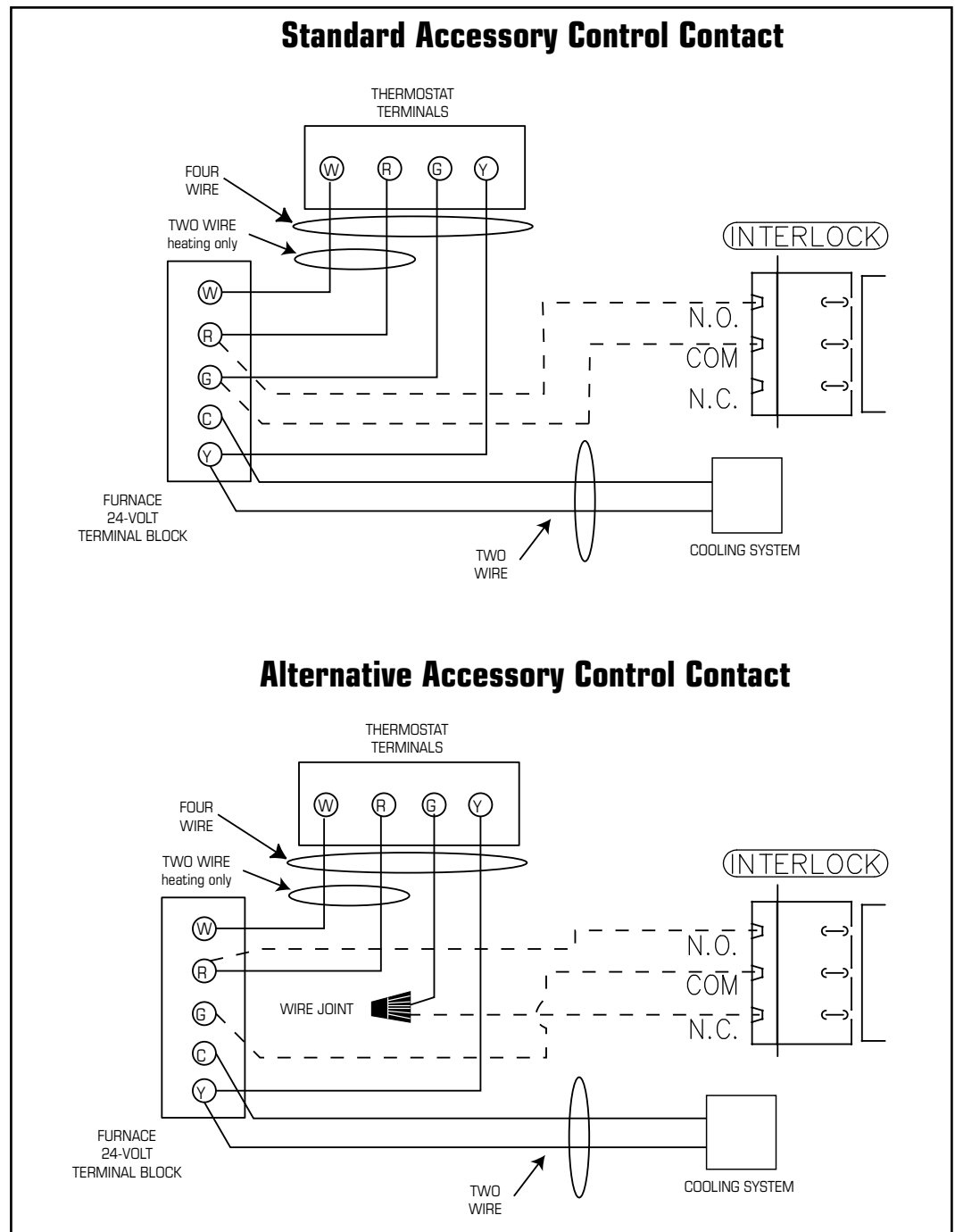
Wiring diagram (CONT'D)

WIRING DIAGRAM TO FURNACE



FOR A FURNACE CONNECTION TO A COOLING SYSTEM:

On some newer furnaces and older thermostats, energizing the R and G terminal at the furnace has the effect of energizing the Y at the thermostat and thereby turning on the cooling system. If you identify this type of thermostat, you must use the "Alternate Furnace Interlock Wiring"



As per building codes and installation requirements for combustion appliances:
Air return ducts, or openings for air return, should not be placed in enclosed spaces containing combustion appliances that are subject to spillage.

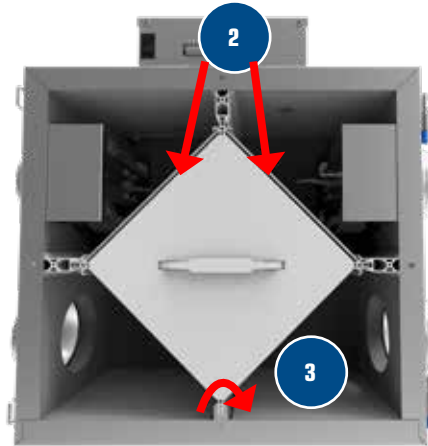
Troubleshooting

Problem	Causes	Solutions
Air is too dry	Dehumidistat control is set too low	Increase the desired level of humidity. Change ventilation mode from continuous mode to standby.
	FAA out of balance	Have contractor balance FAA airflows
Air is too humid	Dehumidistat control is set too high	Reduce the desired level of humidity. Combine this with the use of continuous exchange mode.
	Sudden change in temperature	Wait until outside temperature stabilizes (winter). Heating will also improve situation.
	Storing too much wood for heating	Store a majority of your wood outside. Even dried, a cord of wood contains more than 20 gallons of water.
	Dryer vent exhaust is inside home	Make sure the dryer vent is exhausting outside.
	Poor air circulation near windows	Open curtains or blinds.
	FAA out of balance	Have contractor balance FAA airflows
	Well sealed basement door is closed	Open the door or install a grill on the door.
Persistent condensation on window	Improper adjustment of dehumidistat control	Reduce the desired level of humidity. Combine this step with use of continuous exchange mode.
	FAA out of balance	Have contractor balance FAA
	Poor air circulation near windows	Open curtains or blinds.
Poor Air Flows	1/4" (6mm) mesh on the outside hoods is plugged	Clean exterior hoods or vents
	Filters plugged	Remove and clean filter
	Core obstructed	Remove and clean core
	Indoor grilles closed or blocked	Check and open grilles
	Inadequate power supply at site	Have electrician check supply voltage
	Ductwork is restricting airflow	Check duct installation
	Improper speed control setting	Increase the speed of the FAA (i.e. change unit control from REDUCED to NORMAL speed)
	FAA airflow improperly balanced	Have contractor balance FAA airflows
Supply air feels cold	Ducting has fallen down or been disconnected from FAA	Have contractor reconnect ducting
	Poor location of supply grilles, the airflow may irritate the occupant	Locate the grilles high on the walls or under the baseboards, install ceiling mounted diffuser or grilles so as not to directly spill the supply air on the occupant (eg. Over a sofa) Turn down the FAA supply speed. A small duct heater (1kw) could be used to temper the supply air Placement of furniture or closed doors is restricting the movement of air in the home
FAA and/or Ducts frosting up	Outdoor temperature extremely cold	If supply air is ducted into furnace return, the furnace fan may need to run continuously to distribute ventilation air comfortably
	FAA air flows are improperly balanced	Have HVAC contractor balance the FAA airflows
Condensation or Ice Build Up in Insulated Duct to the Outside	Malfunction of the FAA defrost system	Note: minimal frost build-up is expected on cores before unit initiates defrost cycle functions
	Incomplete vapor barrier around insulated duct	Tape and seal all joints
LED is flashing	A hole or tear in outer duct covering	Tape any holes or tears made in the outer duct covering Ensure that the vapor barrier is completely sealed.
	Everything is in good operation	
	No power is being transmitted to the Control Board	Make sure unit is plugged in. Transformer may need replacing

Note: It is best to get the unit checked by a certified HVAC Contractor/Technician.

Filters and FAA core washing instructions

For proper maintenance of your energy recovery core please follow these instructions



1 To remove the door, remove locking screw and washer on the side of the unit.

2 Remove both filters. Wash filters in warm soapy water then rinse and let dry.

3 Rotate the metal plate holding the FAA core in place.

4 Remove the core from the unit.

5 With one of your core's air inlets facing down, place it in a large sink, bathtub, or shower.

6 Pour clean tap water through the face of the core facing upwards until it runs clear. Ensure the entire surface is rinsed.

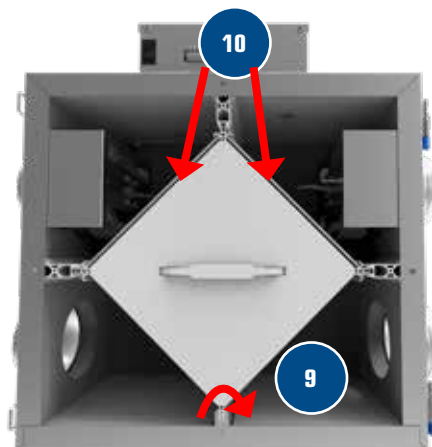
7 Rotate the core so that its other air inlet is facing down and repeat step 5.

8 With plates still oriented vertically allow the core to dry, normally 2-3 hours.

9 Slide back the core into the system making sure that the arrow points to the motors. Rotate the metal plate holding the FAA Core in place.

10 Replace the filter.

11 Close door and secure with locking screw and washer.

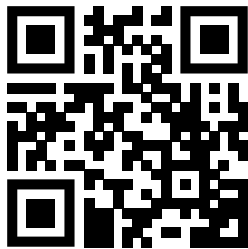


FAA maintenance chart

Maintenance Required	Recommended Frequency	Date Maintenance Performed						
Check and Clean Filters	Every 3 months or if dirty							
Check Energy Recovery Core	Every 6 months							
Check Drain Pan and Lines	Every 3 months							
Vacuum the Inside of the Unit	Annually							
Clean and Un-block Outside Hoods	Annually							
Clean and Inspect Duct Work	Annually							
General Servicing by a Qualified Contractor	Annually							

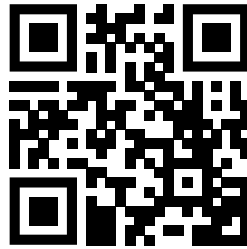
* Schedule may be altered to meet your own needs. More frequent servicing may be required depending on the severity of your home's indoor and outdoor environments.

Contractor	Telephone Number	Date Serviced



Make a scan of the QR code above to access Fantech's warranty in English, French, or Spanish. Includes a 7y Motor, 5y on Electrical components and Core limited warranty.

If additional support is needed to retrieve the warranty, visit fantech.net; call (800) 747-1762 (US), (800) 565-3548 (Canada), or +52 55 1328-7328 (Latin America); email support@fantech.net; or mail us at 10048 Industrial Blvd, Lenexa, KS 66215 United States or at 50 Kanalläkt Way, Bouctouche, NB E4S 3M5 Canada.



Scannez le code QR ci-dessus pour accéder à la garantie de Fantech en anglais, français ou espagnol. Garantie limitée du Moteur 7 ans, composants électriques et noyau 5 ans incluse.

Si vous avez besoin d'une assistance supplémentaire pour récupérer la garantie, visitez fantech.net; appelez au (800) 747-1762 (États-Unis), (800) 565-3548 (Canada) ou +52 55 1328-7328 (Amérique latine); envoyez un courriel à support@fantech.net; ou envoyez-nous un courrier à 10048 Industrial Blvd, Lenexa, KS 66215 États-Unis ou à 50 Kanalläkt Way, Bouctouche, NB E4S 3M5 Canada.

Manuel d'installation, de fonctionnement et de maintenance

FIT[®] 70E

Appareil d'air frais (AAF/VRE)



PIÈCES DANS LA BOÎTE

Ventilateur récupérateur d'énergie Fit70E, 1 pc

Support muraux, 1 pc

Équerre d'assemblage, 2 pcs

Faisceau de câbles de clapet externe, 1 pc

Manuel d'installation, 1 pc



Votre système de ventilation doit être installé conformément aux exigences de la province où vous habitez ou, à défaut de telles exigences, conformément à l'édition actuelle du Code national du bâtiment du Canada ou aux « méthodes d'ingénierie appropriées » de l'ASHRAE.

United States

10048 Industrial Blvd., Lenexa, KS, 66215

Tél.: 800.747.1762 • Fax: 800.487.9915






Canada

50 Kanalfakt Way, Bouctouche, NB, E4S 3M5

Tél.: 800.565.3548 • Fax: 877.747.8116

Fantech se réserve le droit de modifier partiellement ou entièrement, en tout moment et sans préavis, les caractéristiques, la conception, les composants et les spécifications de ses produits, afin de conserver sa position de leader de technologie.

S'il vous plaît visitez notre site www.fantech.net pour des informations techniques plus détaillées.

				
Note	Avertissement/ Note importante	Information	Information technique	Conseil pratique



VEUILLEZ LIRE ET CONSERVER CES INSTRUCTION

À fin d'installation résidentielle seulement

Avant de procéder à l'installation, examinez avec soin la façon dont le système fonctionnera s'il est relié à tout autre appareil mécanique, notamment une fournaise à air pulsé ou un appareil de traitement d'air dont la pression statique est plus élevée. Une fois l'installation terminée, la compatibilité des deux appareils doit être confirmée en mesurant le débit d'air du Appareil d'air frais (AAF) au moyen de la procédure d'équilibrage du présent manuel. Il importe de toujours évaluer l'interaction du AAF avec les appareils de chauffage à évacuation (fournaise à gaz, fournaise à mazout, poêle à bois, etc.)

Systèmes de ventilation résidentiels AAF ne sont pas adaptés pour les applications de la piscine ou spa.



Les produits sont conçus et fabriqués pour fournir une performance fiable, mais ils ne sont pas garantis à 100% sans défaut. Même les produits ont des pannes occasionnelles et cette possibilité devrait être reconnue par l'utilisateur. Si ces produits sont utilisés dans un système de ventilation qui maintien des fonctions vitales où une défaillance pourrait entraîner des pertes ou des blessures, l'utilisateur doit fournir une ventilation de secours adéquate, une ventilation supplémentaire naturelle, un système d'alarme de défaillance ou d'accepter les risques de pertes ou de blessures.

Votre système de ventilation doit être installé en conformité avec le code du bâtiment local qui est en vigueur, en l'absence de telles exigences, il est recommandé de vérifier auprès des autorités locales ayant juridiction dans votre région avant d'installer ce produit.

TABLE DES MATIÈRES

DÉTERMINER VOS BESOINS DE VENTILATION	26
EXEMPLES D'INSTALLATION	
Système entièrement spécialisé	27
Système partiellement spécialisé	28
Installation simplifiée	29
INSTALLATION DES CONDUITS EXTÉRIEURS	
Emplacement des hottes	31
Installation de l'ensemble des conduits avec hottes	31
INSTALLATION DES CONDUITS INTÉRIEURS	
Conseils pratiques	32
Installation des conduits sur le AAF	32
Emplacement des grilles d'approvisionnement et d'évacuation	32
INSTALLATION DU AAF	33
Installation au plafond	34
Installation murale	35
ÉQUILIBRAGE DU DÉBIT D'AIR	
Préparation générale	36
Étapes de balancement	37
COMMANDES MURALES	38
SCHÉMAS ÉLECTRIQUES	39
DÉPANNAGE	42
INSTRUCTION DE NETTOYAGE DU NOYAU RÉCUPÉRATEUR D'ÉNERGIE	43
TABLEAU D'ENTRETIEN DU AAF	44

DÉTERMINER VOS BESOINS DE VENTILATION

Méthode compte de pièces

Liste des pièces	Nombre de pièces	Pi ³ /min (L/s)	PCM Required
Chambre principale		x 10 L/s (20 pi ³ /min)	=
Sous-sol	oui ou no	Si oui, ajoutez 10 L/s (20 pi ³ /min) Sinon = 0	=
Chambre à coucher		x 5 L/s (10 pi ³ /min)	=
Salon		x 5 L/s (10 pi ³ /min)	=
Autres		x 5 L/s (10 pi ³ /min)	=
Cuisine		x 5 L/s (10 pi ³ /min)	=
Salle de bain		x 5 L/s (10 pi ³ /min)	=
Buanderies		x 5 L/s (10 pi ³ /min)	=
Lingerie		x 5 L/s (10 pi ³ /min)	=
Ventilation total nécessaire (La somme des chiffres de la dernière colonne)			=

1 pi³/min = 0.47 L/s
1 L/s = 2.13 pi³/min

Méthode ASHRAE

Débit d'air recommandé

Superficie		Chambre à coucher									
Ft ²	m ²	1		2		3		4		5	
		Pi ³ /min	L/s	Pi ³ /min	L/s	Pi ³ /min	L/s	Pi ³ /min	L/s	Pi ³ /min	L/s
<500	<47	30	128	38	18	45	21	53	25	60	28
205-1000	47-93	45	21	53	24	60	28	68	31	75	35
1001-1500	94-139	60	28	68	31	75	35	83	38	90	42
1501-2000	140-186	75	35	83	38	90	42	98	45	105	49
2001-2500	187-232	90	42	98	45	105	49	113	52	120	56
2501-3000	233-279	105	49	113	52	120	56	128	59	135	63
3001-3500	280-325	120	56	128	59	135	63	143	66	150	70
3501-4000	326-372	135	63	143	66	150	70	158	73	165	77
4001-4500	373-418	150	70	158	73	165	77	173	80	180	84
4501-5000	419-465	165	77	173	80	180	84	188	87	195	91

* ASHRAE 62.2-2016 Table 4.1, Ventilation and Acceptable Indoor Air Quality in Low-Rise Residential Buildings.



Salle de bain: Si le AAF fournit la ventilation d'échappement locale requise pour chaque salle de bain avec chacun un 20 PCM continue (10L/s), ce taux de ventilation peut être considéré comme faisant partie du débit de ventilation de tout le bâtiment.

Exemples d'installation

Exemple seulement - La configuration des conduits peut être différente selon le modèle.

SYSTÈME ENTIÈREMENT SPÉCIALISÉ (NOUVELLE CONSTRUCTION)

Installation suggéré pour:

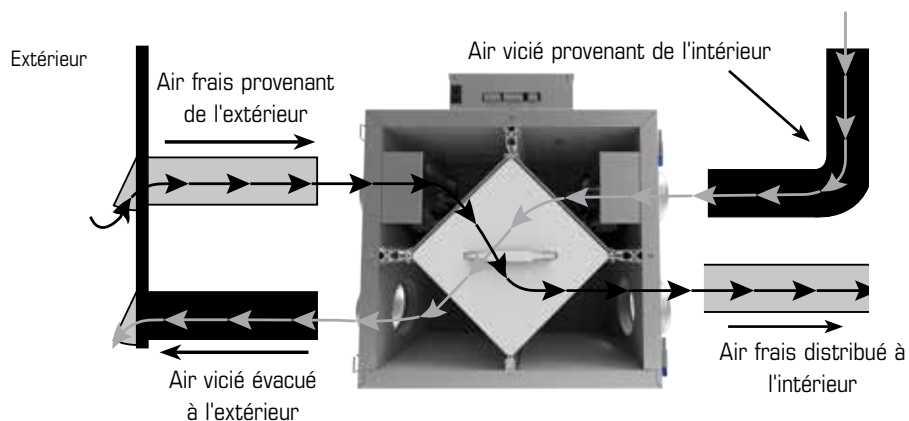
- Plinthe à eau chaude
- Chauffage de planché
- Plinthe électriques
- Thermopompe mural bibloc

Avantages: Fourni la meilleure répartition de l'air frais dans la maison; les coûts de fonctionnement plus faibles, puisque l'unité de traitement d'air/ fournaise n'est pas nécessaire



1. L'air vicié est aspiré à partir des endroits clés de la maison (salle de bains, cuisine, buanderie).
2. L'air frais est distribué parmi les pièces habitables (chambres à coucher, salon).
3. Le débit d'air du AAF doit être confirmé sur place au moyen de la procédure d'équilibrage du présent manuel d'installation.

* Les raccords de conduit peuvent être différents selon le modèle.



*L'appareil est équilibré à vitesse normale et pendant que le ventilateur de la fournaise est en marche.

Exemples d'installation (Suite)

RACCORDEMENT DIRECT du FLUX D'AIR D'APPROVISIONNEMENT à la BOUCHE DE REPRISE D'AIR DE LA FOURNAISE

(L'air vicié est aspiré à partir des endroits clés de la maison.)

SYSTÈME PARTIELLEMENT SPÉCIALISÉ



1. Si la ventilation du AAF doit être assurée, il peut être nécessaire de faire fonctionner le ventilateur de la fournaise. La fournaise devrait être réglée pour fonctionner continuellement ou en synchronisme avec le AAF. Voir connexion électrique de la fournaise à la page 41.
2. Air vicié est aspiré à des endroits clés de la maison (salle de bain, cuisine, buanderie).
3. L'air frais est fourni au plénum de retour d'air de la fournaise.
4. En raison de l'écart de pression entre le AAF et l'équipement auquel il est raccordé, le débit d'air du AAF doit être équilibré sur place au moyen de la procédure dans la section "équilibrage du débit d'air".

* Dans le cas d'un système multi-zone, s'il vous plaît contacter le service à la clientèle de Fantech avant d'installer tout type d'installation nécessitant l'utilisation synchronisé de la fournaise "

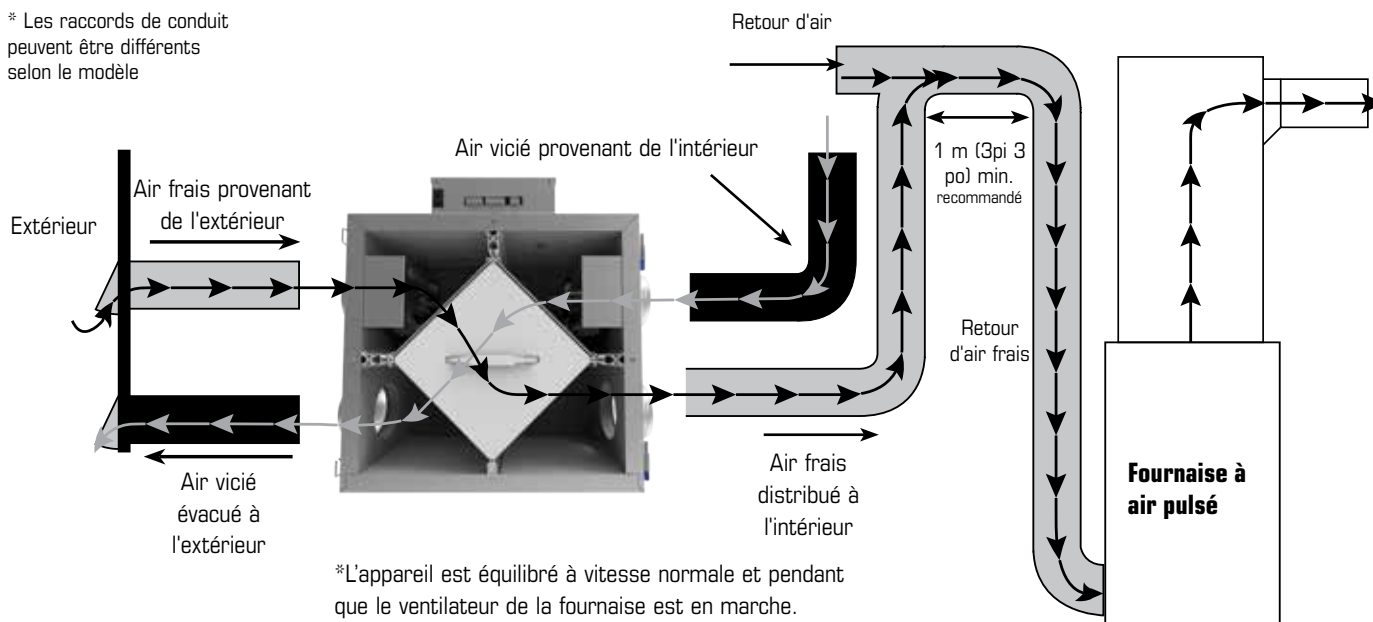
Installation suggérée pour:

- Fournaise centrale (unité de traitement d'air, air climatisé central)
- Lorsque l'installation des endroits habitable n'est pas possible ou pratique, dispendieux ou lorsque l'unité de traitement d'air fonctionnera toute l'année.

Avantages: Conditionne l'air frais avant de la distribuer dans la maison

Conduits AAF/Fournaise pour Système partiellement spécialisé

* Les raccords de conduit peuvent être différents selon le modèle



Pour les Appareils à Air Frais (AAF) qui ne comprennent pas un volet motorisé pour l'air extérieur: Si vous utilisez une installation partiellement spécialisée ou simplifiée, où le conduit d'alimentation d'air de l'AAF est relié au conduit de retour d'une fournaise, l'AAF doit fonctionner en continu. Lorsque l'AAF est éteint, l'air d'évacuation chaud ne circule pas à travers l'AAF mais le ventilateur de la fournaise continuera à aspirer l'air extérieur directement dans la fournaise. S'il fait froid dehors, l'air froid sera introduit, sans être réchauffé, directement dans la fournaise.

Si l'AAF est installé de manière à ce que le propriétaire puisse éteindre l'AAF pendant l'hiver, nous recommandons d'installer un volet d'arrêt mécanique entre l'air d'alimentation de l'AAF et le conduit d'air de retour de la fournaise qui se ferme lorsque l'AAF ne fonctionne pas. Pour installer un volet d'arrêt mécanique sur le produit, localisez le connecteur auxiliaire sur le côté du boîtier électrique. Voir Figure 1. À l'aide du faisceau de câbles inclus, connectez l'accessoire au produit



Figure 1

* Connecteur auxiliaire pour faisceau de câbles de clapet externe, moteur du clapet externe non inclus.

Exemples d'installation (Suite)

RACCORDÉMENT DIRECT du FLUX D'AIR D'APPROVISIONNEMENT et du FLUX D'AIR ÉVACUÉ DU AAF à la BOUCHE D'AIR DE LA FOURNAISE

INSTALLATION SIMPLIFIÉE (BONNE)



1. Si la ventilation du AAF doit être assurée, il peut être nécessaire de faire fonctionner le ventilateur de la fournaise. La fournaise devrait être réglée pour fonctionner continuellement ou en synchronisme avec le AAF. Voir connexion électrique de la fournaise à la page 41.
2. Une séparation minimum de 1 m (3pi 3po) est recommandée entre les deux connexions directes.
3. Afin d'éviter l'évacuation d'air frais, la connexion d'évacuation du AAF devrait être située en amont de la connexion d'alimentation du AAF lorsqu'on les branche à la bouche de reprise d'air de la fournaise.
4. En raison de l'écart de pression entre le AAF et l'équipement auquel il est raccordé, le débit d'air du AAF doit être équilibré sur place au moyen de la procédure détaillée dans la section "Équilibrage du débit d'air".

* Dans le cas d'un système multi-zone, s'il vous plaît contacter le service à la clientèle de Fantech avant d'installer tout type d'installation nécessitant l'utilisation synchronisée de la fournaise "

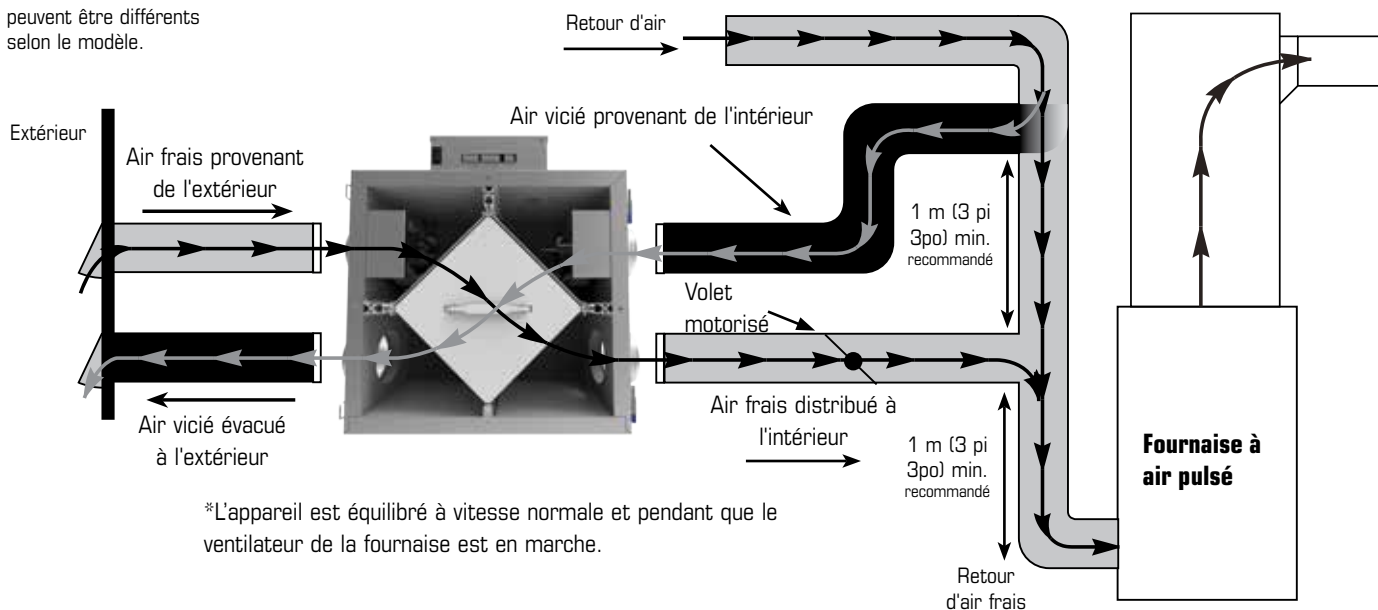
Installation suggérée pour:

- Lorsque la salle de bain et la cuisine ont déjà un système d'échappement
- Peut convenir pour la modernisation

Avantages: Type d'installation le moins dispendieux à mettre en place

Conduits AAF/Fournaise pour Installation simplifiée

* Les raccords de conduit peuvent être différents selon le modèle.



*L'appareil est équilibré à vitesse normale et pendant que le ventilateur de la fournaise est en marche.



Pour les Appareils à Air Frais (AAF) qui ne comprennent pas un volet motorisé pour l'air extérieur: Si vous utilisez une installation partiellement spécialisée ou simplifiée, où le conduit d'alimentation d'air de l'AAF est relié au conduit de retour d'une fournaise, l'AAF doit fonctionner en continu. Lorsque l'AAF est éteint, l'air d'évacuation chaud ne circule pas à travers l'AAF mais le ventilateur de la fournaise continuera à aspirer l'air extérieur directement dans la fournaise. S'il fait froid dehors, l'air froid sera introduit, sans être réchauffé, directement dans la fournaise.

Si l'AAF est installé de manière à ce que le propriétaire puisse éteindre l'AAF pendant l'hiver, nous recommandons d'installer un volet d'arrêt mécanique entre l'air d'alimentation de l'AAF et le conduit d'air de retour de la fournaise qui se ferme lorsque l'AAF ne fonctionne pas. Pour installer un volet d'arrêt mécanique sur le produit, localisez le connecteur auxiliaire sur le côté du boîtier électrique. Voir Figure 1. À l'aide du faisceau de câbles inclus, connectez l'accessoire au produit

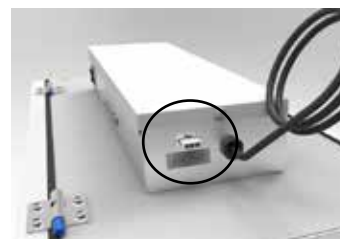


Figure 1

* Connecteur auxiliaire pour faisceau de câbles de clapet externe, moteur du clapet externe non inclus.

INSTALLATION DES CONDUITS EXTÉRIEURS

EMPLACEMENT DES HOTTES

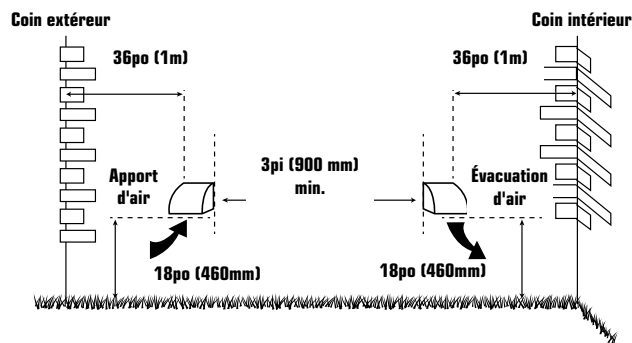
- Décidez de l'emplacement des hottes d'aspiration et d'évacuation.

Emplacement de la hotte d'aspiration

- Doit être située en amont de la sortie d'évacuation (en présence de vents dominants).
- Doit être située à une distance minimum de 900 mm (3 pi) de la hotte d'évacuation, des évents de la sécheuse et de l'évacuation de la fournaise à air pulsé (fournaise à moyen ou à haut rendement).
- Doit être montée à au moins 460 mm (18 po) au-dessus du sol ou au-dessus de la couche de neige prévue.
- Idéalement, gardez les hottes à 1 m (3 pi) des coins.
- Ne doit jamais être située dans un garage, un grenier, vide sanitaire ou sous un patio.

Emplacement de la hotte d'évacuation

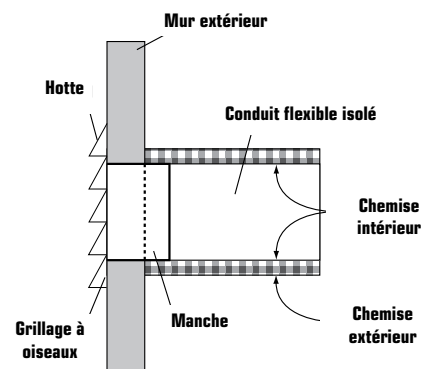
- Doit être située à au moins 2m (6 pi) de la prise d'air de ventilation.
- Doit être montée à au moins 460 mm (18 po) au-dessus du sol ou au-dessus de la couche de neige prévue.
- Idéalement, gardez les hottes à 1 m (3 pi) des coins.
- Ne doit pas être située à proximité d'un compteur de gaz, d'un compteur d'électricité ou d'une allée où le brouillard et la glace peuvent constituer un danger
- Ne doit jamais être située dans un garage, un atelier ou un espace non chauffé.



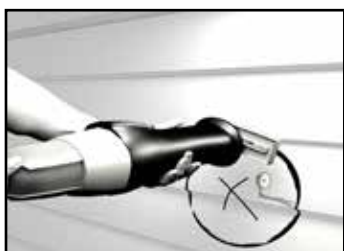
INSTALLATION DE L'ENSEMBLE DE CONDUITS AVEC LES HOTTES

Le rendement maximum du AAF est assuré par un ensemble de conduits d'évacuation de haute qualité technique qui est bien installé. Le revêtement intérieur des conduits flexibles isolés doit être encastré dans un manchon des hottes de protection contre les intempéries (aussi près que possible de l'extérieur) et dans l'orifice approprié du AAF. Assurez-vous que l'isolation demeure entièrement et qu'elle n'est pas écrasée. Le revêtement extérieur, qui joue le rôle de parevapeur, doit être complètement scellé sur le mur extérieur et le AAF à l'aide de ruban ou de produit de calfeutrage. Déposez un cordon de produit de calfeutrage de première qualité (du mastic d'isolation acoustique de préférence) pour sceller le conduit flexible intérieur à l'orifice du AAF et à la hotte de protection avant de procéder à l'encastrement. Pour réduire au minimum la restriction de débit d'air, le conduit flexible isolé qui relie les deux hottes de protection extérieures du AAF doit être bien tendu et le plus court possible. Des conduits tordus ou pliés réduisent fortement le débit d'air.

Reportez-vous aux exemples illustrés dans la section "Exemples d'installation"



ÉTAPES DE L'INSTALLATION DE LA HOTTE:



- 1 Tracez le contour du collet de la hotte externe pour découper les trous d'aspiration et d'évacuation. Le diamètre des trous doit être un peu plus grand que celui du collet, pour tenir compte de l'épaisseur du conduit flexible isolé. Percez un trou pour la hotte d'aspiration et un trou pour la hotte d'échappement



- 2 Faites passer le conduit flexible isolé dans l'ouverture jusqu'à ce qu'il soit bien tendu et droit. Faites glisser le manchon en vinyle interne du conduit sur le collet avec l'isolation et placez le parevapeur sur le manchon. Fixez à l'aide de ruban adhésif en toile.



- 3 Enfoncez la hotte dans l'ouverture. Fixez la hotte sur le mur extérieur en utilisant des vis de montage. Répétez la procédure d'installation pour la hotte d'aspiration et la hotte d'évacuation.



- 4 À l'aide d'un pistolet à calfeutrer, calfeutrez les deux hottes pour empêcher les fuites.

Installation des conduits intérieurs



- Pour maximiser le débit d'air dans le réseau de conduits, assurez-vous que tous les conduits sont le plus court et le plus droit possible.
- Il est préférable d'utiliser des coudes de 45 degrés plutôt que des coudes de 90 degrés.
- Dans la mesure du possible, utilisez des raccords en Y plutôt que des raccords en T.
- Pour éviter les fuites, fixez tous les joints des conduits en utilisant des vis ou un produit d'étanchéité pour conduits puis recouvrez-les d'un ruban adhésif en toile de qualité.
- Dans la mesure du possible, utilisez un ensemble de conduits galvanisés entre le AAF et les pièces d'habitation de la maison; il est également possible d'utiliser des conduits flexibles en modération.
- Pour éviter que le bruit ne se propage dans le réseau de conduits, reliez le AAF au réseau de conduits d'aspiration/d'évacuation par un court conduit flexible isolé non métallique (environ 300 mm [12 po]).
- Les conduits principales d'alimentation et de retour de AAF doivent avoir le même diamètre ou plus grand que les connexion.
- Les branchements qui aboutissent dans chaque pièce peuvent mesurer aussi peu que 100 mm (4 po).

Installation des conduits sur le AAF

Le collet est muni de crochets afin d'éviter le glissement du conduit flexible. Pour installer le conduit flexible, faites le glisser sur le collet et au-dessus des crochets. Ensuite, installez un attache câble par-dessus le conduit flexible afin de prévenir des fuites entre le conduit et le collet.



* Les colliers peuvent différer selon l'unité.

Dans le cas d'un conduit galvanisé, faites le glisser sur le collet, vissez en place et scellez le.

Emplacement des grilles d'approvisionnement

Dans les maisons non munies d'une fournaise à air pulsé, il faut distribuer de l'air frais dans toutes les pièces d'habitation, y compris les chambres à coucher. L'air devrait provenir de la partie supérieure d'un mur ou du plafond. Il est recommandé d'utiliser des grilles qui distribuent l'air confortablement.

Dans les maisons pourvues d'une fournaise à air pulsé, il est possible de relier le AAF au réseau de conduits de la fournaise.

Emplacement des grilles d'évacuation

Le système d'évacuation de l'air vicié sert à aspirer l'air des endroits de la maison où la qualité d'air est la moins bonne. Il est recommandé d'installer les conduits de retour d'air dans la salle de bains, la cuisine et la buanderie. Il est également possible d'installer des conduits supplémentaires de retour d'air dans des endroits stratégiques. Le conduit de retour de la fournaise peut également servir de conduit d'évacuation. Ainsi, l'air évacué des salles de bain, cuisine, etc. ne retourne pas au AAF par des «conduits spécialisées».



Selon les codes du bâtiment et les codes d'installation des appareils de combustion, il est interdit de poser des grilles de reprise d'air ou de percer une ouverture pour une prise d'air dans une pièce close où se trouvent des appareils à combustion sujets à des déversements.

Installation du AAF



- Assurez-vous d'avoir une source d'alimentation près. (120 volts, 60Hz)
- Choisissez un emplacement où il y a possibilité de montage à des poutres de support.
- Afin de minimiser le bruit, ne pas installer l'appareil à un endroit habitable.

EMPLACEMENT

Le AAF doit être situé dans un endroit chauffé où il sera possible d'en effectuer l'entretien convenablement. Généralement, le AAF doit être situé dans la chambre des appareils mécaniques ou à proximité. S'il n'y a pas de sous-sol ou si le sous-sol ne convient pas, il est possible d'installer l'appareil dans la lingerie ou dans la buanderie.

Installation dans un grenier doit remplir les conditions suivantes:

- La température du grenier doit être soit au-dessus des conditions de gel en tout temps et pour une meilleure performance devrait être 12°C (54 °F).
- L'évacuation des condensats (si inclus) doit être installé de telle sorte que les drains de condensat est protégé contre le gel.
- Le grenier est facilement accessible pour l'entretien du matériel et de l'inspection

Il n'est pas recommander de raccorder des appareils électroménagers au AAF, notamment:

- Sécheuse de linge;
- Table de cuisson;
- Ventilateur de cuisinière;
- Système d'aspirateur central.

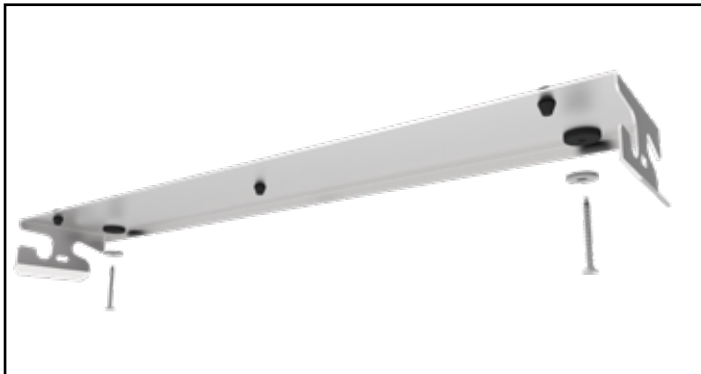
Ces électroménagers peuvent entraîner l'accumulation de charpie, de poussière ou de graisse dans le AAF et l'endommager.



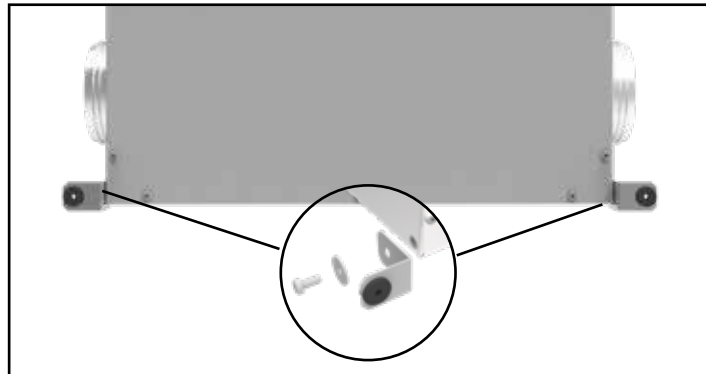
Le raccordement de n'importe quel type d'appareils électroménagers au AAF annule la garanti

Montage

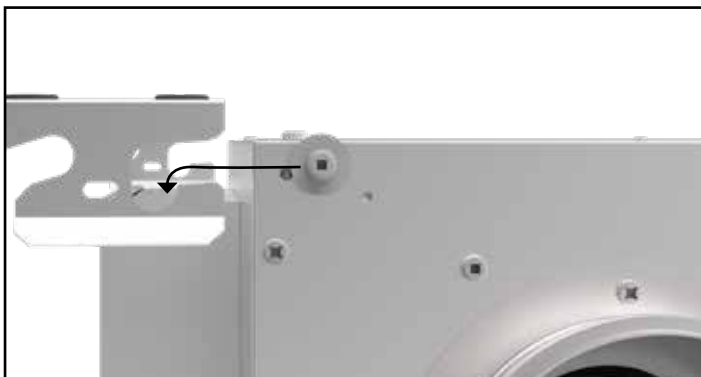
INSTALLATION AU PLAFOND



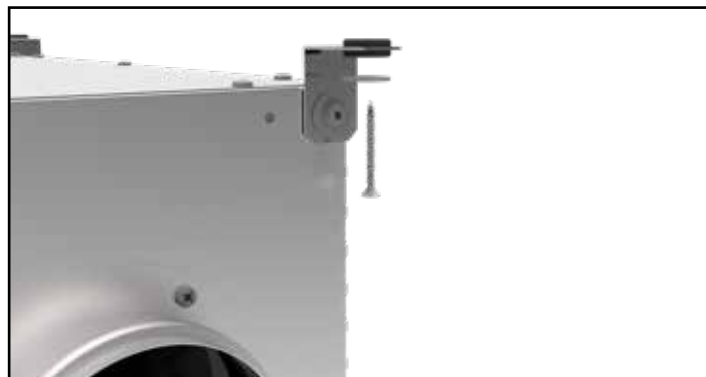
1 À l'aide de la vis avec rondelle, montez le support de montage à travers l'isolant en caoutchouc. Assurez-vous que le support est droit.



2 À l'aide de la vis avec rondelle, montez les supports au bas de l'unité.



3 Faites glisser l'unité sur le support comme indiqué ci-dessus.



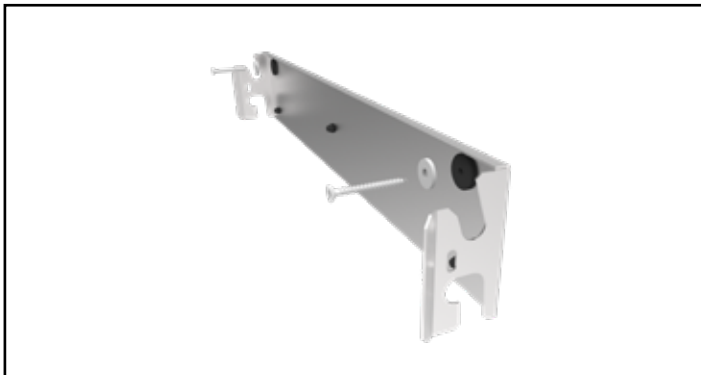
4 Fixez les deux côtés de l'unité en utilisant la même méthode qu'à l'étape 1.



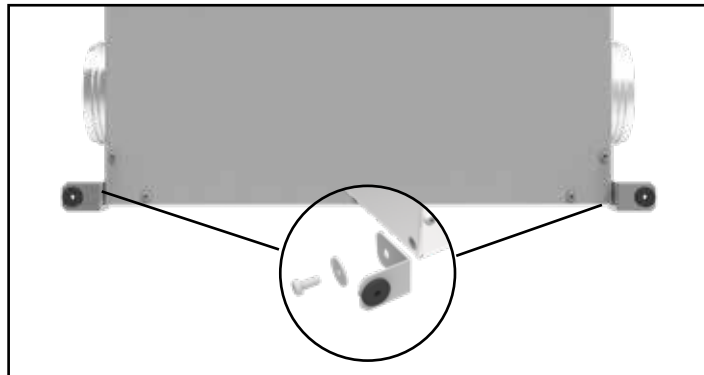
Nous vous recommandons de placer le conduit sur l'unité à ce stade de l'installation de l'unité.

Montage

INSTALLATION MURALE



1 À l'aide de la vis avec rondelle, montez le support de montage à travers l'isolant en caoutchouc. Assurez-vous que le support est droit.



2 À l'aide de la vis avec rondelle, montez les supports au bas de l'unité.



3 Faites glisser l'unité dans le support et fixez-la avec la vis de réglage.

Équilibrage du débit d'air



SI LES FLUX D'AIR DE L'APPAREIL NE SONT PAS CORRECTEMENT ÉQUILIBRÉS...

- L'EFFICACITÉ DE L'APPAREIL PEUT ÊTRE RÉDUITE.
- DES DOMMAGES AU NOYAU DE RÉTABLISSEMENT DE LA CHALEUR PEUVENT SURVENIR.
- UN REFOULEMENT DE L'AIR DANS VOS APPAREILS DE CHAUFFAGE À COMBUSTION
- LE DÉGIVRAGE DE L'APPAREIL PEUT NE PAS FONCTIONNER.

Le procédé d'équilibrage consiste de mesurer l'air d'échappement partant du système et l'air d'approvisionnement entrant dans le système et d'assurer que ces deux sont égaux. Dans ces cas où il y a une déviation, on recommande d'avoir une plus grande quantité d'air d'échappement soit jusqu'à 10% pour s'assurer que la température de l'air introduite dans la maison est la plus près possible de celle qui est déjà présente.

PRÉPARATION GÉNÉRALE:

Avant d'équilibrer l'appareil, assurez-vous de vérifier les points suivants:

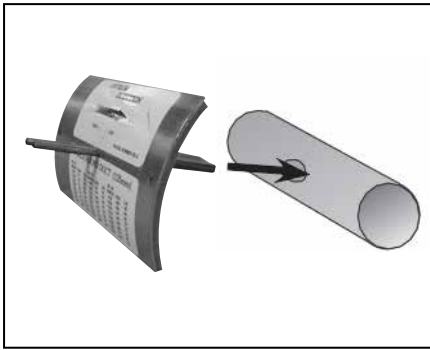
- Scellez tous les conduits
- Ouvrez complètement les registres d'équilibrage (si présents)
- Éteignez tous les appareils d'évacuation tels que hotte de cuisinière, sècheuse, ventilateur de salle de bain, etc.
- Si vous effectuez l'équilibrage pendant une saison froide, assurez-vous que l'appareil ne fonctionne pas en mode de dégivrage
- Si le type d'installation est Simplifié ou partiellement Simplifié, assurez-vous que le ventilateur de la fournaise opère durant la procédure de balancement
- Lors de la lecture avec un manomètre analogique (Magnehelic), assurez-vous que le manomètre est placé sur une surface plane.

Afin d'assurer une performance optimal, le AAF devrait être rééquilibré après toute rénovation majeure ou après l'ajout de nouveaux conduits.



- Dans les endroits froids, la continuelle pression positive excessive à l'intérieur de la maison peut chasser l'humidité à l'intérieur des murs extérieurs de la maison. L'humidité présente à l'intérieur de la paroi externe peut se condenser si la température extérieure est assez froide et peut causer des dommages aux composants structuraux. Un symptôme de la pression positive excessive à l'intérieur d'une maison est des serrures gelées.
- La continuelle pression négative excessive peut avoir des effets indésirables. Dans certaines régions, la pression négative peut augmenter l'infiltration de gaz à effet de sol tels que le méthane et de radon. Une pression négative est également indésirable où l'équipement de combustion est présent et peut causer des refoulements de la réaction des gaz de combustion.

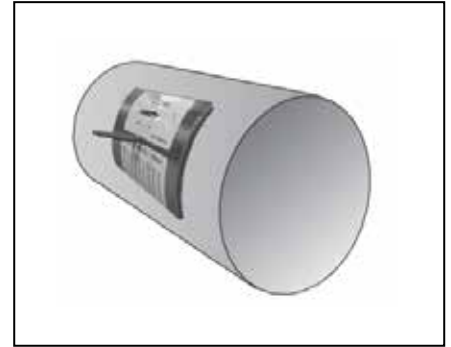
Mesure du flot d'air en utilisant la méthode du poste de mesure des débits



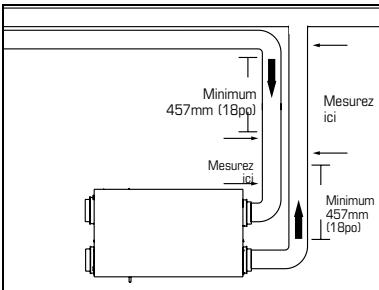
1 Percez un trou dans le conduit et insérez le poste de mesure des débits. Assurez-vous que la flèche de sens de l'air du poste de mesure des débits pointe dans le sens du débit d'air. Fixez le poste de mesure des débits avec du ruban adhésif.



2 Avant de prendre la lecture, assurez-vous que le manomètre Magnehelic est de niveau et indique 0. Consultez le tableau du poste de mesure pour déterminer le débit d'air de l'appareil.



3 Réglez le registre « Supply Air Out » (sortie de l'air fourni) de façon à obtenir le débit d'air désiré. Suivez les étapes 1-3 afin de régler le registre « Exhaust Air Out » (sortie de l'air vicié).



- Pour éviter la turbulence de l'air et de mauvaises lectures, mesurez le débit d'air dans un conduit d'acier à au moins 457mm (18 po) de l'appareil ou d'un coude et avant toute connexion avec un autre conduit. Les mesures devraient être prises avant toute transition dans les conduits, afin de mesurer le débit entier de l'air.

COMMANDES MURALES

* Veuillez consulter les manuels d'instructions des dispositifs de commande individuels pour connaître la bonne configuration de câblage et l'installation adéquate des systèmes de commande.



1. Assurez-vous que l'appareil n'est pas branché lorsque vous reliez la commande.
2. Le mode de recirculation n'est offert que sur les modèles Flex100H ES, Série HERO et les modèles dont le numéro de modèle comporte le suffixe « R » à la fin.


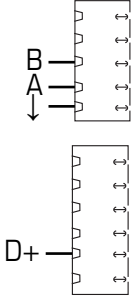




Les raccords de câblage peuvent être retirés pour faciliter le branchement.


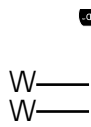

COMMANDES CENTRALES

Ceux-ci ne peuvent pas être utilisés avec une autre commande centrale

*Conserver la polarité entre la commande et le VRC (+ → + ; - → -)





SÉRIE ECO*	CARACTÉRISTIQUES	CONNEXIONS
ECO-Touch® 	<ul style="list-style-type: none"> • Notre système de commande le plus complet, mais toujours convivial. • Modèle élégant avec écran ACL tactile rétroéclairé. • Mode ECO choisissant le mode de fonctionnement et la vitesse optimaux pour la saison, minimisant la consommation énergétique associée à la ventilation. • Réglage de la plage d'humidité intérieure relative et du mode de ventilation favoris pour le jour et la nuit. • Aucune pile à remplacer, tous les réglages programmés sont conservés en cas de panne de courant. • Indicateur de rappel d'entretien. • Messages d'erreur réduisant le temps de dépannage. 	
ECO-Touch® IAQ 	<ul style="list-style-type: none"> • Capteur COV intégré • Notre système de commande le plus complet, mais toujours convivial. • Modèle élégant avec écran ACL tactile rétroéclairé. • Mode ECO choisissant le mode de fonctionnement et la vitesse optimaux pour la saison, minimisant la consommation énergétique associée à la ventilation. • Réglage de la plage d'humidité intérieure relative et du mode de ventilation favoris pour le jour et la nuit. • Aucune pile à remplacer, tous les réglages programmés sont conservés en cas de panne de courant. • Indicateur de rappel d'entretien. • Messages d'erreur réduisant le temps de dépannage. 	
ECO-Feel™ 	<ul style="list-style-type: none"> • Mode ECO choisissant le mode de fonctionnement et la vitesse optimaux pour la saison, minimisant la consommation énergétique associée à la ventilation. • Capteur COV intégré • Aucune pile à remplacer, tous les réglages programmés sont conservés en cas de panne de courant. 	



COMMANDES MURALES (SUITE)

SÉRIE EDF	CARACTÉRISTIQUES	RELIER À
EDF8 	<ul style="list-style-type: none"> • BOUTON DE SÉLECTION offrant 3 modes de fonctionnement : ventilation, recirculation et attente. • Vitesse du ventilateur sélectionnée par l'utilisateur : réduite, moyenne, ordinaire et 20 minutes par heure. • Mode AUTO permettant au propriétaire de désactiver le déshumidistat. • Lorsque l'humidité excède le point de fixation désiré, le système de ventilation fonctionne à vitesse ordinaire. • Lorsque le degré d'humidité souhaité est atteint, le système de ventilation retourne au mode de fonctionnement précédent. 	
EDF3 	<ul style="list-style-type: none"> • Appuyez une fois sur le bouton pour le mode ECONO : vitesse continue basse ou moyenne. • Appuyez deux fois sur le bouton pour le mode 20 MIN/H : la centrale effectuera un cycle de 20 minutes ON (marche)/40 minutes OFF (arrêt) à une vitesse intermittente et le répétera. • Appuyez trois fois sur le bouton pour le mode CONT : la centrale fonctionnera en continu en ventilation ou en recirculation sur la vitesse HIGH (rapide). 	

COMMANDE AUXILIAIRE – Ces commandes peuvent être associées à des commandes centrales ou combinées ensemble.

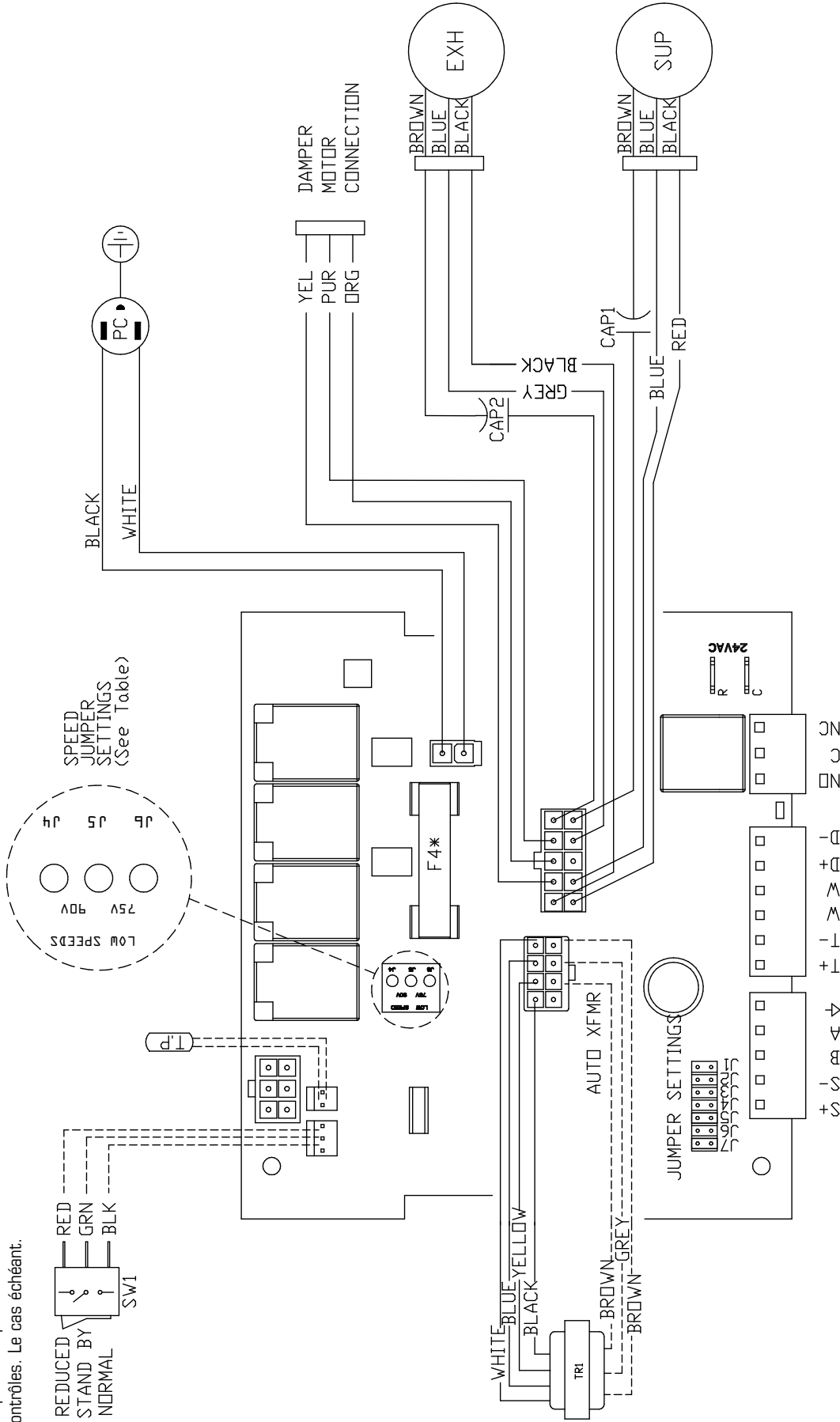
*Conserver la polarité entre la commande et le VRC (+ → + ; - → -)

SÉRIE RTS	CARACTÉRISTIQUES	RELIER À
RTS-W 	<ul style="list-style-type: none"> • Minuterie sans fil • Ne peut être jumelé qu'avec l'ECO-Touch IAQ • Minuterie de 20/40/60 minutes avec voyant à DEL. • Fait passer le système à la vitesse élevée à l'aide d'un bouton. • Jusqu'à 5 commandes peuvent être utilisées sur un système. • Pour la salle de bains, la cuisine et la salle de lavage. 	<p>Se connecte sans fil au</p> 
RTS2* 	<ul style="list-style-type: none"> • Minuterie de 20 minutes avec voyant à DEL. • Fait passer le système à la vitesse élevée à l'aide d'un bouton. • Jusqu'à 5 commandes peuvent être utilisées sur un système. • Pour la salle de bains, la cuisine et la salle de lavage. 	
RTS5* 	<ul style="list-style-type: none"> • Minuterie de 20/40/60 minutes avec voyant à DEL. • Fait passer le système à la vitesse élevée à l'aide d'un bouton. • Jusqu'à 5 commandes peuvent être utilisées sur un système. • Pour la salle de bains, la cuisine et la salle de lavage. 	

SÉRIE MDEH	CARACTÉRISTIQUES	RELIER À
MDEH1 	<ul style="list-style-type: none"> • Déshumidistat à molette. • Plusieurs commandes peuvent être utilisées. • Nous recommandons de fixer le taux d'humidité relative au-delà de 80 % l'été. 	

Schémas électroniques

Respectez la polarité sur tous les accessoires de contrôles. Le cas échéant.



*F4 is 8A Fast Acting with I2T > 184

----- Low voltage factory wiring

————— Line voltage factory wiring

JUMPER SETTINGS			Low Speed Jumper Settings
J7	J6	J5 J4 J3 J2 J1	J1
OFF	OFF	OFF	ON
OFF	OFF	OFF	90V

Schémas électroniques (SUITE)

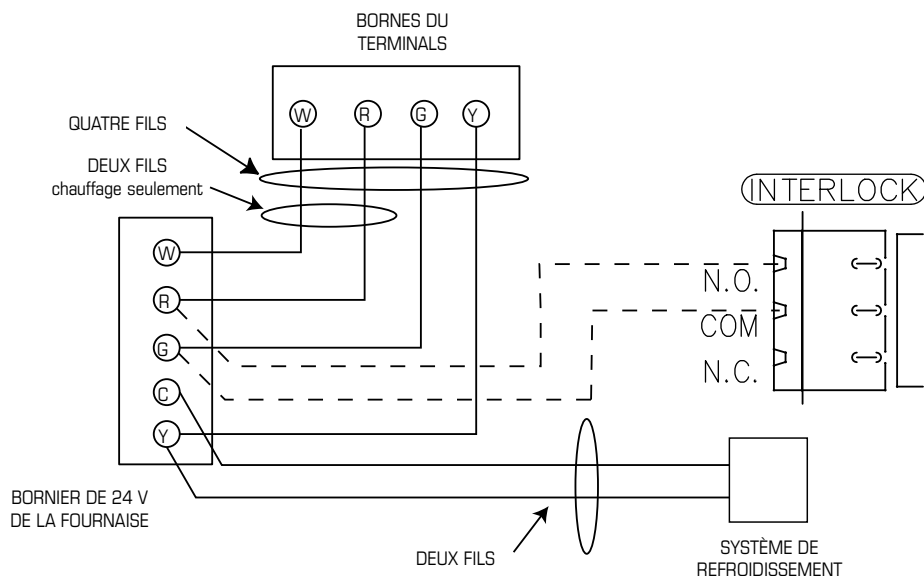
CONNEXION ÉLECTRIQUE À UNE FOURNAISE



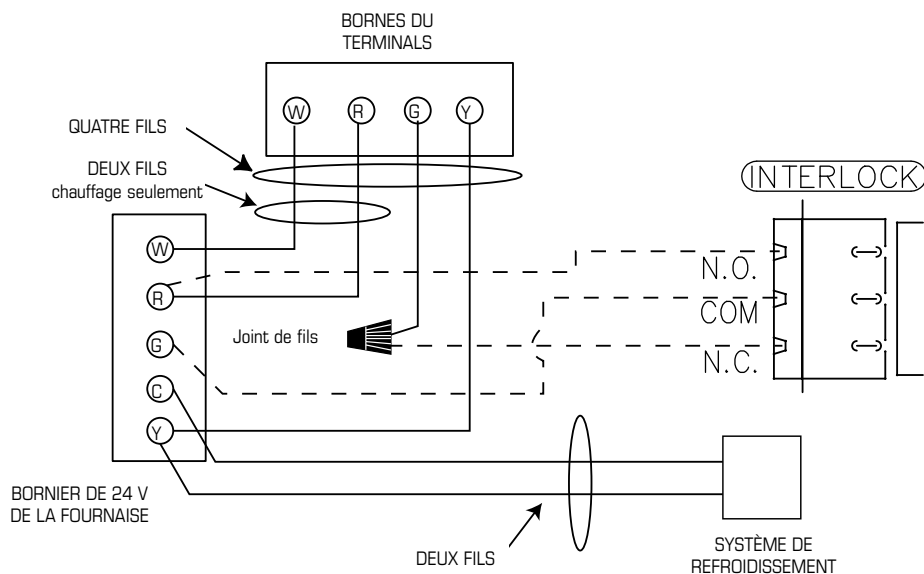
DANS LE CAS D'UNE FOURNAISE RACCORDÉE À UN SYSTÈME DE REFROIDISSEMENT

Sur certaines nouvelles fournaises, et certains thermostats plus anciens, l'excitation des bornes R et G de la fournaise provoque l'excitation de la borne Y du thermostat et conséquemment la mise sous tension du système de refroidissement. Si votre système est muni d'un tel type de thermostat, vous devez respecter le câblage de verrouillage de la fournaise secondaire.

Câblage standard de synchronisation avec une fournaise



Contact de commande des accessoires secondaires



Ne raccordez jamais un courant alternatif de 120V aux bornes de synchronisation de la fournaise. N'utilisez que le conduit basse tension de classe 2 de la commande du ventilateur de la fournaise.

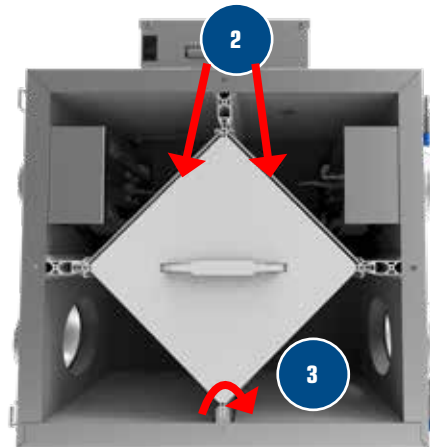
Dépannage

Problème	Causes	Solutions
L'air est trop sec	<ul style="list-style-type: none"> – Le déshumidistat est réglé trop bas – Le AAF est déséquilibré 	<ul style="list-style-type: none"> – Augmentez le niveau voulu d'humidité. Faites passer le mode de ventilation de « continu » à « attente ». – Équilibrez le AAF.
L'air est trop humide	<ul style="list-style-type: none"> – Le déshumidistat est réglé trop haut – Brusque changement de température – Entreposage d'une trop grande quantité de bois de chauffage – L'évent de la sécheuse est à l'intérieur de la maison – Mauvaise circulation d'air près des fenêtres – Le AAF est déséquilibré – La porte du sous-sol est fermée 	<ul style="list-style-type: none"> – Réduisez le niveau voulu d'humidité. Combinez cette méthode avec le fonctionnement de l'appareil en mode d'échange « continu ». – En hiver, attendez que la température extérieure se stabilise. Le chauffage permettra également d'améliorer la situation. – Entreposez la plus grande partie du bois de chauffage à l'extérieur. Même lorsque le bois est sec, une corde peut contenir plus de 20 gallons d'eau. – Posez l'évent de la sécheuse à l'extérieur. – Ouvrez les rideaux ou les stores. – Équilibrez le AAF. – Ouvrez la porte ou posez une grille sur la porte.
Condensation permanente sur les vitres	<ul style="list-style-type: none"> – Mauvais réglage du déshumidistat – Le AAF est déséquilibré – Mauvaise circulation d'air près des fenêtres 	<ul style="list-style-type: none"> – Réduisez le niveau voulu d'humidité. Combinez cette méthode avec le fonctionnement de l'appareil en mode d'échange « continu ». – Équilibrez le AAF. – Ouvrez les rideaux ou les stores
Mauvaise circulation d'air	<ul style="list-style-type: none"> – Les mailles de 6mm (1/4 po) de la grille des hottes extérieures sont bouchées – Les filtres sont colmatés – Le noyau est obstrué – Les grilles de la maison sont fermées ou bloquées – Alimentation inadéquate sur place – Le réseau de conduits limite l'efficacité du AAF – Mauvais réglage de la commande de vitesse – Déséquilibre du débit d'air du AAF – Les conduits ont tombé ou ne sont plus branchés au AAF 	<ul style="list-style-type: none"> – Nettoyez les hottes extérieures ou les événements. – Enlevez le filtre et nettoyez-le. – Enlevez le noyau et nettoyez-le. – Vérifiez les grilles et ouvrez-les. – Demandez à un électricien de vérifier la tension d'alimentation de la maison. – Vérifiez le réseau de conduits. – Augmentez la vitesse du AAF (i.e. changez la vitesse de l'appareil de vitesse RÉDUITE à vitesse NORMALE avec le contrôle) – Demandez au contracteur d'équilibrer le AAF – Demandez au contracteur de replacer les conduits.
L'air fourni est froid	<ul style="list-style-type: none"> – L'emplacement des grilles d'aspiration n'est pas approprié et, par conséquent, le débit d'air peut agacer les occupants de la maison – La température extérieure est extrêmement froide 	<ul style="list-style-type: none"> – Posez les grilles à une bonne hauteur sur les murs ou sous les plinthes chauffantes; posez un diffuseur ou des grilles au plafond de sorte que l'air fourni ne soit pas soufflé directement sur les occupants (p. ex. au-dessus d'un sofa). – Diminuez la vitesse du ventilateur d'approvisionnement du AAF. Il est possible d'utiliser un petit chauffe-conduit (1 kW) pour tempérer l'air fourni. – La circulation de l'air dans la maison est fonction de la disposition du mobilier ou de l'ouverture ou de la fermeture des portes – Si l'air fourni est acheminé dans la conduite de retour de la fournaise, il peut être nécessaire de faire fonctionner continuellement le ventilateur de fournaise
Le AAF et/ou les conduits se givrent	<ul style="list-style-type: none"> – Le débit d'air du AAF est déséquilibré – Le système de dégivrage du AAF est défectueux 	<ul style="list-style-type: none"> – Demandez au contracteur en CVC d'équilibrer le AAF. – Note : Il est prévu qu'une mince couche de givre s'accumule sur le noyau avant que l'appareil active son cycle de dégivrage.
Accumulation de condensation ou de glace sur le conduit isolé donnant sur l'extérieur	<ul style="list-style-type: none"> – Le pare-vapeur autour du conduit isolé est seulement partiellement – L'enveloppe du conduit extérieur est percée ou déchirée 	<ul style="list-style-type: none"> – Entourez tous les joints d'un ruban adhésif et scellez-les. – Réparez les trous ou les déchirures dans l'enveloppe du conduit extérieur à l'aide de ruban adhésif. – Assurez-vous que le pare-vapeur est complètement étanche.
DEL clignote	<ul style="list-style-type: none"> – État normal - Bon état de fonctionnement 	
DEL ne clignote pas	<ul style="list-style-type: none"> – La plaquette électronique n'est pas alimentée 	<ul style="list-style-type: none"> – S'assurer que la plaquette est branchée – Remplacer le transformateur si nécessaire.

Note: Il est toujours recommandé de faire vérifier l'appareil par un Contracteur/Technicien certifié en CVC

Instructions de nettoyage des filtres et du noyau récupérateur d'énergie

Pour un bon entretien de vos filtres et de votre noyau de récupération d'énergie suivez ces instructions



1. Pour retirer la porte, retirez la vis de verrouillage et la rondelle sur le côté de l'unité.

2. Retirez les deux filtres. Lavez les filtres à l'eau chaude savonneuse, puis rincez et laissez sécher.

3. Faites pivoter la plaque métallique maintenant le noyau AAF en place.

4. Retirez le noyau de l'unité.

5. Avec l'une des entrées d'air de votre cœur orientée vers le bas, placez-la dans un grand évier, une baignoire ou une douche.

6. Versez de l'eau du robinet propre à travers la face du noyau tournée vers le haut jusqu'à ce qu'elle soit claire. Assurez-vous que toute la surface est rincée.

7. Faites pivoter le noyau de sorte que son autre entrée d'air soit orientée vers le bas et répétez l'étape 5.

8. Avec les plaques toujours orientées verticalement, laissez sécher le noyau, normalement 2-3 heures.

9. Faites glisser le noyau dans le système en vous assurant que la flèche pointe vers les moteurs. Faites pivoter la plaque métallique qui maintient le noyau AAF en place.

10. Remettez le filtre en place.

11. Fermez la porte et fixez-la avec une vis de verrouillage et une rondelle.

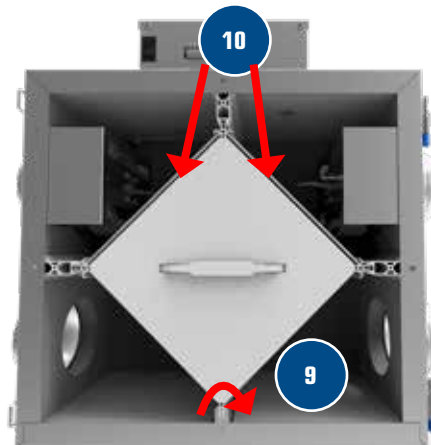
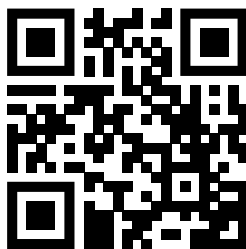


Tableau d'entretien du AAF

Entretien requis	Fréquence recommandée	Date de l'entretien					
Vérifiez et nettoyez les filtres	à chaque 3 mois, ou s'ils sont sales						
Vérifiez le noyau récupérateur d'énergie	À chaque 6 mois						
Vérifiez le bac de récupération et les tuyaux d'échappement	À chaque 3 mois						
Nettoyez l'intérieur de l'appareil à l'aspirateur	À chaque année						
Nettoyez et débloquez les hottes extérieures	À chaque année						
Inspectez et nettoyez le système de conduits	À chaque année						
Entretien général par un contracteur certifié	À chaque année						

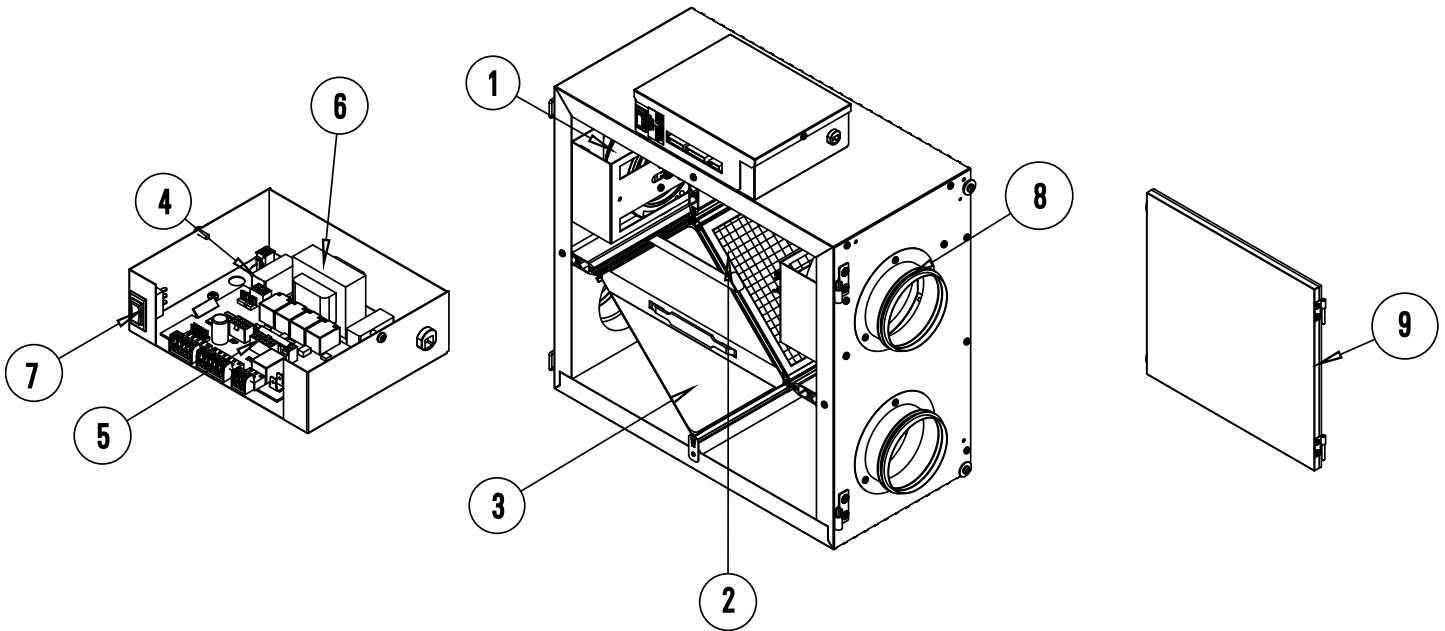
* L'horaire peut être modifiée au besoin. Un entretien plus fréquent pourrait être nécessaire selon la sévérité des environnements internes et externes de votre maison.

Contracteur	Numéro de téléphone	Date de l'entretien



Scannez le code QR ci-dessus pour accéder à la garantie de Fantech en anglais, français ou espagnol. Garantie limitée du Moteur 7 ans, composants électriques et noyau 5 ans incluse.

Si vous avez besoin d'une assistance supplémentaire pour récupérer la garantie, visitez fantech.net; appelez au (800) 747-1762 (États-Unis), (800) 565-3548 (Canada) ou +52 55 1328-7328 (Amérique latine); envoyez un courriel à support@fantech.net; ou envoyez-nous un courrier à 10048 Industrial Blvd, Lenexa, KS 66215 États-Unis ou à 50 Kanalläkt Way, Bouctouche, NB E4S 3M5 Canada.



BOM #	Description La description	Item Number Numéro d'article
1	Motor, R2E133 Radical replacement kit	428673
2	Electrostatic Filters Kit 8"x8.5'	405116
3	Heat Recovery Cell	422731
4	Capacitors 5uF	410220
5	Kit, RV-CTRL, Replacement, H:F	428252
6	Auto-Transformer	411963
7	Control Switch	410213
8	Collar 4"	415631
9	Door Assembly	445569
	Temperature Probe	40286
	Kit, Chain	404261
	Kit, Wall Bracket	445488
	Filter, MERV6, 70 cfm, Repl. Kit	414644
	Manual, Installation	445421
	Wiring Diagram	445482

Fantech reserves the right to make technical changes.
For updated documentation please refer to www.fantech.net

Fantech se réserve le droit de faire des changements techniques. Pour de la documentation à jour, s'il vous plaît se référer au www.fantech.net

Fantech®