

EC-10V

Controller for Electronically
Commutated Motors (ECM) Fans

NEW

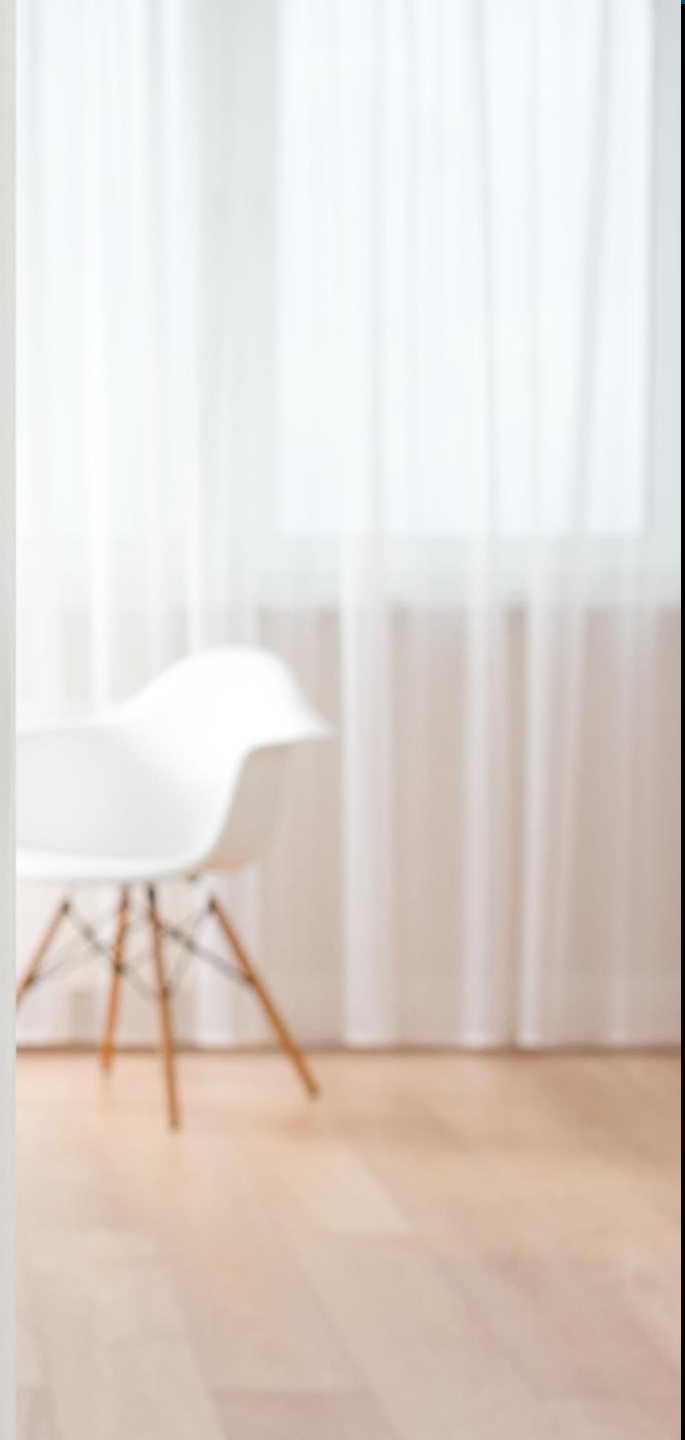


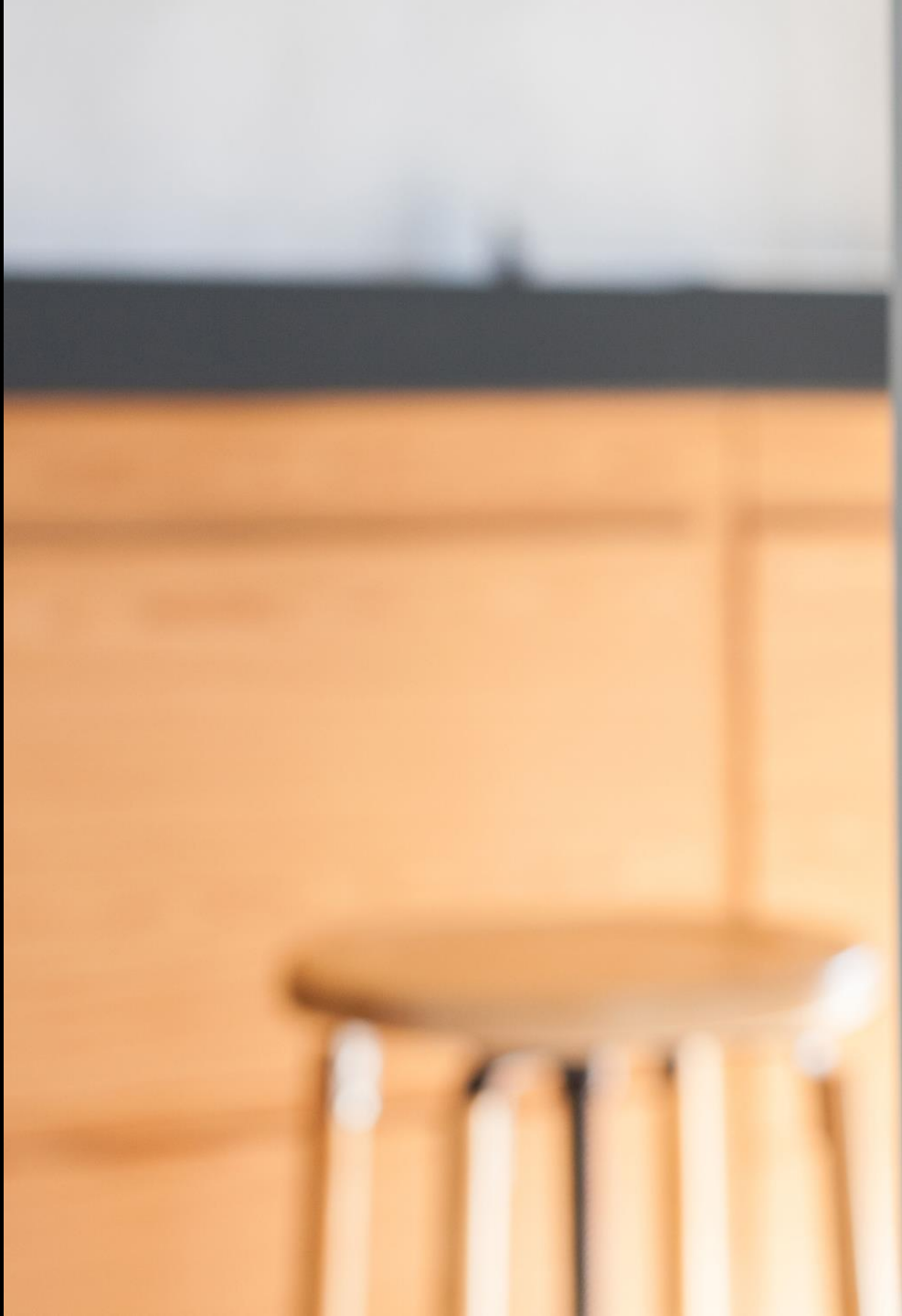
EC-10V

Description

- Aesthetically pleasing design with integrated linear outline for easy, precise dimming operation
- Soft touch knob
- Ability to choose the desired fan speed for optimal energy efficiency
- Decora mounting plate sold separately
- Bevel only available in white







EC-10V

Technical Specs

- 0-100% fan speed
- Fits a standard single gang box
- Low input voltage signal
- Simple screw terminal wiring

- Control voltage 0-10V
- Range 0-10k Ohm
- Weight 2 oz



NEW

EC-10V

Compatibility

NEW

- Compatible with all ECM fans by Fantech



FG EC Series



FKD EC Series



RVF EC Series

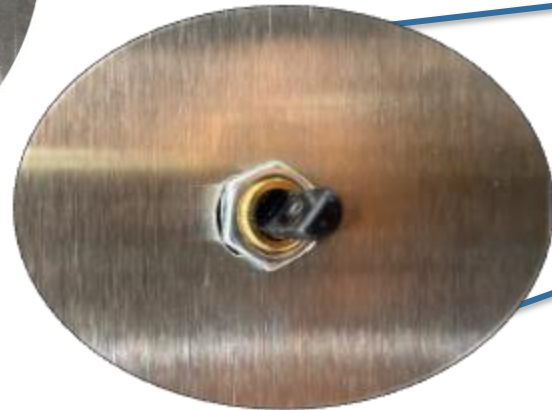
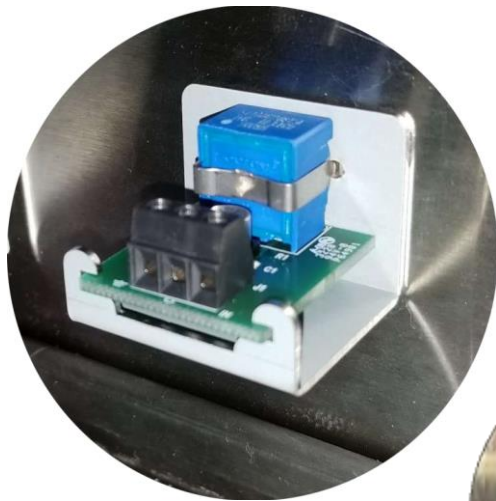


prioAir EC Series

EC-10VHL

Compatibility

- HL Hood liners
- Model shown is EC-10VHL



EC-10V Packaging

Infinite Variable Speed Controller for EC Fans

- 0-100% fan speed
- Standard single-gang box
- Low voltage signal
- Simple screw terminal wiring

Typ Voltage In 10V (Regulated)
Range 0-10 k Ω
Weight 2 oz

Contrôleur de vitesse variable à l'infini pour ventilateurs EC

- 0 à 100 % de la vitesse du ventilateur
- Boîte simple standard de
- Signal basse tension
- Câblage simple sur bornes à vis

Tapez la tension d'entrée 10V (régulé)
Varié 0-10 k Ω
Poids 40 g

 fantech
Made in USA / Fabriqué aux États-Unis

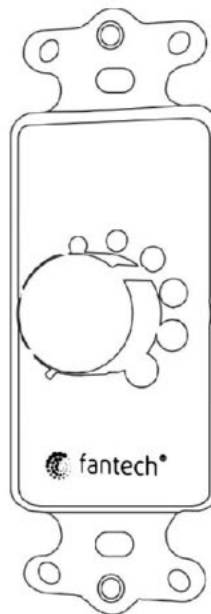
fantech.net

Questions? Comments?
USA: 1-800-747-1762
Canada: 1-800-565-3548

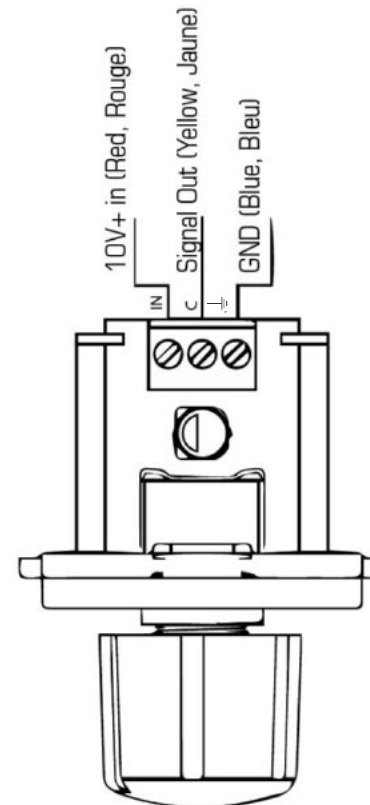
Decal # 498189



EC-10V Speed Controller Contrôleur de vitesse EC-10V



Item #/Art.: 498148



EC-10V viewed from the bottom
EC-10V vu du bas

NEW

MTP10

remains in range

- MTP10 (p/n 32731) remains in the range

NEW





fantech[®]
a systemair company