



Shutter Damper with Actuator

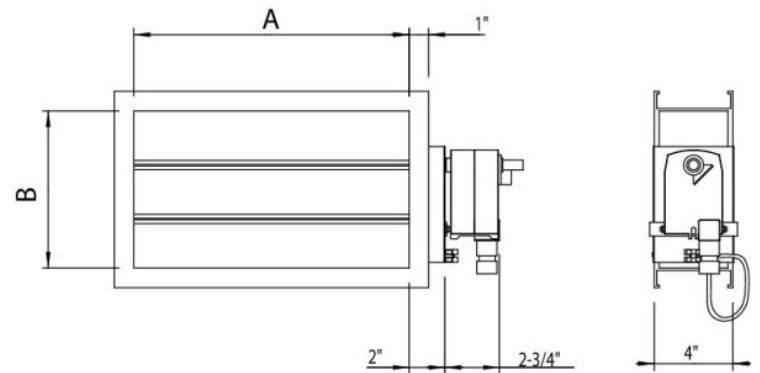
- Spring-Return Actuators
- Energy Efficiency
- Aluminum Framework
- Nylon Bearing Swivel

[Find more details in our online catalogue](#)

Technical parameters

Nominal data	
Voltage (nominal)	24 V
Frequency	60 Hz
Input power	2 W
Protection/Classification	
Enclosure class	IP54
Controller and Sensors	
Permitted ambient temperature	-22 to 122 °F
Dimensions and weights	
Weight	3.4 lb

Dimensions



Model	A	B
EFD 14-8	14 (256)	8 (203)
EFD 20-8	20 (508)	8 (203)
EFD 24-8	24 (610)	8 (203)

Dimensions in inches (mm).

