

**PRODUCT SPECIFICATIONS**

Elkay Avado Single Hole Kitchen Faucet with Semi-professional Spout Forward Only Lever Handle. Faucet has a flow rate of 1.5 GPM, and is made of Brass material, with a Ceramic Disc valve. Faucet requires 1 faucet holes.

|                                |   |
|--------------------------------|---|
| <b>Mounting Type:</b>          | Deck Mount  |
| <b>Special Features:</b>       | Low Flow<br>Solid Brass Waterway Construction               |
| <b>Spray Type:</b>             | Pre Rinse   |
| <b>Finish:</b>                 | Chrome (CR), Lustrous Steel (LS)                            |
| <b>Handle Type:</b>            | Forward Only Lever Handle                                   |
| <b>Deck Clearance:</b>         | 8-1/2"  |
| <b>Spout Reach:</b>            | 8-1/2"  |
| <b>Spout Height:</b>           | 22"   |
| <b>Hole Drillings:</b>         | 1   |
| <b>Material:</b>               | Brass   |
| <b>Valve Type:</b>             | Ceramic Disc  |
| <b>Valve Connection:</b>       | 1/2"-14 NPSM  |
| <b>Flow Rate:</b>              | 1.5 GPM   |
| <b>Faucet Hole Size (min):</b> | 1-3/8"  |
| <b>Countertop Thickness:</b>   | 2-1/2"  |
| <b>Spout Swing Rotation:</b>   | 360°  |
| <b>Spout Type:</b>             | Semiprofessional  |
| <b>Spray Functions:</b>        | Aerated, Pause, Spray, Stainless Steel Coil Hand Spray Hose |

**Special Note:** 1.5 GPM flow regulator installed (2.2 GPM flow regulator also included with faucet)



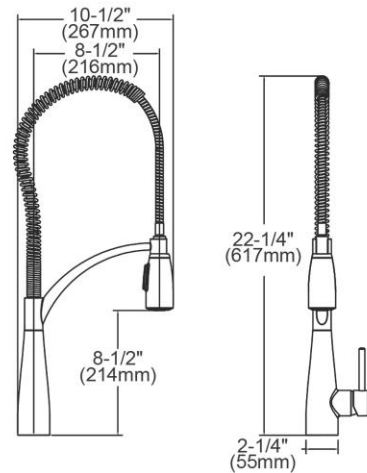
A Century of Tradition and Quality. For more than 100 years, Elkay has been making innovative products and providing exceptional customer care. We take pride in offering plumbing products that make life easier, inspire change and leave the world a better place.

**Product Compliance:** ASME A112.18.1/CSA B125.1  
CEC  
NSF 372 (lead free)  
NSF 61 (Q≤1)





Complies with ADA & ICC A117.1 accessibility requirements when installed according to the requirements outlined in these standards.

[Clean and Care Manual \(PDF\)](#)  
[Installation Instructions \(PDF\) - P99356](#)  
[Warranty \(PDF\)](#)

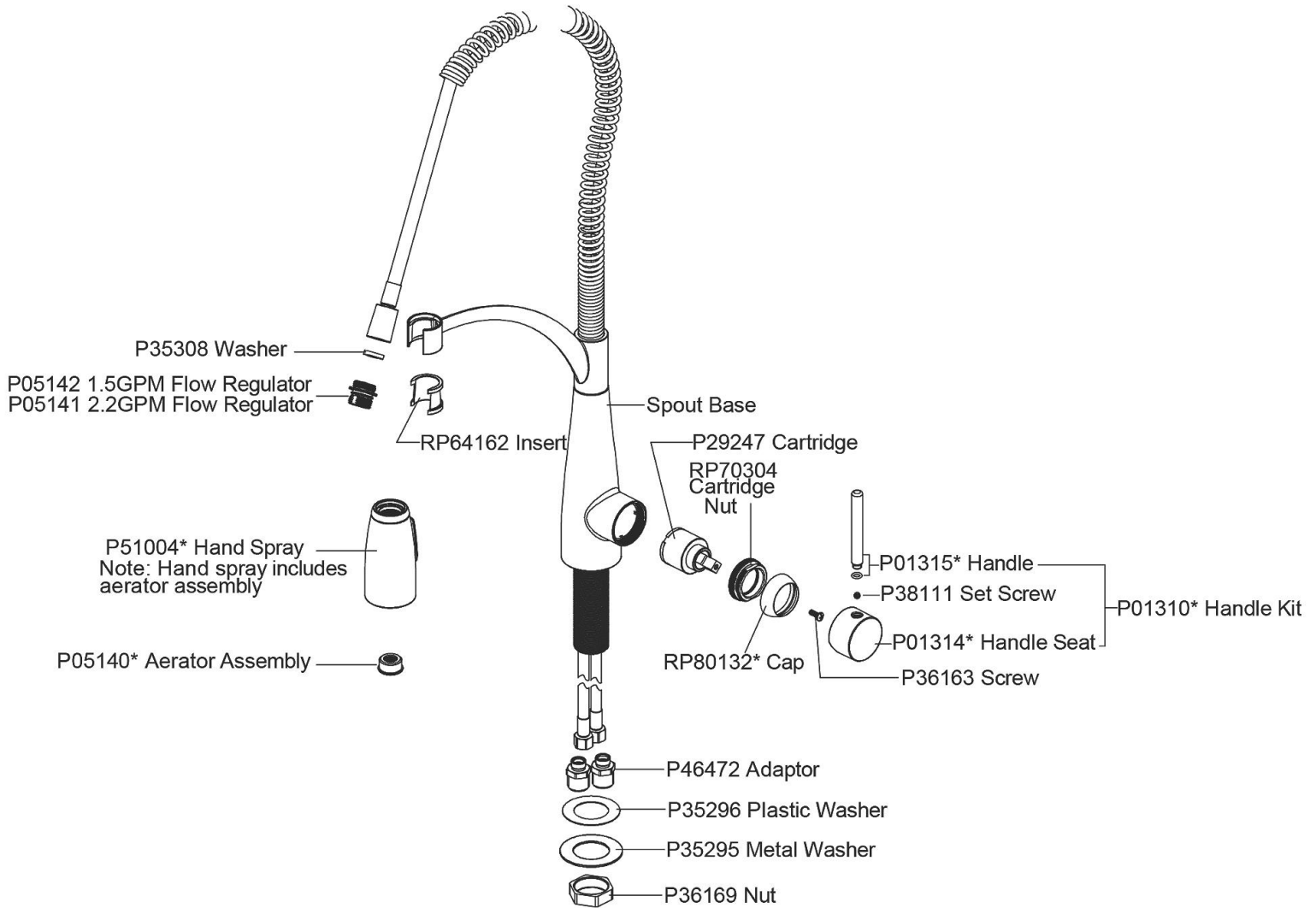


PART: \_\_\_\_\_ QTY: \_\_\_\_\_  
PROJECT: \_\_\_\_\_  
CONTACT: \_\_\_\_\_  
DATE: \_\_\_\_\_  
NOTES: \_\_\_\_\_  
APPROVAL: \_\_\_\_\_

*In keeping with our policy of continuing product improvement, Elkay reserves the right to change product specifications without notice. Please visit [elkay.com](http://elkay.com) for the most current version of Elkay product specification sheets. This specification describes an Elkay product with design, quality, and functional benefits to the user. When making a comparison of other producers' offerings, be certain these features are not overlooked.*

| Optional Accessories  |  |   |
|-----------------------|--|---|
| <a href="#">LK325</a> | Elkay 1-3/4" x 4-1/2" x 3" Soap / Lotion Dispenser<br><a href="#">Spec Sheet (PDF)</a> |  |
| <a href="#">LK133</a> | Elkay 3-Hole Deck Plate/Escutcheon<br><a href="#">Spec Sheet (PDF)</a>                 |  |

*In keeping with our policy of continuing product improvement, Elkay reserves the right to change product specifications without notice. Please visit [elkay.com](http://elkay.com) for the most current version of Elkay product specification sheets. This specification describes an Elkay product with design, quality, and functional benefits to the user. When making a comparison of other producers' offerings, be certain these features are not overlooked.*



*In keeping with our policy of continuing product improvement, Elkay reserves the right to change product specifications without notice. Please visit [elkay.com](http://elkay.com) for the most current version of Elkay product specification sheets. This specification describes an Elkay product with design, quality, and functional benefits to the user. When making a comparison of other producers' offerings, be certain these features are not overlooked.*