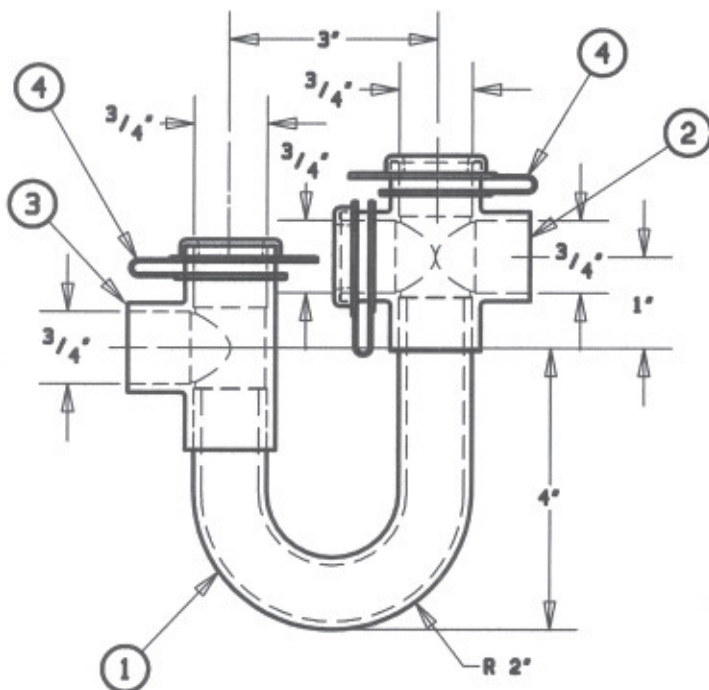


EZT-226

- ① 3/4" SLIP STREET ELL
- ② FLOAT SWITCH ASS'Y
- ③ 3-WIRE 48' CABLE



EZT-113

- ① TRANSPARENT BLOWMOLDED PVC TRAP EZP-401
- ② INLET CROSS
- ③ OUTLET TEE
- ④ REMOVABLE CAP

FLOW CAPACITY G.P.M. : 1.5
 POSITIVE PRESSURE WG.: 2.3"
 NEGATIVE PRESSURE WG.: 2.9"

RECTORSEAL			
2601 Spenwick Drive Houston, Texas 77055 Ph. 713-263-8001 or 800-231-3345 Fax: 713-263-7577 or 800-441-0051			
TOLERANCES <small>(EXCEPT WHERE NOTED)</small> .XX ± .020 .XXX ± .005 .XXXX ± .0005 ANG. ± 1/2°	PART NAME: EZT-626 3/4" TRAP/SWITCH COMBINATION PACK.		
	SCALE: NONE	JOB NO.:	DRAWN BY: DCH
	DATE: 1/21/05	DRAWING NO.: EZT-626	APPROVED BY:
			REV. A