

Part No.	Reference No.	Quantity	Description
75012694#EVENUP1~S	*		ACCESSORIES
EVENUP1_EVENUP1_316695~P	*		EVENUP1 PARTS LIST
75012692#EVENUP1~S	*		GENERAL ASSEMBLY
75012693#EVENUP1~S	*		MODEL NOMENCLATURE

NO GRAPHIC AVAILABLE

75013702

REV
A

**NO
GRAPHIC
AVAILABLE**

MODEL NOMENCLATURE

Parts List Number :EVENUP1#EVENUP1

Model Number :EVENQF130V1NAAA

Part No.	Reference No.	Quantity	Description
75012693_EVENUP1_316697~P	*		MODEL NOMENCLATURE PARTS LIST

NO GRAPHIC AVAILABLE

75013702

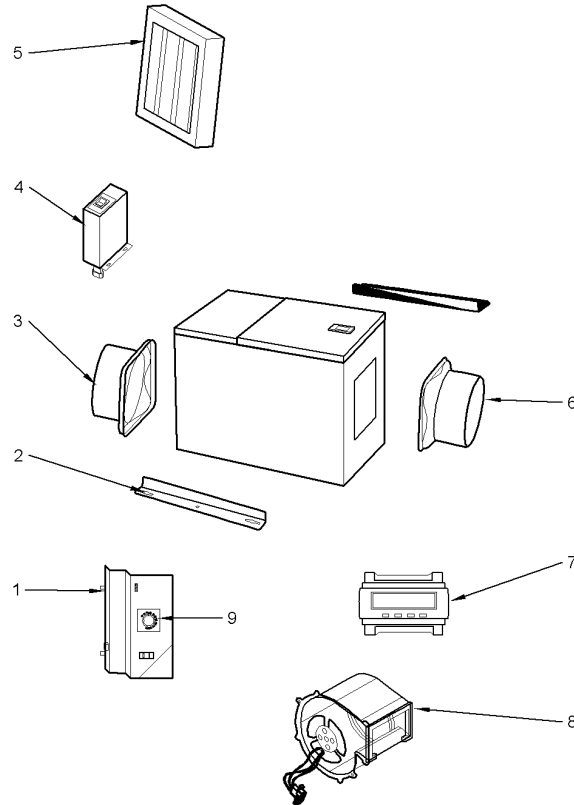
REV
A

**NO
GRAPHIC
AVAILABLE**

GENERAL ASSEMBLY
ACTIVE VENTILATION DEVICE QUIET INLINE FAN

75012692

REV.
A



All orderable Service Parts are identified for this product.

Parts that are not identified, will not be available to order.

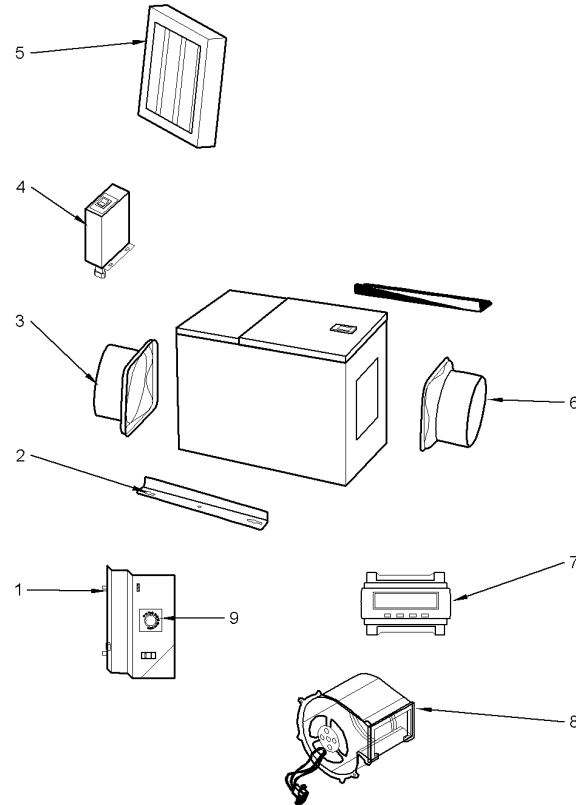
This is a typical illustration. The unit in the field may not appear exactly as shown.

Part No.	Reference No.	Quantity	Description
75012692_EVENUP1_359344~P	*		GENERAL ASSEMBLY PARTS LIST

GENERAL ASSEMBLY
ACTIVE VENTILATION DEVICE QUIET INLINE FAN

75012692

REV.
A



All orderable Service Parts are identified for this product.

Parts that are not identified, will not be available to order.

This is a typical illustration. The unit in the field may not appear exactly as shown.

Part No.	Reference No.	Quantity	Description
18-HE118D1-1-EN	*	1	NO DESCRIPTION AVAILABLE
E1650101	1	1	NO DESCRIPTION AVAILABLE
E1650001	2	2	NO DESCRIPTION AVAILABLE
E1650003	3	1	NO DESCRIPTION AVAILABLE
E1650002	6	1	NO DESCRIPTION AVAILABLE
E1650004	7	1	NO DESCRIPTION AVAILABLE
E1650102	8	1	NO DESCRIPTION AVAILABLE
E1299802	9	1	NO DESCRIPTION AVAILABLE

MODEL NUMBER DESCRIPTION	75012694	REV A
EVEN QUIET INLINE FAN		
<p style="text-align: center;"><i>Example Model Number:</i> EVENQF130V1NBAA <small>1 - - - - 5 - - - - - 10 - - - - 15</small></p> <p>Digits 1 – Brand E = EnviroWise (Generic)</p> <p>Digits 2, 3, 4 – Product Type VEN = Active Ventilation Device</p> <p>Digits 5, 6 – Model Family QF = Quiet Inline Fan</p> <p>Digits 7, 8, 9 – Nominal Airflow 130 = 130 cfm</p> <p>Digits 10 – Motor V = Full ECM</p> <p>Digits 11 – Power Supply 1 = 115/1ph/60hz</p> <p>Digits 12 – Type of Defrost N = None</p> <p>Digits 13 – Type of Control A = 24V Relay B = QF Internal</p> <p>Digits 14 – Open Digit A =</p> <p>Digits 15 – Service Digit-Not Orderable A = Not Orderable</p> <p>All orderable Service Parts are identified for this product. Parts that are not identified, will not be available to order. This is a typical illustration. The unit in the field may not appear exactly as shown.</p>		

Parts List Number :EVENUP1#EVENUP1

Model Number :EVENQF130V1NAAA

Part No.	Reference No.	Quantity	Description
75012694_EVENUP1_316698~P	*		ACCESSORIES PARTS LIST

MODEL NUMBER DESCRIPTION EVEN QUIET INLINE FAN	75012694	REV A
<p style="text-align: center;"><i>Example Model Number:</i> EVENQF130V1NBAA <small>1 - - - - 5 - - - - 10 - - - - 15</small></p> <p>Digits 1 – Brand E = EnviroWise (Generic)</p> <p>Digits 2, 3, 4 – Product Type VEN = Active Ventilation Device</p> <p>Digits 5, 6 – Model Family QF = Quiet Inline Fan</p> <p>Digits 7, 8, 9 – Nominal Airflow 130 = 130 cfm</p> <p>Digits 10 – Motor V = Full ECM</p> <p>Digits 11 – Power Supply 1 = 115/1ph/60hz</p> <p>Digits 12 – Type of Defrost N = None</p> <p>Digits 13 – Type of Control A = 24V Relay B = QF Internal</p> <p>Digits 14 – Open Digit A =</p> <p>Digits 15 – Service Digit-Not Orderable A = Not Orderable</p> <p>All orderable Service Parts are identified for this product. Parts that are not identified, will not be available to order. This is a typical illustration. The unit in the field may not appear exactly as shown.</p>		

Parts List Number :EVENUP1#EVENUP1

Model Number :EVENQF130V1NAAA

Part No.	Reference No.	Quantity	Description
E1650024	*	1	HEATER MODEL EQH400
E1650025	*	1	HEATER MODEL EQH900
E1650026	*	1	DAMPER; 6 INCH MOTORIZED
E1650123	*	1	FILTER; 10X10X2 2 PACK
E1955001	*	1	CAP; 6 INCH SCREENED WALL CAP