

Parts List Number :0000127647

Model Number :EHUMD500APA00CA

Part No.	Reference No.	Quantity	Description
0000127669~S	*		ACCESSORY PARTS
0000127670~S	*		FAN POWERED BYPASS HUMIDIFIER COMPONENTS
0000127667~S	*		MODEL NUMBER DESCRIPTION

ACCESSORY PARTS

Parts List Number :0000127647

Model Number :EHUMD500APA00CA

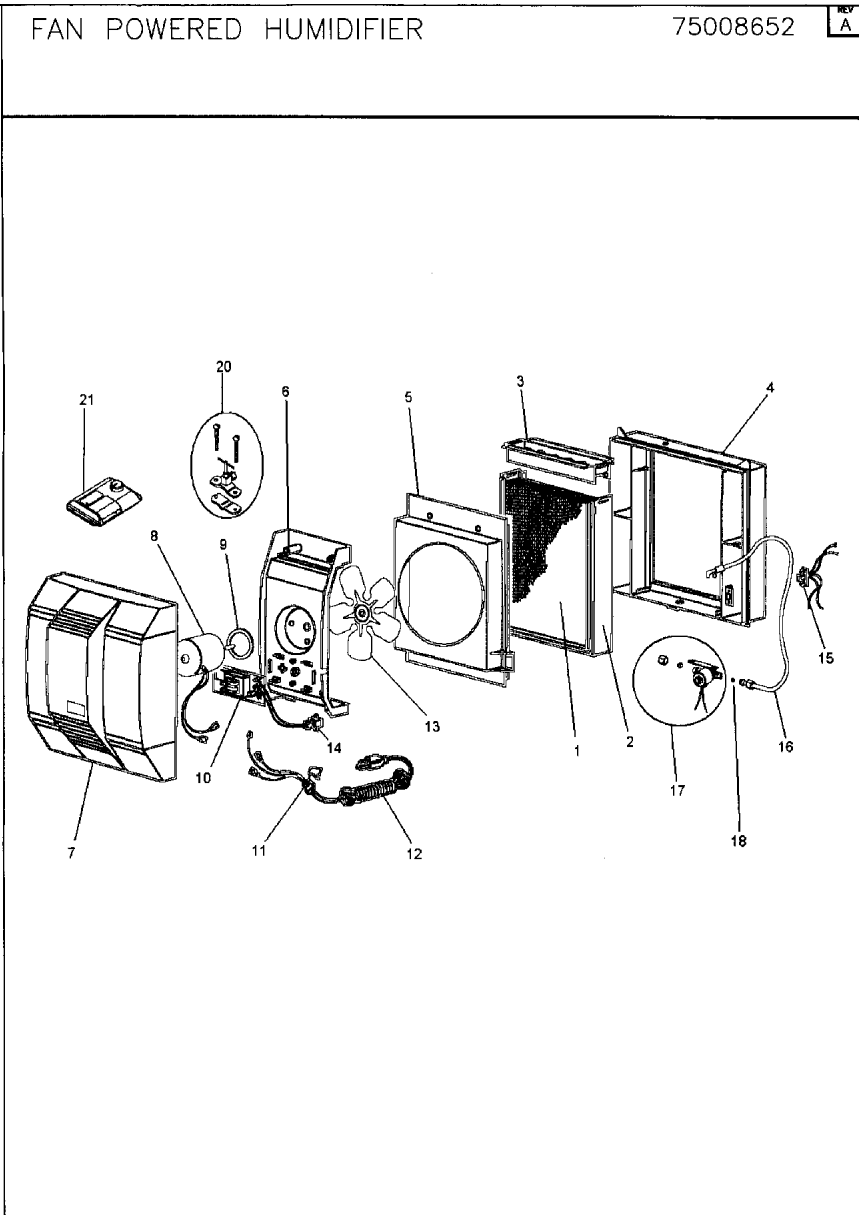
Part No.	Reference No.	Quantity	Description
0000017478~P	*		ACCESSORY PARTS

Part No.	Reference No.	Quantity	Description
CNT04340	*	1	CONTROL; CONVERTIBLE AUTOMATIC HUMIDIFIER, TRANE, LBP/LFP, (IT INCLUDES AN AUTOMATIC HUMIDISTAT MOUNTED ON DUCTWORK AND THE OUTDOOR SENSOR
PLT03885	*	1	PLATE; ADAPTOR, MANUAL HUMIDISTAT
PNL20613	*	1	PANEL; WATER PANEL EVAPORATOR PAD, ALUMINUM, OEM # 35 WATER, SF, LARGE BYPASS/FAN POWER
RLY02948	*	1	RELAY; MODEL 50
SEN01259	*	1	SENSOR; OUTDOOR, WITH ATTACHED BRACKET, AHC, OEM, LBP/LFP

Parts List Number :0000127647

Model Number :EHUMD500APA00CA

Part No.	Reference No.	Quantity	Description
0000017497~P	*		FAN POWERED BYPASS HUMIDIFIER COMPONENTS



Part No.	Reference No.	Quantity	Description
RES00957	*	1	RESISTOR; MANUAL MODE RESISTOR AND LABEL FOR AHC
RLY03685	*	1	RELAY; INTERNAL, LFP WITH RELAY
WIR07304	*	1	WIRE; HARNESS,POWER CORD, LFP WITH RELAY
PNL20613	1	1	PANEL; WATER PANEL EVAPORATOR PAD, ALUMINUM, OEM # 35 WATER, SF, LARGE BYPASS/FAN POWER
IRT00056	2	1	INSERT; SCALE CONTROL, LARGE BYPASS/FAN POWER
PAN02595	3	1	PAN; WATER DISTRIBUTION TRAY/ LARGE BYPASS/FAN POWER
BAS02155	4	1	BASE; FAN POWER HUMIDIFIER, LFP
PLT03884	5	1	PLATE; MOTOR ORIFICE, POLYSLATE GREY, LFP
PLT03883	6	1	PLATE; MOTOR MOUNTING, POLYSLATE GREY, LFP
COV03542	7	1	COVER; TRANE PWR HUMIDIFIER, POLYSLATE GREY, LFP
MOT16616	8	1	MOTOR; LFP WITH RELAY
ISR00065	9	1	ISOLATOR; RUBBER MOUNT,LFP
BRD03067	10	1	BOARD; CIRCUIT, LFP, INCLUDES WIRE HARNESS
GRM00883	11	1	GROMMET; ELECTRICAL, LFP
WIR07303	12	1	WIRE; HARNESS,POWER CORD, LFP WITH CIRCUIT BOARD
BLD01036	13	1	BLADE; FAN, LFP
SWT03825	14	1	SWITCH; DISCONNECT, FEMALE, LFP WITH RELAY
SWT03081	15	1	SWITCH; DISCONNECT MALE, LFP
TUB12026	16	1	TUBE; FEED PLASTIC, LFP
VAL08194	17	1	VALVE; SOLENOID, 24VAC, LFP
ORF01441	18	1	ORIFICE; BLUE, POWER UNITS WITH PLASTIC TUBES
VAL08192	20	1	VALVE; SADDLE, SBP,LBP, LFP
CNT04340	21	1	CONTROL; CONVERTIBLE AUTOMATIC HUMIDIFIER, TRANE, LBP/LFP,(IT INCLUDES AN AUTOMATIC HUMIDISTAT MOUNTED ON DUCTWORK AND THE OUTDOOR SENSOR

Part No.	Reference No.	Quantity	Description
0000017476~P	*		MODEL NUMBER DESCRIPTION

MODEL NUMBER DESCRIPTION	75014324	REV A
EHUMD RESIDENTIAL HUMIDIFIER UNITS		
MODEL NO. E H U M D 2 0 0 A B M 0 0 A A		
DIGIT NO. 1 2 3 4 5 6 7 8 9 10 11 12 13 14 15		
DIGITS 1- Brand E = Multi-Brand		
DIGIT 2-5 - Accessory Type HUMD = Humidifier		
DIGIT 6-8 - Model Series 200 = Small Bypass 300 = Larger Bypass 500 = Fan Powered		
DIGIT 9 - Major Design Change A = Design Series		
DIGIT 10 - Humidifier Type B = Bypass Humidifier P = Fan Powered Humidifier		
DIGIT 11 - Control M = Manual Humidistat A = Automatic Humidistat		
DIGIT 12 - Blank 0 = Blank		
DIGIT 13 - Blank 0 = Blank		
DIGIT 14 - Minor Modification A = Design Change		
Digit 15 - Service Digit A = Service Digit		

