

Part No.	Reference No.	Quantity	Description
0000127669~S	*		ACCESSORY PARTS
0000127668~S	*		BYPASS HUMIDIFIER COMPONENTS
0000127667~S	*		MODEL NUMBER DESCRIPTION

ACCESSORY PARTS

Parts List Number :0000127647

Model Number :EHUMD300ABA00BA

Part No.	Reference No.	Quantity	Description
0000017478~P	*		ACCESSORY PARTS

Part No.	Reference No.	Quantity	Description
CNT04340	*	1	CONTROL; CONVERTIBLE AUTOMATIC HUMIDIFIER, TRANE, LBP/LFP, (IT INCLUDES AN AUTOMATIC HUMIDISTAT MOUNTED ON DUCTWORK AND THE OUTDOOR SENSOR
PLT03885	*	1	PLATE; ADAPTOR, MANUAL HUMIDISTAT
PNL20613	*	1	PANEL; WATER PANEL EVAPORATOR PAD, ALUMINUM, OEM # 35 WATER, SF, LARGE BYPASS/FAN POWER
RLY02948	*	1	RELAY; MODEL 50
SEN01259	*	1	SENSOR; OUTDOOR, WITH ATTACHED BRACKET, AHC, OEM, LBP/LFP

BYPASS HUMIDIFIER COMPONENTS

Parts List Number :0000127647

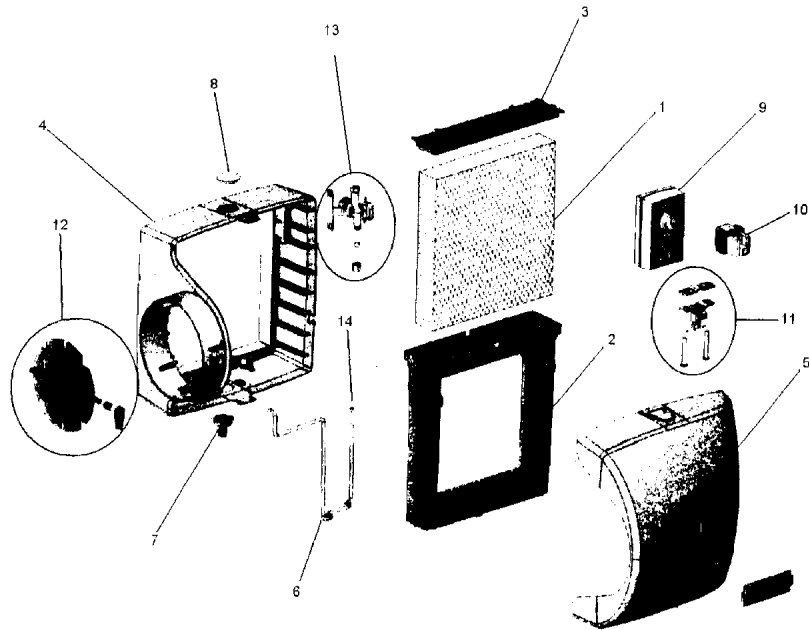
Model Number :EHUMD300ABA00BA

Part No.	Reference No.	Quantity	Description
0000017477~P	*		BYPASS HUMIDIFIER COMPONENTS

BYPASS HUMIDIFIER

75008651

REV
A



Part No.	Reference No.	Quantity	Description
RES00957	*	1	RESISTOR; MANUAL MODE RESISTOR AND LABEL FOR AHC
SRA00859	*	1	STRAINER; IN-LINE, SBP, LBP, LFP
PNL20613	1	1	PANEL; WATER PANEL EVAPORATOR PAD, ALUMINUM, OEM # 35 WATER, SF, LARGE BYPASS/FAN POWER
IRT00059	2	1	INSERT; SCALE CONTROL, LARGE BYPASS/LFP (NEW HSG STYLE)
PAN02832	3	1	PAN; WATER DISTRIBUTOR TRAY, SMALL BYPASS
BAS02154	4	1	BASE; LARGE BYPASS (WITH DAMPER)
COV03848	5	1	COVER; LARGE BYPASS (W/ TRANE NAMEPLATE)
TUB12025	6	1	TUBE; FEED PLASTIC, SBP,LBP
DRN00006	7	1	DRAIN; SPUD, SBP, LBP
PLU01003	8	1	PLUG; FOR BYPASS BASES
CNT04842	9	1	CONTROL; CONVERTIBLE AUTOMATIC HUMIDIFIER, TRANE, LBP
TRR01901	10	1	TRANSFORMER; SBP, LBP
VAL08192	11	1	VALVE; SADDLE, SBP,LBP, LFP
DMP02772	12	1	DAMPER; HUMIDIFIER BYPASS AND HANDLE, SBP, LBP
VAL08193	13	1	VALVE; SOLENOID, 24VAC, SBP,LBP
ORF01441	14	1	ORIFICE; BLUE, POWER UNITS WITH PLASTIC TUBES

Part No.	Reference No.	Quantity	Description
0000017476~P	*		MODEL NUMBER DESCRIPTION

MODEL NUMBER DESCRIPTION	75014324	REV A
EHUMD RESIDENTIAL HUMIDIFIER UNITS		
MODEL NO. E H U M D 2 0 0 A B M 0 0 A A		
DIGIT NO. 1 2 3 4 5 6 7 8 9 10 11 12 13 14 15		
DIGITS 1- Brand E = Multi-Brand		
DIGIT 2-5 - Accessory Type HUMD = Humidifier		
DIGIT 6-8 - Model Series 200 = Small Bypass 300 = Larger Bypass 500 = Fan Powered		
DIGIT 9 - Major Design Change A = Design Series		
DIGIT 10 - Humidifier Type B = Bypass Humidifier P = Fan Powered Humidifier		
DIGIT 11 - Control M = Manual Humidistat A = Automatic Humidistat		
DIGIT 12 - Blank 0 = Blank		
DIGIT 13 - Blank 0 = Blank		
DIGIT 14 - Minor Modification A = Design Change		
Digit 15 - Service Digit A = Service Digit		

