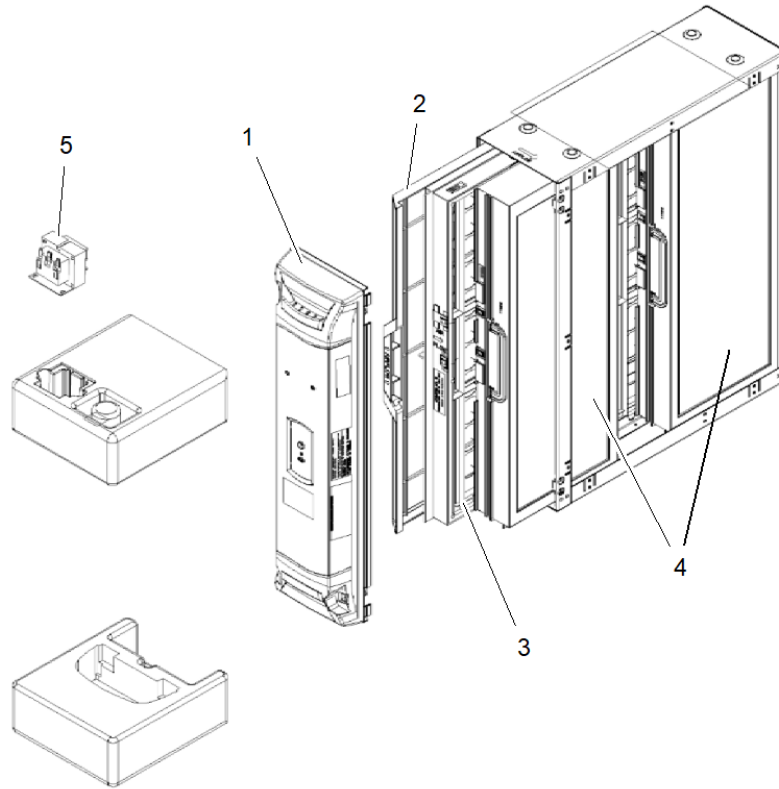


<b>Part No.</b>	<b>Reference No.</b>	<b>Quantity</b>	<b>Description</b>
0000136330~S	*		GENERAL ASSEMBLY
0000136329~S	*		MODEL NUMBER DESCRIPTION

Part No.	Reference No.	Quantity	Description
0000020760~P	*		GENERAL ASSEMBLY



Part No.	Reference No.	Quantity	Description
CAB01157	*	1	CABLE; POWER CONTROL, ( 2 X 3 PLUG WITH THERMOSTAT WIRE)
CNT06888	*	1	CONTROL; PCB ASSEMBLY, ACCE MAIN BOARD, 3.50 X 3.12
FUS01349	*	1	FUSE; 3A FLAT BLADE, ATC-3 (5EA/CASE)
GKT05089	*	1	GASKET; ACCE
GKT05090	*	1	GASKET; GAS-COLLECTING COVER
KIT19210	*	1	KIT; ASM DOOR SHELL - 21.5IN, (CONSISTS OF OUTER HOUSING ASSY, LATCH, KEEPER, 2-WASHERS, WARNING LABEL, IFD LOGO LABEL, & ENVIROWISE/TRANE/AMER STD LO
KIT19223	*	1	KIT; LATCH ASSEMBLY (CONSISTS OF 4-LATCHES, 4-KEEPERS, 16-SCREWS)
KIT19269	*	1	KIT; ENVIROWISE/TRANE/AMER STD LOGO LABELS AND IFD LABEL
KIT19772	*	1	KIT; MOUNTING
KIT19221	1	1	KIT; DOOR ASM-IFD - 21.5 IN
FLR06467	2	1	FILTER; PRE-FILTER, 21.19 LONG X 19.94 WIDE
CHG00062	3	1	CHARGER; FIELD CHARGER ASSEMBLY 21.3 X 20.3
FLR06456	4	1	FILTER; IFD-FILTER ASSEMBLY (PACKAGE OF 2 FILTERS) (COLLECTION CELL)
TRR01558	5	1	TRANSFORMER; 75VA, 200/230V PRI, 24V SEC, QUICK CONNECTS

Part No.	Reference No.	Quantity	Description
0000020756~P	*		MODEL NUMBER DESCRIPTION

**MODEL NOMENCLATURE**

75014267

REV  
A

**Whole House Air Cleaner Units**

*Example Model Number:*

**E F D 1 4 5 D L F R 0 0 0 A A**  
1                    5                    10                    15

**Digit 1 Brand**

T = Trane  
 V = America Standard  
 E = Envirowise

**Digit 2 Accessory Type**

F = Filtration

**Digit 3 Accessory Type**

D = IFD

**Digit 4-6 Model Series**

145 = Model Series Dimension  
 14D = Model Series Dimension Downflow  
 175 = Model Series Dimension  
 17D = Model Series Dimension Downflow  
 210 = Model Series Dimension  
 21D = Model Series Dimension Downflow  
 245 = Model Series Dimension  
 24D = Model Series Dimension Downflow  
 215 = Model Series Dimension  
 235 = Model Series Dimension  
 260 = Model Series Dimension

**Digit 7 Equipment Application**

A = Major Design Series

**Digit 8 Equipment Application**

L = Power Supply L (Low Voltage)

**Digit 9-10 Major Modification & Voltage**

FR = Furnace  
 AH = Air Handler

**Digit 11-13 Major Modification & Voltage**

000 = Not use

**Digit 14 Minor Modification**

A = Minor Design

**Digit 15 Service Digit**

A = Service Digit A,B,C, etc.

**Models**

14.5" Furnace	E F D 1 4 5 D L F R 0 0 0 A A
17.5" Furnace	E F D 1 7 5 D L F R 0 0 0 A A
17.5" Furnace Downflow	E F D 1 7 D D L F R 0 0 0 A A
21" Furnace	E F D 2 1 D D L F R 0 0 0 A A
21" Furnace Downflow	E F D 2 1 5 D L A H 0 0 0 A A
24.5" Furnace	E F D 2 3 5 D L A H 0 0 0 A A
24.5" Furnace Downflow	E F D 2 4 5 D L F R 0 0 0 A A
21.5" Air Handler	E F D 2 6 0 D L A H 0 0 0 A A
23.5" Air Handler	E F D 1 7 5 D L A H 0 0 0 A A
26" Air Handler	E F D 2 1 0 D L F R 0 0 0 A A

