

Part No.	Reference No.	Quantity	Description
75012365#EDHUMUP1~S	*		ACCESSORIES
75012448#EDHUMUP1~S	*		CABINET ASSEMBLY
75012450#EDHUMUP1~S	*		DRAIN PAN ASSEMBLY
EDHUMUP1_EDHUMUP1_24927 1~P	*		EDHUMUP1 PARTS LIST
75012452#EDHUMUP1~S	*		HEAT EXCHANGER
75012451#EDHUMUP1~S	*		IMPELLER BRACKET
75012145#EDHUMUP1~S	*		MODEL NOMENCLATURE
75012449#EDHUMUP1~S	*		REFRIGERATION SECTION
75012447#EDHUMUP1~S	*		SERVICE PARTS CONTROLS SECTION

NO GRAPHIC AVAILABLE

75013702

REV
A

**NO
GRAPHIC
AVAILABLE**

MODEL NUMBER DESCRIPTION	75012145	REV. A
DEHUMIDIFIER		
<p style="text-align: center;"><i>Example Model Number:</i> EDHUM7 0V 1H 1MDAA <small>1 - - - - 5 - - - - 10 - - - - 15</small></p>		
Digits 1 – Brand		
E = EnviroWise (Generic)		
Digits 2, 3, 4, 5 – Accessory Type		
DHUM = Dehumidifier		
Digits 6, 7, 8 – Model Series		
70V = 130 cfm Ventilator or 70 ppd, 1800 sq.'		
098 = 98 ppd, 2300 sq.'		
155 = 155 ppd, 3500 sq.', Hi Eff.		
S12 = 185 ppd, 4000 sq.' Split System		
120 = 120 ppd, 2500 sq.' Confined Space		
105 = 105 ppd, 2500 sq.' Hi Eff.		
205 = 205 ppd, 5000 sq.' Hi Eff.		
Digits 9 – Major Design Change		
A = Design Series		
Digits 10 – Configuration		
H = Horizontal, Ducted Attic, Basement, Crawl, 70V, 098, 105, 155, 205 Models		
V = Vertical, Closet or Limited Space, 100 Model		
S = Split System Indoor and Outdoor Section S12 Split Model		
Digits 11 – Voltage Supplied Wiring		
1 = 115 VAC, 9' Cord, Grounded Plug		
Digits 12 – Controls		
M = Wired 24V terminals. Requires Nexia enabled thermostat, or optional DEH 3000 proprietary control		
Digits 13 – Application		
D = Dedicated Ventilating Dehumidifier 70V Mdl		
N = Dehumidifier w/optional ventilation		
Digits 14 – Minor Design Change		
B = Design Change		
Digits 15 – Service Digit-Not Orderable		
A = Service Digit		
All orderable Service Parts are identified for this product.		
Parts that are not identified, will not be available to order.		
This is a typical illustration. The unit in the field may not appear exactly as shown.		

MODEL NOMENCLATURE

Parts List Number :EDHUMUP1#EDHUMUP1

Model Number :EDHUM1051H1MDAA

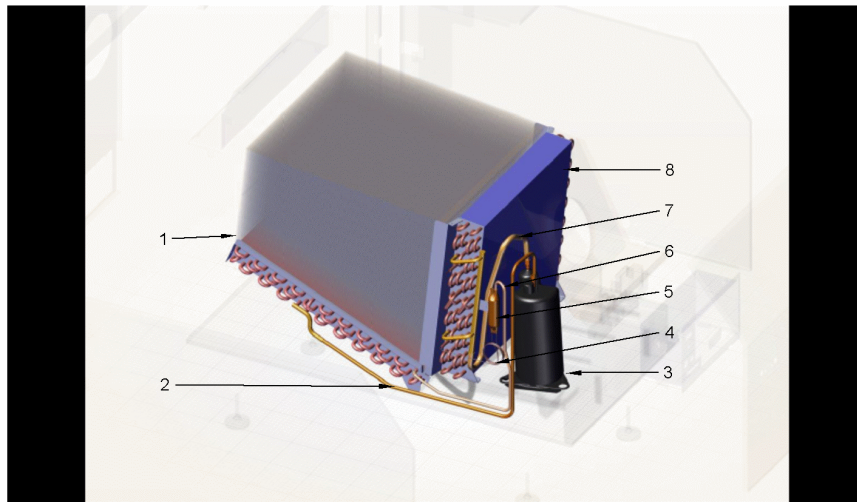
Part No.	Reference No.	Quantity	Description
75012145_EDHUMUP1_249273~ P	*		MODEL NOMENCLATURE PARTS LIST

MODEL NUMBER DESCRIPTION	75012145	REV. A
DEHUMIDIFIER		
<i>Example Model Number:</i> EDHUM7 0V 1H 1MDAA <small>1 - - - - 5 - - - - 10 - - - - 15</small>		
Digits 1 – Brand		
E = EnviroWise (Generic)		
Digits 2, 3, 4, 5 – Accessory Type		
DHUM = Dehumidifier		
Digits 6, 7, 8 – Model Series		
70V = 130 cfm Ventilator or 70 ppd, 1800 sq.'		
098 = 98 ppd, 2300 sq.'		
155 = 155 ppd, 3500 sq.', Hi Eff.		
S12 = 185 ppd, 4000 sq.' Split System		
120 = 120 ppd, 2500 sq.' Confined Space		
105 = 105 ppd, 2500 sq.' Hi Eff.		
205 = 205 ppd, 5000 sq.' Hi Eff.		
Digits 9 – Major Design Change		
A = Design Series		
Digits 10 – Configuration		
H = Horizontal, Ducted Attic, Basement, Crawl, 70V, 098, 105, 155, 205 Models		
V = Vertical, Closet or Limited Space, 100 Model		
S = Split System Indoor and Outdoor Section S12 Split Model		
Digits 11 – Voltage Supplied Wiring		
1 = 115 VAC, 9' Cord, Grounded Plug		
Digits 12 – Controls		
M = Wired 24V terminals. Requires Nexia enabled thermostat, or optional DEH 3000 proprietary control		
Digits 13 – Application		
D = Dedicated Ventilating Dehumidifier 70V Mdl		
N = Dehumidifier w/optional ventilation		
Digits 14 – Minor Design Change		
B = Design Change		
Digits 15 – Service Digit-Not Orderable		
A = Service Digit		
All orderable Service Parts are identified for this product.		
Parts that are not identified, will not be available to order.		
This is a typical illustration. The unit in the field may not appear exactly as shown.		

REFRIGERATION SECTION
1051H DEHUMIDIFIER

75012449

REV.
A



All orderable Service Parts are identified for this product.
Parts that are not identified, will not be available to order.
This is a typical illustration. The unit in the field may not appear exactly as shown.

REFRIGERATION SECTION

Parts List Number :EDHUMUP1#EDHUMUP1

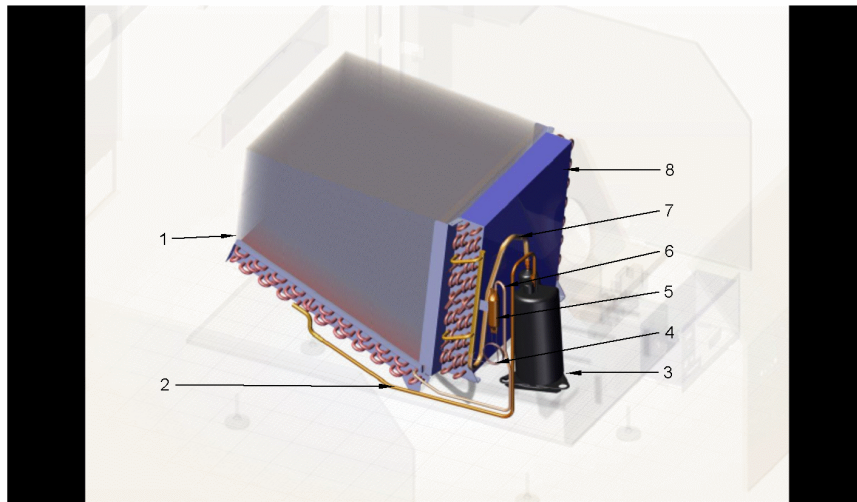
Model Number :EDHUM1051H1MDAA

Part No.	Reference No.	Quantity	Description
75012449_EDHUMUP1_347885~ P	*		REFRIGERATION SECTION PARTS LIST

REFRIGERATION SECTION
1051H DEHUMIDIFIER

75012449

REV.
A



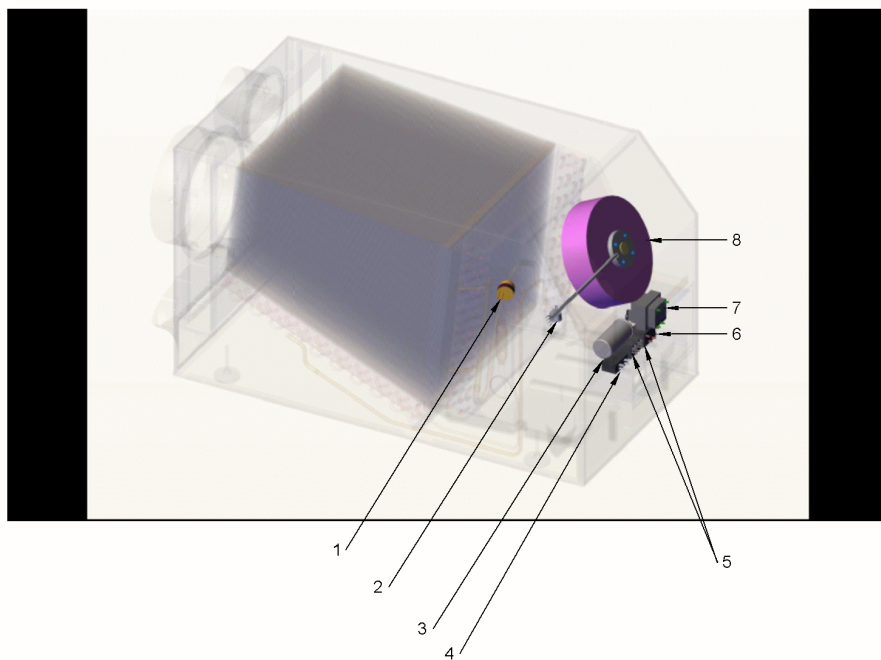
All orderable Service Parts are identified for this product.
Parts that are not identified, will not be available to order.
This is a typical illustration. The unit in the field may not appear exactly as shown.

Part No.	Reference No.	Quantity	Description
4031085-02	1	1	NO DESCRIPTION AVAILABLE
4037331	2	1	NO DESCRIPTION AVAILABLE
4035851	3	1	NO DESCRIPTION AVAILABLE
4036164-07	4	1	NO DESCRIPTION AVAILABLE
4037329	6	1	NO DESCRIPTION AVAILABLE
4037332	7	1	NO DESCRIPTION AVAILABLE
4031086-05	8	1	NO DESCRIPTION AVAILABLE

SERVICE PARTS
1051H DEHUMIDIFIER

75012447

REV.
A



All orderable Service Parts are identified for this product.

Parts that are not identified, will not be available to order.

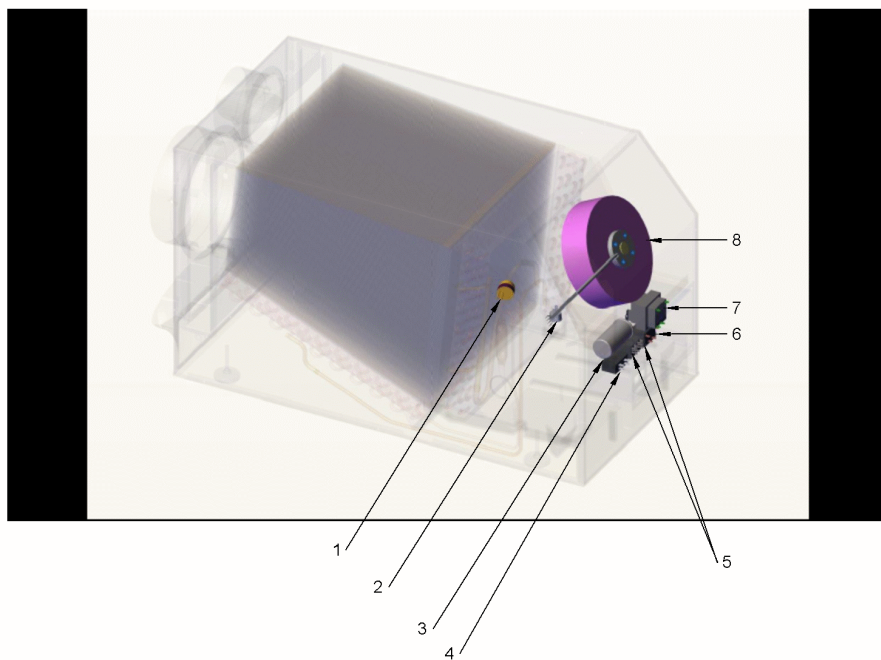
This is a typical illustration. The unit in the field may not appear exactly as shown.

Part No.	Reference No.	Quantity	Description
75012447_EDHUMUP1_347883~ P	*		SERVICE PARTS CONTROLS SECTION PARTS LIST

SERVICE PARTS
1051H DEHUMIDIFIER

75012447

REV.
A



All orderable Service Parts are identified for this product.
Parts that are not identified, will not be available to order.
This is a typical illustration. The unit in the field may not appear exactly as shown.

Parts List Number :EDHUMUP1#EDHUMUP1

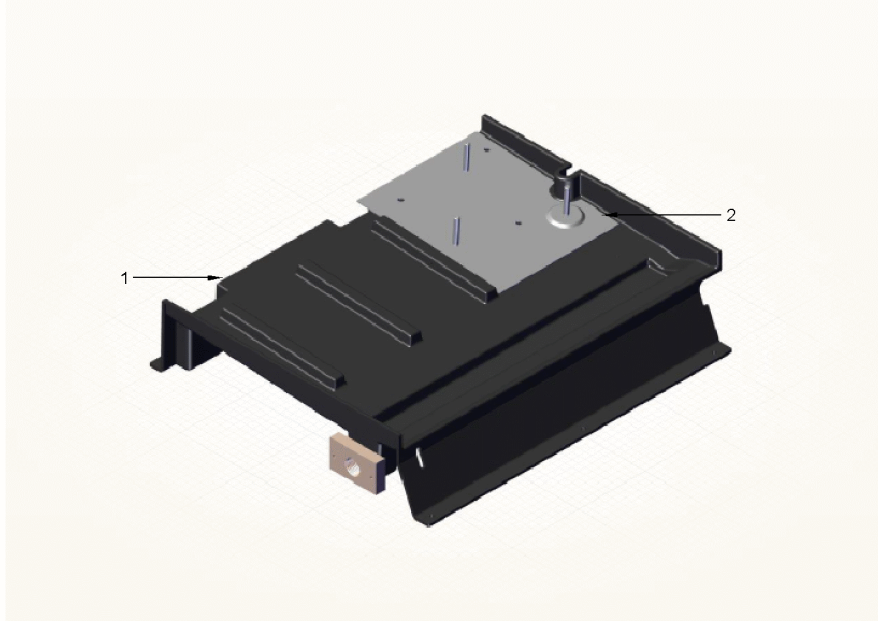
Model Number :EDHUM1051H1MDAA

Part No.	Reference No.	Quantity	Description
E4037965	1	4	CONTROL; DEFROST CONTROL (105,155,SD12) (QTY 4)
E4037948	2	4	OVERLOAD; COMPRESSOR OVERLOAD (105) (QTY 4)
E4037932	3	4	CAPACITOR; COMPRESSOR CAPACITOR FOR UNITS 70,98,105 (QTY 4)
E4038754	4	4	CAPACITOR; FAN CAPACITOR (98,105)
E4037985	5	4	RELAY; FAN RELAY FOR UNITS 70,98,105,155,205,SD12 (QTY 4)
E4037958	6	4	RELAY; COMPRESSOR RELAY FOR UNITS 70,98,105,155,205,SD12 (QTY 4)
E4037992	7	4	TRANSFORMER; FOR UNITS 70,98,105,155,205,SD12 (QTY 4)
E4037927	8	1	BLOWER; (105) (QTY 4)

DRAIN PAN ASSEMBLY
1051H DEHUMIDIFIER

75012450

REV.
A



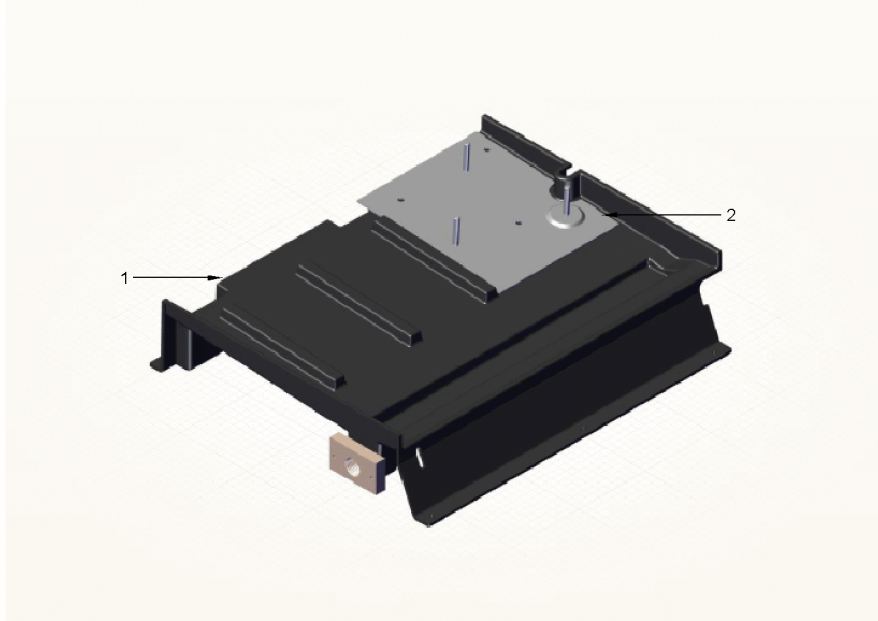
All orderable Service Parts are identified for this product.
Parts that are not identified, will not be available to order.
This is a typical illustration. The unit in the field may not appear exactly as shown.

Part No.	Reference No.	Quantity	Description
75012450_EDHUMUP1_347886~ P	*		DRAIN PAN ASSEMBLY PARTS LIST

DRAIN PAN ASSEMBLY
1051H DEHUMIDIFIER

75012450

REV.
A



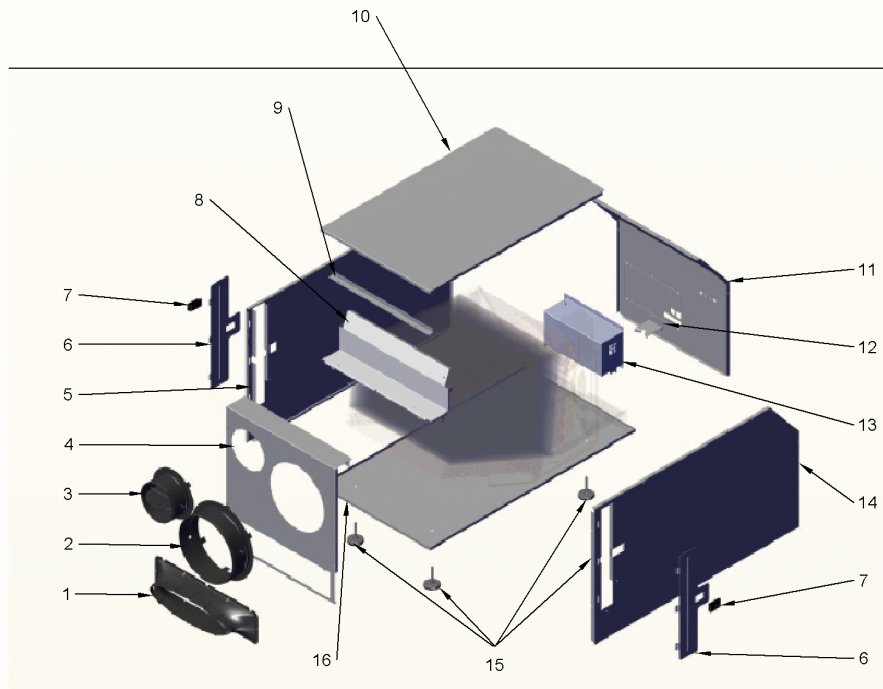
All orderable Service Parts are identified for this product.
Parts that are not identified, will not be available to order.
This is a typical illustration. The unit in the field may not appear exactly as shown.

Part No.	Reference No.	Quantity	Description
4031083-02	1	1	NO DESCRIPTION AVAILABLE
4037406	2	1	NO DESCRIPTION AVAILABLE

CABINET ASSEMBLY
1051H DEHUMIDIFIER

75012448

REV.
A



All orderable Service Parts are identified for this product.

Parts that are not identified, will not be available to order.

This is a typical illustration. The unit in the field may not appear exactly as shown.

Parts List Number :EDHUMUP1#EDHUMUP1

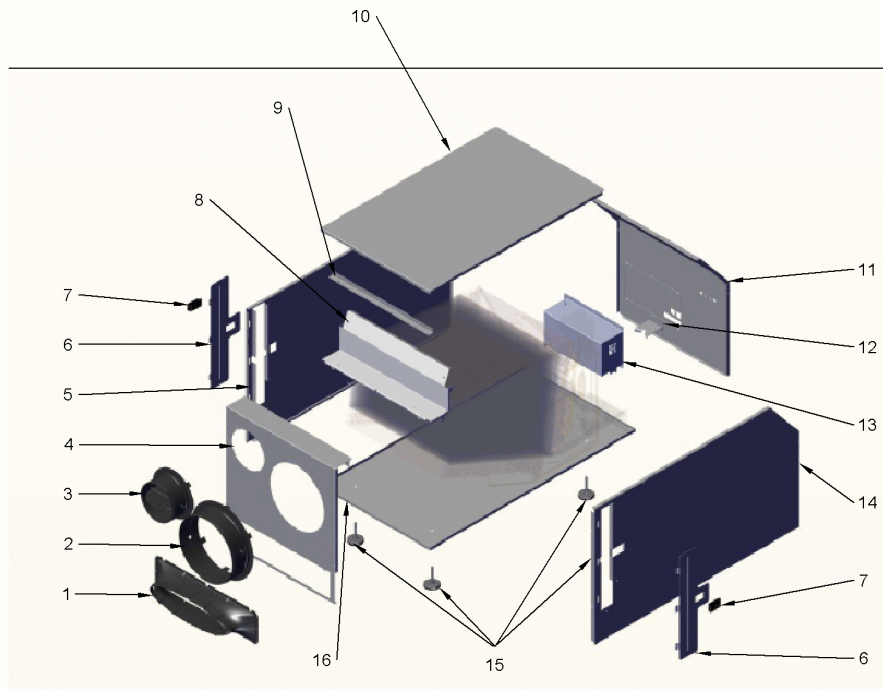
Model Number :EDHUM1051H1MDAA

Part No.	Reference No.	Quantity	Description
75012448_EDHUMUP1_347884~ P	*		CABINET ASSEMBLY PARTS LIST

CABINET ASSEMBLY
1051H DEHUMIDIFIER

75012448

REV.
A



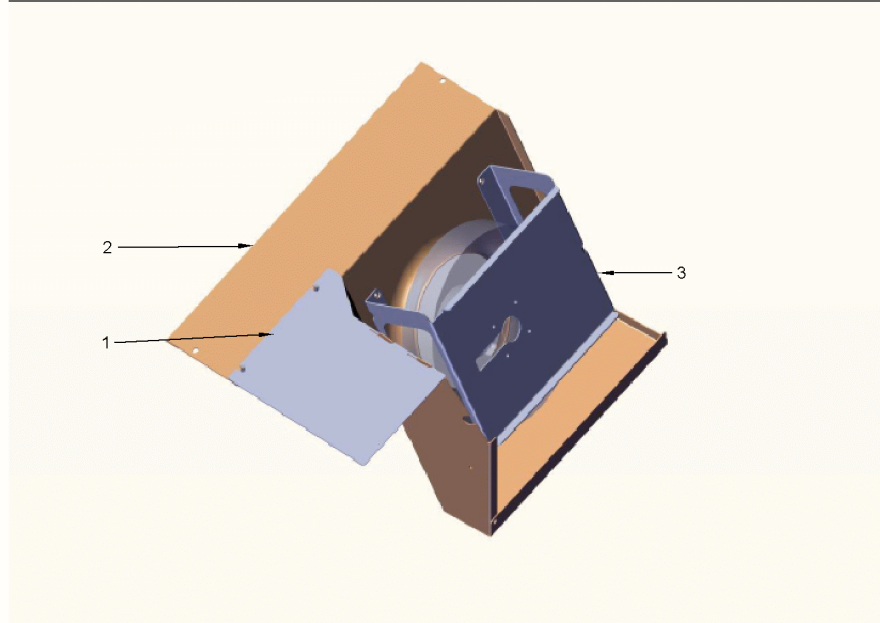
All orderable Service Parts are identified for this product.
Parts that are not identified, will not be available to order.
This is a typical illustration. The unit in the field may not appear exactly as shown.

Part No.	Reference No.	Quantity	Description
4026947	1	1	NO DESCRIPTION AVAILABLE
4029828	2	1	DUCT; COLLAR,PLASTIC,10"
4029829	3	1	TOOL; COLLAR,START W/DMP,6" TPLASTIC
4037796-01	4	1	NO DESCRIPTION AVAILABLE
4037777-01	5	1	NO DESCRIPTION AVAILABLE
4037788-01	6	1	NO DESCRIPTION AVAILABLE
4037789	7	1	NO DESCRIPTION AVAILABLE
4038735	8	1	NO DESCRIPTION AVAILABLE
4037849	9	1	NO DESCRIPTION AVAILABLE
4037816-01	10	1	NO DESCRIPTION AVAILABLE
4037521-01	11	1	NO DESCRIPTION AVAILABLE
4037407	12	1	NO DESCRIPTION AVAILABLE
4037522	13	1	NO DESCRIPTION AVAILABLE
4037769-01	14	1	NO DESCRIPTION AVAILABLE
4026221	15	1	TOOL; FOOT,LEVELING,5/16-18 X 2.25
4034695-01	16	1	NO DESCRIPTION AVAILABLE

IMPELLER BRACKET ASSEMBLY
1051H DEHUMIDIFIER

75012451

REV.
A



All orderable Service Parts are identified for this product.
Parts that are not identified, will not be available to order.
This is a typical illustration. The unit in the field may not appear exactly as shown.

IMPELLER BRACKET

Parts List Number :EDHUMUP1#EDHUMUP1

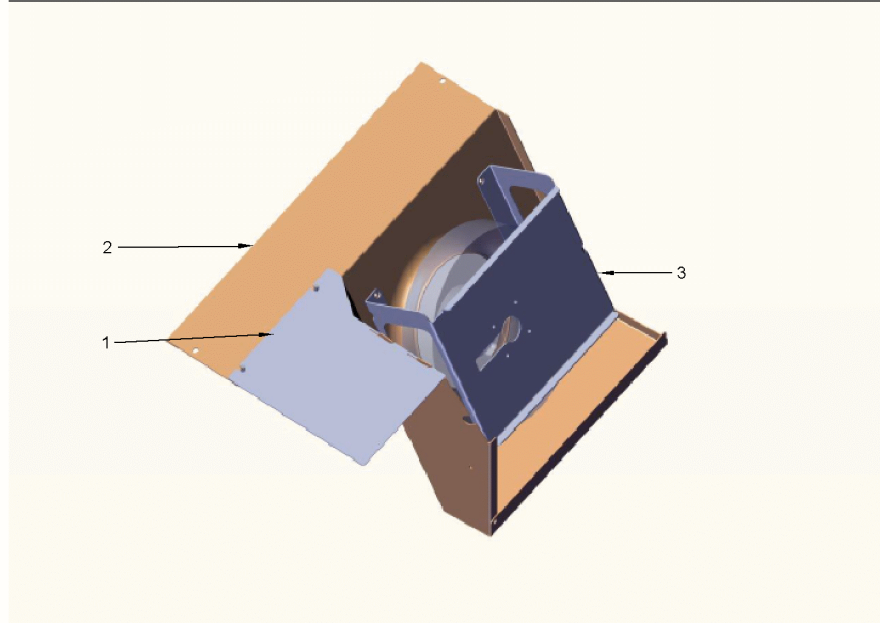
Model Number :EDHUM1051H1MDAA

Part No.	Reference No.	Quantity	Description
75012451_EDHUMUP1_347887~ P	*		IMPELLER BRACKET PARTS LIST

IMPELLER BRACKET ASSEMBLY
1051H DEHUMIDIFIER

75012451

REV.
A



All orderable Service Parts are identified for this product.
Parts that are not identified, will not be available to order.
This is a typical illustration. The unit in the field may not appear exactly as shown.

IMPELLER BRACKET PARTS LIST

Parts List Number :EDHUMUP1#EDHUMUP1

Model Number :EDHUM1051H1MDAA

Part No.	Reference No.	Quantity	Description
4031499	1	1	NO DESCRIPTION AVAILABLE
4031078	2	1	NO DESCRIPTION AVAILABLE
4032198	3	1	NO DESCRIPTION AVAILABLE

ACCESSORIES

75012365

REV.
A

DEHUMIDIFIER

Component PN: Description:

E1007200	TCSCR,HXWH,SS,10-24 X 1/2 F
E1192275	TFSCR,PNTRX,10-24 X 1/2,TRI,ZP
E1287155	RIVET,POP,SS,PH,1/8 X.063-.125
E4017152	HOSE,VINYL,.38 X240.00
E4019652	COLLAR,CASING,6 IN,GALV
E4020656	HOOD,FRESH AIR INLET,SCRND,6IN
E4021332	COLLAR,CASING,10 IN,GALV
E4023647	DAMPER,CHECK,8 INCH
E4023672	DAMPER,ROUND BLADE,6 IN,ELEC
E4024083	BUTTON,SNAP,.25 X 1.50,ZP
E4024368	COLLAR,CASING,10 IN,NO CRIMP
E4024369	FILTER,AIR, 1.75x19.50x23.50
E4024381	FILTER,AIR, 3.75x19.38x23.38
E4024870	TAPE,INSUL,FOAM,.38 X .50
E4025229	CABINET,UPPER,FILTER BOX
E4025230	CABINET,LOWER,FILTER BOX
E4025231	GUIDE,FILTER,FILTER BOX
E4025232	COVER,FILTER BOX
E4025569	ADAPTER,5/8 HOSE X 3/4 MNPT
E4025577	HOSE,CLEAR PVC,90PT HORIZONTAL
E4026566	COVER,BACK,UA DIGITAL CONTROL
E4026568	BUTTONS,MAIN,UA DIGITAL CNTRL
E4026571	CLIP,RETAINING,.091-.097
E4027139	SPACER,RD,NYL,.13 X .25 X .03
E4028532	TERMINAL,3 WIRE SPLICE 26-19
E4029623	TAPE,FOAM,.25 X .50 X 20.20
E4030671	FILTER,AIR, 0.75x9.00x11.38
E4031365	PCB,DEH DIGITAL CONTROL
E4032144	SENSOR ASSY,DEH3000 REMOTE
E4032146	CABLE ASSY,PCB,DEH3000
E4033618	BRACKET,PUMP
E4033894	CLAMP,HOSE,NYL,.597-.680
E4034495	PUMP,CONDENSATE
E4034749-01	COVER,FRONT CONTROL BLANK
E4036568	BRACKET,HANGING,DELTA/COMPACT
E4036687	EYE BOLT,3/8x3-7/8,1-1/8 ID,ZP
E4037568	RATCHET,1/4" W/CLIP
E4037889	LABEL,FILTER BOX,TRANE
ETS-991	INSTR,OPN,SM HANG KIT,TRANE
ETS-993	INSTR,OPN,FILTER BOX,TRANE
ETS-994	INSTR,DEH3000 REMOTE SENSOR TRANE
ETS-995	INSTR,70 PUMP KIT,TRANE

All orderable Service Parts are identified for this product.

Parts that are not identified, will not be available to order.

This is a typical illustration. The unit in the field may not appear exactly as shown.

Parts List Number :EDHUMUP1#EDHUMUP1

Model Number :EDHUM1051H1MDAA

Part No.	Reference No.	Quantity	Description
75012365_EDHUMUP1_249274~ P	*		ACCESSORIES PARTS LIST

ACCESSORIES
 DEHUMIDIFIER

75012365

REV.
 A

Component PN:	Description:
E1007200	TCSCR,HXWH,SS,10-24 X 1/2 F
E1192275	TFSCR,PNTRX,10-24 X 1/2,TRI,ZP
E1287155	RIVET,POP,SS,PH,1/8 X.063-.125
E4017152	HOSE,VINYL,.38 X240.00
E4019652	COLLAR,CASING,6 IN,GALV
E4020656	HOOD,FRESH AIR INLET,SCRND,6IN
E4021332	COLLAR,CASING,10 IN,GALV
E4023647	DAMPER,CHECK,8 INCH
E4023672	DAMPER,ROUND BLADE,6 IN,ELEC
E4024083	BUTTON,SNAP,.25 X 1.50,ZP
E4024368	COLLAR,CASING,10 IN,NO CRIMP
E4024369	FILTER,AIR, 1.75x19.50x23.50
E4024381	FILTER,AIR, 3.75x19.38x23.38
E4024870	TAPE,INSUL,FOAM,.38 X .50
E4025229	CABINET,UPPER,FILTER BOX
E4025230	CABINET,LOWER,FILTER BOX
E4025231	GUIDE,FILTER,FILTER BOX
E4025232	COVER,FILTER BOX
E4025569	ADAPTER,5/8 HOSE X 3/4 MNPT
E4025577	HOSE,CLEAR PVC,90PT HORIZONTAL
E4026566	COVER,BACK,UA DIGITAL CONTROL
E4026568	BUTTONS,MAIN,UA DIGITAL CNTRL
E4026571	CLIP,RETAINING,.091-.097
E4027139	SPACER,RD,NYL,.13 X .25 X .03
E4028532	TERMINAL,3 WIRE SPLICE 26-19
E4029623	TAPE,FOAM,.25 X .50 X 20.20
E4030671	FILTER,AIR, 0.75x9.00x11.38
E4031365	PCB,DEH DIGITAL CONTROL
E4032144	SENSOR ASSY,DEH3000 REMOTE
E4032146	CABLE ASSY,PCB,DEH3000
E4033618	BRACKET,PUMP
E4033894	CLAMP,HOSE,NYL,.597-.680
E4034495	PUMP,CONDENSATE
E4034749-01	COVER,FRONT CONTROL BLANK
E4036568	BRACKET,HANGING,DELTA/COMPACT
E4036687	EYE BOLT,3/8x3-7/8,1-1/8 ID,ZP
E4037568	RATCHET,1/4" W/CLIP
E4037889	LABEL,FILTER BOX,TRANE
ETS-991	INSTR,OPN,SM HANG KIT,TRANE
ETS-993	INSTR,OPN,FILTER BOX,TRANE
ETS-994	INSTR,DEH3000 REMOTE SENSOR TRANE
ETS-995	INSTR,70 PUMP KIT,TRANE

All orderable Service Parts are identified for this product.

Parts that are not identified, will not be available to order.

This is a typical illustration. The unit in the field may not appear exactly as shown.

Parts List Number :EDHUMUP1#EDHUMUP1

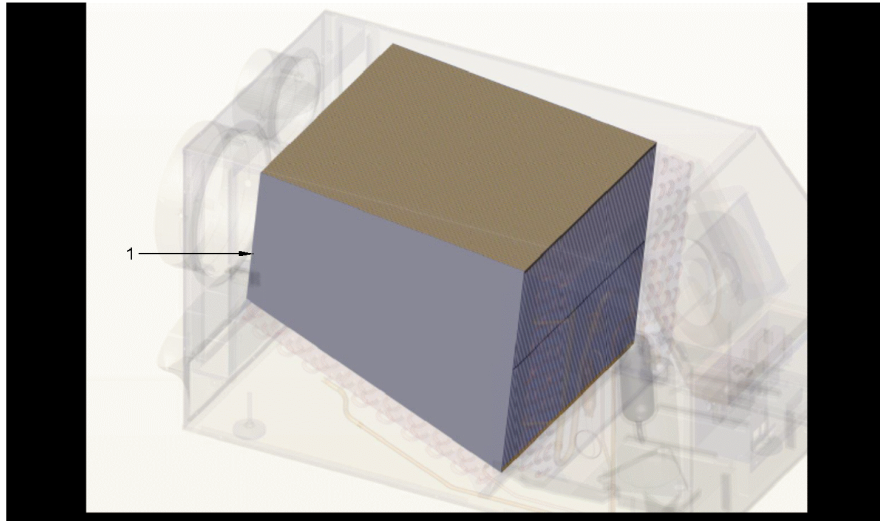
Model Number :EDHUM1051H1MDAA

Part No.	Reference No.	Quantity	Description
E4037861	*	1	MOTORIZED DAMPER-6IN
E4037865	*	1	GRAVITY DAMPER-10IN
E4037867	*	1	10" OVAL-ROUND ADAPTER
E4037872	*	1	HANG KIT-LARGE
E4037878	*	1	FILTER PACK-MERV11-16X20X2-4
E4037885	*	1	FILTER PACK-MERV11-16X20X2-12
E4037891	*	1	FILTER PACK-MERV14-20X24X4-3
E4037893	*	1	D30 CONTROL
E4037897	*	1	D30 CONTROL W REMOTE
E4037905	*	1	CONDENSATE PUMP
E4037907	*	1	INLET HOOD-6IN

HEAT EXCHANGER
1051H DEHUMIDIFIER

75012452

REV.
A



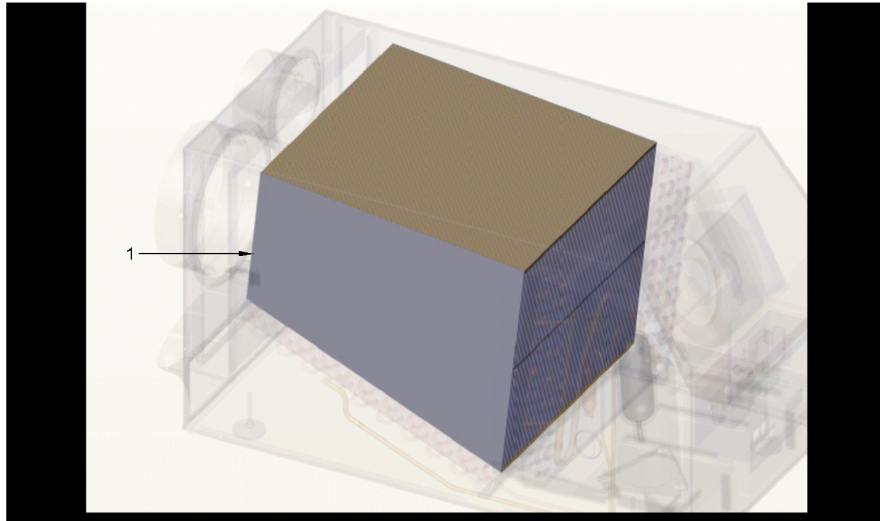
All orderable Service Parts are identified for this product.
Parts that are not identified, will not be available to order.
This is a typical illustration. The unit in the field may not appear exactly as shown.

Part No.	Reference No.	Quantity	Description
75012452_EDHUMUP1_347888~ P	*		HEAT EXCHANGER PARTS LIST

HEAT EXCHANGER
1051H DEHUMIDIFIER

75012452

REV.
A



All orderable Service Parts are identified for this product.
Parts that are not identified, will not be available to order.
This is a typical illustration. The unit in the field may not appear exactly as shown.

Parts List Number :EDHUMUP1#EDHUMUP1

Model Number :EDHUM1051H1MDAA

Part No.	Reference No.	Quantity	Description
4026477	1	1	NO DESCRIPTION AVAILABLE