

Parts List Number :0000147579

Model Number :EDHUM098AH1MNBA

Part No.	Reference No.	Quantity	Description
0000147586~S	*		ACCESSORIES
0000147584~S	*		CABINET ASSEMBLY
0000147582~S	*		CONTROLS SECTION
0000147583~S	*		DRAIN PAN ASSEMBLY
0000147585~S	*		IMPELLER BRACKET
0000147580~S	*		Model Number Description
0000147581~S	*		REFRIGERATION SECTION

ACCESSORIES

Parts List Number :0000147579

Model Number :EDHUM098AH1MNBA

Part No.	Reference No.	Quantity	Description
0000025657~P	*		ACCESSORIES

ACCESSORIES
 DEHUMIDIFIER

75012365

REV.
A

Component PN:	Description:
E1007200	TCSCR,HXWH,SS,10-24 X 1/2 F
E1192275	TFSCR,PNTRX,10-24 X 1/2,TRI,ZP
E1287155	RIVET,POP,SS,PH,1/8 X.063-.125
E4017152	HOSE,VINYL,.38 X240.00
E4019652	COLLAR,CASING,6 IN,GALV
E4020656	HOOD,FRESH AIR INLET,SCRND,6IN
E4021332	COLLAR,CASING,10 IN,GALV
E4023647	DAMPER,CHECK,8 INCH
E4023672	DAMPER,ROUND BLADE,6 IN,ELEC
E4024083	BUTTON,SNAP,.25 X 1.50,ZP
E4024368	COLLAR,CASING,10 IN,NO CRIMP
E4024369	FILTER,AIR, 1.75x19.50x23.50
E4024381	FILTER,AIR, 3.75x19.38x23.38
E4024870	TAPE,INSUL,FOAM,.38 X .50
E4025229	CABINET,UPPER,FILTER BOX
E4025230	CABINET,LOWER,FILTER BOX
E4025231	GUIDE,FILTER,FILTER BOX
E4025232	COVER,FILTER BOX
E4025569	ADAPTER,5/8 HOSE X 3/4 MNPT
E4025577	HOSE,CLEAR PVC,90PT HORIZONTAL
E4026566	COVER,BACK,UA DIGITAL CONTROL
E4026568	BUTTONS,MAIN,UA DIGITAL CNTRL
E4026571	CLIP,RETAINING,.091-.097
E4027139	SPACER,RD,NYL,.13 X .25 X .03
E4028532	TERMINAL,3 WIRE SPLICE 26-19
E4029623	TAPE,FOAM,.25 X .50 X 20.20
E4030671	FILTER,AIR, 0.75x9.00x11.38
E4031365	PCB,DEH DIGITAL CONTROL
E4032144	SENSOR ASSY,DEH3000 REMOTE
E4032146	CABLE ASSY,PCB,DEH3000
E4033618	BRACKET,PUMP
E4033894	CLAMP,HOSE,NYL,.597-.680
E4034495	PUMP,CONDENSATE
E4034749-01	COVER,FRONT CONTROL BLANK
E4036568	BRACKET,HANGING,DELTA/COMPACT
E4036687	EYE BOLT,3/8x3-7/8,1-1/8 ID,ZP
E4037568	RATCHET,1/4" W/CLIP
E4037889	LABEL,FILTER BOX,TRANE
ETS-991	INSTR,OPN,SM HANG KIT,TRANE
ETS-993	INSTR,OPN,FILTER BOX,TRANE
ETS-994	INSTR,DEH3000 REMOTE SENSOR TRANE
ETS-995	INSTR,70 PUMP KIT,TRANE

All orderable Service Parts are identified for this product.

Parts that are not identified, will not be available to order.

This is a typical illustration. The unit in the field may not appear exactly as shown.

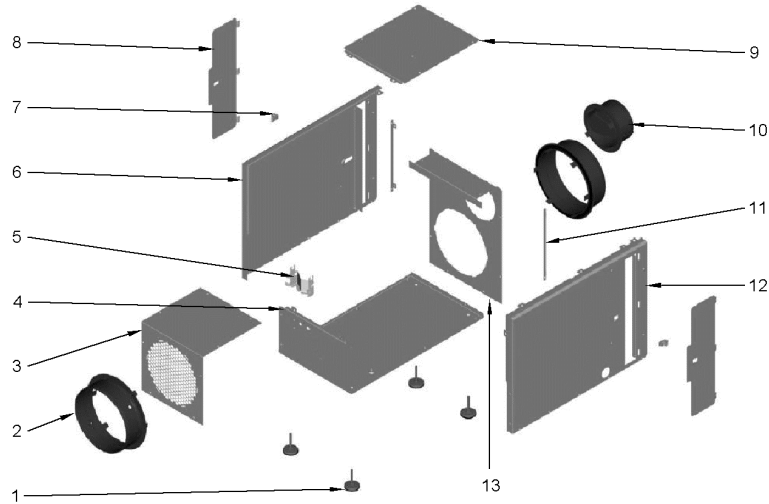
Part No.	Reference No.	Quantity	Description
E4037861	*	1	MOTORIZED DAMPER-6IN
E4037863	*	1	GRAVITY DAMPER-8IN
E4037869	*	1	HANG KIT-SMALL
E4037876	*	1	FILTER PACK-MERV11-14X17.5X1.75-4
E4037883	*	1	FILTER PACK-MERV11-14X17.5X1.75-12
E4037891	*	1	FILTER PACK-MERV14-20X24X4-3
E4037893	*	1	D30 CONTROL
E4037897	*	1	D30 CONTROL W REMOTE
E4037903	*	1	CONDENSATE PUMP
E4037907	*	1	INLET HOOD-6IN

Part No.	Reference No.	Quantity	Description
0000025640~P	*		CABINET ASSEMBLY

CABINET ASSEMBLY
98H DEHUMIDIFIER

75012439

REV.
A



All orderable Service Parts are identified for this product.

Parts that are not identified, will not be available to order.

This is a typical illustration. The unit in the field may not appear exactly as shown.

Part No.	Reference No.	Quantity	Description
4026221	1	4	TOOL; FOOT,LEVELING,5/16-18 X 2.25
4029828	2	2	DUCT; COLLAR,PLASTIC,10"
4039992-01	3	1	PANEL; EXHAUST,UA
4038727-01	4	1	PANEL; BASE,UA
4034273	5	1	BRACKET; CPRSR,DELTA
4039991-01	6	1	PANEL; ROUNDED,LEFT SIDE,UA
4026937	7	2	LATCH; SLIDE,PUSH TO CLOSE
4035763-01	8	2	PLATE; DOOR
4039993-01	9	1	PANEL; TOP,UA
4029829	10	1	TOOL; COLLAR,START W/DMP,6" TPLASTIC
4035764	11	2	BRACKET; FRONT PANEL
4039994-01	12	1	PANEL; ROUNDED,RIGHT SIDE,UA
4035757-01	13	1	PANEL; INTAKE

CONTROLS SECTION

Parts List Number :0000147579

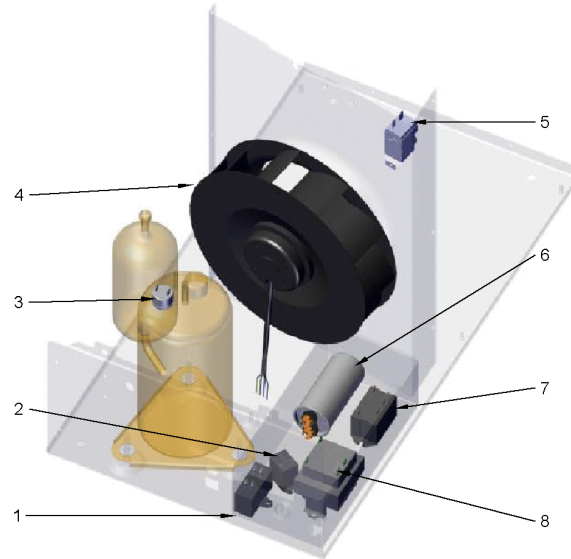
Model Number :EDHUM098AH1MNBA

Part No.	Reference No.	Quantity	Description
0000025638~P	*		CONTROLS SECTION

CONTROLS SECTION
98H DEHUMIDIFIER

75012437

REV.
A



All orderable Service Parts are identified for this product.

Parts that are not identified, will not be available to order.

This is a typical illustration. The unit in the field may not appear exactly as shown.

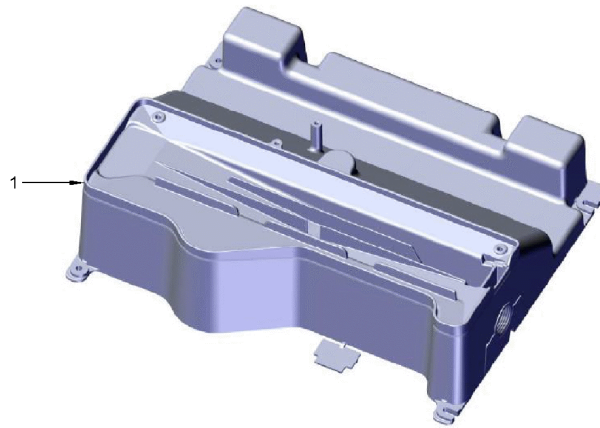
Part No.	Reference No.	Quantity	Description
4036559	*	1	BREAKER; CIRCUIT BREAKER,3A,SNAP-IN
4037722	*	1	FILTER; 98/120 PINT DEHUMIDIFIER FILTER, 1.75X14.00X17.50 (12 PACK)
4039952	*	1	COMPRESSOR; RECHI,8.1 CC,R410A
4035235-02	1	1	CAPACITOR; 5 MFD,370V,DRY
4020924	2	1	RELAY; SPDT, 24V,15A
4039953	3	1	TOOL; OVERLOAD,CPRSR,RECHI
4034431	4	1	FAN; MOTORIZED IMPELLER,530 CFM
4041848	5	1	SWITCH; DEFROST,SS
4033032-07	6	1	CAPACITOR; 55 MFD,370V,OIL
4022484	7	1	RELAY; SPST, 24V,30A,120/240V
4022487	8	1	TRANSFORMER; XFMR,120V,60HZ,24V,40VA

Part No.	Reference No.	Quantity	Description
0000025639~P	*		DRAIN PAN ASSEMBLY

DRAIN PAN ASSEMBLY
98H DEHUMIDIFIER

75012438

REV.
A



All orderable Service Parts are identified for this product.
Parts that are not identified, will not be available to order.
This is a typical illustration. The unit in the field may not appear exactly as shown.

Part No.	Reference No.	Quantity	Description
4031052	1	1	PAN; DRAIN PAN,DELTA

IMPELLER BRACKET

Parts List Number :0000147579

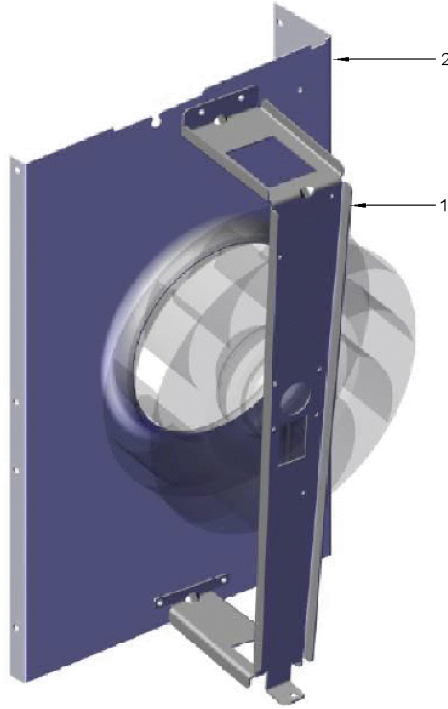
Model Number :EDHUM098AH1MNBA

Part No.	Reference No.	Quantity	Description
0000025656~P	*		IMPELLER BRACKET

IMPELLER BRACKET
98H DEHUMIDIFIER

75012440

REV.
A



All orderable Service Parts are identified for this product.
Parts that are not identified, will not be available to order.
This is a typical illustration. The unit in the field may not appear exactly as shown.

Part No.	Reference No.	Quantity	Description
4035589	1	1	BRACKET; IMPELLER
4035754	2	1	TOOL; SHROUD,FAN

Part No.	Reference No.	Quantity	Description
0000025636~P	*		Model Number Description

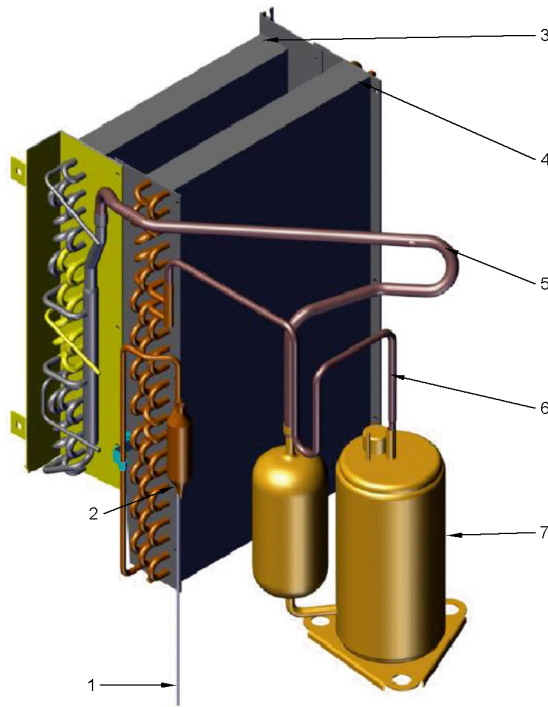
MODEL NUMBER DESCRIPTION	75014804	REV A
DEHUMIDIFIER		
<p style="text-align: center;"><i>Example Model Number:</i> EDHUM70HAH1MNBA 1 - - - - 5 - - - - 10 - - - - 15</p>		
<p>Digits 1 – Brand E = EnviroWise (Generic)</p>		
<p>Digits 2, 3, 4, 5 – Accessory Type DHUM = Dehumidifier</p>		
<p>Digits 6, 7, 8 – Model Series 70H = 70 ppd, 1800 sq.' 098 = 98 ppd, 2300 sq.' 155 = 155 ppd, 3500 sq.', Hi Eff. S12 = 185 ppd, 4000 sq.' Split System 120 = 120 ppd, 3000 sq.' Confined Space 105 = 105 ppd, 2500 sq.' Hi Eff. 205 = 205 ppd, 5000 sq.' Hi Eff.</p>		
<p>Digits 9 – Major Design Change A = Design Series</p>		
<p>Digits 10 – Configuration H = Horizontal, Ducted Attic, Basement, Crawl, 70V, 098, 105, 155, 205 Models V = Vertical, Closet or Limited Space, 100 Model S = Split System Indoor and Outdoor Section S12 Split Model</p>		
<p>Digits 11 – Voltage Supplied Wiring 1 = 115 VAC, 9' Cord, Grounded Plug</p>		
<p>Digits 12 – Controls M = Wired 24V terminals. Requires Nexia enabled thermostat, or optional DEH 3000 proprietary control</p>		
<p>Digits 13 – Application D = Dedicated Ventilating Dehumidifier 70V Mdl N = Dehumidifier w/optional ventilation</p>		
<p>Digits 14 – Minor Design Change B = Design Change</p>		
<p>Digits 15 – Service Digit-Not Orderable A = Service Digit</p>		
<p>All orderable Service Parts are identified for this product. Parts that are not identified, will not be available to order. This is a typical illustration. The unit in the field may not appear exactly as shown.</p>		

Part No.	Reference No.	Quantity	Description
0000025637~P	*		REFRIGERATION SECTION

REFRIGERATION SECTION
98H DEHUMIDIFIER

75012436

REV.
A



All orderable Service Parts are identified for this product.

Parts that are not identified, will not be available to order.

This is a typical illustration. The unit in the field may not appear exactly as shown.

Part No.	Reference No.	Quantity	Description
4036164-01	1	3	TUBE; CU,CPLRY,.036X.087X 35.00
4029510	2	1	FILTER; DRIER,2 IN X 3 OUT
4034887-04	3	1	COIL; EVAPORATOR,E-COAT
4035868	4	1	COIL; CONDENSER
4039954-01	5	1	TUBE; SUCTION
4039955-01	6	1	TUBE; DISCHARGE