

Job Name : _____
 Purchaser : _____
 Engineer : _____
 Submitted To : _____
 Submitted By : _____
 Unit Designation : Schedule No.: _____

Location : _____
 P.O. No. : _____
 Architect : _____
 Date : _____
 For : Reference Approval Construction
 Model No.: _____

Submittal Data : LMU366HV

Flex Multi-Split Inverter Heat Pump Outdoor Unit



Standard Features :

- Five Year Compressor Warranty
- Two Year Functional Parts Warranty
- Defrost/Deicing
- Restart delay (3-minutes)
- Self diagnosis
- Soft start
- Auto Operation (Artificial intelligence)
- Auto restart operation
- Low ambient operation
- Gold Fin™ Anti-Corrosion Treatment for Condenser



Specification :

Capacity * (BTUs)	36,000 Class
Power Input (Min.~Rated~Max.)	
Cooling (kW)	0.72~3.75~3.92
Heating (kW)	0.72~3.70~4.10
Running Current (Min.~Rated~Max.)	
Cooling (A)	3.0~17.4~18.2
Heating (A)	4.5~17.2~18.8
Power Supply (V, Hz, Ph)	208/230, 60, 1
Power Supply Cable (No. x AWG)	3 x 12
Transmission Cable (No. x AWG)	4 x 18
(Outdoor to Indoor Unit)	
Dimension (WxHxD, inches)	34 1/4 x 31 13/16 x 12 9/16
Net Weight (lbs)	143.3
Max. # of Connectable Indoor Units	4
Refrigerant	
Charge (at 24.6ft. oz)	89.95
Type	R 410a
Control	EEV
Sound Level (H/L, dB(A)+3)	52

Specification :

Piping Connections	
Liquid (inches)	1/4 x 4EA
Gas (inches)	3/8 x 4EA
Piping length spec.	
Max. total piping (ft.)	246.1
Max. OD~ID piping (ft.)	82.0
Piping length (no add'l refrigerant, ft.)	123.0
Max. Elevation Difference	
Outdoor Unit ~ Indoor Unit (ft.)	49.2
Indoor Unit ~ Indoor Unit (ft.)	24.6
Operation Range (Outdoor)	
Cooling (°F)	14~114.8
Heating (°F)	5~75.2

- Capacities are based on the following conditions :
 Cooling : - Indoor Temperature 80°F DB / 67°F WB
 - Outdoor Temperature 95°F DB / 75°F WB
 Heating : - Indoor Temperature 70°F DB / 60°F WB
 - Outdoor Temperature 47°F DB / 43°F WB
 Piping Length : - Interconnecting Piping Length 24.6ft.
 - Level Difference of Zero
- Wiring cable size must comply with the applicable local and national code.
- The specification may be subject to change without prior notice for purpose of improvement.
- For more capacity(*) information, refer to the combination tables.
- The data mentioned in the above table are only for non-ducted type of indoor unit.

Combination Performance Table :

System	Combined With	Normal	EER	SEER	Normal	COP	Low	COP	HSPF
		Cooling Capacity			Heating Capacity		Heating Capacity		
		Btu/h			Btu/h		Btu/h		
LMU366HV	Non-Ducted Indoor Unit	32,300	8.60	18.0	35,400	2.80	26,100	2.3	9.10
	Ducted Indoor Unit	33,000	8.70	17.0	37,000	3.10	27,400	2.4	9.00
	Mixed Ducted & Non-Ducted	32,650	8.65	17.5	36,200	2.90	26,700	2.4	9.05

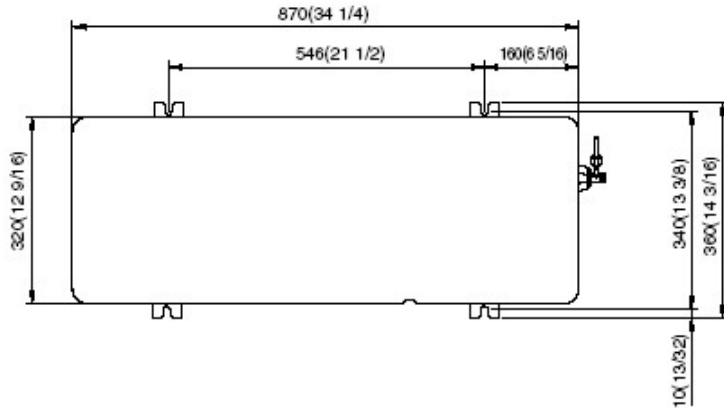
Note :

Submittal Data : LMU366HV

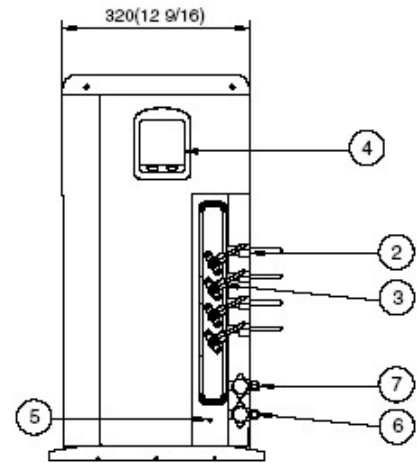
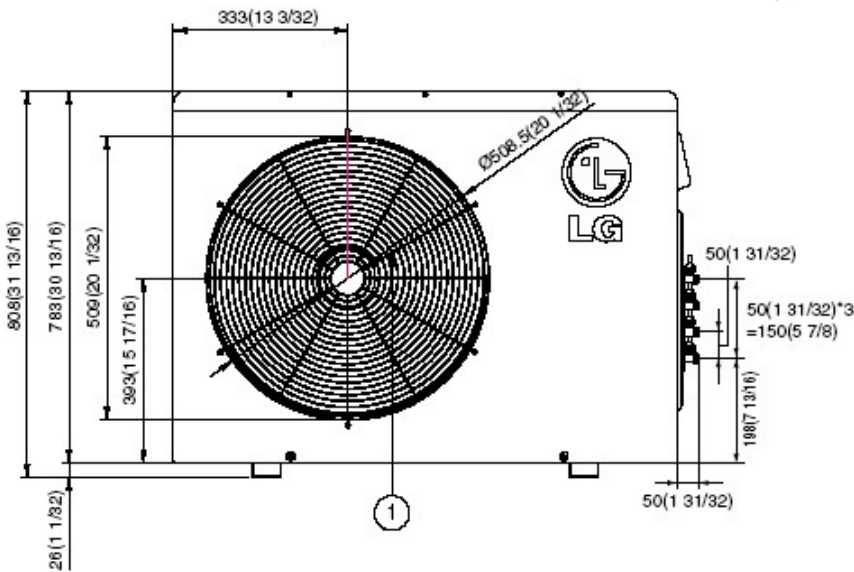
Flex Multi-Split Inverter
Heat Pump Outdoor Unit



Dimension :



- ① Air Discharge Grille
- ② Gas Pipe Connection
- ③ Liquid Pipe Connection
- ④ Power & Communication Cable Connection
- ⑤ Earth Ground Screw
- ⑥ Main Service Valve (Liquid)
- ⑦ Main Service Valve (Gas)



Unit:mm(inch)

Compatible Indoor Units :

Standard Wall Mounted Indoor Unit :
LMN095HV, LMN125HV, LMN185HV



Wireless Remote Controller
included in indoor unit package

Ceiling Concealed Indoor Unit :
LMDN095HV, LMDN125HV, LMDN185HV



Wired Wall Thermostat
included in indoor unit package

Art Cool Wall Mounted Indoor Unit :
LMAN095HV, LMAN125HV, LMAN185HV



Wireless Remote Controller
included in indoor unit package

Ceiling Cassette Indoor Unit :
LMCN125HV, LMCN185HV



Wireless Remote Controller
included in indoor unit package

Submittal Data : LMU366HV

Flex Multi-Split Inverter Heat Pump Outdoor Unit



Combination Table :

Non Ducted Type Indoor Unit Cooling	Combination of Indoor Unit (kBTU/h Class)												Room Capacity				Total Capacity				Input(W)		Current(A)		EER	SEER
	Indoor Unit (kBTU/h Class)			Total	UNIT-A	UNIT-B	UNIT-C	UNIT-D	UNIT-A	UNIT-B	UNIT-C	UNIT-D	Min	Middle	Max	Min	Rated	Max	Min	Rated	Max	Max	Max			
	UNIT-A	UNIT-B	UNIT-C		UNIT-D	UNIT-A	UNIT-B	UNIT-C	UNIT-D	BTU/h	kW	BTU/h	kW	BTU/h	kW	BTU/h	kW	BTU/h	kW	BTU/h	kW	BTU/h	kW			
2 INDOOR UNITS	9	9	-	-	18	9,000	9,000	-	-	18,000	5.3	18,000	5.3	18,000	5.8	930	1,550	4.3	7.2	11.3	10.6	15.1				
	9	12	-	-	21	9,000	12,000	-	-	21,000	6.2	21,000	6.2	21,000	6.8	1,020	1,700	4.7	7.9	12.2	11.4	15.3				
	12	12	-	-	24	12,000	12,000	-	-	24,000	7.1	24,000	7.1	24,000	7.8	1,116	1,860	5.2	8.6	13.1	11.9	15.7				
	9	18	-	-	27	9,000	18,000	-	-	27,000	8.7	27,000	8.7	27,000	9.4	1,260	2,200	6.1	10.2	15.2	11.3	16.4				
	12	18	-	-	30	11,600	17,400	-	-	29,000	8.5	29,000	8.5	29,000	9.4	1,758	2,930	3,710	8.2	13.6	17.2	8.9	16.4			
	18	18	-	-	36	16,500	16,500	-	-	33,000	9.7	33,000	9.7	33,000	10.3	2,160	3,600	3,920	10.0	16.7	18.2	8.2	16.4			
3 INDOOR UNITS	9	9	9	-	27	9,000	9,000	9,000	-	27,000	7.9	27,000	7.9	27,000	8.7	1,320	2,200	3,270	6.1	10.2	15.2	11.8	16.8			
	9	12	-	-	30	9,000	9,000	12,000	-	30,000	8.8	30,000	8.8	30,000	9.7	1,758	2,920	3,710	8.2	13.6	17.2	9.7	16.8			
	9	12	12	-	33	8,618	11,491	11,491	-	31,600	10.1	31,600	10.1	31,600	10.1	1,992	3,320	3,815	9.2	15.4	17.7	9.0	16.8			
	12	12	-	-	36	10,767	10,767	10,767	-	32,300	9.5	32,300	9.5	32,300	10.6	2,160	3,600	3,920	10.0	16.7	18.2	8.5	16.8			
	9	9	18	-	36	8,075	8,075	16,150	-	32,300	9.5	32,300	9.5	32,300	10.6	2,160	3,600	3,920	10.0	16.7	18.2	8.5	17.0			
	9	12	18	-	39	7,454	9,938	14,908	-	32,300	9.5	32,300	9.5	32,300	10.6	2,160	3,600	3,920	10.0	16.7	18.2	8.5	17.0			
	12	12	18	-	42	9,229	13,843	13,843	-	32,300	9.5	32,300	9.5	32,300	10.6	2,160	3,600	3,920	10.0	16.7	18.2	8.5	17.0			
	9	18	18	-	45	6,460	12,920	12,920	-	32,300	9.5	32,300	9.5	32,300	10.6	2,160	3,600	3,920	10.0	16.7	18.2	8.5	17.0			
	12	18	18	-	48	8,075	12,113	12,113	-	32,300	9.5	32,300	9.5	32,300	10.6	2,160	3,600	3,920	10.0	16.7	18.2	8.5	17.0			
4 INDOOR UNITS	9	9	9	9	36	8,075	8,075	8,075	8,075	32,300	9.5	32,300	9.5	32,300	10.6	2,250	3,750	3,920	10.4	17.4	18.2	8.6	18.0			
	9	9	9	12	39	7,454	7,454	7,454	9,898	32,300	9.5	32,300	9.5	32,300	10.6	2,250	3,750	3,920	10.4	17.4	18.2	8.6	18.0			
	9	9	12	12	42	6,921	9,229	9,229	11,491	32,300	9.5	32,300	9.5	32,300	10.6	2,250	3,750	3,920	10.4	17.4	18.2	8.6	18.0			
	9	12	12	-	45	6,460	8,613	8,613	10,114	32,300	9.5	32,300	9.5	32,300	10.6	2,250	3,750	3,920	10.4	17.4	18.2	8.6	18.0			
	9	9	9	18	45	6,460	6,460	6,460	12,920	32,300	9.5	32,300	9.5	32,300	10.6	2,250	3,750	3,920	10.4	17.4	18.2	8.6	18.0			
	12	12	12	12	48	8,075	8,075	8,075	8,075	32,300	9.5	32,300	9.5	32,300	10.6	2,250	3,750	3,920	10.4	17.4	18.2	8.6	18.0			

Heating	Combination of Indoor Unit (kBTU/h Class)												Room Capacity				Total Capacity				Input(W)		Current(A)		COP	HSPF
	Indoor Unit (kBTU/h Class)			Total	UNIT-A	UNIT-B	UNIT-C	UNIT-D	UNIT-A	UNIT-B	UNIT-C	UNIT-D	Min	Middle	Max	Min	Rated	Max	Min	Rated	Max	Max	Max			
	UNIT-A	UNIT-B	UNIT-C		UNIT-D	UNIT-A	UNIT-B	UNIT-C	UNIT-D	BTU/h	kW	BTU/h	kW	BTU/h	kW	BTU/h	kW	BTU/h	kW	BTU/h	kW	BTU/h	kW			
2 INDOOR UNITS	9	9	-	-	18	10,350	10,350	-	-	20,700	6.1	20,700	6.1	20,700	6.7	1,554	2,590	3,090	7.2	12.0	14.3	2.3	8.5			
	9	12	-	-	21	10,329	13,771	-	-	24,100	7.1	24,100	7.1	24,100	7.8	1,608	2,680	3,100	7.5	12.4	14.4	2.6	8.5			
	12	12	-	-	24	13,800	13,800	-	-	27,600	8.1	27,600	8.1	27,600	8.9	1,662	2,770	3,300	7.7	12.8	15.3	2.9	8.5			
	9	18	-	-	27	10,000	20,000	-	-	30,000	8.8	30,000	8.8	30,000	9.7	1,770	2,950	3,500	8.2	13.7	16.2	3.0	8.7			
	12	18	-	-	30	13,200	19,800	-	-	33,000	9.7	33,000	9.7	33,000	10.7	1,878	3,130	4,010	8.7	14.5	18.6	3.1	8.7			
	18	18	-	-	36	17,000	17,000	-	-	34,000	10.0	34,000	10.0	34,000	11.0	2,166	3,610	4,010	10.0	16.7	18.6	2.8	8.7			
3 INDOOR UNITS	9	9	9	-	27	10,323	10,323	10,323	-	30,969	5.5	30,969	5.5	30,969	6.0	1,800	3,000	3,500	8.3	13.9	16.2	3.0	8.9			
	9	12	-	-	30	10,200	10,200	13,600	-	34,000	10.0	34,000	10.0	34,000	11.0	1,932	3,220	4,000	9.0	14.9	18.6	3.1	8.9			
	9	12	12	-	33	9,545	12,727	12,727	-	34,999	10.3	34,999	10.3	34,999	11.3	2,076	3,460	4,050	9.6	16.0	18.8	3.0	8.9			
	12	12	-	-	36	11,800	11,800	11,800	-	35,400	10.4	35,400	10.4	35,400	10.4	2,220	3,700	4,100	10.3	17.2	18.8	2.8	8.9			
	9	9	18	-	36	8,850	8,850	17,700	-	35,400	10.4	35,400	10.4	35,400	10.4	2,220	3,700	4,100	10.3	17.2	18.8	2.8	8.9			
	9	12	18	-	39	8,169	10,892	16,338	-	35,400	10.4	35,400	10.4	35,400	10.4	2,220	3,700	4,100	10.3	17.2	18.8	2.8	8.9			
	12	12	18	-	42	10,114	10,114	15,171	-	35,400	10.4	35,400	10.4	35,400	10.4	2,220	3,700	4,100	10.3	17.2	18.8	2.8	8.9			
	9	18	18	-	45	7,080	14,160	14,160	-	35,400	10.4	35,400	10.4	35,400	10.4	2,220	3,700	4,100	10.3	17.2	18.8	2.8	8.9			
4 INDOOR UNITS	9	9	18	-	48	8,850	13,275	13,275	-	35,400	10.4	35,400	10.4	35,400	10.4	2,220	3,700	4,100	10.3	17.2	18.8	2.8	8.9			
	9	9	12	-	30	8,850	8,850	8,850	8,850	35,400	10.4	35,400	10.4	35,400	10.4	2,220	3,700	4,100	10.3	17.2	18.8	2.8	8.9			
	9	9	12	12	36	8,169	8,169	8,169	10,892	35,400	10.4	35,400	10.4	35,400	10.4	2,220	3,700	4,100	10.3	17.2	18.8	2.8	8.9			
	9	9	12	12	42	7,586	7,586	10,114	10,114	35,400	10.4	35,400	10.4	35,400	10.4	2,220	3,700	4,100	10.3	17.2	18.8	2.8	8.9			
	9	12	12	-	45	7,080	9,440	9,440	14,160	35,400	10.4	35,400	10.4	35,400	10.4	2,220	3,700	4,100	10.3	17.2	18.8	2.8	8.9			
	9	9	18	-	45	7,080	7,080	14,160	14,160	35,400	10.4	35,400	10.4	35,400	10.4	2,220	3,700	4,100	10.3	17.2	18.8	2.8	8.9			
	12	12	12	12	48	8,850	8,850	8,850	8,850	35,400	10.4	35,400	10.4	35,400	10.4	2,220	3,700	4,100	10.3	17.2	18.8	2.8	8.9			



Combination Table :

Ducted Type Indoor Unit Cooling	Combination of Indoor Unit (kBTU/h Class)				Room Capacity				Total Capacity				Input(W)		Current(A)		EER	SEER						
	INDOOR UNIT	UNIT-A	UNIT-B	UNIT-C	UNIT-D	Total	UNIT-A (BTU/h)	UNIT-B (BTU/h)	UNIT-C (BTU/h)	UNIT-D (BTU/h)	Min		Middle		Max				Rated	Max				
											BTU/h	kW	BTU/h	kW	BTU/h	kW					BTU/h	kW		
2 INDOOR UNITS	9	9	-	-	-	18	9,000	9,000	-	-	18,000	3.2	19,000	5.3	19,900	5.8	980	1,620	2,560	4.5	7.6	11.9	10	14.3
	9	12	-	-	-	21	9,000	12,000	-	-	12,000	3.7	21,000	6.2	23,100	6.8	1,080	1,790	2,760	5.0	8.3	12.8	10.7	14.5
	12	12	-	-	-	24	12,000	12,000	-	-	24,000	4.2	24,000	7.1	26,400	7.8	1,170	1,960	2,970	5.4	9.0	13.8	11.3	14.9
	9	18	-	-	-	27	9,000	18,000	-	-	16,200	4.8	27,000	7.9	29,700	8.7	1,390	2,310	3,430	6.4	10.7	15.9	10.7	15.6
3 INDOOR UNITS	9	12	18	-	-	30	11,600	17,400	-	-	17,400	5.1	29,000	8.5	32,000	9.4	1,690	2,960	3,900	7.7	13.7	18.1	9.8	15.6
	9	18	-	-	-	36	16,500	16,500	-	-	19,800	5.8	33,000	9.7	35,000	10.3	2,230	3,800	4,010	10.3	17.6	18.6	8.7	15.6
	12	12	-	-	-	27	9,000	9,000	-	-	16,200	4.8	27,000	7.9	29,700	8.7	1,390	2,310	3,430	6.4	10.7	15.9	11.7	16.0
	9	9	9	-	-	30	9,000	9,000	12,000	-	18,000	5.3	30,000	8.8	33,000	9.7	1,660	2,960	3,900	7.7	13.7	18.1	10.1	16.0
4 INDOOR UNITS	9	12	12	-	-	33	8,618	11,491	11,491	-	18,960	5.6	31,600	9.3	34,500	10.1	1,900	3,370	4,010	8.8	15.6	18.6	9.4	16.0
	12	12	12	-	-	36	11,000	11,000	11,000	-	19,800	5.8	33,000	9.7	36,000	10.6	2,220	3,800	4,010	10.3	17.6	18.6	8.7	16.0
	9	9	18	-	-	36	8,250	8,250	16,500	-	19,800	5.8	33,000	9.7	36,000	10.6	2,220	3,800	4,010	10.3	17.6	18.6	8.7	16.2
	9	12	18	-	-	39	7,615	10,154	15,231	-	19,800	5.8	33,000	9.7	36,000	10.6	2,220	3,800	4,010	10.3	17.6	18.6	8.7	16.2

Ducted Type Indoor Unit continued Cooling

Ducted Type Indoor Unit continued Cooling	Combination of Indoor Unit (kBTU/h Class)				Room Capacity				Total Capacity				Input(W)		Current(A)		EER	SEER						
	INDOOR UNIT	UNIT-A	UNIT-B	UNIT-C	UNIT-D	Total	UNIT-A (BTU/h)	UNIT-B (BTU/h)	UNIT-C (BTU/h)	UNIT-D (BTU/h)	Min		Middle		Max				Rated	Max				
											BTU/h	kW	BTU/h	kW	BTU/h	kW					BTU/h	kW		
2 INDOOR UNITS	12	12	18	-	-	42	9,429	9,429	14,143	-	19,800	5.8	33,000	9.7	33,000	10.6	2,220	3,800	4,010	10.3	17.6	18.6	8.7	16.2
	9	18	18	-	-	45	6,600	13,200	13,200	-	19,800	5.8	33,000	9.7	33,000	10.6	2,220	3,800	4,010	10.3	17.6	18.6	8.7	16.6
	12	18	18	-	-	48	8,250	12,375	12,375	-	19,800	5.8	33,000	9.7	33,000	10.6	2,220	3,800	4,010	10.3	17.6	18.6	8.7	17.0
	9	9	9	9	-	36	8,250	8,250	8,250	8,250	19,800	5.8	33,000	9.7	33,000	10.6	2,220	3,800	4,010	10.3	17.6	18.6	8.7	17.0
4 INDOOR UNITS	9	9	12	39	-	51	7,615	7,615	10,154	-	19,800	5.8	33,000	9.7	33,000	10.6	2,220	3,800	4,010	10.3	17.6	18.6	8.7	17.0
	9	9	12	42	-	54	7,071	9,429	9,429	-	19,800	5.8	33,000	9.7	33,000	10.6	2,220	3,800	4,010	10.3	17.6	18.6	8.7	17.0
	9	12	12	45	-	57	6,600	8,800	8,800	-	19,800	5.8	33,000	9.7	33,000	10.6	2,220	3,800	4,010	10.3	17.6	18.6	8.7	17.0
	9	9	9	18	45	6,600	6,600	6,600	13,200	-	19,800	5.8	33,000	9.7	33,000	10.6	2,220	3,800	4,010	10.3	17.6	18.6	8.7	17.0
3 INDOOR UNITS	12	12	12	48	-	60	8,250	8,250	8,250	-	19,800	5.8	33,000	9.7	33,000	10.6	2,220	3,800	4,010	10.3	17.6	18.6	8.7	17.0

Heating

Heating	Combination of Indoor Unit (kBTU/h Class)				Room Capacity				Total Capacity				Input(W)		Current(A)		COP	HSPF						
	INDOOR UNIT	UNIT-A	UNIT-B	UNIT-C	UNIT-D	Total	UNIT-A (BTU/h)	UNIT-B (BTU/h)	UNIT-C (BTU/h)	UNIT-D (BTU/h)	Min		Middle		Max				Rated	Max				
											BTU/h	kW	BTU/h	kW	BTU/h	kW					BTU/h	kW		
2 INDOOR UNITS	9	9	-	-	-	18	10,350	10,350	-	-	12,420	3.7	20,700	6.1	22,770	6.7	1,480	2,460	2,940	6.9	11.4	13.6	2.5	8.1
	9	12	-	-	-	21	10,350	13,800	-	-	14,490	4.3	24,150	7.1	26,560	7.8	1,530	2,550	2,950	7.1	11.8	13.7	2.8	8.1
	12	12	-	-	-	24	13,800	13,800	-	-	16,560	4.9	27,600	8.1	30,260	8.9	1,580	2,630	3,140	7.3	12.2	14.6	3.1	8.1
	9	18	-	-	-	27	10,350	20,700	-	-	18,630	5.5	31,050	9.1	34,150	10.0	1,680	2,800	3,290	7.8	13.0	15.4	3.2	8.3
3 INDOOR UNITS	12	18	-	-	-	30	13,240	20,010	-	-	20,010	5.9	33,350	9.8	36,680	10.8	1,780	2,970	3,810	8.3	13.8	17.7	3.3	8.3
	18	18	-	-	-	36	18,975	18,975	-	-	22,770	6.7	37,950	11.2	40,000	11.8	2,060	3,430	3,810	9.6	15.9	17.7	3.2	9.3
	9	9	9	-	-	27	10,350	10,350	10,350	-	18,660	5.5	31,050	9.1	35,700	10.5	1,710	2,850	3,590	7.9	13.2	15.4	3.2	8.5
	9	12	12	-	-	30	10,350	10,350	13,800	-	20,700	6.1	34,500	10.1	38,640	11.4	1,840	3,060	3,800	8.5	14.2	17.6	3.3	8.5
4 INDOOR UNITS	9	12	12	-	-	33	9,911	12,215	13,215	-	21,804	6.4	36,340	10.7	39,820	11.7	1,970	3,290	3,850	9.1	15.3	17.9	3.2	8.5
	12	12	12	-	-	36	12,333	12,333	12,333	-	22,200	6.5	37,000	10.9	41,000	12.1	2,110	3,520	3,900	9.8	16.3	18.1	3.1	8.5
	9	9	18	-	-	39	8,538	9,250	18,500	-	22,200	6.5	37,000	10.9	41,000	12.1	2,110	3,520	3,900	9.8	16.3	18.1	3.1	8.6
	12	12	18	-	-	42	10,571	15,857	17,077	-	22,200	6.5	37,000	10.9	41,000	12.1	2,110	3,520	3,900	9.8	16.3	18.1	3.1	8.6
4 INDOOR UNITS	9	9	9	9	-	48	9,250	13,875	13,875	-	22,200	6.5	37,000	10.9	42,000	12.2	2,110	3,520	3,900	9.8	16.3	18.1	3.1	8.9
	9	9	9	9	9	36	9,250	9,250	9,250	9,250	22,200	6.5	37,000	10.9	41,000	12.1	2,110	3,520	3,900	9.8	16.3	18.1	3.1	9.0
	9	12	12	12	12	42	7,929	7,929	10,571	10,571	22,200	6.5	37,000	10.9	41,000	12.2	2,110	3,520	3,900	9.8	16.3	18.1	3.1	9.0
	9	9	9	9	18	45	7,400	9,867	9,867	14,800	22,200	6.5	37,000	10.9	42,000	12.3	2,110	3,520	3,900	9.8	16.3	18.1	3.1	9.0
3 INDOOR UNITS	12	12	12	18	45	7,400	7,400	7,400	14,800	22,200	6.5	37,000	10.9	42,000	12.3	2,110	3,520	3,900	9.8	16.3	18.1	3.1	9.0	
	12	12	12	12	48	9,250	9,250	9,250	9,250	22,200	6.5	37,000	10.9	42,000	12.3	2,110	3,520	3,900	9.8	16.3	18.1	3.1	9.0	