

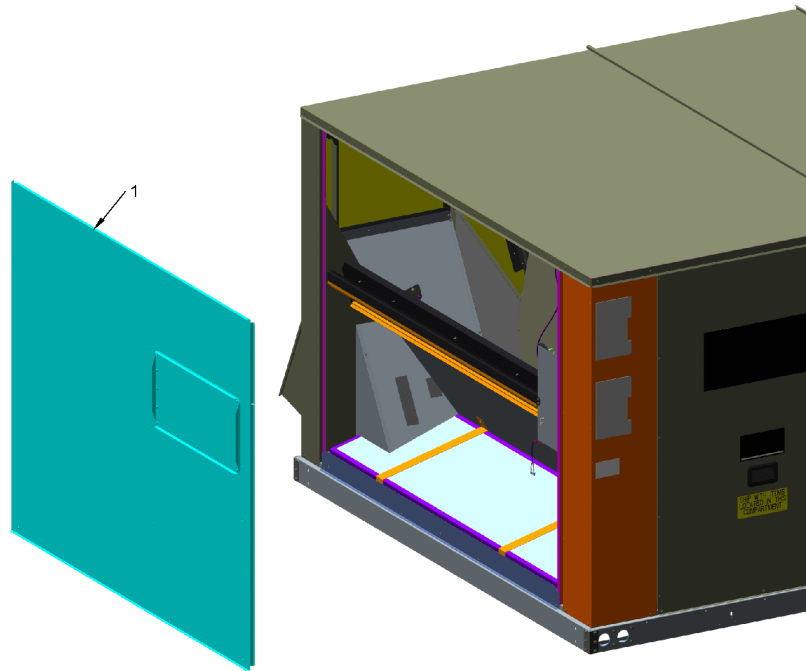
Part No.	Reference No.	Quantity	Description
75010426	SEC 01		MODEL NUMBER DESCRIPTION
75012836	SEC 02		ELECTRIC HEAT CASING
75012856	SEC 02		END PANEL, NO ECONOMIZER
75010428	SEC 02		EXTERIOR PANELS
75012855	SEC 02		TOP PANEL
75010429	SEC 03		OUTDOOR COILS
75010431	SEC 05		INDOOR COIL FILTERS
75010432	SEC 06		INDOOR COIL
75010437	SEC 11		ELECTRIC HEAT ASSEMBLY
75010438	SEC 12		INDOOR FAN ASSEMBLY
75010439	SEC 13		OUTDOOR FAN ASSEMBLY
75012841	SEC 14		COMPRESSORS AND CRANKCASE HEATERS
75012845	SEC 15		COMPRESSOR MANIFOLD PIPING AND CONTROLS
75012846	SEC 15		TXVS AND INTERCONNECTING TUBING
75012847	SEC 23		COMPRESSOR POWER HARNESSSES AND CONTACTORS CC1, CC2
75012848	SEC 24		CONTROL PANEL

MODEL NUMBER DESCRIPTION		75010426	REV C
FOUNDATION			
Digit 1 Unit Type G= Gas Heat E= Cooling	Digit 2 Efficiency A= Standard	Digit 3 Airflow C= Convertible D= Downflow	Digit 4,5,6 Unit Tonnage 036= 3 Ton 120= 10 Ton 048= 4 Ton 150= 12.5 Ton 060= 5 Ton 180= 15 Ton 072= 6 Ton 210= 17.5 Ton 090= 7.5 Ton 240= 20 Ton 102= 8.5 Ton 300= 25 Ton 270= 22 Ton
Digit 7 Major Design Sequence A= R-410a	Digit 8 Voltage Selection 3= 208-230/60/3 4= 460/60/3 W= 575/60/3 K= 380/60/3 D= 380/50/3	Digit 9 Unit Controls E= Electro-mechanical	Digit 10 Heating Capacity 0= No Heat B= 6 kW electric heat C= 9 kW electric heat E= 12 kW electric heat G= 18 kW electric heat J= 23 kW electric heat K= 27 kW electric heat N= 36 kW electric heat P= 54 kW electric heat R= 72 kW electric heat H= Gas Heat - High L= Gas Heat - Low M= Gas Heat - Medium X= Gas Heat - SS Ht Ex - Low Y= Gas Heat - SS Ht Ex- Med Z= Gas Heat - SS Ht Ex - High
Digit 11 Minor Design Sequence A= Minor Des. Seq.	Digit 12,13 Service Sequence 00= None	Digit 14 Fresh Air Selection 0= No Fresh Air A= Manual damper B= Motorized OA 0-50% C= Economizer Dry Bulb w/o barometric relief D= Econ Dry Bulb w/ barometric relief E= Econ Reference Enthaply without barometric relief F= Econ Reference Enthaply with barometric relief G= Econ Comparative Enthaply without barometric relief H= Econ Comparative Enthaply with barometric relief J= Low Leak Econ Dry Bulb without barometric relief L= Low Leak Econ Reference Enthalpy without barometric relief N= Low Leak Econ Comparative Enthalpy without barometric relief	Digit 15 Supply Fan/Drive Type/Motor 0= Standard Drive 1= Oversized Motor 7= Two Speed Standard 9= Two Speed Oversized
		Digit 16 Hinged Service Access / Filters 0= Standard panels/standard filters	Digit 17 Condenser Coil Protection 0= Standard coil 4= ECoated Coil
		Digit 18 Through The Base Provisions 0= No through the base provisions A= Through the base electric B= Through the base gas C= Through the base electric/gas	Digit 19 Disconnect Switch/Circuit Breaker 0= None 1= Unit Mount Non-Fused Disconnect Switch
		Digit 20-24 0= None	Digit 25 System Monitoring Controls 0= None A= Condensate Drainpan Overflow Switch
		Digit 26 System Monitoring Controls 0= No Monitoring Controls B= Fault Detection Device	Digit 27-40 0= None

END PANEL
NO ECONOMIZER

75012856

REV.
A



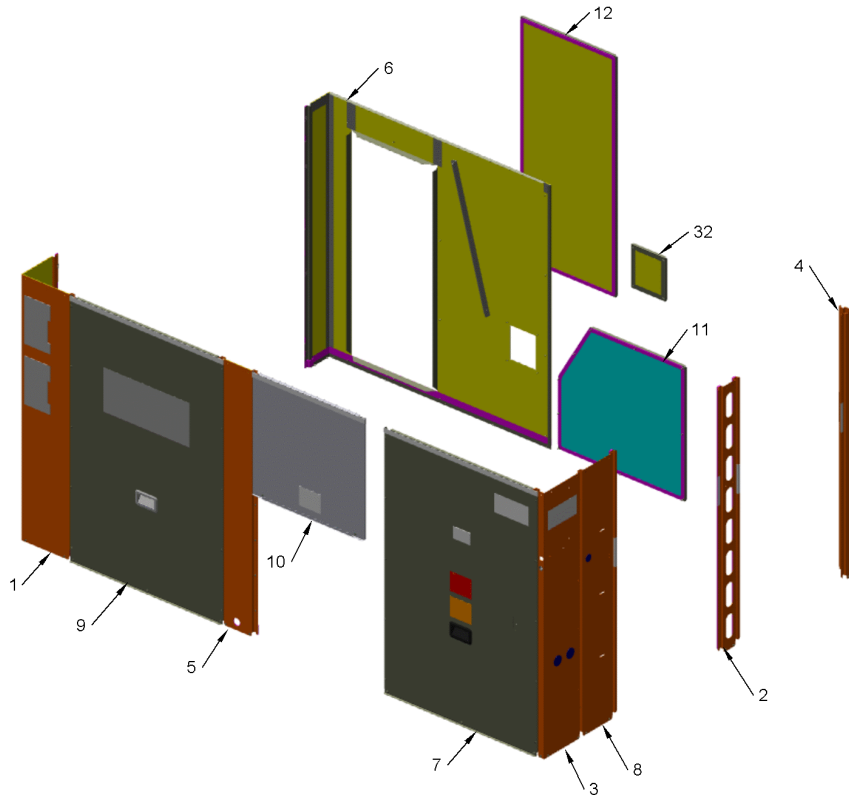
This is a typical illustration. The unit in the field may not appear exactly as shown.

Part No.	Reference No.	Quantity	Description
PNL31953	1	1	PANEL; SUPPORT, ECONOMIZER

EXTERIOR PANELS

75010428

REV
C



This is a typical illustration. The unit in the field may not appear exactly as shown.

Part No.	Reference No.	Quantity	Description
SUP05864	1	1	SUPPORT; POST, I.D. CORNER
SUP05865	2	1	SUPPORT; POST REAR CENTER
SUP05869	3	1	SUPPORT; POST, OD CORNER
SUP05870	4	1	SUPPORT; CORNER, OD, REAR
SUP05871	5	1	SUPPORT; POST CENTER, FRONT ID COIL
PNL35341	6	1	PANEL; LEFT BACK
PNL31700	7	1	PANEL; ACCESS PANEL
PNL31701	8	1	PANEL; OD COIL MOUNTING
PNL31698	9	1	PANEL; FILTER ACCESS, 53 X 36
PNL31702	10	1	PANEL; ID MOTOR ASSESS
PNL31703	11	1	PANEL; HZ SUPPLY COVER
PNL31704	12	1	PANEL; HZ RETURN DUCT COVER
PNL35342	32	1	PANEL; ASSEMBLY COVER; HZ RETURN OPENING

TOP PANEL

75012855

REV.
A



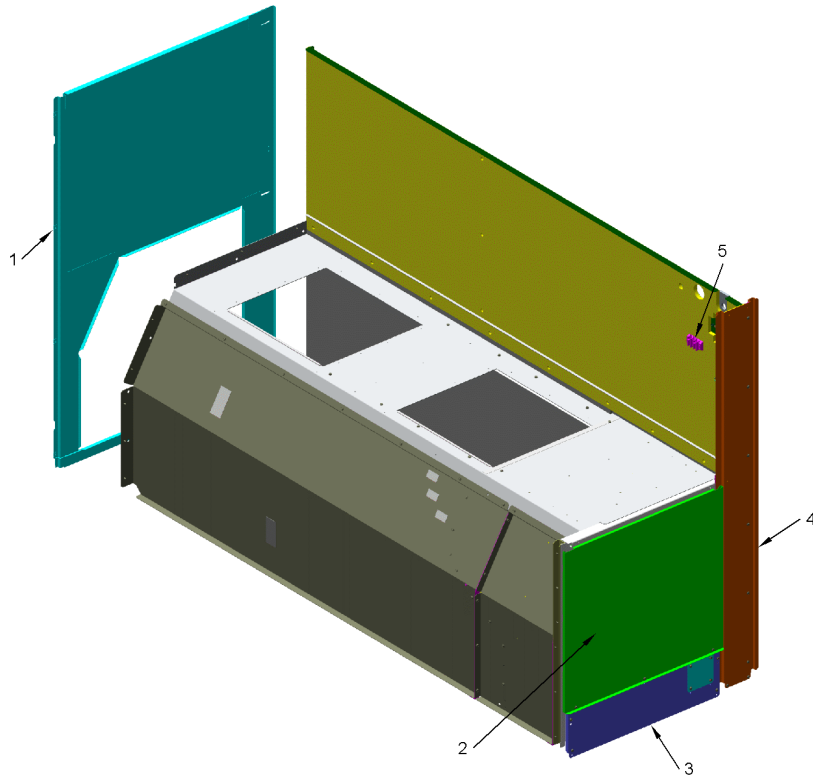
This is a typical illustration. The unit in the field may not appear exactly as shown.

Part No.	Reference No.	Quantity	Description
PNL30271	1	1	PANEL; TOP COVER ASSEMBLY

ELECTRIC HEAT CASING

75012836

REV.
A



This is a typical illustration. The unit in the field may not appear exactly as shown.

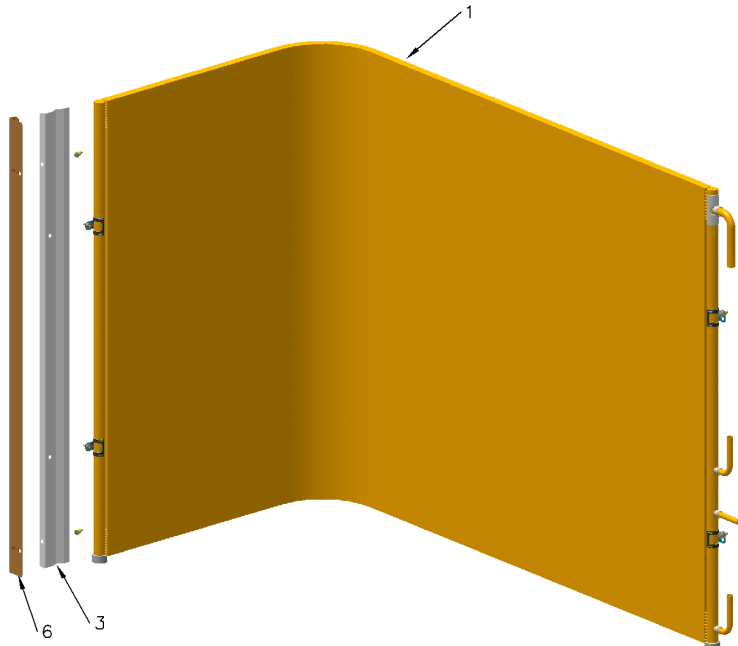
Part No.	Reference No.	Quantity	Description
PNL34628	1	1	PANEL; ASSEMBLY; SUPPLY PANEL
PNL30269	2	1	PANEL; HEAT ACCESS, EH
SUP05866	4	1	SUPPORT; ID FRONT, EH
TER01631	5	1	TERMINAL STRIP, 3P, 30A 600V

OUTDOOR COIL

75010429

REV
A

TYPICAL ILLUSTRATION



OUTDOOR COILS

Parts List Number :GACUP1

Model Number :EBC240A3ENA0000

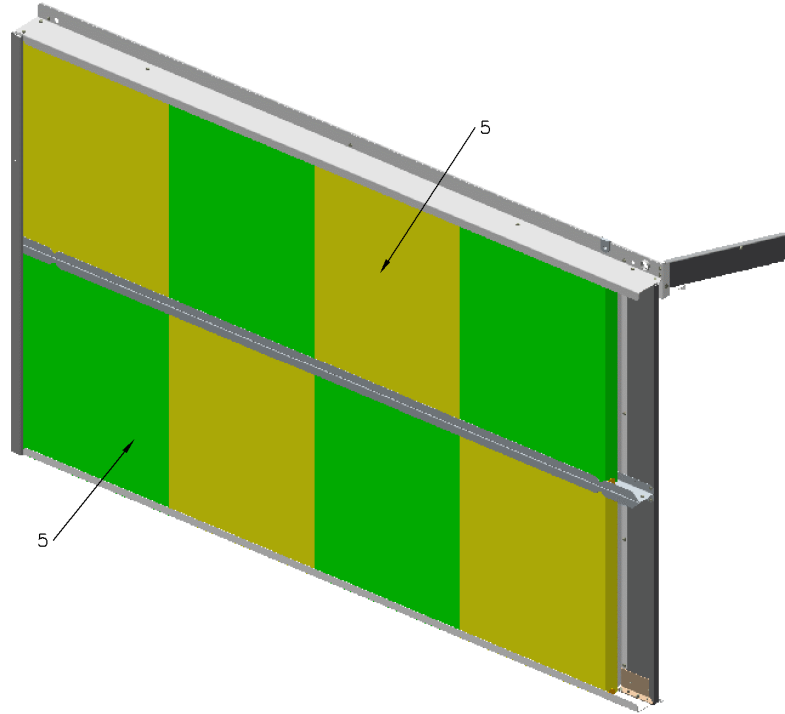
Part No.	Reference No.	Quantity	Description
BRK04431	3	1	BRACKET, COIL RETAINER REAR
BRK03496	6	1	BRACKET; COIL REAR

INDOOR COIL FILTERS

75010431

REV
A

TYPICAL ILLUSTRATION



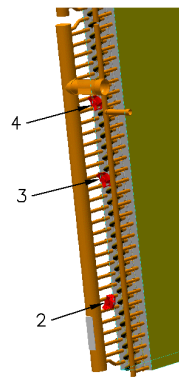
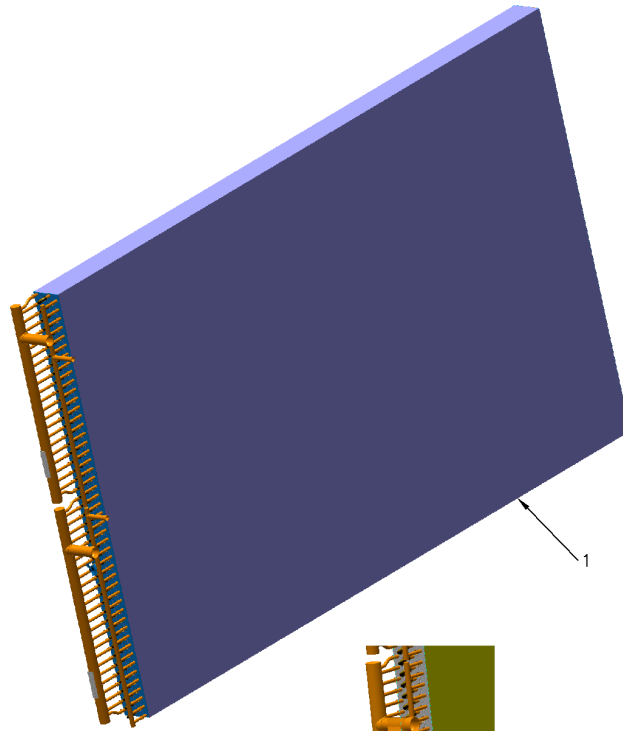
Part No.	Reference No.	Quantity	Description
FLR00063	5	8	FILTER; 20X25X2

INDOOR COIL

75010432

REV
A

TYPICAL ILLUSTRATION



Frostat
Location

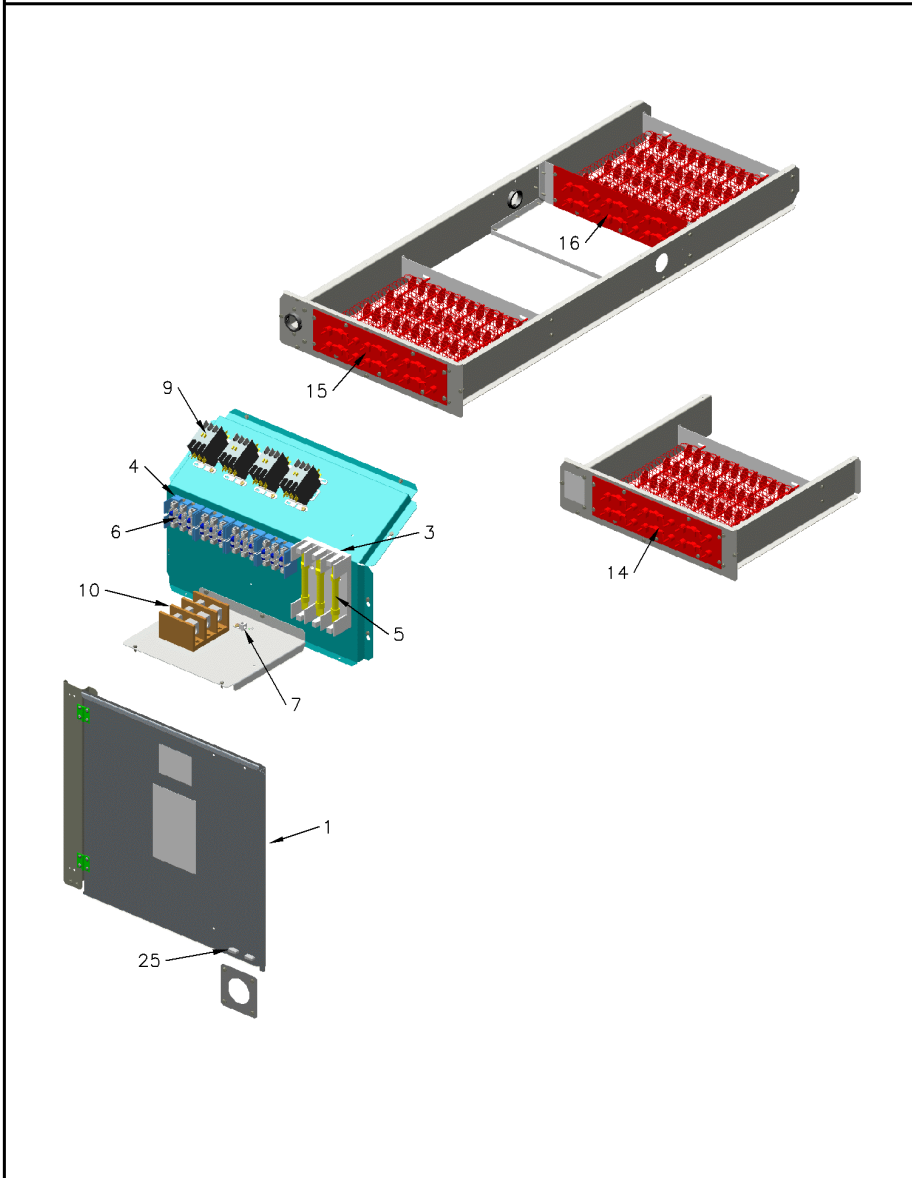
Part No.	Reference No.	Quantity	Description
PAN03448	*	1	PAN; DRAINPAN
COL28233	1	1	COIL; ASSEMBLY, ID, 15, 17.5 & 20 T

ELECTRIC HEAT ASSEMBLY

75010437

REV
A

TYPICAL ILLUSTRATION



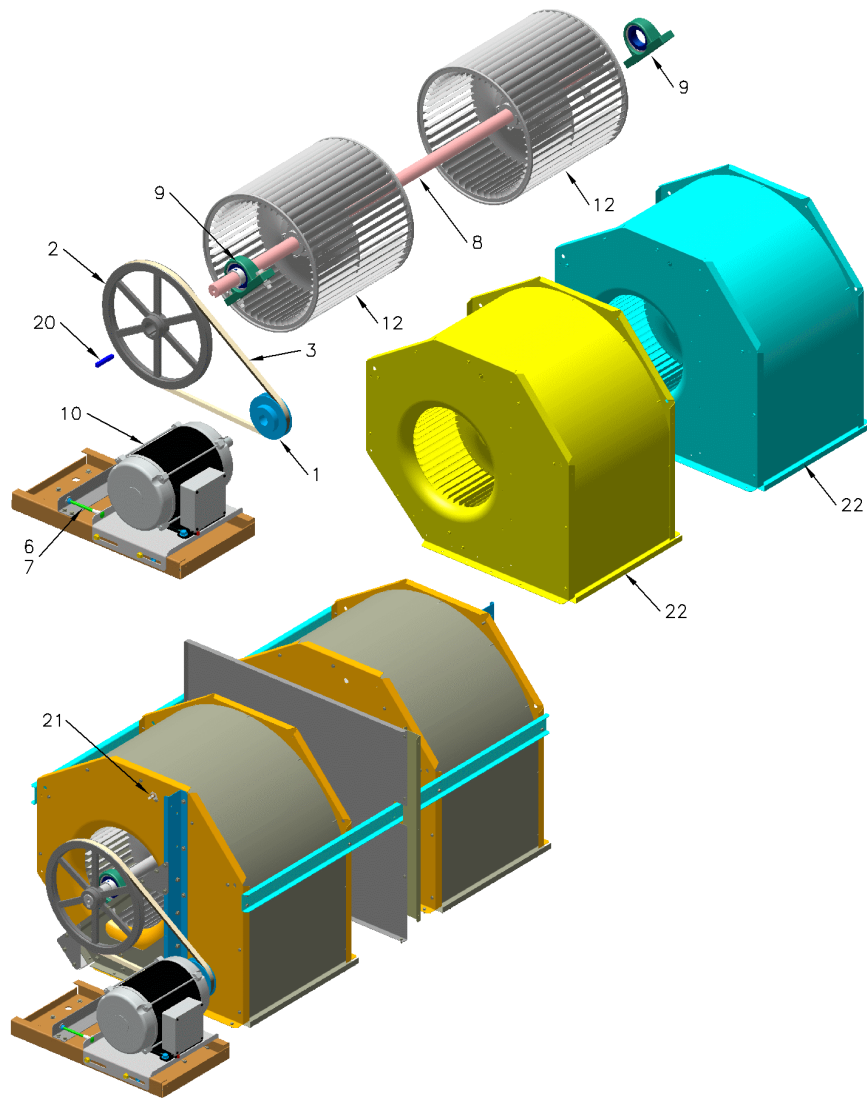
Part No.	Reference No.	Quantity	Description
PNL30270	1	1	PANEL; ELECTRIC HEAT ACCESS DOOR (PANEL ONLY)
BLK00389	3	1	BLOCK;FUSE, 101-200A, 250/300V
BLK01139	4	2	BLOCK; FUSE, 3 POLE, 60 AMP, 300V, CLASS T
FUS00905	5	3	FUSE; 150A, 300V, CLASS T
FUS02301	6	6	FUSE; FAST ACTING, 300VAC, LLN-60, 60 AMP
CON00077	7	1	CONNECTOR, ELECTRIC GROUND, 14-2 AWG SOLDERLESS
CTR00818	9	1	CONTACTOR; 3 POLE, 40 AMP, 24V
TER00160	10	1	TERMINAL; BLOCK, 3 POLE, 175A, 600V, PRESSURE LUGS
HTR14420	15	1	ELEMENT; ELECTRIC HEATER, 18KW, 240V
HTR14420	16	1	ELEMENT; ELECTRIC HEATER, 18KW, 240V
CAT00043	25	2	CATCH; MAGNETIC SNAP-IN

INDOOR FAN ASSEMBLY

75010438

REV
B

TYPICAL ILLUSTRATION



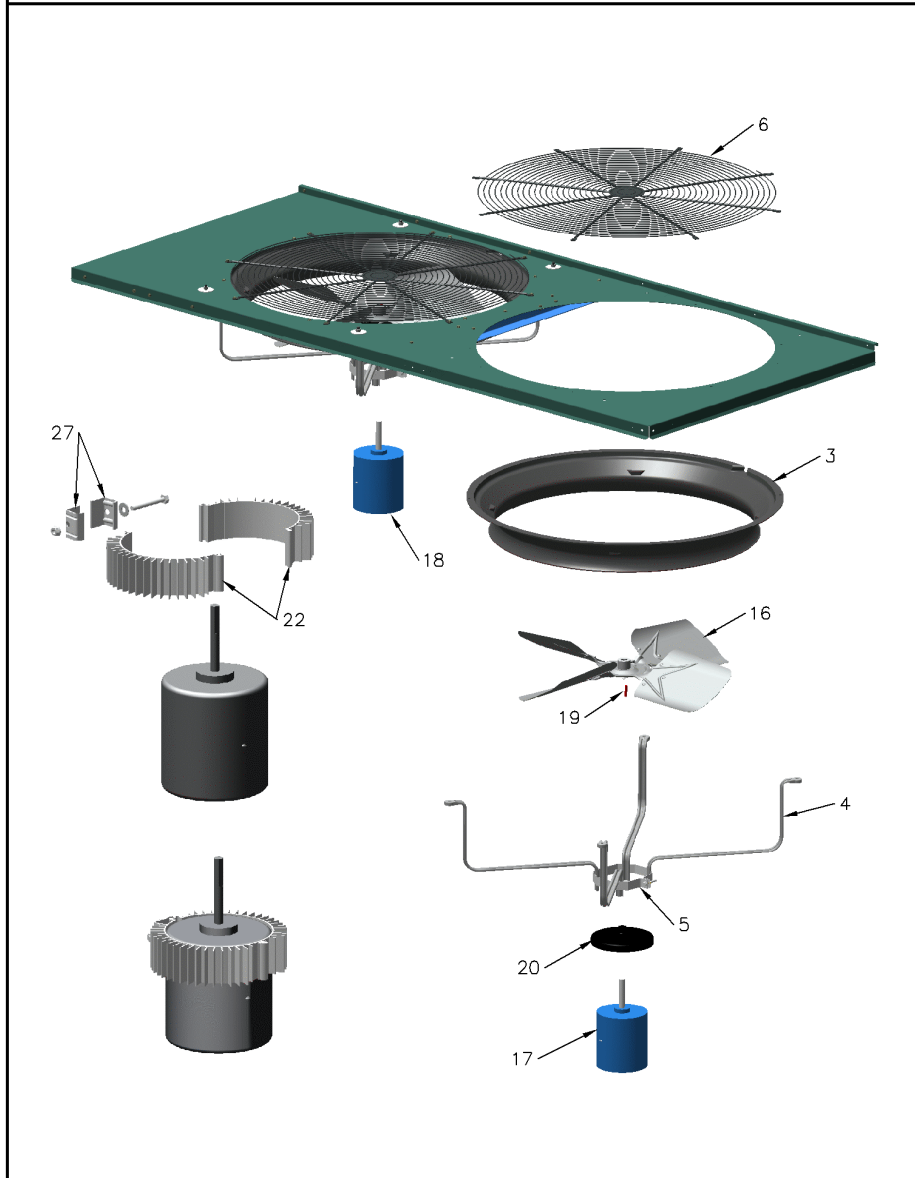
Part No.	Reference No.	Quantity	Description
SHE05939	1	1	SHEAVE; 1VP40, .875 BORE
SHE05423	2	1	SHEAVE; BK140, 1 7/16IN. BORE
B00169	3	1	BELT;V (BX), BX55, 58.0 OUTSIDE LG. X 56.8 PITCH LG.
BLT00989	6	1	BOLT; MOTOR ADJUST, .31-18 X 5.0
NUT00890	7	1	NUT; PALLET, 5/16-18 UNC 2B THD.
SHF03551	8	1	SHAFT; IDF, 1.4375 INCHES DIA., 59.35 INCHES
BRG01940	9	2	BEARING;PILLOW BLOCK, BALL,1.43 BORE
MOT03765	10	1	MOTOR; 5 HP AT 208-230/460/60/3, 3 HP AT 200/380-415/50/3, 56 HZ FRAME, 2 POLE, 3450 RPM (BOTH HP), BALL BEARING, ODP, THERMALLY PROTECTED
FAN05094	12	2	FAN; ID WHEEL, 15X15, 1.4375" BORE
KEY00105	20	1	KEY; 3/8IN.X 3/8IN.X2-1/2IN.
HUS04190	22	2	HOUSING; BLOWER HOUSING ASSEMBLY, WITH FAN WHEEL

OUTDOOR FAN ASSEMBLY

75010439

REV
A

TYPICAL ILLUSTRATION

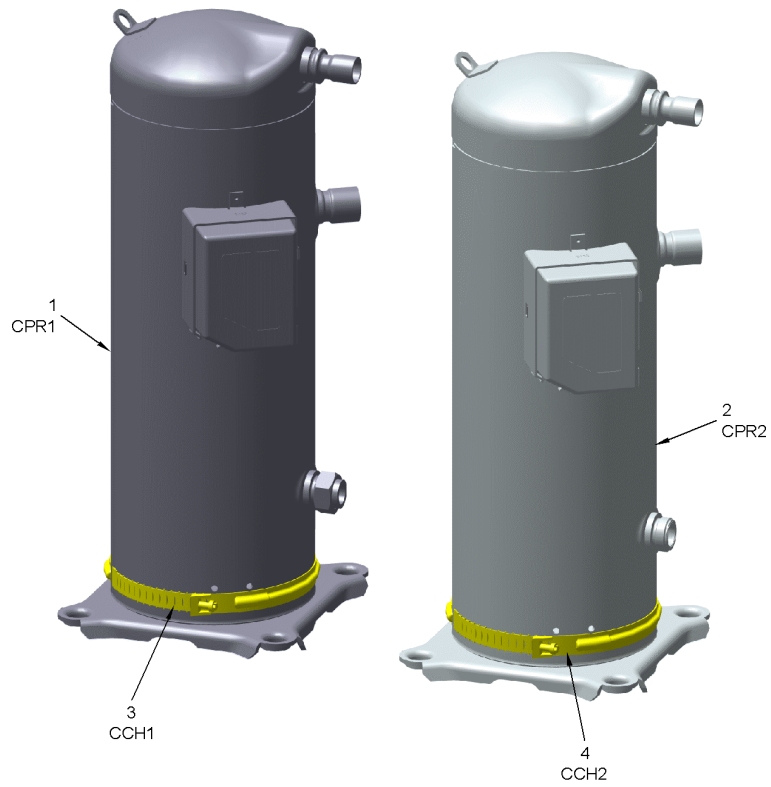


Part No.	Reference No.	Quantity	Description
ORF00540	3	2	ORIFICE; FAN, 28 IN. INSIDE DIAMETER, 34.50 IN. OUTSIDE DIAMETER
BRK01646	4	8	BRACKET; MOTOR MOUNT 16.88 LEG
BRK01160	5	2	BRACKET, MOTOR MOUNT
GRL00426	6	2	GRILLE; FAN, 33 INCH DIA, 35.50 MTG DIA
FAN02215	16	2	FAN; 4 BLADE, ALUMINUM, 28 IN DIA, 29 DEG PITCH, CW, 5/8 IN BORE
MOT18737	17	1	MOTOR; 1 HP, 3 PH, 230 V
MOT18737	18	1	MOTOR; 1 HP, 3 PH, 230 V

COMPRESSORS
AND CRANKCASE HEATERS

75012841

REV.
A



This is a typical illustration. The unit in the field may not appear exactly as shown.

Parts List Number :GACUP1

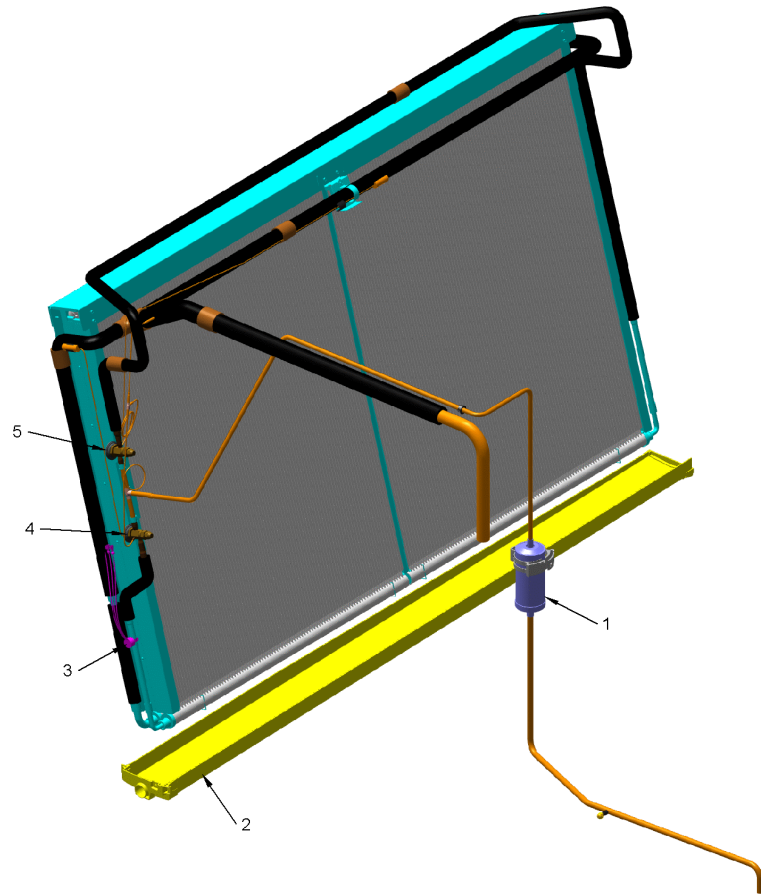
Model Number :EBC240A3ENA0000

Part No.	Reference No.	Quantity	Description
COM12981	1	1	COMPRESSOR; SCROLL-TANDEM READY; 10 TON; 122,000 BTUH; 230-60-3; R-410A
COM12977	2	1	COMPRESSOR; SCROLL-TANDEM READY; 9 TON; 104,000 BTUH; 230-60-3; R-410A
HTR15357	3	1	HEATER; CRANKCASE, 70W 230V 6.63 DIA
HTR15357	4	1	HEATER; CRANKCASE, 70W 230V 6.63 DIA

TXVSs AND INTERCONNECTING TUBING

75012846

REV.
A



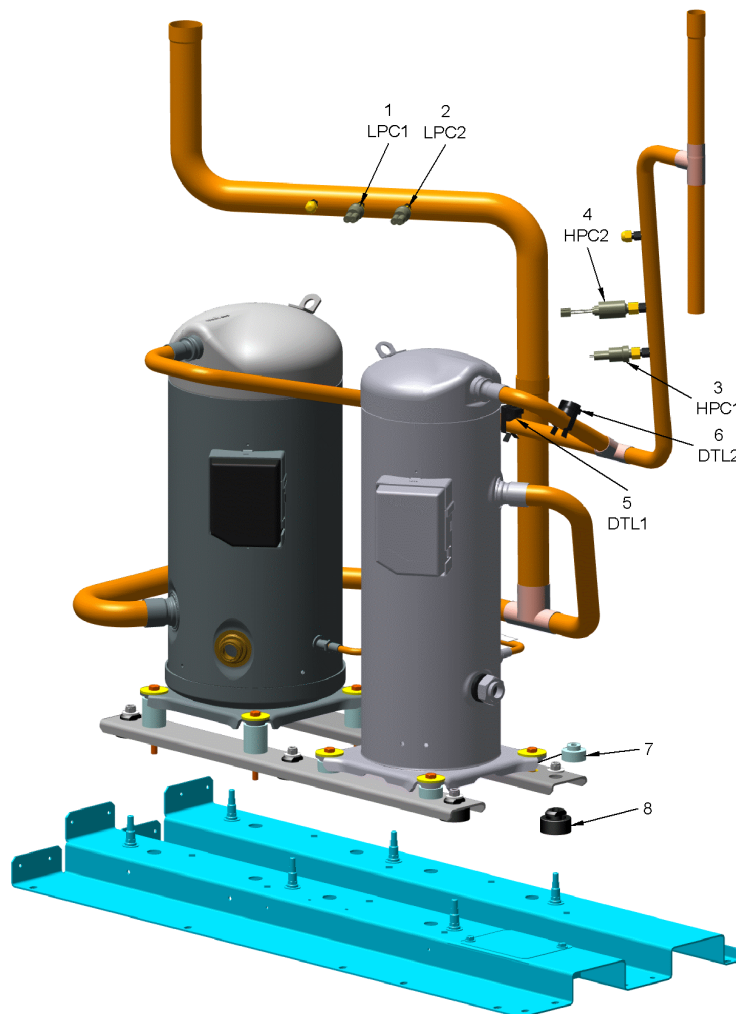
This is a typical illustration. The unit in the field may not appear exactly as shown.

Part No.	Reference No.	Quantity	Description
DHY01501	1	1	DRIER; FILTER/LIQUID LINE,0.63 INLET 0.50 OUTLET
PAN03448	2	1	PAN; DRAINPAN
THT03252	3	1	THERMOSTAT; FROSTAT, TYPE - BI-METALIC DISC
VAL18990	4	1	VALVE, THERMAL EXPANSION, 8 T CIR 2
VAL18989	5	1	VALVE, THERMAL EXPANSION, 8 T CIR 1

COMPRESSOR MANIFOLD PIPING
AND CONTROLS, 20, 25 TON

75012845

REV.
A



This is a typical illustration. The unit in the field may not appear exactly as shown.

Parts List Number :GACUP1

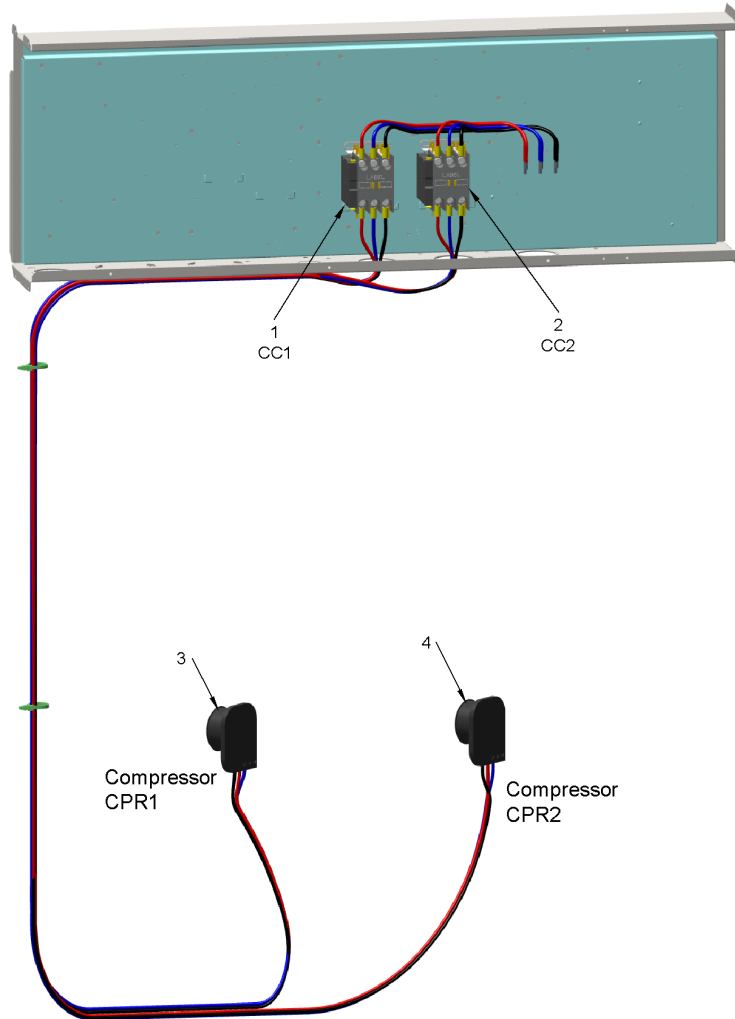
Model Number :EBC240A3ENA0000

Part No.	Reference No.	Quantity	Description
SWT03921	1	1	SWITCH; CONTROL; LOW PRESSURE; PRESS-LO - 35OP/55 CL, YELLOW LEADS
SWT03921	2	1	SWITCH; CONTROL; LOW PRESSURE; PRESS-LO - 35OP/55 CL, YELLOW LEADS
CNT04960	3	1	CONTROL; HIGH PRESSURE, 650 OPEN, 550 CLOSE, .25 FFL W/DEFLATOR, 72.00 RED LEADS WITH 1/4 FEMALE AND MALE QC-BLACK.
SWT03017	4	1	SWITCH; HIGH PRESSURE, SPST, OPEN AT 650 PSIG, CLOSE AT 550 PSIG, 6.0 FLA, 36 LRA AT 120/240 VAC, 60 INCH ORANGE WIRE LEADS
THT02762	5	1	THERMOSTAT; WITH CLIP, .875 TUBE, 72" BLACK WIRES, SPST, 230F OPEN, 180F CLOSE
THT02763	6	1	THERMOSTAT; WITH CLIP, 0.875 TUBE, 72" RED WIRES, SPST, 230F OPEN, 180F CLOSE
GRM00888	8	6	GROMMET; ISOLATOR, COMPRESSOR, .438 ID X .160 GRV, .750 DIA X 1.625 OD, BLACK NEOPRENE RUBBER

COMPRESSOR POWER HARNESSES
AND CONTACTORS CC1, CC2

75012847

REV.
A

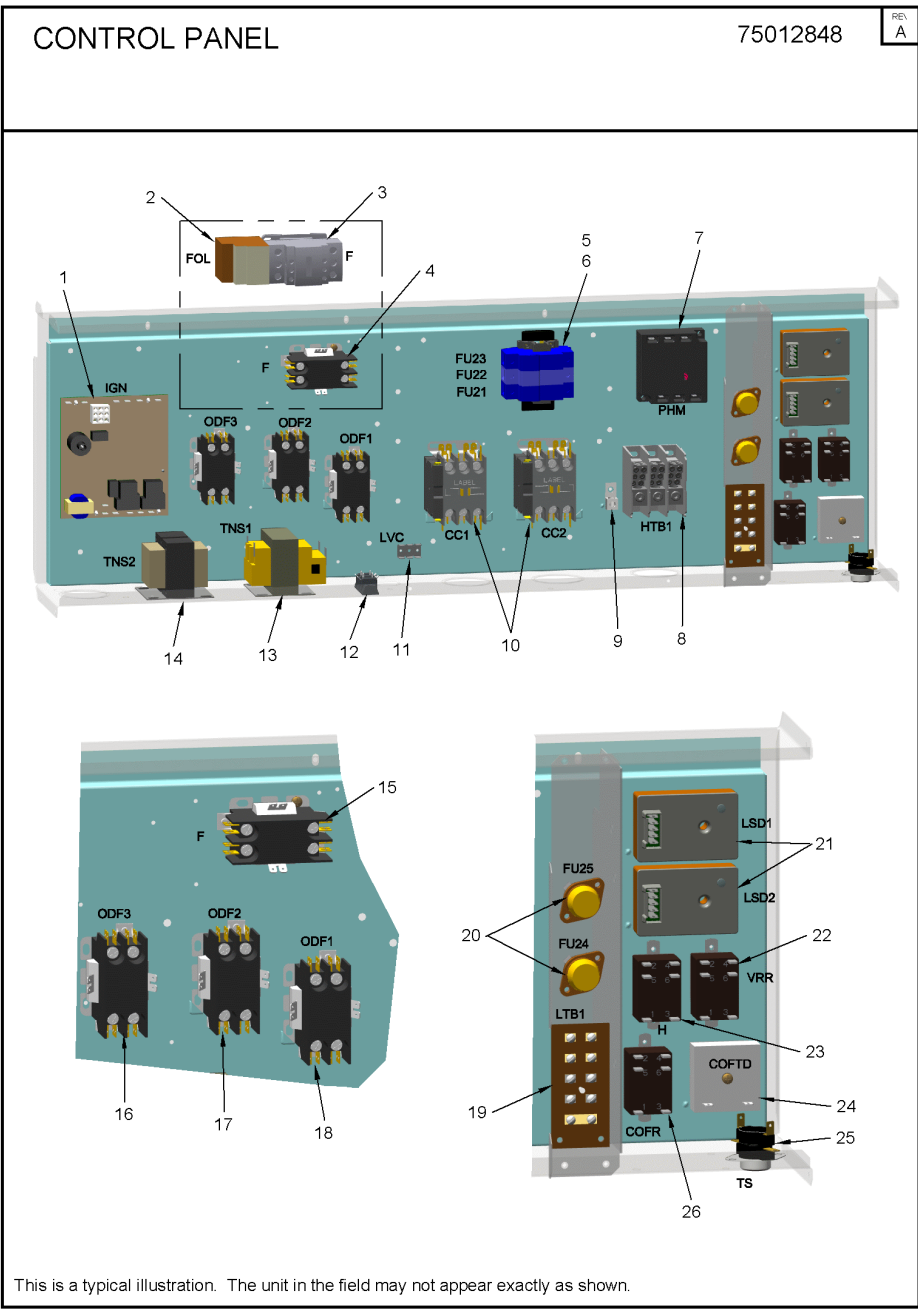


This is a typical illustration. The unit in the field may not appear exactly as shown.

Parts List Number :GACUP1

Model Number :EBC240A3ENA0000

Part No.	Reference No.	Quantity	Description
CTR03073	1	1	CONTACTOR; 3 POLE, NO 63FLA AT 600V, W/NC SPST
CTR03073	2	1	CONTACTOR; 3 POLE, NO 63FLA AT 600V, W/NC SPST
WIR09311	3	1	WIRE; HARNESS POWER, COMPRESSOR - CC1 - COMPRESSOR 1, 17.5T-20T, 208/230V
WIR09315	4	1	WIRE; HARNESS POWER, COMPRESSOR - CC2 - COMPRESSOR 2, 20T-25 T, 230 V

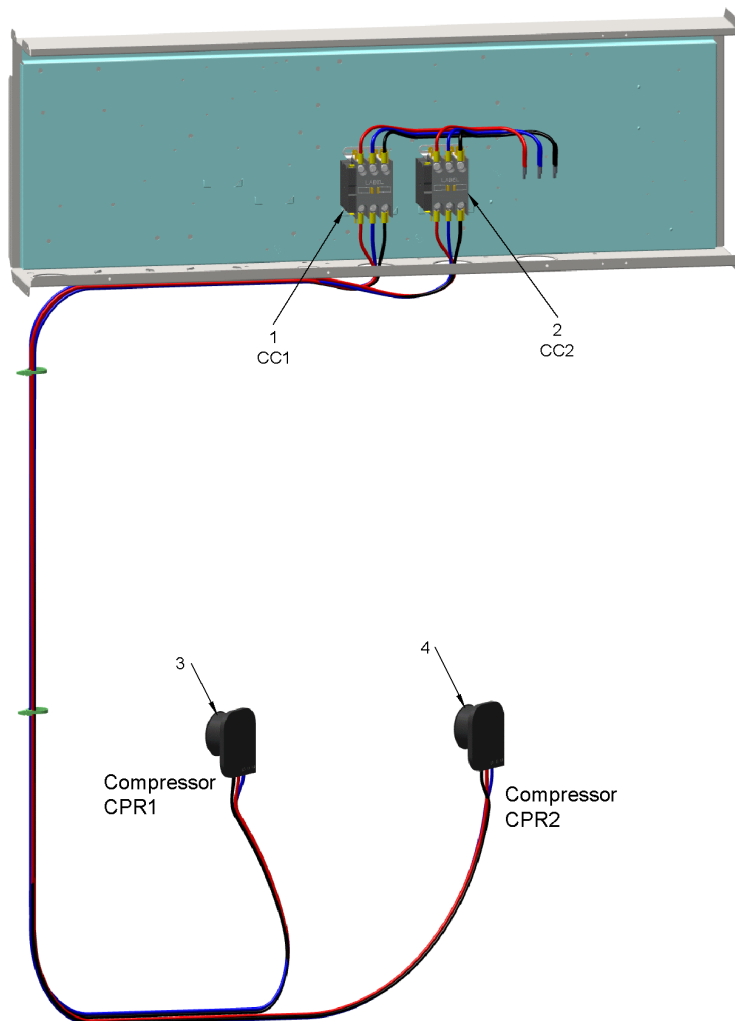


Part No.	Reference No.	Quantity	Description
CTR01203	4	1	CONTACTOR; 2P, 30A, 24V COIL, 30 FLA AT 277V
FUS01746	5	1	HOLDER; FUSE 3P, 30A, 600V, CLASS CC ULTRASAFE
FUS01282	6	3	MIN=10/10 FUSE; 20A, 600V, CLASS CC, 0.406 DIAMETER X 1.50 LONG, TIME DELAY
CNT05176	7	1	CONTROL; MONITOR, 3-PHASE LINE, UNIVERSAL 180-632 VAC, PHASE AND LOSS REVERSAL
BLK01469	8	1	BLOCK; TERMINAL, 3 POLE, 175A, 600V
CON00077	9	1	CONNECTOR, ELECTRIC GROUND, 14-2 AWG SOLDERLESS
75012847	10		COMPRESSOR POWER HARNESSSES AND CONTACTORS CC1, CC2
BLK01438	11	1	BLOCK; TERMINAL STRIP, 0.25 IN FASTON
BLK01642	12	1	BLOCK; TERMINAL, DOUBLE ROW - 2 POLE
TRR02934	13	1	TRANSFORMER, 100 VA, 208/230 V
CTR01203	15	1	CONTACTOR; 2P, 30A, 24V COIL, 30 FLA AT 277V
CTR01203	17	1	CONTACTOR; 2P, 30A, 24V COIL, 30 FLA AT 277V
CTR01203	18	1	CONTACTOR; 2P, 30A, 24V COIL, 30 FLA AT 277V
TER01594	19	1	TERMINAL; STRIP, LTB, INCLUDES CO2 & ESTOP CONNECTORS
FUS00038	20	1	FUSEHOLDER; PANEL MTD, 600VAC, 30AMP
FUS00902	20	1	FUSE; 5A, 200/230/60, 600V, CLASS CC
MOD02964	21	2	MODULE, LOCKING SAFETY DEVICE WITH ASC TIMER
RLY02138	23	1	RELAY; CONTROL, 1NO/1NC, 24V, 50/60HZ CONTACTS 125/250/277V

COMPRESSOR POWER HARNESSES
AND CONTACTORS CC1, CC2

75012847

REV.
A



This is a typical illustration. The unit in the field may not appear exactly as shown.

Parts List Number :GACUP1

Model Number :EBC240A3ENA0000

Part No.	Reference No.	Quantity	Description
CTR03073	1	1	CONTACTOR; 3 POLE, NO 63FLA AT 600V, W/NC SPST
CTR03073	2	1	CONTACTOR; 3 POLE, NO 63FLA AT 600V, W/NC SPST
WIR09311	3	1	WIRE; HARNESS POWER, COMPRESSOR - CC1 - COMPRESSOR 1, 17.5T-20T, 208/230V
WIR09315	4	1	WIRE; HARNESS POWER, COMPRESSOR - CC2 - COMPRESSOR 2, 20T-25 T, 230 V