

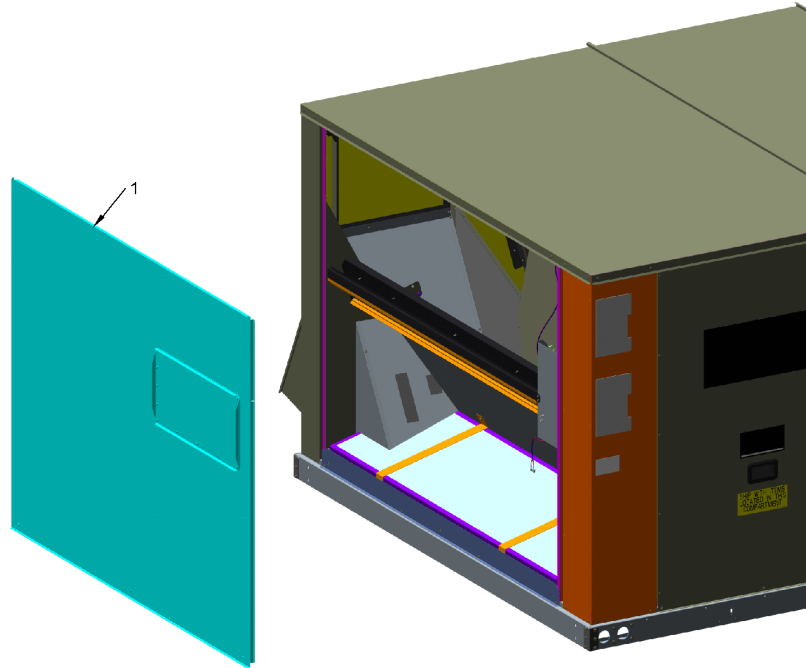
| Part No. | Reference No. | Quantity | Description |
|-----------------|----------------------|-----------------|---|
| 75010426 | SEC 01 | | MODEL NUMBER DESCRIPTION |
| 75012836 | SEC 02 | | ELECTRIC HEAT CASING |
| 75012856 | SEC 02 | | END PANEL, NO ECONOMIZER |
| 75010428 | SEC 02 | | EXTERIOR PANELS |
| 75012855 | SEC 02 | | TOP PANEL |
| 75010429 | SEC 03 | | OUTDOOR COILS |
| 75010431 | SEC 05 | | INDOOR COIL FILTERS |
| 75010432 | SEC 06 | | INDOOR COIL |
| 75010438 | SEC 12 | | INDOOR FAN ASSEMBLY |
| 75010439 | SEC 13 | | OUTDOOR FAN ASSEMBLY |
| 75012841 | SEC 14 | | COMPRESSORS AND CRANKCASE HEATERS |
| 75012845 | SEC 15 | | COMPRESSOR MANIFOLD PIPING AND CONTROLS |
| 75012846 | SEC 15 | | TXVS AND INTERCONNECTING TUBING |
| 75012847 | SEC 23 | | COMPRESSOR POWER HARNESSSES AND CONTACTORS CC1, CC2 |
| 75012848 | SEC 24 | | CONTROL PANEL |

| MODEL NUMBER DESCRIPTION | | 75010426 | REV C |
|--|--|--|--|
| FOUNDATION | | | |
| Digit 1 Unit Type G= Gas Heat E= Cooling | Digit 2 Efficiency A= Standard | Digit 3 Airflow C= Convertible D= Downflow | Digit 4,5,6 Unit Tonnage 036= 3 Ton 120= 10 Ton 048= 4 Ton 150= 12.5 Ton 060= 5 Ton 180= 15 Ton 072= 6 Ton 210= 17.5 Ton 090= 7.5 Ton 240= 20 Ton 102= 8.5 Ton 300= 25 Ton 270= 22 Ton |
| Digit 7 Major Design Sequence A= R-410a | Digit 8 Voltage Selection 3= 208-230/60/3 4= 460/60/3 W= 575/60/3 K= 380/60/3 D= 380/50/3 | Digit 9 Unit Controls E= Electro-mechanical | Digit 10 Heating Capacity 0= No Heat B= 6 kW electric heat C= 9 kW electric heat E= 12 kW electric heat G= 18 kW electric heat J= 23 kW electric heat K= 27 kW electric heat N= 36 kW electric heat P= 54 kW electric heat R= 72 kW electric heat H= Gas Heat - High L= Gas Heat - Low M= Gas Heat - Medium X= Gas Heat - SS Ht Ex - Low Y= Gas Heat - SS Ht Ex- Med Z= Gas Heat - SS Ht Ex - High |
| Digit 11 Minor Design Sequence A= Minor Des. Seq. | Digit 12,13 Service Sequence 00= None | Digit 14 Fresh Air Selection 0= No Fresh Air A= Manual damper B= Motorized OA 0-50% C= Economizer Dry Bulb w/o barometric relief D= Econ Dry Bulb w/ barometric relief E= Econ Reference Enthaply without barometric relief F= Econ Reference Enthaply with barometric relief G= Econ Comparative Enthaply without barometric relief H= Econ Comparative Enthaply with barometric relief J= Low Leak Econ Dry Bulb without barometric relief L= Low Leak Econ Reference Enthaply without barometric relief N= Low Leak Econ Comparative Enthaply without barometric relief | Digit 15 Supply Fan/Drive Type/Motor 0= Standard Drive 1= Oversized Motor 7= Two Speed Standard 9= Two Speed Oversized |
| | | Digit 16 Hinged Service Access / Filters 0= Standard panels/standard filters | Digit 17 Condenser Coil Protection 0= Standard coil 4= ECoated Coil |
| | | Digit 18 Through The Base Provisions 0= No through the base provisions A= Through the base electric B= Through the base gas C= Through the base electric/gas | Digit 19 Disconnect Switch/Circuit Breaker 0= None 1= Unit Mount Non-Fused Disconnect Switch |
| | | Digit 20-24 0= None | Digit 25 System Monitoring Controls 0= None A= Condensate Drainpan Overflow Switch |
| | | Digit 26 System Monitoring Controls 0= No Monitoring Controls B= Fault Detection Device | Digit 27-40 0= None |

END PANEL
NO ECONOMIZER

75012856

REV.
A



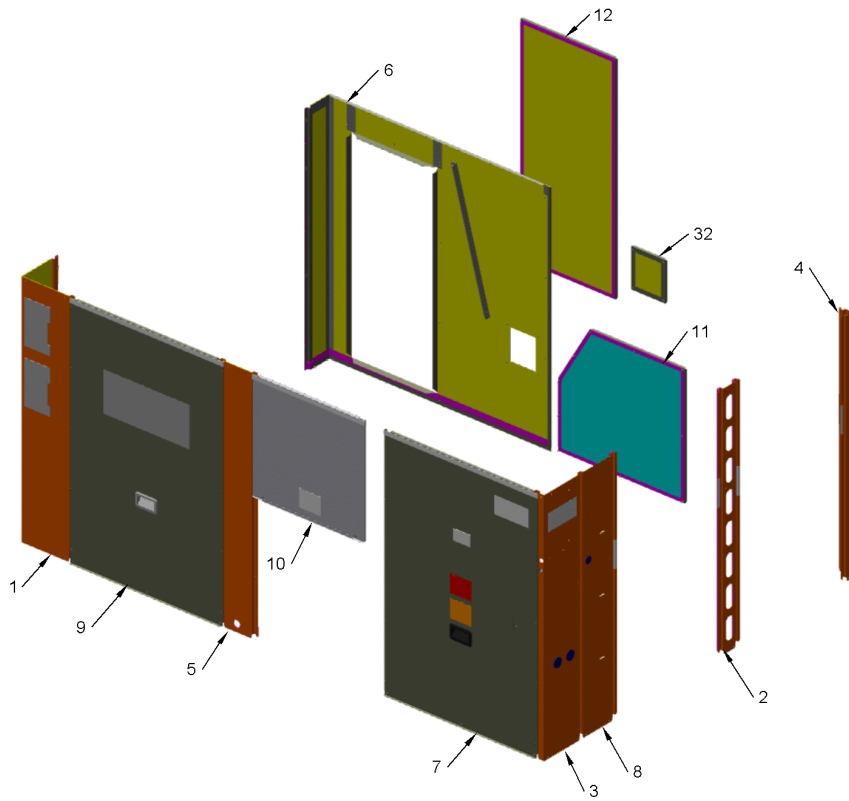
This is a typical illustration. The unit in the field may not appear exactly as shown.

| Part No. | Reference No. | Quantity | Description |
|-----------------|----------------------|-----------------|----------------------------|
| PNL31953 | 1 | 1 | PANEL; SUPPORT, ECONOMIZER |

EXTERIOR PANELS

75010428

REV
C



This is a typical illustration. The unit in the field may not appear exactly as shown.

| Part No. | Reference No. | Quantity | Description |
|-----------------|----------------------|-----------------|--|
| SUP05864 | 1 | 1 | SUPPORT; POST, I.D. CORNER |
| SUP05865 | 2 | 1 | SUPPORT; POST REAR CENTER |
| SUP05869 | 3 | 1 | SUPPORT; POST, OD CORNER |
| SUP05870 | 4 | 1 | SUPPORT; CORNER, OD, REAR |
| SUP05871 | 5 | 1 | SUPPORT; POST CENTER, FRONT ID COIL |
| PNL35341 | 6 | 1 | PANEL; LEFT BACK |
| PNL31700 | 7 | 1 | PANEL; ACCESS PANEL |
| PNL31701 | 8 | 1 | PANEL; OD COIL MOUNTING |
| PNL31698 | 9 | 1 | PANEL; FILTER ACCESS, 53 X 36 |
| PNL31702 | 10 | 1 | PANEL; ID MOTOR ASSESS |
| PNL31703 | 11 | 1 | PANEL; HZ SUPPLY COVER |
| PNL31704 | 12 | 1 | PANEL; HZ RETURN DUCT COVER |
| PNL35342 | 32 | 1 | PANEL; ASSEMBLY COVER; HZ RETURN OPENING |

TOP PANEL

75012855

REV.
A



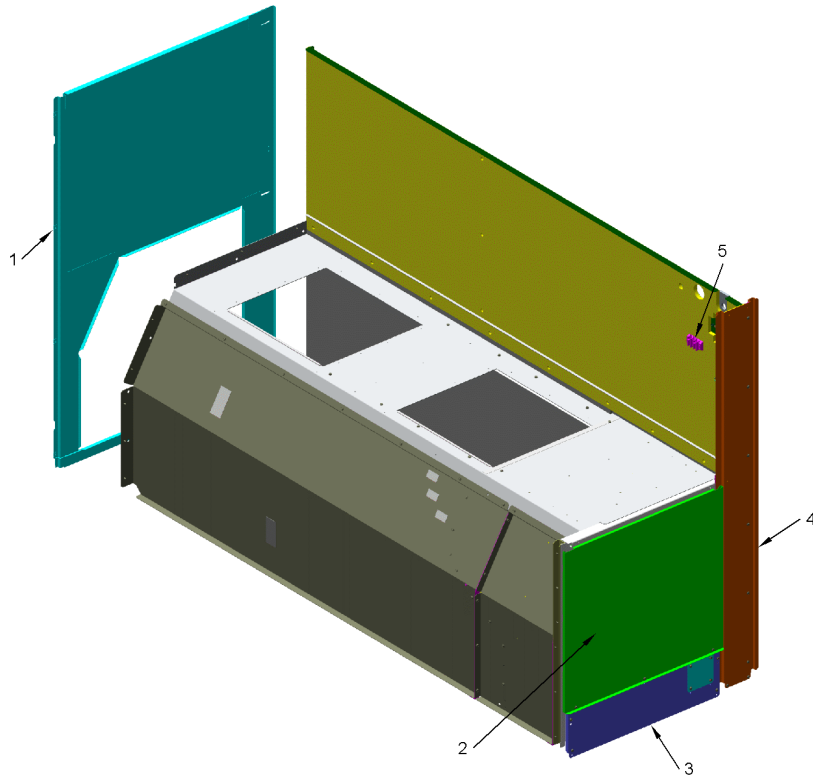
This is a typical illustration. The unit in the field may not appear exactly as shown.

| Part No. | Reference No. | Quantity | Description |
|----------|---------------|----------|---------------------------|
| PNL30271 | 1 | 1 | PANEL; TOP COVER ASSEMBLY |

ELECTRIC HEAT CASING

75012836

REV.
A



This is a typical illustration. The unit in the field may not appear exactly as shown.

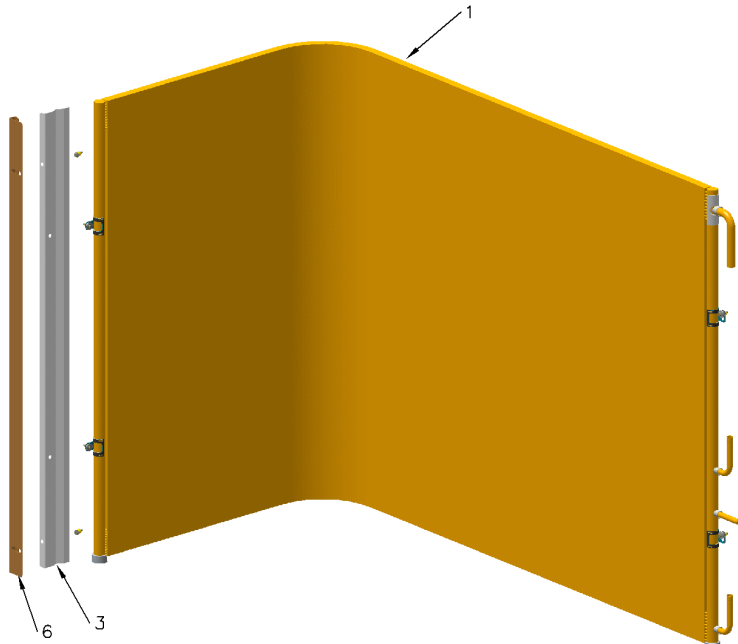
| Part No. | Reference No. | Quantity | Description |
|-----------------|----------------------|-----------------|-------------------------------|
| PNL34628 | 1 | 1 | PANEL; ASSEMBLY; SUPPLY PANEL |
| PNL30269 | 2 | 1 | PANEL; HEAT ACCESS, EH |
| SUP05866 | 4 | 1 | SUPPORT; ID FRONT, EH |
| TER01631 | 5 | 1 | TERMINAL STRIP, 3P, 30A 600V |

OUTDOOR COIL

75010429

REV
A

TYPICAL ILLUSTRATION



OUTDOOR COILS

Parts List Number :GACUP1

Model Number :EBC240A3E0A0000

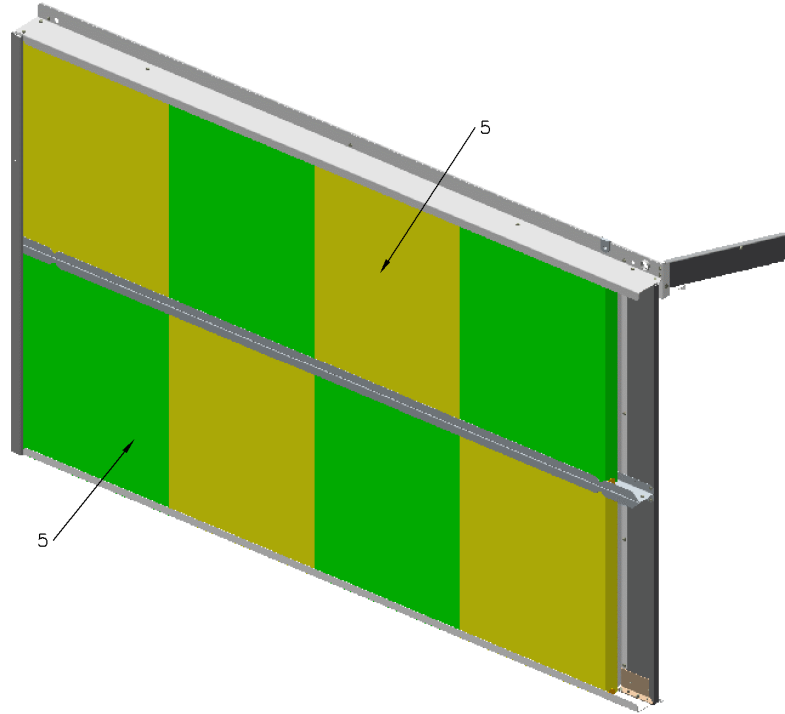
| Part No. | Reference No. | Quantity | Description |
|-----------------|----------------------|-----------------|-----------------------------|
| BRK04431 | 3 | 1 | BRACKET, COIL RETAINER REAR |
| BRK03496 | 6 | 1 | BRACKET; COIL REAR |

INDOOR COIL FILTERS

75010431

REV
A

TYPICAL ILLUSTRATION



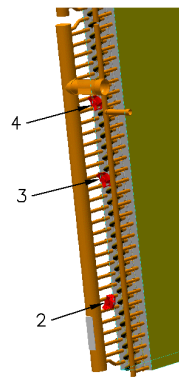
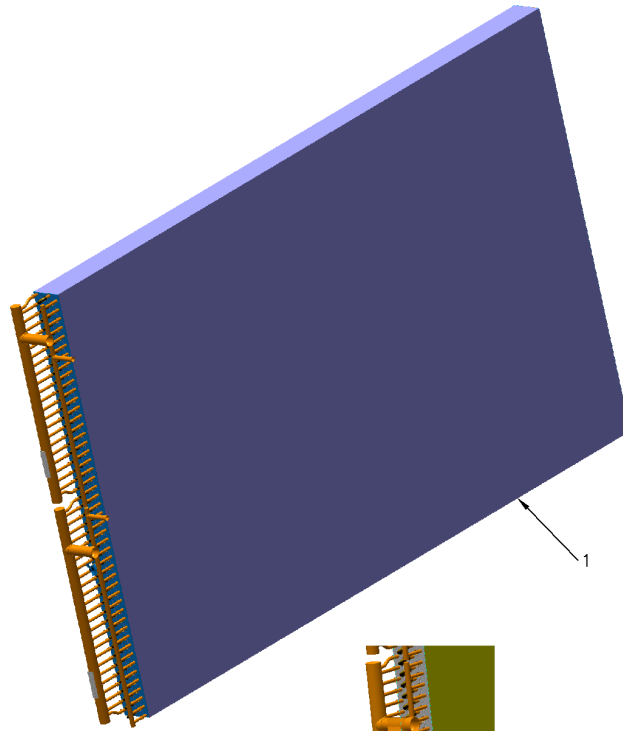
| Part No. | Reference No. | Quantity | Description |
|----------|---------------|----------|-----------------|
| FLR00063 | 5 | 8 | FILTER; 20X25X2 |

INDOOR COIL

75010432

REV
A

TYPICAL ILLUSTRATION



Frostat
Location

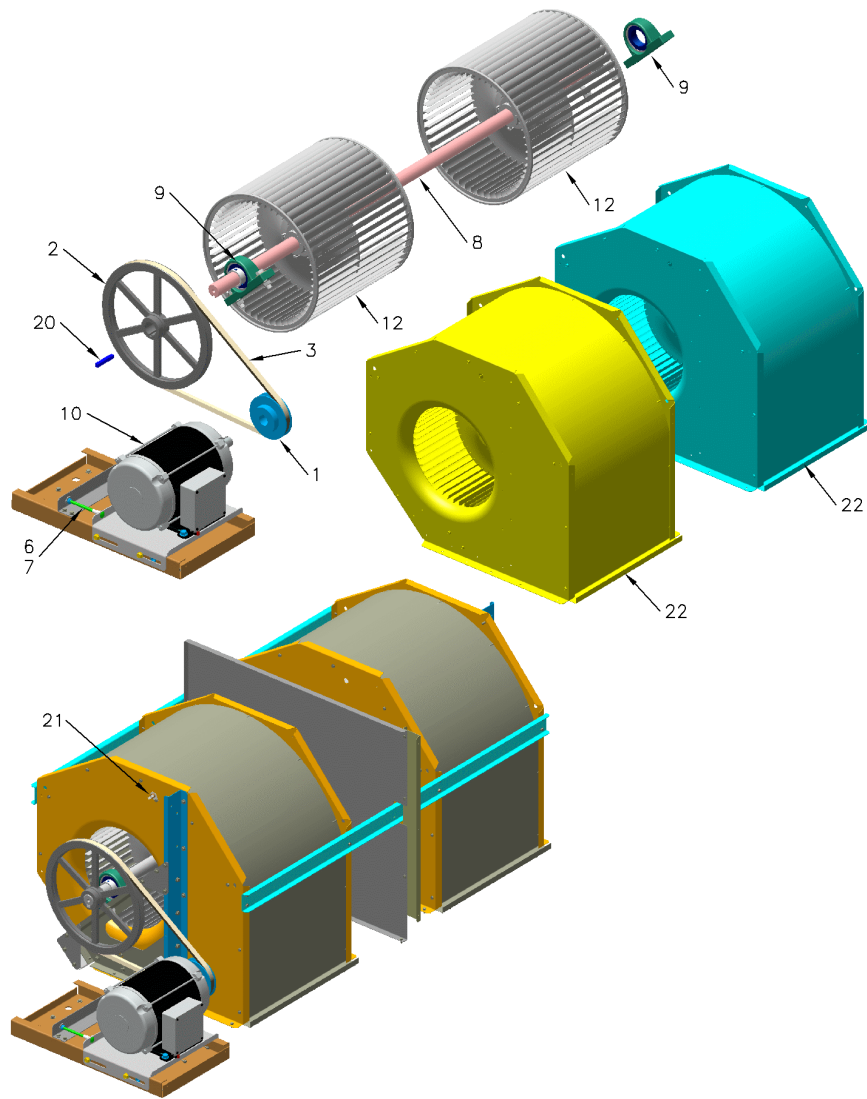
| Part No. | Reference No. | Quantity | Description |
|-----------------|----------------------|-----------------|-------------------------------------|
| PAN03448 | * | 1 | PAN; DRAINPAN |
| COL28233 | 1 | 1 | COIL; ASSEMBLY, ID, 15, 17.5 & 20 T |

INDOOR FAN ASSEMBLY

75010438

REV
B

TYPICAL ILLUSTRATION



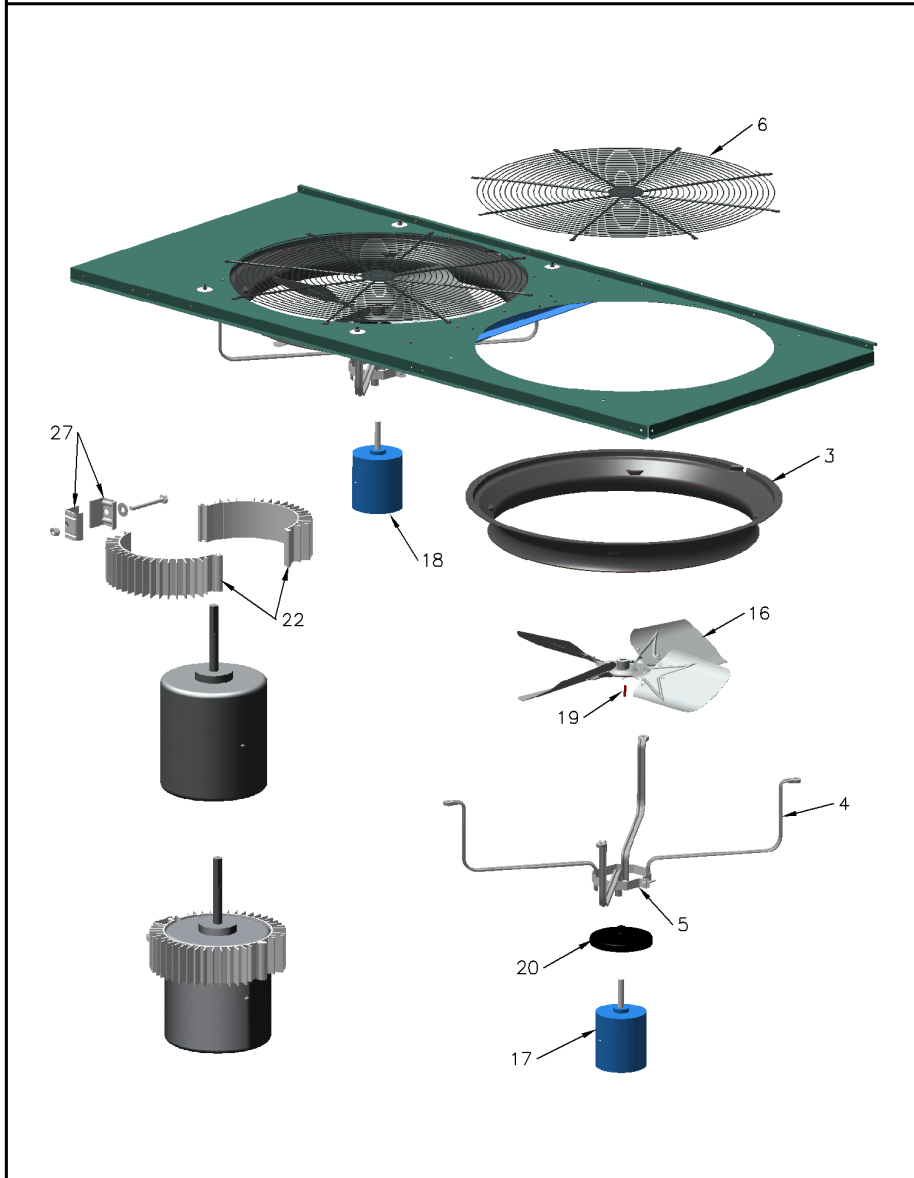
| Part No. | Reference No. | Quantity | Description |
|----------|---------------|----------|--|
| SHE05939 | 1 | 1 | SHEAVE; 1VP40, .875 BORE |
| SHE05423 | 2 | 1 | SHEAVE; BK140, 1 7/16IN. BORE |
| B00169 | 3 | 1 | BELT;V (BX), BX55, 58.0 OUTSIDE LG. X 56.8 PITCH LG. |
| BLT00989 | 6 | 1 | BOLT; MOTOR ADJUST, .31-18 X 5.0 |
| NUT00890 | 7 | 1 | NUT; PALLET, 5/16-18 UNC 2B THD. |
| SHF03551 | 8 | 1 | SHAFT; IDF, 1.4375 INCHES DIA., 59.35 INCHES |
| BRG01940 | 9 | 2 | BEARING;PILLOW BLOCK, BALL,1.43 BORE |
| MOT03765 | 10 | 1 | MOTOR; 5 HP AT 208-230/460/60/3, 3 HP AT 200/380-415/50/3, 56 HZ FRAME, 2 POLE, 3450 RPM (BOTH HP), BALL BEARING, ODP, THERMALLY PROTECTED |
| FAN05094 | 12 | 2 | FAN; ID WHEEL, 15X15, 1.4375" BORE |
| KEY00105 | 20 | 1 | KEY; 3/8IN.X 3/8IN.X2-1/2IN. |
| HUS04190 | 22 | 2 | HOUSING; BLOWER HOUSING ASSEMBLY, WITH FAN WHEEL |

OUTDOOR FAN ASSEMBLY

75010439

REV
A

TYPICAL ILLUSTRATION

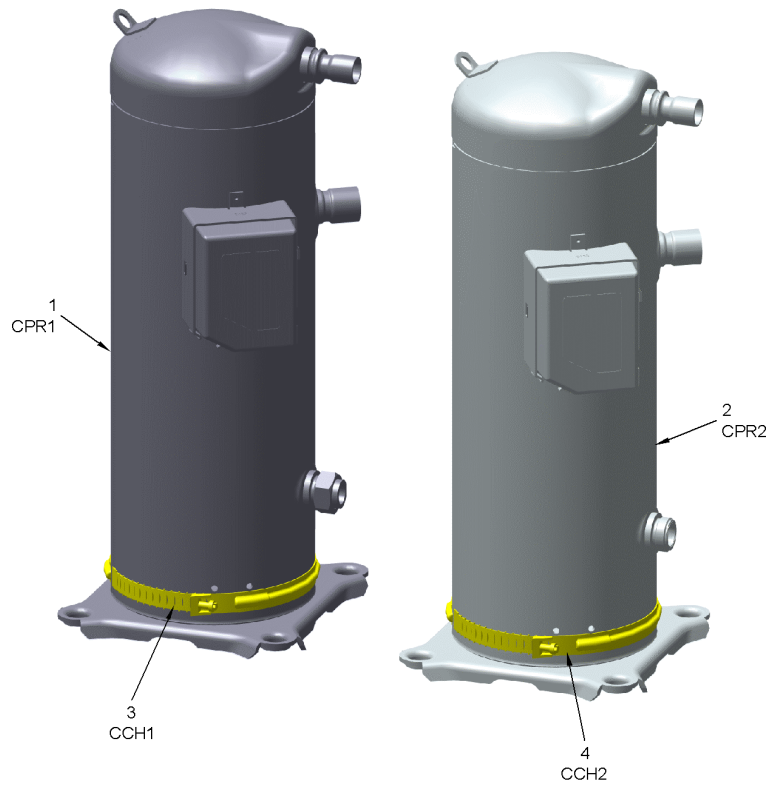


| Part No. | Reference No. | Quantity | Description |
|----------|---------------|----------|--|
| ORF00540 | 3 | 2 | ORIFICE; FAN, 28 IN. INSIDE DIAMETER, 34.50 IN. OUTSIDE DIAMETER |
| BRK01646 | 4 | 8 | BRACKET; MOTOR MOUNT 16.88 LEG |
| BRK01160 | 5 | 2 | BRACKET, MOTOR MOUNT |
| GRL00426 | 6 | 2 | GRILLE; FAN, 33 INCH DIA, 35.50 MTG DIA |
| FAN02215 | 16 | 2 | FAN; 4 BLADE, ALUMINUM, 28 IN DIA, 29 DEG PITCH, CW, 5/8 IN BORE |
| MOT18737 | 17 | 1 | MOTOR; 1 HP, 3 PH, 230 V |
| MOT18737 | 18 | 1 | MOTOR; 1 HP, 3 PH, 230 V |

COMPRESSORS
AND CRANKCASE HEATERS

75012841

REV.
A



This is a typical illustration. The unit in the field may not appear exactly as shown.

Parts List Number :GACUP1

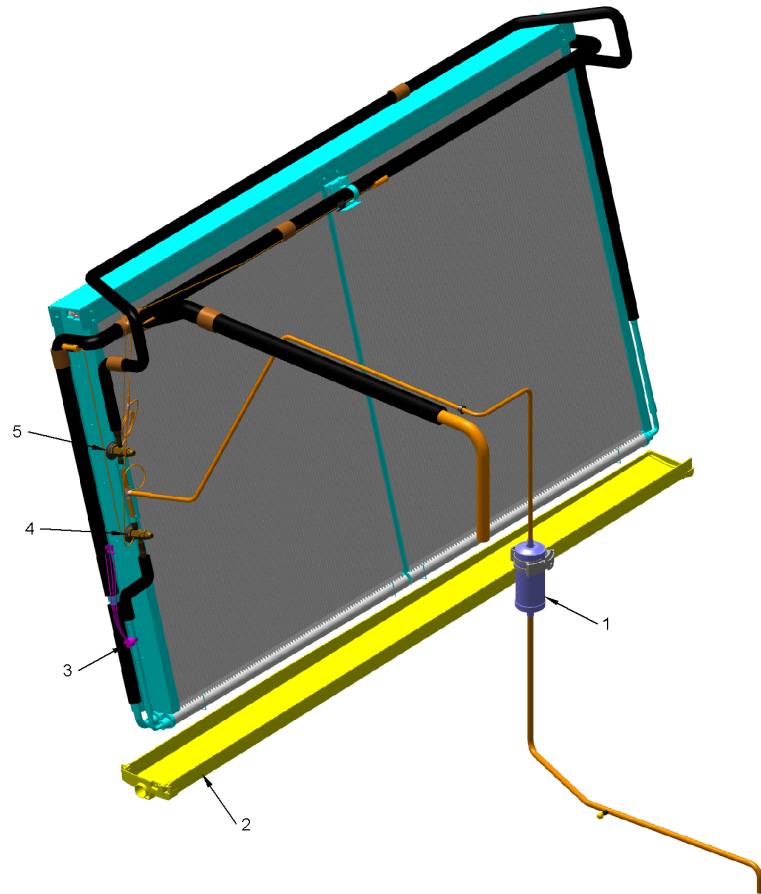
Model Number :EBC240A3E0A0000

| Part No. | Reference No. | Quantity | Description |
|----------|---------------|----------|---|
| COM12981 | 1 | 1 | COMPRESSOR; SCROLL-TANDEM READY; 10 TON; 122,000 BTUH; 230-60-3; R-410A |
| COM12977 | 2 | 1 | COMPRESSOR; SCROLL-TANDEM READY; 9 TON; 104,000 BTUH; 230-60-3; R-410A |
| HTR15357 | 3 | 1 | HEATER; CRANKCASE, 70W 230V 6.63 DIA |
| HTR15357 | 4 | 1 | HEATER; CRANKCASE, 70W 230V 6.63 DIA |

TXVS AND INTERCONNECTING TUBING

75012846

REV.
A



This is a typical illustration. The unit in the field may not appear exactly as shown.

Parts List Number :GACUP1

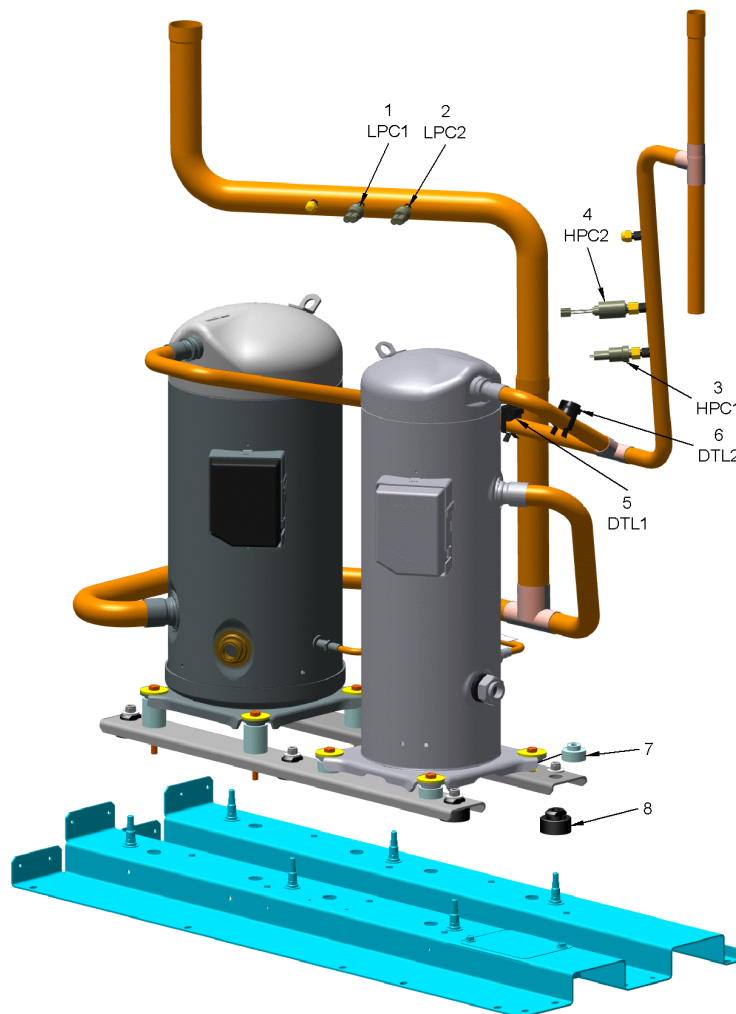
Model Number :EBC240A3E0A0000

| Part No. | Reference No. | Quantity | Description |
|-----------------|----------------------|-----------------|--|
| DHY01501 | 1 | 1 | DRIER; FILTER/LIQUID LINE,0.63 INLET 0.50 OUTLET |
| PAN03448 | 2 | 1 | PAN; DRAINPAN |
| THT03252 | 3 | 1 | THERMOSTAT; FROSTAT, TYPE - BI-METALIC DISC |
| VAL18990 | 4 | 1 | VALVE, THERMAL EXPANSION, 8 T CIR 2 |
| VAL18989 | 5 | 1 | VALVE, THERMAL EXPANSION, 8 T CIR 1 |

COMPRESSOR MANIFOLD PIPING
AND CONTROLS, 20, 25 TON

75012845

REV.
A



This is a typical illustration. The unit in the field may not appear exactly as shown.

Parts List Number :GACUP1

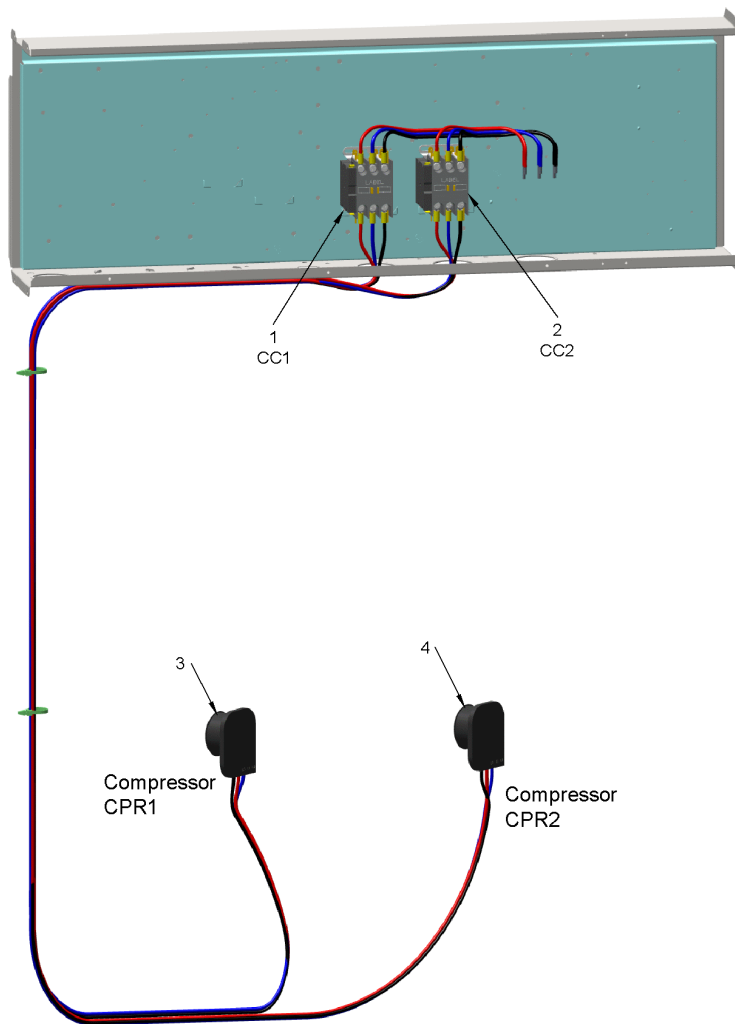
Model Number :EBC240A3E0A0000

| Part No. | Reference No. | Quantity | Description |
|----------|---------------|----------|---|
| SWT03921 | 1 | 1 | SWITCH; CONTROL; LOW PRESSURE; PRESS-LO - 35OP/55 CL, YELLOW LEADS |
| SWT03921 | 2 | 1 | SWITCH; CONTROL; LOW PRESSURE; PRESS-LO - 35OP/55 CL, YELLOW LEADS |
| CNT04960 | 3 | 1 | CONTROL; HIGH PRESSURE, 650 OPEN, 550 CLOSE, .25 FFL W/DEFLATOR, 72.00 RED LEADS WITH 1/4 FEMALE AND MALE QC-BLACK. |
| SWT03017 | 4 | 1 | SWITCH; HIGH PRESSURE, SPST, OPEN AT 650 PSIG, CLOSE AT 550 PSIG, 6.0 FLA, 36 LRA AT 120/240 VAC, 60 INCH ORANGE WIRE LEADS |
| THT02762 | 5 | 1 | THERMOSTAT; WITH CLIP, .875 TUBE, 72" BLACK WIRES, SPST, 230F OPEN, 180F CLOSE |
| THT02763 | 6 | 1 | THERMOSTAT; WITH CLIP, 0.875 TUBE, 72" RED WIRES, SPST, 230F OPEN, 180F CLOSE |
| GRM00888 | 8 | 6 | GROMMET; ISOLATOR, COMPRESSOR, .438 ID X .160 GRV, .750 DIA X 1.625 OD, BLACK NEOPRENE RUBBER |

COMPRESSOR POWER HARNESSES
AND CONTACTORS CC1, CC2

75012847

REV.
A

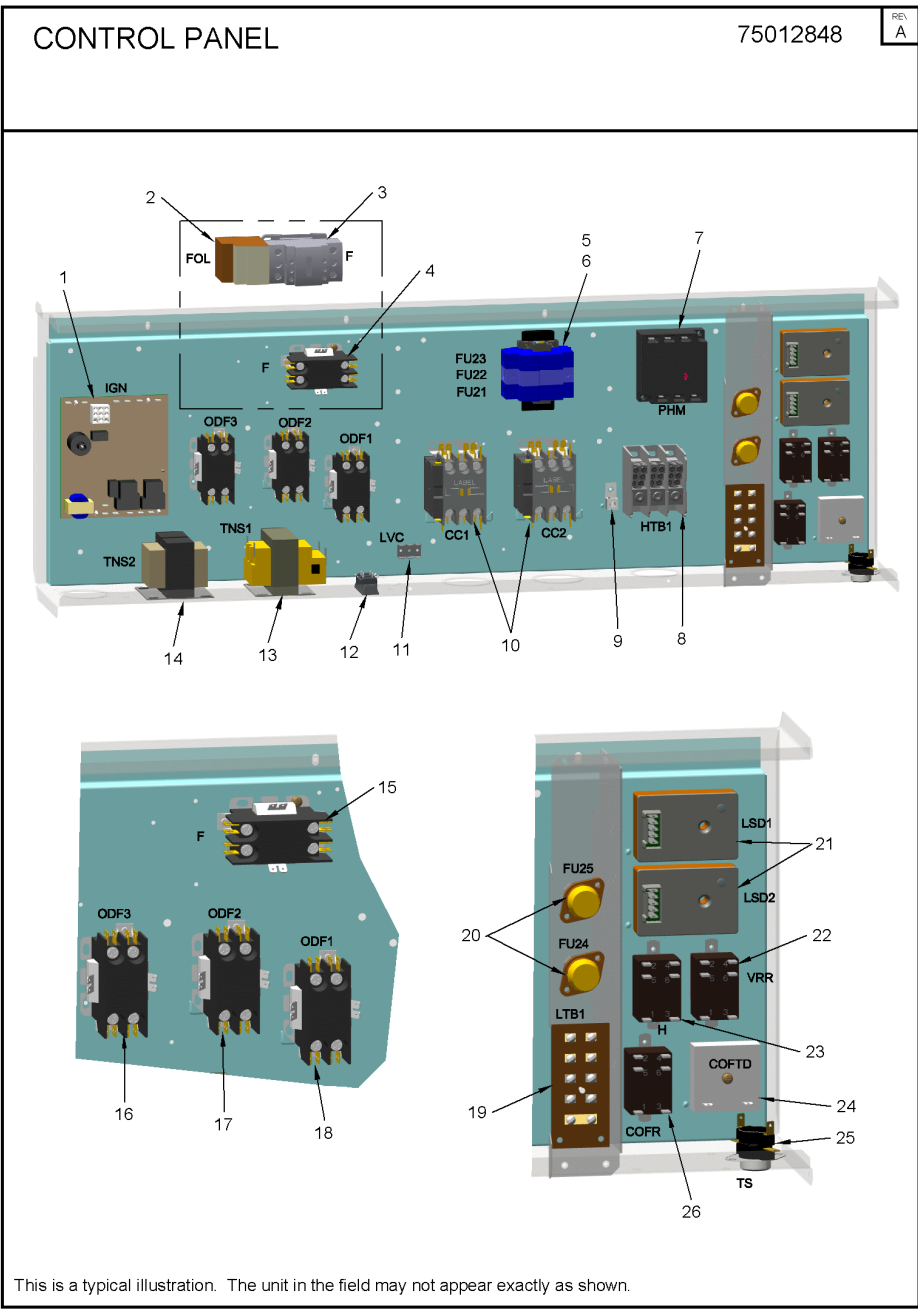


This is a typical illustration. The unit in the field may not appear exactly as shown.

Parts List Number :GACUP1

Model Number :EBC240A3E0A0000

| Part No. | Reference No. | Quantity | Description |
|-----------------|----------------------|-----------------|---|
| CTR03073 | 1 | 1 | CONTACTOR; 3 POLE, NO 63FLA AT 600V, W/NC SPST |
| CTR03073 | 2 | 1 | CONTACTOR; 3 POLE, NO 63FLA AT 600V, W/NC SPST |
| WIR09311 | 3 | 1 | WIRE; HARNESS POWER, COMPRESSOR - CC1 - COMPRESSOR 1, 17.5T-20T, 208/230V |
| WIR09315 | 4 | 1 | WIRE; HARNESS POWER, COMPRESSOR - CC2 - COMPRESSOR 2, 20T-25 T, 230 V |

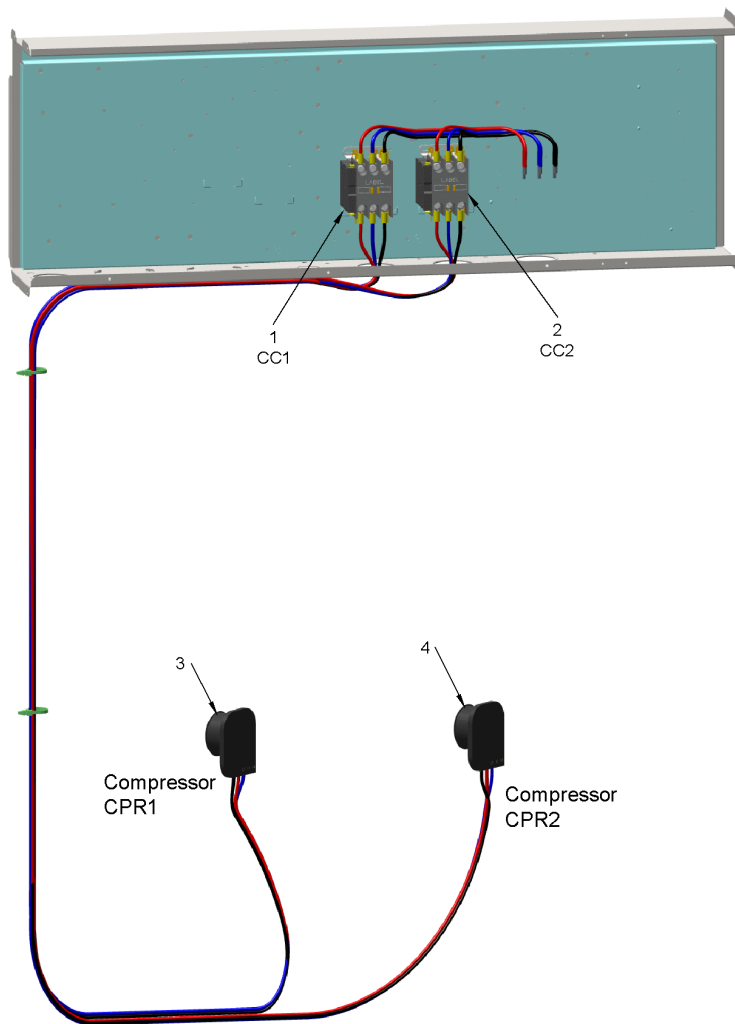


| Part No. | Reference No. | Quantity | Description |
|----------|---------------|----------|--|
| CTR01203 | 4 | 1 | CONTACTOR; 2P, 30A, 24V COIL, 30 FLA AT 277V |
| FUS01746 | 5 | 1 | HOLDER; FUSE 3P, 30A, 600V, CLASS CC ULTRASAFE |
| FUS01282 | 6 | 3 | MIN=10/10 FUSE; 20A, 600V, CLASS CC, 0.406 DIAMETER X 1.50 LONG, TIME DELAY |
| CNT05176 | 7 | 1 | CONTROL; MONITOR, 3-PHASE LINE, UNIVERSAL 180-632 VAC, PHASE AND LOSS REVERSAL |
| BLK01469 | 8 | 1 | BLOCK; TERMINAL, 3 POLE, 175A, 600V |
| CON00077 | 9 | 1 | CONNECTOR, ELECTRIC GROUND, 14-2 AWG SOLDERLESS |
| 75012847 | 10 | | COMPRESSOR POWER HARNESSSES AND CONTACTORS CC1, CC2 |
| BLK01438 | 11 | 1 | BLOCK; TERMINAL STRIP, 0.25 IN FASTON |
| BLK01642 | 12 | 1 | BLOCK; TERMINAL, DOUBLE ROW - 2 POLE |
| TRR02934 | 13 | 1 | TRANSFORMER, 100 VA, 208/230 V |
| CTR01203 | 15 | 1 | CONTACTOR; 2P, 30A, 24V COIL, 30 FLA AT 277V |
| CTR01203 | 17 | 1 | CONTACTOR; 2P, 30A, 24V COIL, 30 FLA AT 277V |
| CTR01203 | 18 | 1 | CONTACTOR; 2P, 30A, 24V COIL, 30 FLA AT 277V |
| TER01594 | 19 | 1 | TERMINAL; STRIP, LTB, INCLUDES CO2 & ESTOP CONNECTORS |
| FUS00038 | 20 | 1 | FUSEHOLDER; PANEL MTD, 600VAC, 30AMP |
| FUS00902 | 20 | 1 | FUSE; 5A, 200/230/60, 600V, CLASS CC |
| MOD02964 | 21 | 2 | MODULE, LOCKING SAFETY DEVICE WITH ASC TIMER |
| RLY02138 | 23 | 1 | RELAY; CONTROL, 1NO/1NC, 24V, 50/60HZ CONTACTS 125/250/277V |

COMPRESSOR POWER HARNESSES
AND CONTACTORS CC1, CC2

75012847

REV.
A



This is a typical illustration. The unit in the field may not appear exactly as shown.

Parts List Number :GACUP1

Model Number :EBC240A3E0A0000

| Part No. | Reference No. | Quantity | Description |
|-----------------|----------------------|-----------------|---|
| CTR03073 | 1 | 1 | CONTACTOR; 3 POLE, NO 63FLA AT 600V, W/NC SPST |
| CTR03073 | 2 | 1 | CONTACTOR; 3 POLE, NO 63FLA AT 600V, W/NC SPST |
| WIR09311 | 3 | 1 | WIRE; HARNESS POWER, COMPRESSOR - CC1 - COMPRESSOR 1, 17.5T-20T, 208/230V |
| WIR09315 | 4 | 1 | WIRE; HARNESS POWER, COMPRESSOR - CC2 - COMPRESSOR 2, 20T-25 T, 230 V |