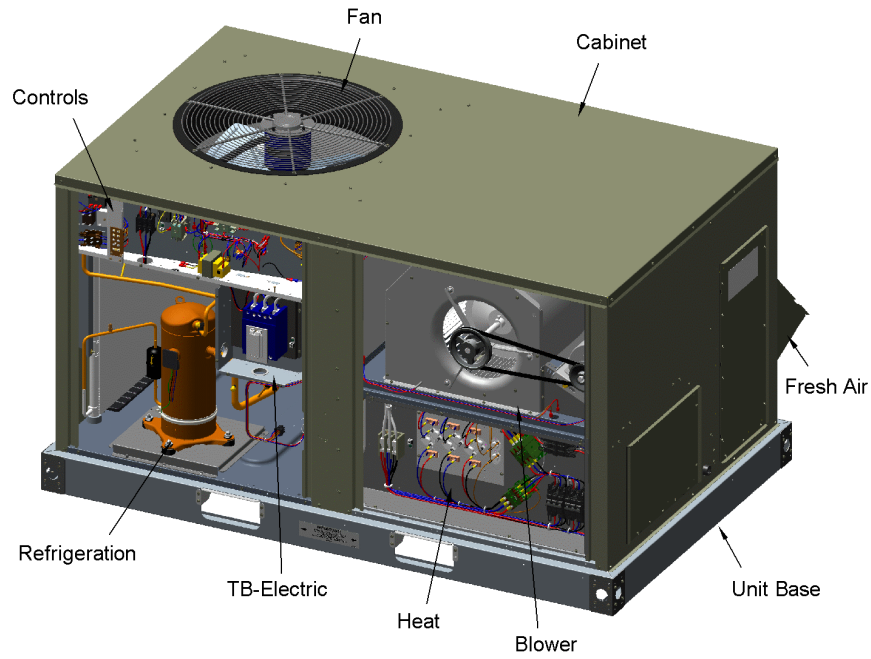


PACKAGED COOLING, ELECTRIC HEAT  
3 - 5 Ton Foundation

75011937

REV  
A

The sections that appear on this illustration are for all options.  
Sections and options will appear in the Parts List if ordered with the unit.



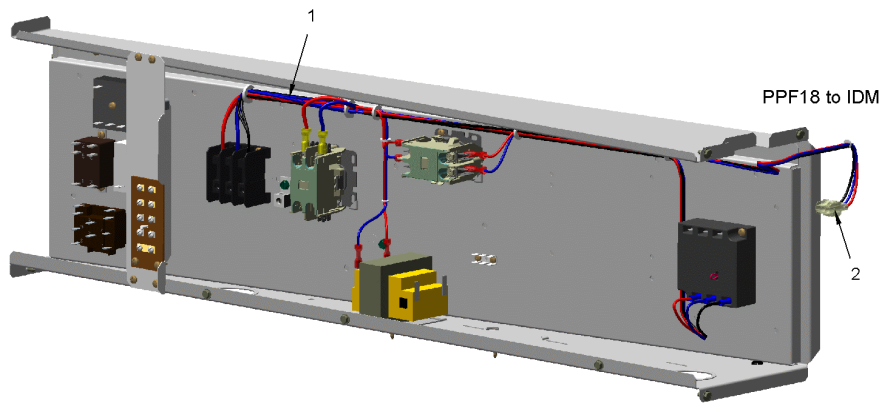
This is a typical illustration. The unit in the field may not appear exactly as shown.

<b>Part No.</b>	<b>Reference No.</b>	<b>Quantity</b>	<b>Description</b>
75011942	1		CONTROL PANEL
75011979	1		HARNESS - CONTROLS
75011978	1		HARNESS - POWER
75011963	1		LEGEND - DEVICE DESIGNATORS
75011957	2		FAN - OUTDOOR
75011939	3		CABINET
75011964	5		UNIT BASE COMPONENTS & INTERIOR DIVIDER PANELS
75011940	6		BLOWER - INDOOR FAN
75011943	8		REFRIGERATION
75011961	11		MODEL NUMBER DESCRIPTION DIGITS 1-20
75011962	11		MODEL NUMBER DESCRIPTION DIGITS 21-26 & MODEL NUMBER NOTES
OPTIONSEBC	12		OPTIONAL FIELD INSTALLED ACCESSORIES

POWER HARNESS  
3-5 Ton EBC

75011978

REV.  
A



This is a typical illustration. The unit in the field may not appear exactly as shown.

<b>Part No.</b>	<b>Reference No.</b>	<b>Quantity</b>	<b>Description</b>
WIR08769	1	1	WIRE; HARNESS, POWER; 3-5 TON COOLING ONLY
CON00973	2	1	CONNECTOR; 3 CKT, CAP HSG, WHITE/NATURAL

LEGEND - DEVICE DESIGNATORS

75011963

REV.  
A

Foundation 3 - 5 Ton

DEVICE DESIGNATION	DESCRIPTION
CC1	COMPRESSOR CONTACTOR
CCH	CRANKCASE HEATER
CFM	MOTOR - COMBUSTION FAN
CO2	CO2 SENSOR
COF	CONDENSATE OVERFLOW SWITCH
COFR	CONDENSATE OVERFLOW RELAY
COFTD	CONDENSATE OVERFLOW SWITCH TD
CPR	COMPRESSOR
DISC	SINGLE POINT DISCONNECT
DTL	SWITCH - DISCHARGE TEMP LIMIT
ECA	ECONOMIZER CONTROL ACTUATOR
ECON	MODULE ULTRA LOW-LEAK ECONOMIZER
EFR	ECONOMIZER FAULT RELAY
EH	RELAY CONTROL
ESTOP	EMERGENCY STOP SWITCH
F	FAN RELAY - CONTACTOR
FD	FLAME DETECTOR
FOS	FROSTAT SWITCH (OPTIONAL)
FR	FLAME ROLLOUT
FTB	INDOOR FAN HARNESS CONNECTION
FTD	FROSTAT TIME DELAY
GV	VALVE - GAS
HPC	SWITCH - HIGH PRESSURE
HTB	TERMINAL BLOCK
IDM	INDOOR BLOWER MOTOR
IGN	MODULE - GAS IGNITION
IP	IGNITOR PLUG

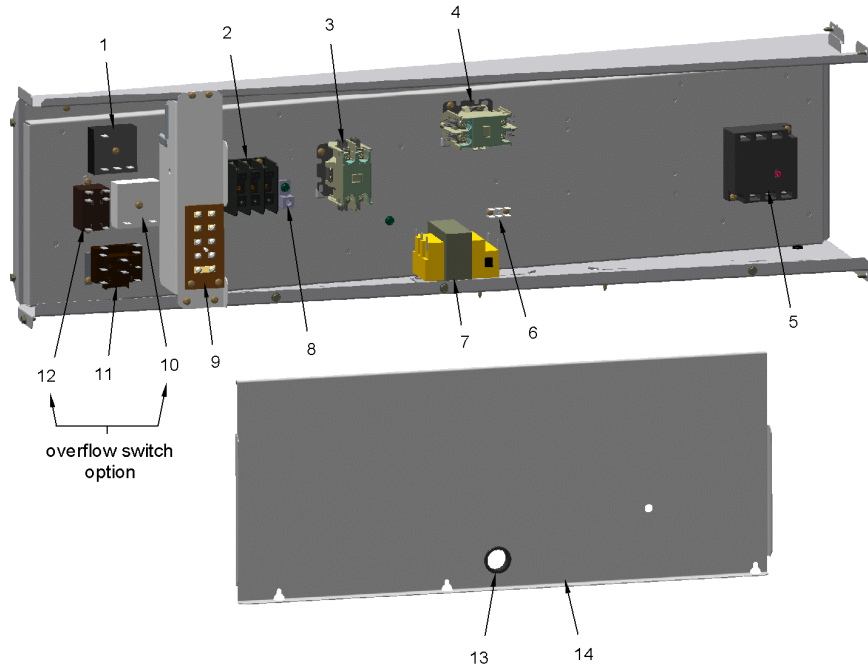
DEVICE DESIGNATION	DESCRIPTION
LAT	LOW AMBIENT TEMP SENSOR
LLT	SENSOR LIQUID LINE TEMPERATURE
LOAM	LOW AMBIENT CONTROLLER
LPBP	LOW-PRESSURE BYPASS TIME DELAY RELAY
LPC	SWITCH - LOW PRESSURE
LTB1	TERMINAL BLOCK
LTB2	TERMINAL BLOCK
LVC	LOW VOLTAGE (24V) COMMON
MAS	SENSOR MIXED AIR TEMP (STD)
MAS	SENSOR MIXED AIR TEMP (LOW LEAK)
MV	GAS - MAIN VALVE
OAE	SENSOR OUTDOOR AIR TEMP / HUMIDITY
OAH	SENSOR OUTSIDE AIR HUMIDITY
OAT	SENSOR OUTDOOR AIR TEMP
ODM	MOTOR - OUTDOOR
OHS	SENSOR OUTSIDE AIR HUMIDITY
PHM	MODULE - PHASE MONITOR
PS	PRESSURE SWITCH
RAE	RETURN AIR TEMP AND HUMIDITY
RAH	SENSOR RETURN AIR HUMIDITY
RAS	SENSOR RETURN AIR TEMP
RHS	SENSOR RETURN AIR HUMIDITY
RTEM	MODULE RELIATEL ECONOMIZER
TCO	TEMP CUTOUT
TNS1	TRANSFORMER - 24 CONTROLS
TNS2	TRANSFORMER - GAS HEAT
XFR	CONTACTOR - POWER EXHAUST

This is a typical illustration. The unit in the field may not appear exactly as shown.

CONTROLS  
3-5 Ton EBC

75011942

REV.  
A



This is a typical illustration. The unit in the field may not appear exactly as shown.

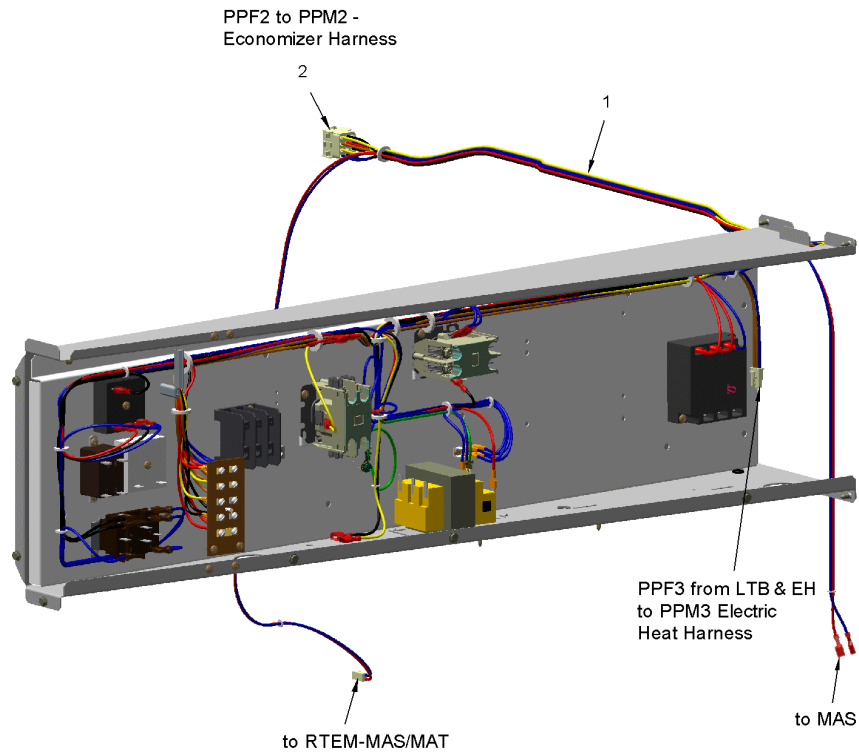
Part No.	Reference No.	Quantity	Description
TMR00199	1	1	TIMER; SOLID STATE, DELAY ON BREAK, .25 MALE QC TERMINALS, 10 AMPS IN RUSH
CTR00844	3	1	CONTACTOR; 30A, 240/277/480/600V, 24V COIL, 2 POLE
SCR00906	3	1	SCREW; 8-32 X .50
CTR00844	4	1	CONTACTOR; 30A, 240/277/480/600V, 24V COIL, 2 POLE
SCR00906	4	1	SCREW; 8-32 X .50
CNT05176	5	1	CONTROL; MONITOR, 3-PHASE LINE, UNIVERSAL 180-632 VAC, PHASE AND LOSS REVERSAL
SCR01072	5	2	SCREW;8-32 X 1.00
BLK01438	6	1	BLOCK; TERMINAL STRIP, 0.25 IN FASTON
SCR00721	6	2	SCREW; PHILLIPS HEAD, 6-32 X 1/2
TRR00826	7	1	TRANSFORMER; 75 VA, 460-575V PRI, 24V SEC
CON00077	8	1	CONNECTOR, ELECTRIC GROUND, 14-2 AWG SOLDERLESS
SCR01562	8	1	SCREW; 10-32 X .50 TR HEX WSHR HD DARK GREEN COATED
WAS00611	8	1	WASHER;LOCK, .19 ID X .39 OD
TER01594	9	1	TERMINAL; STRIP, LTB, INCLUDES CO2 & ESTOP CONNECTORS
RLY01040	11	1	RELAY; SPDT, 120/208/240/277/480/600V, QUICK CONNECT TERM., 24V COIL
BUS00316	13	1	BUSHING; SNAP, 1.09 INCH OD X 0.94 ID, MAX PANEL THICKNESS 0.125, BLACK NYLON
PNL34611	14	1	PANEL; DEAD FRONT; CONTROL BOX COVER

CONTROLS HARNESS

75011979

REV.  
A

3-5 Ton EBC



This is a typical illustration. The unit in the field may not appear exactly as shown.

<b>Part No.</b>	<b>Reference No.</b>	<b>Quantity</b>	<b>Description</b>
WIR08779	1	1	WIRE; HARNESS, CONTROL; 3T-5T COOLING ONLY
CON00973	2	1	CONNECTOR; 3 CKT, CAP HSG, WHITE/NATURAL

FAN - OUTDOOR

75011957

REV.  
A



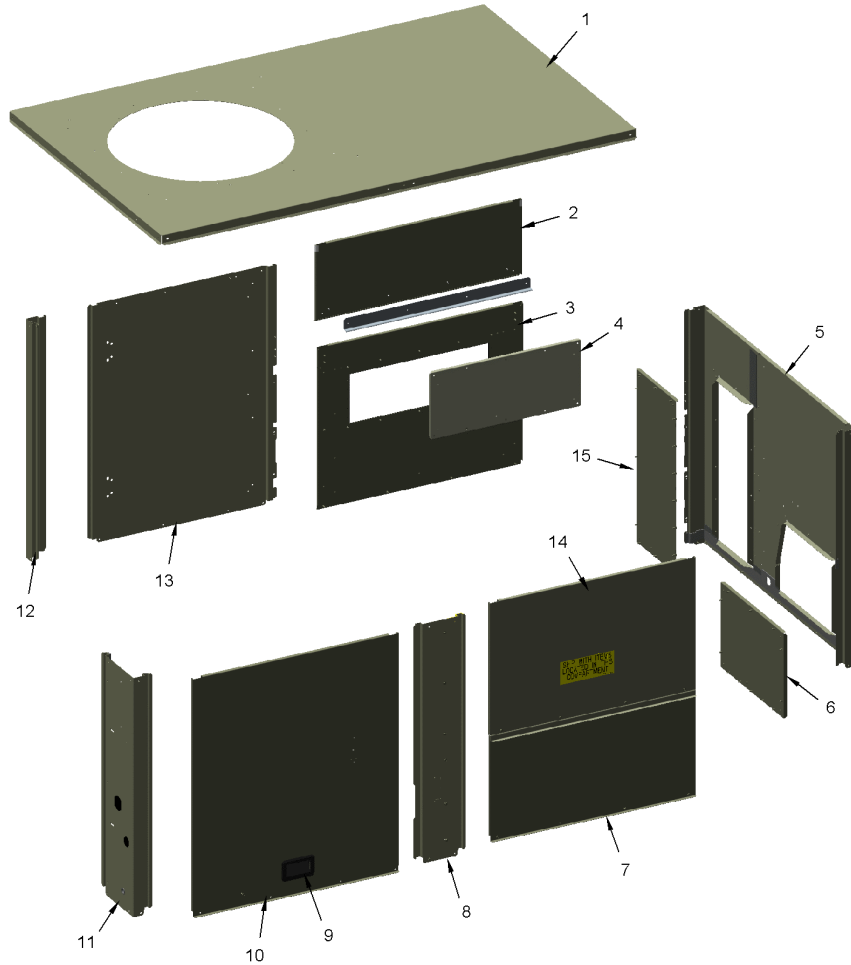
This is a typical illustration. The unit in the field may not appear exactly as shown.

<b>Part No.</b>	<b>Reference No.</b>	<b>Quantity</b>	<b>Description</b>
NUT00845	*	4	NUT; FLANGE NIBBED
GRL01863	1	1	GRILL; OUTDOOR FAN, WIRE, 26.85 MOUNTING DIA
MOT17968	2	1	MOTOR; 3 PHASE 1/3 HP 460/50-60/3
ORF01695	3	1	ORIFICE; PLASTIC INLET, 23.36 ID
FAN04028	4	1	FAN, 3 BLADE, ALUMINUM, 23" DIA, 24 DEGREES PITCH, .50" BORE, CCW, 1 SET SCREW-STEEL, SPIDER .057 THK, FINISH/PAINT
GRD01715	5	1	GUARD; TROUGH-LEAD, 11 IN L X 0.83 OD
SCR01623	6	4	SCREW; SHEET METAL, 10-16 UNC X 1/2, HIGH TORQUE, INDENT HEX-WASHER HEAD

CABINET  
3-5 Ton

75011939

REV.  
A



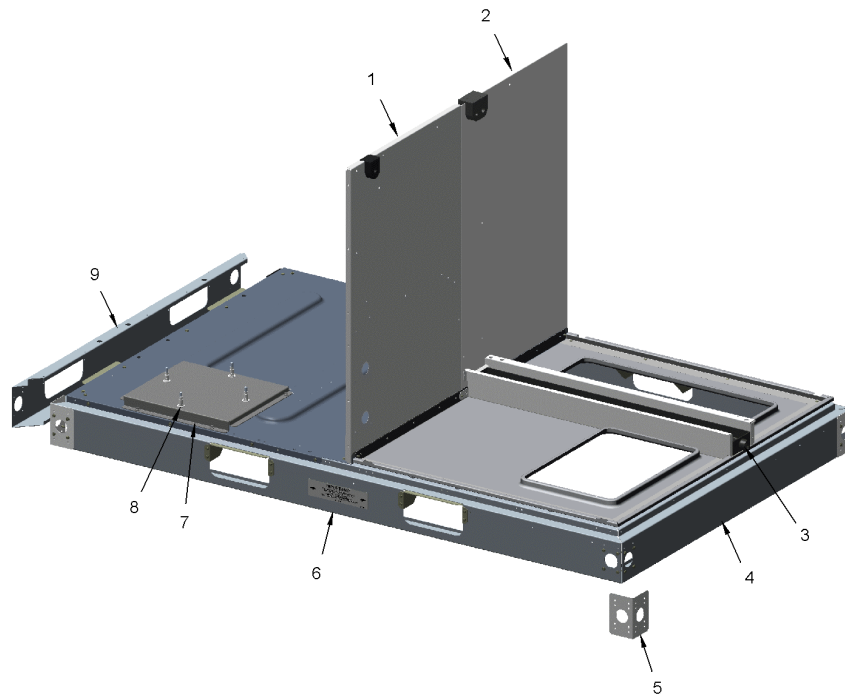
This is a typical illustration. The unit in the field may not appear exactly as shown.

Part No.	Reference No.	Quantity	Description
PAI00074	*	1	PAINT; SPRAY, SLATE GREY, FULL GLOSS(88) (SHIPPING UOM 12 OZ HAZ)
PNL34604	1	1	PANEL; ASSEMBLY; ROOF PANEL
PNL34596	2	1	PANEL; ASSEMBLY; FILTER ACCESS
PNL34581	3	1	PANEL; ASSEMBLY; ACCESSORY
PNL34595	3	1	PANEL; ACCESSORY
COV05306	4	1	COVER, MANUAL FRESH AIR
PNL34588	5	1	PANEL; ASSEMBLY; ID END
PNL34577	6	1	PANEL; ASSEMBLY; SUPPLY COVER
PNL34598	7	1	PANEL; ASSEMBLY; HEAT SECTION ACCESS
PNL34606	8	1	PANEL; ASSEMBLY; CENTER POST, FRONT
HDL00887	9	1	HANDLE; ACCESS PANEL, BLACK PLASTIC, 5.15 X 3.275
PNL34602	10	1	PANEL; ASSEMBLY; OD ACCESS PANEL, COOLING ONLY
BUS00821	11	1	BUSHING; SNAP, .88 MTG W/.69 HOLE (1 CTN = 50 PCS)
PLU00349	11	1	PLUG; 1.38 DIA HOLE, .12 THK PANEL, MOLDED PLASTIC
PLU00361	11	1	PLUG; 2.0 DIA, 0.12 THICK PLASTIC
PNL34608	11	1	PANEL; ASSEMBLY; OD FRONT CORNER POST
PNL34576	12	1	PANEL; CORNER POST; OD REAR
PNL34599	13	1	PANEL; ASSEMBLY; CENTER POST, REAR, 9.50 X 36.90
PNL34597	14	1	PANEL; ASSEMBLY; ID FAN ACCESS PANEL
PNL34607	15	1	PANEL; ASSEMBLY; RETURN COVER

BASE COMPONENTS

75011964

REV.  
A



This is a typical illustration. The unit in the field may not appear exactly as shown.

Parts List Number :EBCUP1

Model Number :EBC060A4E0A0000

<b>Part No.</b>	<b>Reference No.</b>	<b>Quantity</b>	<b>Description</b>
PNL34603	1	1	PANEL; ASSEMBLY; DIVIDER WALL, ELECTRIC HEAT
PNL34609	2	1	PANEL; ASSEMBLY; REAR DIVIDER PANEL
PAN04077	3	1	PAN; DRAIN
PLU01169	3	1	PLUG; THREADED 3/4
RAL01188	4	1	RAIL; BASE RAIL ID END
BRK04897	5	4	BRACKET; BASERAIL CORNER
RAL01190	6	2	RAIL; BASE RAIL FRONT AND REAR
PLU06192	7	1	NO DESCRIPTION AVAILABLE
NUT00890	8	4	NUT; PALLET, 5/16-18 UNC 2B THD.
RAL01189	9	1	RAIL; BASE RAIL OD END

BLOWER - INDOOR FAN

75011940

REV.  
A



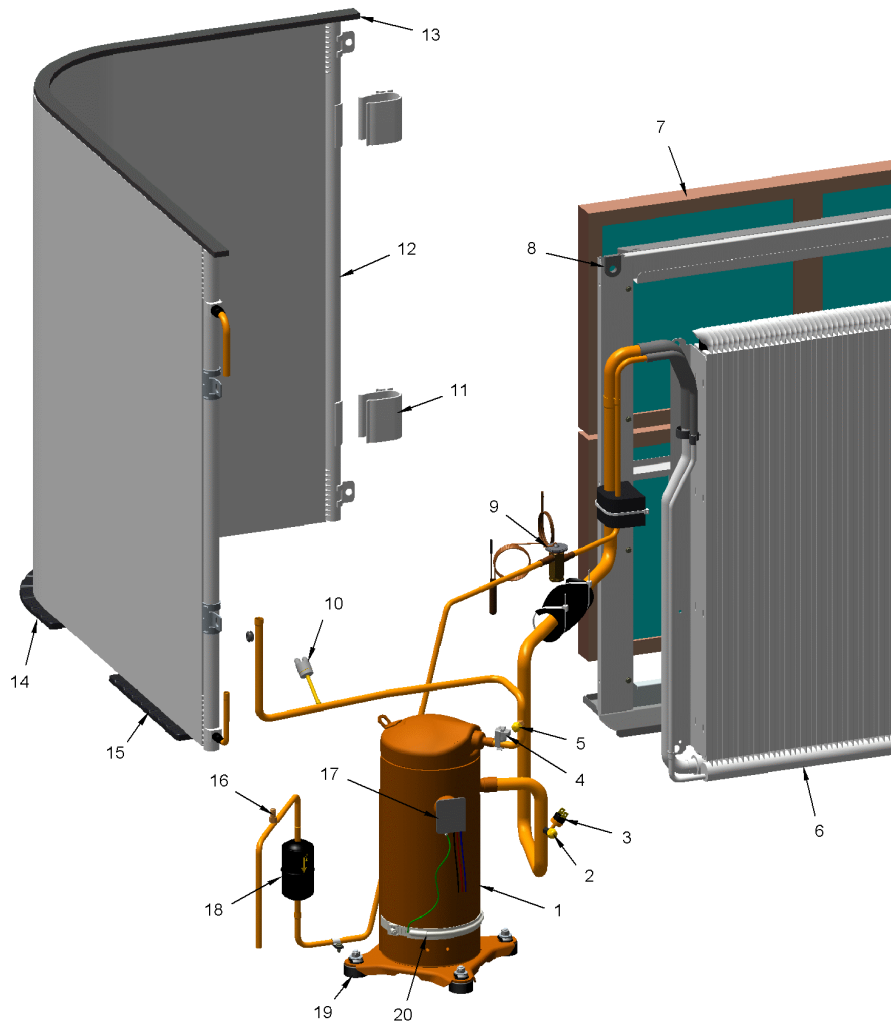
This is a typical illustration. The unit in the field may not appear exactly as shown.

Part No.	Reference No.	Quantity	Description
CON00280	*	1	CONNECTOR; .50 NOM
SLV00063	*	1	SLEEVE; .50 NOM, CONDUIT
MOT13023	1	1	MOTOR; 1 HP, 208-230/460/60/3, 380-415/50/3, 1725-1425 RPM, 56 FRAME, BALL BEARINGS
PLT06194	2	1	PLATE; ID MOTOR MOUNT SLIDE
PLT06195	3	1	PLATE; ID MOTOR MOUNT SUPPORT
SCR01634	4	1	SCREW; .31-18 X .75, HEX MACH
SHE00867	5	1	SHEAVE; 1VL34, 5/8 INCH BORE
BLL00441	6	1	V-BELT; AX40 NOTCHED 41.3 PL
BRG01578	7	2	BEARING;BALL; . 0.750 BORE, BB CTRG, SINGLE ROW, RADIAL CONTACT, RUBBER CUSHIONED
SHF03135	8	1	SHAFT; INDOOR FAN, 18.45 LENGTH, 0.75 DIA.
SHE01490	9	1	SHEAVE; AK49, .75 BORE
WIR08766	10	1	WIRE; HARNESS; INDOOR BLOWER MOTOR
CON00486	11	1	CONNECTOR; PLUG HOUSING, 3 PIN MALE
BRK03735	12	2	BRACKET; BEARING, 3 ARM MECHANICALLY CLINCHED ASSEMBLY
NUT00355	13	6	NUT; HEX, LOCK, 5/16IN.-18
WAS00355	13	6	WASHER;
HUS04323	14	1	HOUSING; BLOWER
WHL02170	15	1	WHEEL; FAN, 11.87 DIA X 11.93W, .75 BORE, CCW, CONCAVE
PNL34592	16	1	PANEL; ASSEMBLY; FAN BOARD; INDOOR FAN DECK

REFRIGERATION

75011943

REV.  
A



This is a typical illustration. The unit in the field may not appear exactly as shown.

Part No.	Reference No.	Quantity	Description
GRM00104	*	1	GROMMET; .52 ID X .05 GRV
GRM01027	*	2	GROMMET; COIL RETAINER
COM12223	1	1	COMPRESSOR; SCROLL; ALLIANCE; SXA051B4CPA, 4.25 TON, 460V/60/3 (380-415V/60/3), STUB TUBE, R-410A
CAP00072	2	1	CAP; VALVE, SEAL, .25 FFL
COR00006	2	1	CORE; VALVE PORT, .79 LENGTH, .206-36 UNS 2A THD
VAL01483	2	1	VALVE; BODY, .44-20 THD X .25 ODS, STRAIGHT, BRASS, LESS CORE
SWT03623	3	1	SWITCH; LOW PRESSURE CUTOUT, 250 OPEN, ACTUATION PRESSURE 55 +/- 5, RESET PRESSURE 35 +/- 5
THT03211	4	1	THERMOSTAT; WITH CLAMP
CAP00072	5	1	CAP; VALVE, SEAL, .25 FFL
COR00006	5	1	CORE; VALVE PORT, .79 LENGTH, .206-36 UNS 2A THD
VAL01483	5	1	VALVE; BODY, .44-20 THD X .25 ODS, STRAIGHT, BRASS, LESS CORE
COL28016	6	1	COIL; ID MCHE
GRM00104	8	1	GROMMET; .52 ID X .05 GRV
CLP00223	9	1	CLIP; BULB
VAL12843	9	1	VALVE; TEV HXE 3 KX200 R410A
CNT07725	10	1	CONTROL; HIGH PRESSURE CUT-OFF W/LEADS
CMP01384	11	2	CLIP; COIL, MOUNTING
PAD01507	14	1	PAD; OD COIL, CURVED
PAD01506	15	2	PAD; OD COIL, STRAIGHT
VAL01483	16	1	VALVE; BODY, .44-20 THD X .25 ODS, STRAIGHT, BRASS, LESS CORE
PLU01298	17	1	PLUG; SCROLL COMPRESSOR
DHY01511	18	1	DRIER; FILTER, LIQUID LINE, 5/16 ODM INLET X 5/16 ODF OUTLET, 8 CU INCH
GRM00888	19	4	GROMMET; ISOLATOR, COMPRESSOR, .438 ID X .160 GRV, .750 DIA X 1.625 OD, BLACK NEOPRENE RUBBER
NUT00355	19	4	NUT; HEX, LOCK, 5/16IN.-18
NUT00890	19	4	NUT; PALLET, 5/16-18 UNC 2B THD.
BAYCCHT011B	20	1	HEATER; ACCESSORY, CRANKCASE, 460/575V (BAYCCHT011BB)

**MODEL NUMBER DESCRIPTION**

75011962

REV.  
A

Foundation Cooling and Gas/Electric  
3-5 Tons

*Example Model Number:*

**GBC060A4EMA01G104C100000AB00000**  
1 - - - 5 - - - 10 - - - 15 - - - 20 - - - 25 - - - 30 -

**Digit 21 – Not Used**

**Digit 22 – Not Used**

**Digit 23 – Not Used**

**Digit 24 – Not Used**

**Digit 25 – System Monitoring Controls**

- 0 = No Monitoring Controls
- A = Condensate Drain Pan Overflow Switch

**Digit 26 – System Monitoring Controls**

- 0 = No Economizer Fault Detection and Diagnostics (FDD)
- B = Economizer Fault Detection and Diagnostics (FDD) (7)

**Model Number Notes**

1. Available on Digit 1=E units only.
2. For 8=K, Unit will operate reliably at 400V.
3. Factory installed economizers only available in downflow configuration.
4. Some field set up required.
5. Applicable to Digit 1, G models only.
6. Must be ordered with Through the Base Electrical option.
7. Fault Detection and Diagnostics (FDD) is available on Low Leak Economizers only.

<p><b>MODEL NUMBER DESCRIPTION</b> <span style="float: right;">75011961</span> <span style="float: right; border: 1px solid black; padding: 2px;">RP A</span></p> <p>Foundation Cooling and Gas/Electric 3-5 Tons</p>	
<p><i>Example Model Number:</i>  <b>EBC060A4ECA01G104A100000AB00000</b>  <small>1 - - - - 5 - - - - - 10 - - - - - 15 - - - - - 20 - - - - - 25 - - - - - 30 - - - - -</small></p>	
<p><b>Digit 1 – Unit Type</b>                  E = Packaged Cooling, Electric Heat                  G = Packaged Cooling, Gas Heat</p> <p><b>Digit 2 – Efficiency</b>                  B = ASHRAE 90.1 - 2016</p> <p><b>Digit 3 – Airflow Configuration</b>                  C = Convertible</p> <p><b>Digits 4,5,6 – Nominal Gross Cooling Capacity (MBh)</b>                  036 = 3 Tons                  048 = 4 Tons                  060 = 5 Tons</p> <p><b>Digit 7 – Major Design Sequence</b>                  A</p> <p><b>Digit 8 – Voltage Selection (1,2)</b>                  3 = 208-230/60/3                  4 = 460/60/3                  W = 575/60/3                  D = 380-415/50/3                  K = 380/60/3</p> <p><b>Digit 9 – Unit Controls</b>                  E = Electromechanical</p> <p><b>Digit 10 – Heating Capacity</b>                  0 = No Heat                  A = 5 kW Electric Heat                  B = 7.5 kW Electric Heat                  C = 10 kW Electric Heat                  D = 15 kW Electric Heat                  E = 20 kW Electric Heat                  F = 25 kW Electric Heat                  L = Gas Heat - Low                  M = Gas Heat - Medium                  X = Gas Heat, SS Ht Ex - Low                  M = Gas Heat, SS Ht Ex - Medium</p> <p><b>Digit 11 – Minor Design Sequence</b>                  A = First Sequence</p> <p><b>Digits 12, 13 – Service Sequence</b>                  ** = Factory Assigned</p>	<p><b>Digit 14 – Fresh Air Selection</b>                  0 = No Fresh Air                  A = Manual Outside Air Damper 0-50%                  B = Motorized Outside Air Damper 0-50%                  C = Economizer, Dry Bulb 0-100% without Barometric Relief (3)                  E = Economizer, Reference Enthalpy 0-100% without Barometric Relief (3)                  G = Economizer, Comparative Enthalpy 0-100% without Barometric Relief (3)                  J = Downflow Low Leak Economizer, Dry Bulb without Barometric Relief (3)                  K = Downflow Low Leak Economizer, Dry Bulb with Barometric Relief (3)                  L = Downflow Low Leak Economizer, Reference Enthalpy without Barometric Relief (3)                  M = Downflow Low Leak Economizer, Reference Enthalpy with Barometric Relief (3)                  N = Downflow Low Leak Economizer, (3) Comparative Enthalpy w/o Barometric Relief                  P = Downflow Low Leak Economizer, (3) Comparative Enthalpy with Barometric Relief</p> <p><b>Digits 15 – Supply Fan/Drive Type/Motor</b>                  0 = Standard Motor                  1 = Oversized Motor</p> <p><b>Digit 16 – Not Used</b></p> <p><b>Digit 17 – Condenser Coil Protection</b>                  0 = Standard Coil                  4 = CompleteCoat Condenser Coil</p> <p><b>Digit 18 – Through the Base Provisions</b>                  0 = No Through the Base Provisions                  A = Through the Base Electric                  B = Through the Base Gas Piping (4,5)                  C = Through the Base Electric and Gas Piping (4,5)</p> <p><b>Digit 19 – Disconnect Switch</b>                  0 = No Disconnect                  1 = Unit Mounted Non-Fused Disconnect (6)</p> <p><b>Digit 20 – Not Used</b></p>
<p>1 of 2</p>	

Parts List Number :EBCUP1

Model Number :EBC060A4E0A0000

Part No.	Reference No.	Quantity	Description
BAYBARO320A	*	1	KIT, BAROMETRIC RELIEF
BAYBARO321A	*	1	KIT, BAROMETRIC RELIEF, LLE W/FDD
BAYCCHT011B	*	1	HEATER; ACCESSORY, CRANKCASE, 460/575V (BAYCCHT011BB)
BAYCO2K300A	*	1	KIT; CO2
BAYCO2K301A	*	1	KIT;CO2
BAYCOSW320A	*	1	KIT; DRAIN PAN OVERFLOW SWITCH
BAYCURB320A	*	1	ASSEMBLY; ROOF CURB, 3-5 TON, SMALL FOUNDATION
BAYDMPR320A	*	1	KIT, MOTORIZED DAMPER
BAYDMPR321A	*	1	KIT, MANUAL DAMPER
BAYDSCF320A	*	1	UNIT MOUNTED DISCONNECT- COOLING ONLY, 100 AMP
BAYDSCF321A	*	1	UNIT MOUNTED DISCONNECT- ELECTRIC HEAT, 100 AMP
BAYECON320A	*	1	KIT, ECONOMIZER, DRY BULB
BAYECON353A	*	1	ACCESSORY; LOW LEAK ECONOMIZER, DRY BULB, DOWNFLOW W/FDD
BAYECON354A	*	1	ACCESSORY; LOW LEAK ECONOMIZER, DRY BULB, HORIZONTAL W/FDD
BAYENTH320A	*	1	KIT, REFERENCE ENTHALPY ECONOMIZER
BAYENTH321A	*	1	KIT, COMPARATIVE ENTHALPY ECONOMIZER
BAYENTH322A	*	1	KIT, REFERENCE ENTHALPY
BAYENTH323A	*	1	KIT, COMPARATIVE ENTHALPY, LLE W/FDD
BAYGARD320A	*	1	TOOL-LESS HAIL GUARD
BAYHSM321A	*	1	2 HP OVERSIZE MOTOR KIT (380V)
BAYHTFA405A	*	1	ELECTRIC HEAT KIT; 5KW 460V
BAYHTFA407A	*	1	ELECTRIC HEAT KIT; 7.5KW 460V
BAYHTFA410A	*	1	KIT; ELECTRIC HEATER, 10KW 480V
BAYHTFA415A	*	1	KIT; ELECTRIC HEATER, 15KW 480V
BAYHTFA420A	*	1	KIT; ELECTRIC HEATER, 20KW 480V
BAYHTFA425A	*	1	ELECTRIC HEAT KIT; 25KW 460V
BAYLOAM330A	*	1	KIT, FROSTAT
BAYLOAM340A	*	1	LOW AMBIENT KIT
BAYPWRX321A	*	1	ACCESSORY; POWER EXHAUST, 3-5T, DF, 460V
BAYSTAT300A	*	1	ACCESSORY; BACNET THERMOSTAT
BAYTBUE320A	*	1	THROUGH THE BASE - ELEC.
TCONT402AN32DA	*	1	THERMOSTAT; 3 HEAT (GAS/ELEC), 2 COOL/HEAT PUMP DUAL FUEL (TCONT402AN32DAA)
TCONT802AS32DA	*	1	THERMOSTAT; PROGRAMMABLE 7-DAY, 3 HEAT/2 COOL (TCONT802AS32DAA)
TMR00140	*	1	TIMER; ANTISHORT CYCLE (BAYASCT001)