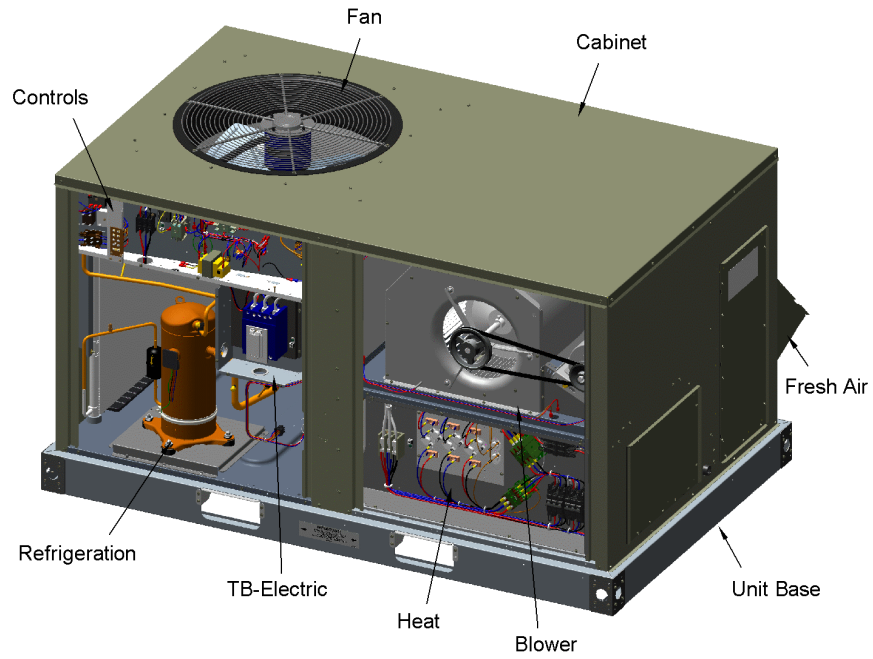


PACKAGED COOLING, ELECTRIC HEAT
3 - 5 Ton Foundation

75011937

REV
A

The sections that appear on this illustration are for all options.
Sections and options will appear in the Parts List if ordered with the unit.



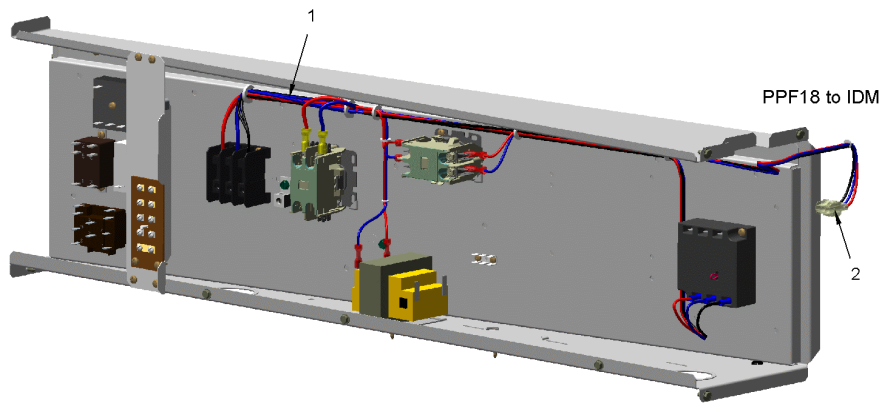
This is a typical illustration. The unit in the field may not appear exactly as shown.

| Part No. | Reference No. | Quantity | Description |
|-----------------|----------------------|-----------------|--|
| 75011942 | 1 | | CONTROL PANEL |
| 75011979 | 1 | | HARNESS - CONTROLS |
| 75011978 | 1 | | HARNESS - POWER |
| 75011963 | 1 | | LEGEND - DEVICE DESIGNATORS |
| 75011957 | 2 | | FAN - OUTDOOR |
| 75011939 | 3 | | CABINET |
| 75011964 | 5 | | UNIT BASE COMPONENTS & INTERIOR DIVIDER PANELS |
| 75011940 | 6 | | BLOWER - INDOOR FAN |
| 75011943 | 8 | | REFRIGERATION |
| 75011961 | 11 | | MODEL NUMBER DESCRIPTION DIGITS 1-20 |
| 75011962 | 11 | | MODEL NUMBER DESCRIPTION DIGITS 21-26 & MODEL NUMBER NOTES |
| OPTIONSEBC | 12 | | OPTIONAL FIELD INSTALLED ACCESSORIES |

POWER HARNESS
3-5 Ton EBC

75011978

REV.
A



This is a typical illustration. The unit in the field may not appear exactly as shown.

| Part No. | Reference No. | Quantity | Description |
|-----------------|----------------------|-----------------|--|
| WIR08769 | 1 | 1 | WIRE; HARNESS, POWER; 3-5 TON COOLING ONLY |
| CON00973 | 2 | 1 | CONNECTOR; 3 CKT, CAP HSG, WHITE/NATURAL |

LEGEND - DEVICE DESIGNATORS

75011963

REV.
A

Foundation 3 - 5 Ton

| DEVICE DESIGNATION | DESCRIPTION |
|--------------------|----------------------------------|
| CC1 | COMPRESSOR CONTACTOR |
| CCH | CRANKCASE HEATER |
| CFM | MOTOR - COMBUSTION FAN |
| CO2 | CO2 SENSOR |
| COF | CONDENSATE OVERFLOW SWITCH |
| COFR | CONDENSATE OVERFLOW RELAY |
| COFTD | CONDENSATE OVERFLOW SWITCH TD |
| CPR | COMPRESSOR |
| DISC | SINGLE POINT DISCONNECT |
| DTL | SWITCH - DISCHARGE TEMP LIMIT |
| ECA | ECONOMIZER CONTROL ACTUATOR |
| ECON | MODULE ULTRA LOW-LEAK ECONOMIZER |
| EFR | ECONOMIZER FAULT RELAY |
| EH | RELAY CONTROL |
| ESTOP | EMERGENCY STOP SWITCH |
| F | FAN RELAY - CONTACTOR |
| FD | FLAME DETECTOR |
| FOS | FROSTAT SWITCH (OPTIONAL) |
| FR | FLAME ROLLOUT |
| FTB | INDOOR FAN HARNESS CONNECTION |
| FTD | FROSTAT TIME DELAY |
| GV | VALVE - GAS |
| HPC | SWITCH - HIGH PRESSURE |
| HTB | TERMINAL BLOCK |
| IDM | INDOOR BLOWER MOTOR |
| IGN | MODULE - GAS IGNITION |
| IP | IGNITOR PLUG |

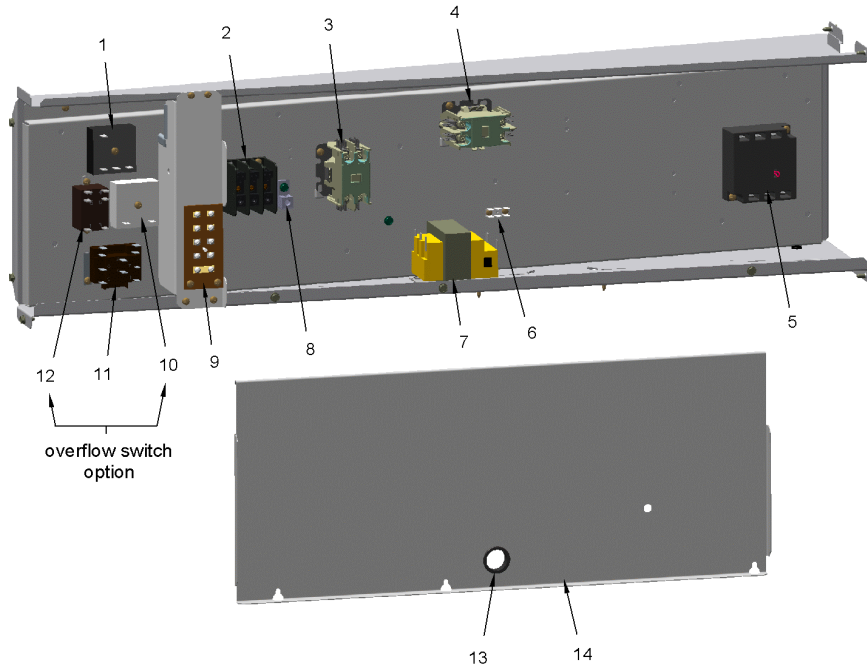
| DEVICE DESIGNATION | DESCRIPTION |
|--------------------|--------------------------------------|
| LAT | LOW AMBIENT TEMP SENSOR |
| LLT | SENSOR LIQUID LINE TEMPERATURE |
| LOAM | LOW AMBIENT CONTROLLER |
| LPBP | LOW-PRESSURE BYPASS TIME DELAY RELAY |
| LPC | SWITCH - LOW PRESSURE |
| LTB1 | TERMINAL BLOCK |
| LTB2 | TERMINAL BLOCK |
| LVC | LOW VOLTAGE (24V) COMMON |
| MAS | SENSOR MIXED AIR TEMP (STD) |
| MAS | SENSOR MIXED AIR TEMP (LOW LEAK) |
| MV | GAS - MAIN VALVE |
| OAE | SENSOR OUTDOOR AIR TEMP / HUMIDITY |
| OAH | SENSOR OUTSIDE AIR HUMIDITY |
| OAT | SENSOR OUTDOOR AIR TEMP |
| ODM | MOTOR - OUTDOOR |
| OHS | SENSOR OUTSIDE AIR HUMIDITY |
| PHM | MODULE - PHASE MONITOR |
| PS | PRESSURE SWITCH |
| RAE | RETURN AIR TEMP AND HUMIDITY |
| RAH | SENSOR RETURN AIR HUMIDITY |
| RAS | SENSOR RETURN AIR TEMP |
| RHS | SENSOR RETURN AIR HUMIDITY |
| RTEM | MODULE RELIATEL ECONOMIZER |
| TCO | TEMP CUTOUT |
| TNS1 | TRANSFORMER - 24 CONTROLS |
| TNS2 | TRANSFORMER - GAS HEAT |
| XFR | CONTACTOR - POWER EXHAUST |

This is a typical illustration. The unit in the field may not appear exactly as shown.

CONTROLS
3-5 Ton EBC

75011942

REV.
A



This is a typical illustration. The unit in the field may not appear exactly as shown.

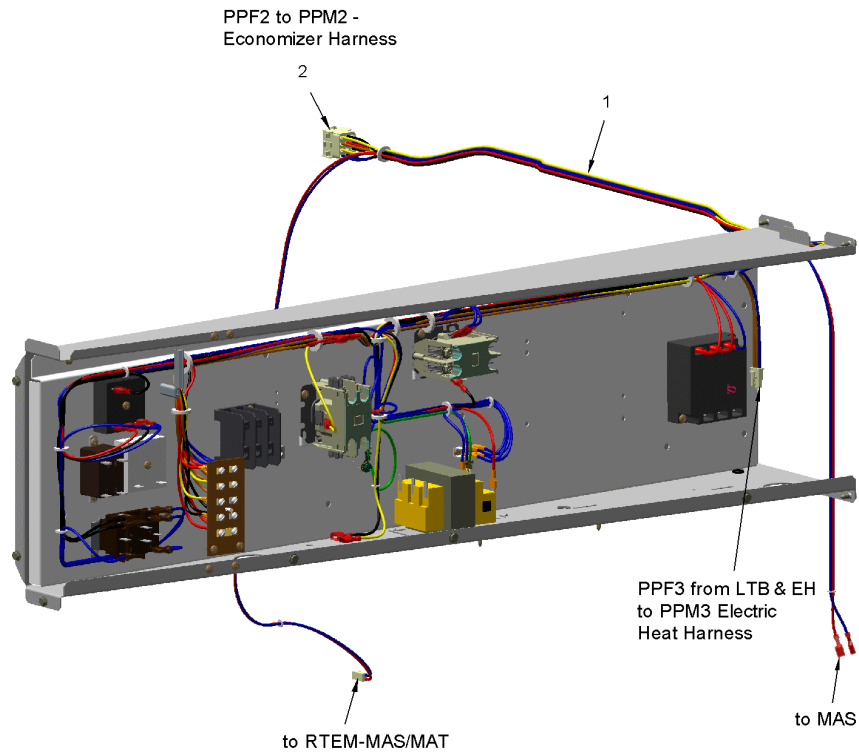
| Part No. | Reference No. | Quantity | Description |
|----------|---------------|----------|--|
| TMR00199 | 1 | 1 | TIMER; SOLID STATE, DELAY ON BREAK, .25 MALE QC TERMINALS, 10 AMPS IN RUSH |
| CTR00844 | 3 | 1 | CONTACTOR; 30A, 240/277/480/600V, 24V COIL, 2 POLE |
| SCR00906 | 3 | 1 | SCREW; 8-32 X .50 |
| CTR00844 | 4 | 1 | CONTACTOR; 30A, 240/277/480/600V, 24V COIL, 2 POLE |
| SCR00906 | 4 | 1 | SCREW; 8-32 X .50 |
| CNT05176 | 5 | 1 | CONTROL; MONITOR, 3-PHASE LINE, UNIVERSAL 180-632 VAC, PHASE AND LOSS REVERSAL |
| SCR01072 | 5 | 2 | SCREW;8-32 X 1.00 |
| BLK01438 | 6 | 1 | BLOCK; TERMINAL STRIP, 0.25 IN FASTON |
| SCR00721 | 6 | 2 | SCREW; PHILLIPS HEAD, 6-32 X 1/2 |
| TRR00825 | 7 | 1 | TRANSFORMER; 75 VA, 208-230V PRI, 24V SEC |
| CON00077 | 8 | 1 | CONNECTOR, ELECTRIC GROUND, 14-2 AWG SOLDERLESS |
| SCR01562 | 8 | 1 | SCREW; 10-32 X .50 TR HEX WSHR HD DARK GREEN COATED |
| WAS00611 | 8 | 1 | WASHER;LOCK, .19 ID X .39 OD |
| TER01594 | 9 | 1 | TERMINAL; STRIP, LTB, INCLUDES CO2 & ESTOP CONNECTORS |
| RLY01040 | 11 | 1 | RELAY; SPDT, 120/208/240/277/480/600V, QUICK CONNECT TERM., 24V COIL |
| BUS00316 | 13 | 1 | BUSHING; SNAP, 1.09 INCH OD X 0.94 ID, MAX PANEL THICKNESS 0.125, BLACK NYLON |
| PNL34611 | 14 | 1 | PANEL; DEAD FRONT; CONTROL BOX COVER |

CONTROLS HARNESS

75011979

REV.
A

3-5 Ton EBC



This is a typical illustration. The unit in the field may not appear exactly as shown.

| Part No. | Reference No. | Quantity | Description |
|-----------------|----------------------|-----------------|--|
| WIR08779 | 1 | 1 | WIRE; HARNESS, CONTROL; 3T-5T COOLING ONLY |
| CON00973 | 2 | 1 | CONNECTOR; 3 CKT, CAP HSG, WHITE/NATURAL |

FAN - OUTDOOR

75011957

REV.
A



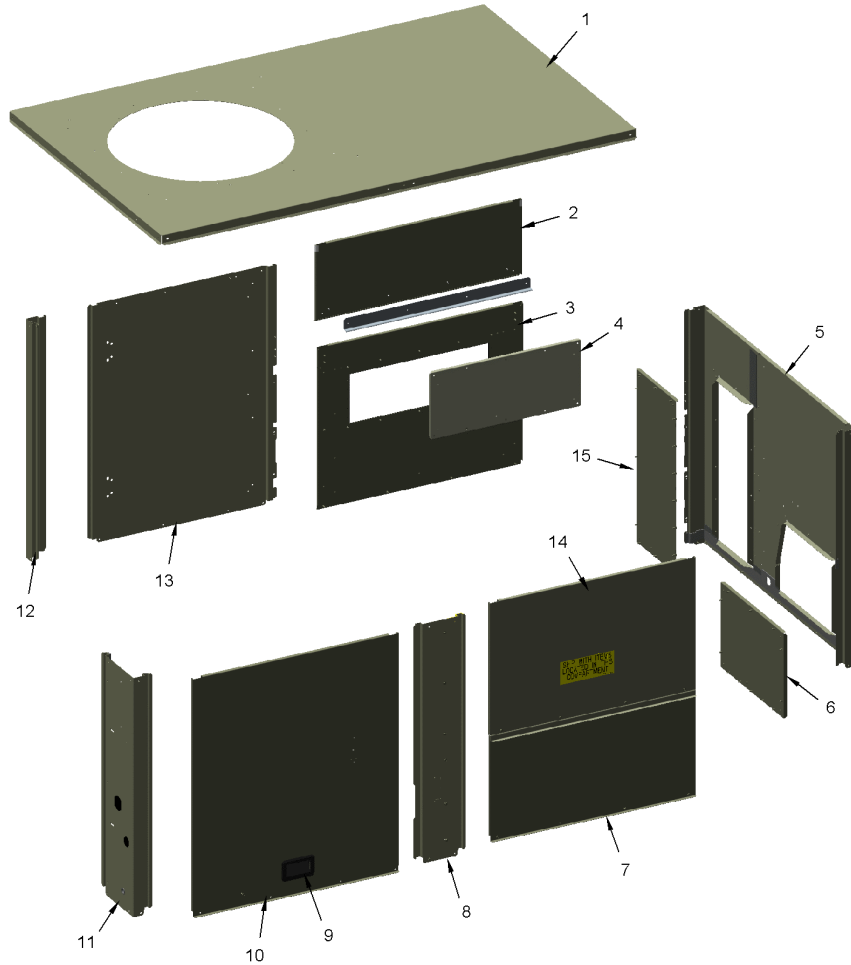
This is a typical illustration. The unit in the field may not appear exactly as shown.

| Part No. | Reference No. | Quantity | Description |
|-----------------|----------------------|-----------------|---|
| NUT00845 | * | 4 | NUT; FLANGE NIBBED |
| GRL01863 | 1 | 1 | GRILL; OUTDOOR FAN, WIRE, 26.85 MOUNTING DIA |
| MOT17967 | 2 | 1 | MOTOR; 3 PHASE 1/3 HP 208/50-60/3 |
| ORF01695 | 3 | 1 | ORIFICE; PLASTIC INLET, 23.36 ID |
| FAN04028 | 4 | 1 | FAN, 3 BLADE, ALUMINUM, 23" DIA, 24 DEGREES PITCH, .50" BORE, CCW, 1 SET SCREW-STEEL, SPIDER .057 THK, FINISH/PAINT |
| GRD01715 | 5 | 1 | GUARD; TROUGH-LEAD, 11 IN L X 0.83 OD |
| SCR01623 | 6 | 4 | SCREW; SHEET METAL, 10-16 UNC X 1/2, HIGH TORQUE, INDENT HEX-WASHER HEAD |

CABINET
3-5 Ton

75011939

REV.
A



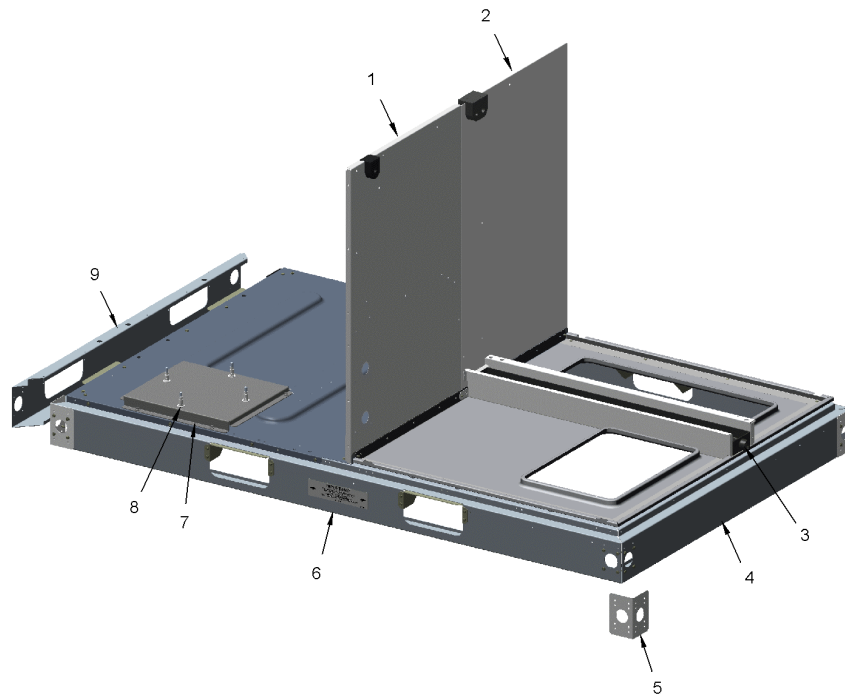
This is a typical illustration. The unit in the field may not appear exactly as shown.

| Part No. | Reference No. | Quantity | Description |
|----------|---------------|----------|---|
| PAI00074 | * | 1 | PAINT; SPRAY, SLATE GREY, FULL GLOSS(88) (SHIPPING UOM 12 OZ HAZ) |
| PNL34604 | 1 | 1 | PANEL; ASSEMBLY; ROOF PANEL |
| PNL34596 | 2 | 1 | PANEL; ASSEMBLY; FILTER ACCESS |
| PNL34581 | 3 | 1 | PANEL; ASSEMBLY; ACCESSORY |
| PNL34595 | 3 | 1 | PANEL; ACCESSORY |
| COV05306 | 4 | 1 | COVER, MANUAL FRESH AIR |
| PNL34588 | 5 | 1 | PANEL; ASSEMBLY; ID END |
| PNL34577 | 6 | 1 | PANEL; ASSEMBLY; SUPPLY COVER |
| PNL34598 | 7 | 1 | PANEL; ASSEMBLY; HEAT SECTION ACCESS |
| PNL34606 | 8 | 1 | PANEL; ASSEMBLY; CENTER POST, FRONT |
| HDL00887 | 9 | 1 | HANDLE; ACCESS PANEL, BLACK PLASTIC, 5.15 X 3.275 |
| PNL34602 | 10 | 1 | PANEL; ASSEMBLY; OD ACCESS PANEL, COOLING ONLY |
| BUS00821 | 11 | 1 | BUSHING; SNAP, .88 MTG W/.69 HOLE (1 CTN = 50 PCS) |
| PLU00349 | 11 | 1 | PLUG; 1.38 DIA HOLE, .12 THK PANEL, MOLDED PLASTIC |
| PLU00361 | 11 | 1 | PLUG; 2.0 DIA, 0.12 THICK PLASTIC |
| PNL34608 | 11 | 1 | PANEL; ASSEMBLY; OD FRONT CORNER POST |
| PNL34576 | 12 | 1 | PANEL; CORNER POST; OD REAR |
| PNL34600 | 13 | 1 | PANEL; ASSEMBLY; CENTER POST, REAR |
| PNL34597 | 14 | 1 | PANEL; ASSEMBLY; ID FAN ACCESS PANEL |
| PNL34607 | 15 | 1 | PANEL; ASSEMBLY; RETURN COVER |

BASE COMPONENTS

75011964

REV.
A



This is a typical illustration. The unit in the field may not appear exactly as shown.

Parts List Number :EBCUP1

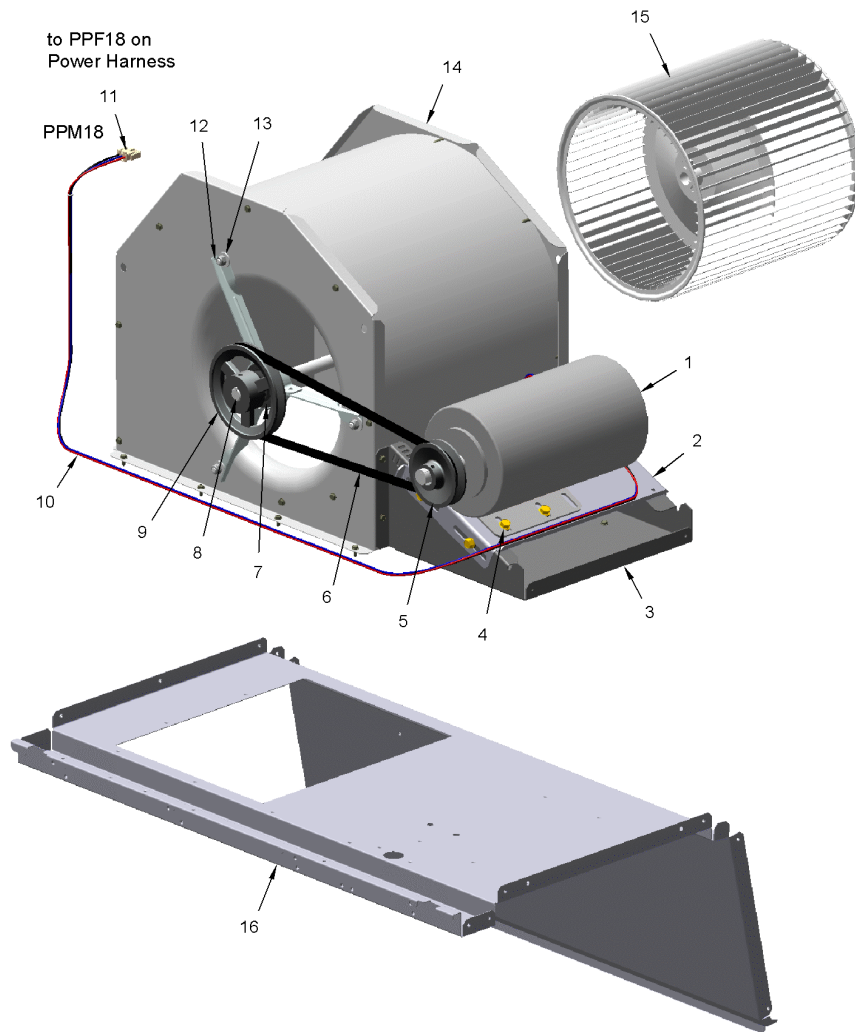
Model Number :EBC036A3E0B0001

| Part No. | Reference No. | Quantity | Description |
|-----------------|----------------------|-----------------|--|
| PNL34603 | 1 | 1 | PANEL; ASSEMBLY; DIVIDER WALL, ELECTRIC HEAT |
| PNL34609 | 2 | 1 | PANEL; ASSEMBLY; REAR DIVIDER PANEL |
| PAN04077 | 3 | 1 | PAN; DRAIN |
| PLU01169 | 3 | 1 | PLUG; THREADED 3/4 |
| RAL01188 | 4 | 1 | RAIL; BASE RAIL ID END |
| BRK04897 | 5 | 4 | BRACKET; BASERAIL CORNER |
| RAL01190 | 6 | 2 | RAIL; BASE RAIL FRONT AND REAR |
| PLU06192 | 7 | 1 | NO DESCRIPTION AVAILABLE |
| NUT00890 | 8 | 4 | NUT; PALLET, 5/16-18 UNC 2B THD. |
| RAL01189 | 9 | 1 | RAIL; BASE RAIL OD END |

BLOWER - INDOOR FAN

75011940

REV.
A



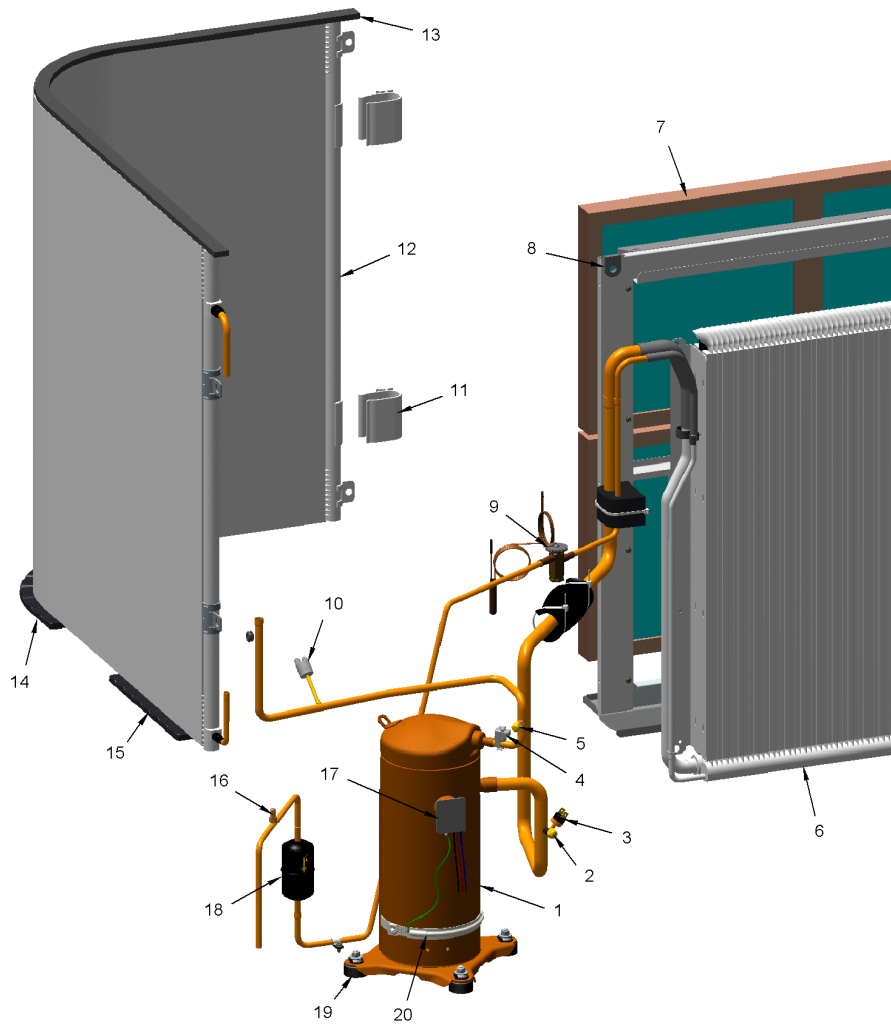
This is a typical illustration. The unit in the field may not appear exactly as shown.

| Part No. | Reference No. | Quantity | Description |
|----------|---------------|----------|--|
| CON00280 | * | 1 | CONNECTOR; .50 NOM |
| SLV00063 | * | 1 | SLEEVE; .50 NOM, CONDUIT |
| MOT13032 | 1 | 1 | MOTOR; 2.0 HP AT 208-230/460/60/3. 1.5 HP AT 190/380-415/50/3, 1740 RPM, 145T FRAME, BALL BEARINGS |
| PLT06193 | 2 | 1 | PLATE; ID MOTOR MOUNT SLIDE |
| PLT06195 | 3 | 1 | PLATE; ID MOTOR MOUNT SUPPORT |
| SCR01634 | 4 | 1 | SCREW; .31-18 X .75, HEX MACH |
| SHE00046 | 5 | 1 | SHEAVE; 1VL40, 7/8 IN. BORE |
| BLL00441 | 6 | 1 | V-BELT; AX40 NOTCHED 41.3 PL |
| BRG01578 | 7 | 2 | BEARING;BALL; . 0.750 BORE, BB CTRG, SINGLE ROW, RADIAL CONTACT, RUBBER CUSHIONED |
| SHF03135 | 8 | 1 | SHAFT; INDOOR FAN, 18.45 LENGTH, 0.75 DIA. |
| SHE01587 | 9 | 1 | SHEAVE; 1 GRV-A-FP .75 BORE V-BELT TYPE PD=3L-4.9 A-5.2 MAX OD=5.5 MAX WIDTH=1.38 |
| WIR08766 | 10 | 1 | WIRE; HARNESS; INDOOR BLOWER MOTOR |
| CON00486 | 11 | 1 | CONNECTOR; PLUG HOUSING, 3 PIN MALE |
| BRK03735 | 12 | 2 | BRACKET; BEARING, 3 ARM MECHANICALLY CLINCHED ASSEMBLY |
| NUT00355 | 13 | 6 | NUT; HEX, LOCK, 5/16IN.-18 |
| WAS00355 | 13 | 6 | WASHER; |
| HUS04323 | 14 | 1 | HOUSING; BLOWER |
| WHL02170 | 15 | 1 | WHEEL; FAN, 11.87 DIA X 11.93W, .75 BORE, CCW, CONCAVE |
| PNL34592 | 16 | 1 | PANEL; ASSEMBLY; FAN BOARD; INDOOR FAN DECK |

REFRIGERATION

75011943

REV.
A



This is a typical illustration. The unit in the field may not appear exactly as shown.

| Part No. | Reference No. | Quantity | Description |
|-------------|---------------|----------|---|
| GRM00104 | * | 1 | GROMMET; .52 ID X .05 GRV |
| GRM01027 | * | 2 | GROMMET; COIL RETAINER |
| COM10802 | 1 | 1 | COMPRESSOR; SCROLL, SXA031C3CPA, 2.58 TON, 200/230/60/3, R410A, BLACK |
| CAP00072 | 2 | 1 | CAP; VALVE, SEAL, .25 FFL |
| COR00006 | 2 | 1 | CORE; VALVE PORT, .79 LENGTH, .206-36 UNS 2A THD |
| VAL01483 | 2 | 1 | VALVE; BODY, .44-20 THD X .25 ODS, STRAIGHT, BRASS, LESS CORE |
| SWT03623 | 3 | 1 | SWITCH; LOW PRESSURE CUTOUT, 250 OPEN, ACTUATION PRESSURE 55 +/- 5, RESET PRESSURE 35 +/- 5 |
| THT03211 | 4 | 1 | THERMOSTAT; WITH CLAMP |
| CAP00072 | 5 | 1 | CAP; VALVE, SEAL, .25 FFL |
| COR00006 | 5 | 1 | CORE; VALVE PORT, .79 LENGTH, .206-36 UNS 2A THD |
| VAL01483 | 5 | 1 | VALVE; BODY, .44-20 THD X .25 ODS, STRAIGHT, BRASS, LESS CORE |
| COL28015 | 6 | 1 | COIL; ID MCHE, 3T |
| GRM00104 | 8 | 1 | GROMMET; .52 ID X .05 GRV |
| CLP00223 | 9 | 1 | CLIP; BULB |
| VAL12842 | 9 | 1 | VALVE; TEV HXE 3 KX200 R410A |
| CNT07725 | 10 | 1 | CONTROL; HIGH PRESSURE CUT-OFF W/LEADS |
| CMP01384 | 11 | 2 | CLIP; COIL, MOUNTING |
| GKT04925 | 13 | 1 | GASKET; 1.00W X 1.00T X 48.00L |
| PAD01507 | 14 | 1 | PAD; OD COIL, CURVED |
| PAD01506 | 15 | 1 | PAD; OD COIL, STRAIGHT |
| VAL01483 | 16 | 1 | VALVE; BODY, .44-20 THD X .25 ODS, STRAIGHT, BRASS, LESS CORE |
| PLU01298 | 17 | 1 | PLUG; SCROLL COMPRESSOR |
| DHY01511 | 18 | 1 | DRIER; FILTER, LIQUID LINE, 5/16 ODM INLET X 5/16 ODF OUTLET, 8 CU INCH |
| GRM00888 | 19 | 4 | GROMMET; ISOLATOR, COMPRESSOR, .438 ID X .160 GRV, .750 DIA X 1.625 OD, BLACK NEOPRENE RUBBER |
| NUT00355 | 19 | 4 | NUT; HEX, LOCK, 5/16IN.-18 |
| NUT00890 | 19 | 4 | NUT; PALLET, 5/16-18 UNC 2B THD. |
| BAYCCHT103A | 20 | 1 | KIT; CRANKCASE HEATER (BAYCCHT103A) |

MODEL NUMBER DESCRIPTION

75011962

REV.
A

Foundation Cooling and Gas/Electric
3-5 Tons

Example Model Number:

GBC060A4EMA01G104C100000AB00000

1 - - - 5 - - - 10 - - - 15 - - - 20 - - - 25 - - - 30 -

Digit 21 – Not Used

Digit 22 – Not Used

Digit 23 – Not Used

Digit 24 – Not Used

Digit 25 – System Monitoring Controls

- 0 = No Monitoring Controls
- A = Condensate Drain Pan Overflow Switch

Digit 26 – System Monitoring Controls

- 0 = No Economizer Fault Detection and Diagnostics (FDD)
- B = Economizer Fault Detection and Diagnostics (FDD) (7)

Model Number Notes

1. Available on Digit 1=E units only.
2. For 8=K, Unit will operate reliably at 400V.
3. Factory installed economizers only available in downflow configuration.
4. Some field set up required.
5. Applicable to Digit 1, G models only.
6. Must be ordered with Through the Base Electrical option.
7. Fault Detection and Diagnostics (FDD) is available on Low Leak Economizers only.

| | |
|--|---|
| <p>MODEL NUMBER DESCRIPTION 75011961 RP A</p> <p>Foundation Cooling and Gas/Electric 3-5 Tons</p> | |
| <p><i>Example Model Number:</i> EBC060A4ECA01G104A100000AB00000 <small>1 - - - - 5 - - - - - 10 - - - - - 15 - - - - - 20 - - - - - 25 - - - - - 30 - - - - -</small></p> | |
| <p>Digit 1 – Unit Type E = Packaged Cooling, Electric Heat G = Packaged Cooling, Gas Heat</p> <p>Digit 2 – Efficiency B = ASHRAE 90.1 - 2016</p> <p>Digit 3 – Airflow Configuration C = Convertible</p> <p>Digits 4,5,6 – Nominal Gross Cooling Capacity (MBh) 036 = 3 Tons 048 = 4 Tons 060 = 5 Tons</p> <p>Digit 7 – Major Design Sequence A</p> <p>Digit 8 – Voltage Selection (1,2) 3 = 208-230/60/3 4 = 460/60/3 W = 575/60/3 D = 380-415/50/3 K = 380/60/3</p> <p>Digit 9 – Unit Controls E = Electromechanical</p> <p>Digit 10 – Heating Capacity 0 = No Heat A = 5 kW Electric Heat B = 7.5 kW Electric Heat C = 10 kW Electric Heat D = 15 kW Electric Heat E = 20 kW Electric Heat F = 25 kW Electric Heat L = Gas Heat - Low M = Gas Heat - Medium X = Gas Heat, SS Ht Ex - Low M = Gas Heat, SS Ht Ex - Medium</p> <p>Digit 11 – Minor Design Sequence A = First Sequence</p> <p>Digits 12, 13 – Service Sequence ** = Factory Assigned</p> | <p>Digit 14 – Fresh Air Selection 0 = No Fresh Air A = Manual Outside Air Damper 0-50% B = Motorized Outside Air Damper 0-50% C = Economizer, Dry Bulb 0-100% without Barometric Relief (3) E = Economizer, Reference Enthalpy 0-100% without Barometric Relief (3) G = Economizer, Comparative Enthalpy 0-100% without Barometric Relief (3) J = Downflow Low Leak Economizer, Dry Bulb without Barometric Relief (3) K = Downflow Low Leak Economizer, Dry Bulb with Barometric Relief (3) L = Downflow Low Leak Economizer, Reference Enthalpy without Barometric Relief (3) M = Downflow Low Leak Economizer, Reference Enthalpy with Barometric Relief (3) N = Downflow Low Leak Economizer, (3) Comparative Enthalpy w/o Barometric Relief P = Downflow Low Leak Economizer, (3) Comparative Enthalpy with Barometric Relief</p> <p>Digits 15 – Supply Fan/Drive Type/Motor 0 = Standard Motor 1 = Oversized Motor</p> <p>Digit 16 – Not Used</p> <p>Digit 17 – Condenser Coil Protection 0 = Standard Coil 4 = CompleteCoat Condenser Coil</p> <p>Digit 18 – Through the Base Provisions 0 = No Through the Base Provisions A = Through the Base Electric B = Through the Base Gas Piping (4,5) C = Through the Base Electric and Gas Piping (4,5)</p> <p>Digit 19 – Disconnect Switch 0 = No Disconnect 1 = Unit Mounted Non-Fused Disconnect (6)</p> <p>Digit 20 – Not Used</p> |
| <p>1 of 2</p> | |

Parts List Number :EBCUP1

Model Number :EBC036A3E0B0001

| Part No. | Reference No. | Quantity | Description |
|----------------|---------------|----------|---|
| BAYBARO320A | * | 1 | KIT, BAROMETRIC RELIEF |
| BAYBARO321A | * | 1 | KIT, BAROMETRIC RELIEF, LLE W/FDD |
| BAYCCHT103A | * | 1 | KIT; CRANKCASE HEATER (BAYCCHT103A) |
| BAYCO2K300A | * | 1 | KIT; CO2 |
| BAYCO2K301A | * | 1 | KIT;CO2 |
| BAYCOSW320A | * | 1 | KIT; DRAIN PAN OVERFLOW SWITCH |
| BAYCURB320A | * | 1 | ASSEMBLY; ROOF CURB, 3-5 TON, SMALL FOUNDATION |
| BAYDMPR320A | * | 1 | KIT, MOTORIZED DAMPER |
| BAYDMPR321A | * | 1 | KIT, MANUAL DAMPER |
| BAYDSCF320A | * | 1 | UNIT MOUNTED DISCONNECT- COOLING ONLY, 100 AMP |
| BAYDSCF321A | * | 1 | UNIT MOUNTED DISCONNECT- ELECTRIC HEAT, 100 AMP |
| BAYECON320A | * | 1 | KIT, ECONOMIZER, DRY BULB |
| BAYECON353A | * | 1 | ACCESSORY; LOW LEAK ECONOMIZER, DRY BULB, DOWNFLOW W/FDD |
| BAYECON354A | * | 1 | ACCESSORY; LOW LEAK ECONOMIZER, DRY BULB, HORIZONTAL W/FDD |
| BAYENTH320A | * | 1 | KIT, REFERENCE ENTHALPY ECONOMIZER |
| BAYENTH321A | * | 1 | KIT, COMPARATIVE ENTHALPY ECONOMIZER |
| BAYENTH322A | * | 1 | KIT, REFERENCE ENTHALPY |
| BAYENTH323A | * | 1 | KIT, COMPARATIVE ENTHALPY, LLE W/FDD |
| BAYGARD320A | * | 1 | TOOL-LESS HAIL GUARD |
| BAYHSMT320A | * | 1 | 2 HP OVERSIZE MOTOR KIT (208-230/460V) |
| BAYHTFA305A | * | 1 | ELECTRIC HEAT KIT; 5KW 230V |
| BAYHTFA307A | * | 1 | ELECTRIC HEAT KIT; 7.5KW 230V |
| BAYHTFA310A | * | 1 | KIT; ELECTRIC HEATER, 10KW 240V |
| BAYHTFA315A | * | 1 | KIT; ELECTRIC HEATER, 15KW 240V |
| BAYHTFA320A | * | 1 | KIT; ELECTRIC HEATER, 20KW 240V |
| BAYLOAM330A | * | 1 | KIT, FROSTAT |
| BAYLOAM340A | * | 1 | LOW AMBIENT KIT |
| BAYPWRX320A | * | 1 | ACCESSORY; POWER EXHAUST, 3-5T, DF, 230V |
| BAYSTAT300A | * | 1 | ACCESSORY; BACNET THERMOSTAT |
| BAYTBUE320A | * | 1 | THROUGH THE BASE - ELEC. |
| TCONT402AN32DA | * | 1 | THERMOSTAT; 3 HEAT (GAS/ELEC), 2 COOL/HEAT PUMP DUAL FUEL (TCONT402AN32DAA) |
| TCONT802AS32DA | * | 1 | THERMOSTAT; PROGRAMMABLE 7-DAY, 3 HEAT/2 COOL (TCONT802AS32DAA) |
| TMR00140 | * | 1 | TIMER; ANTISHORT CYCLE (BAYASCT001) |