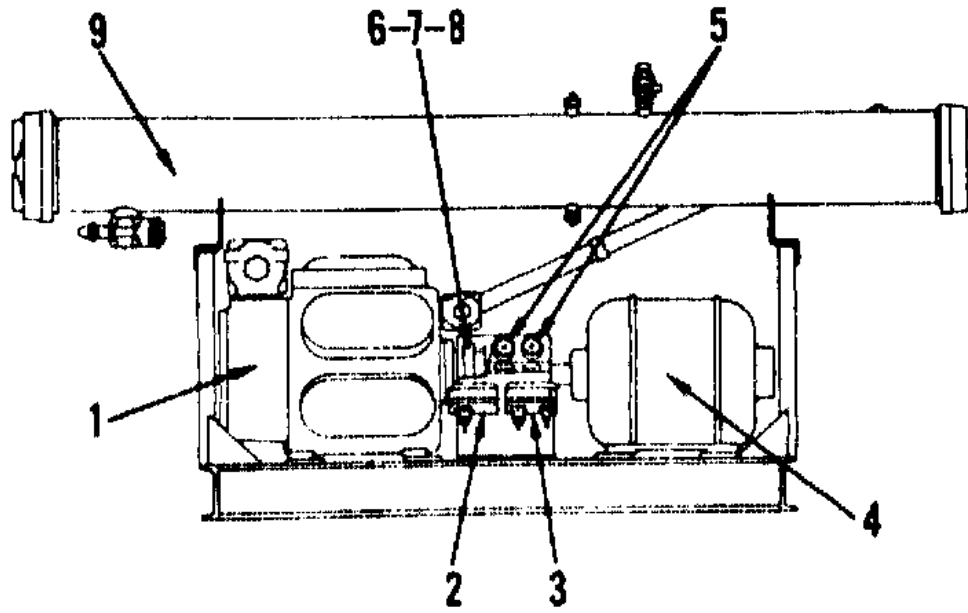


Part No.	Reference No.	Quantity	Description
000COM-6.H09	SEC 01		UNIT ASSEMBLY



Part No.	Reference No.	Quantity	Description
COM00149	1	1	COMPRESSOR; 3E5-40W
CNT00001	2	1	CONTROL;
CNT00002	3	1	CONTROL;
MOT06542	4	1	MOTOR;
GAG00005	5	3	GAUGE; VACUUM/PRESSURE, 30-200#
CPL00051	6	1	COUPLING; SHAFT, FLEX, 2.00 COMPRESSOR BORE, 1.88 MOTOR BORE, 5.44 OD X 6.94 L
WAS00007	7	1	WASHER; COUPLING
SCR00007	8	1	SCREW; CAP, HEX HD .62-18 X 1.75, ZINC PL, GR 5