

6

5

4

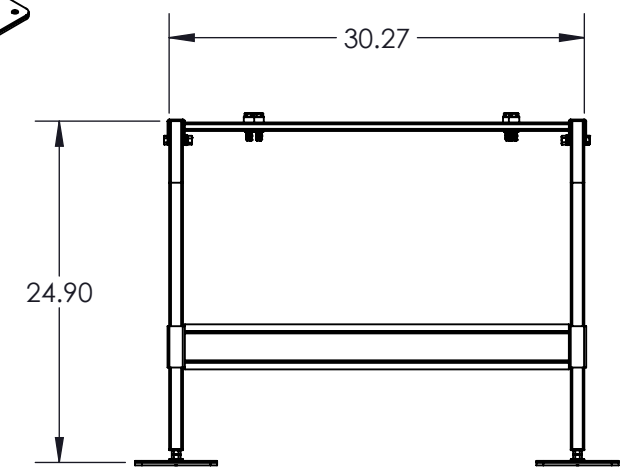
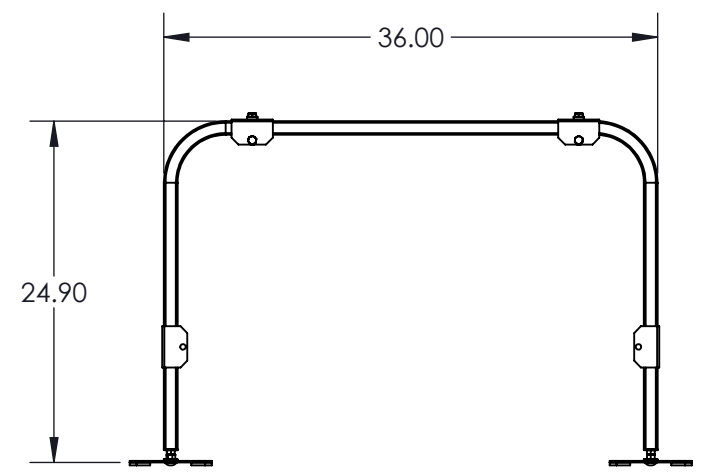
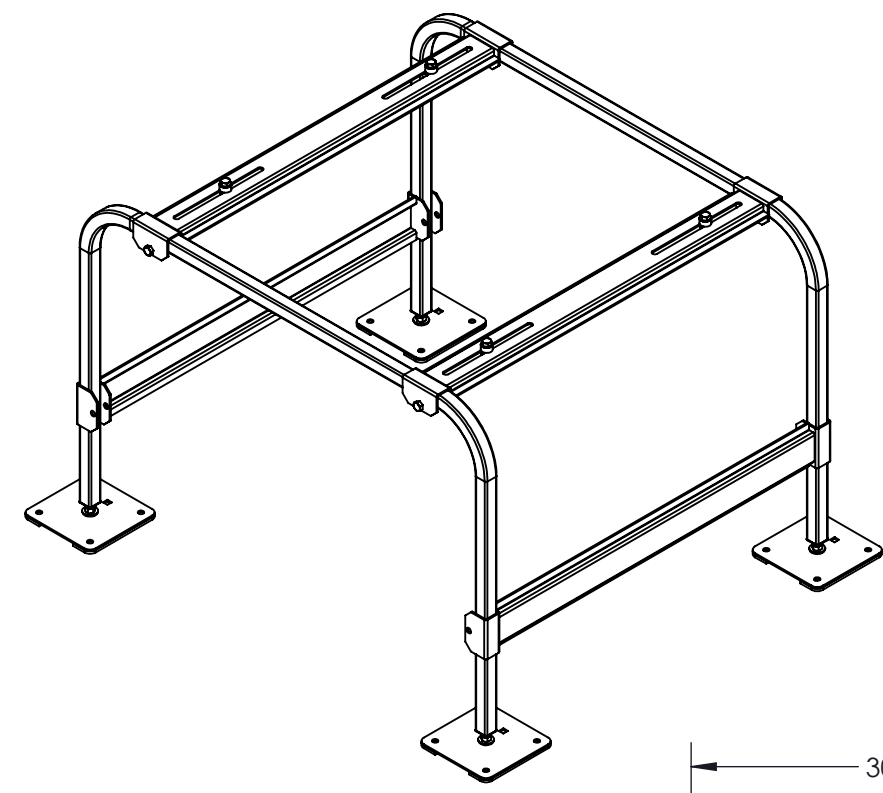
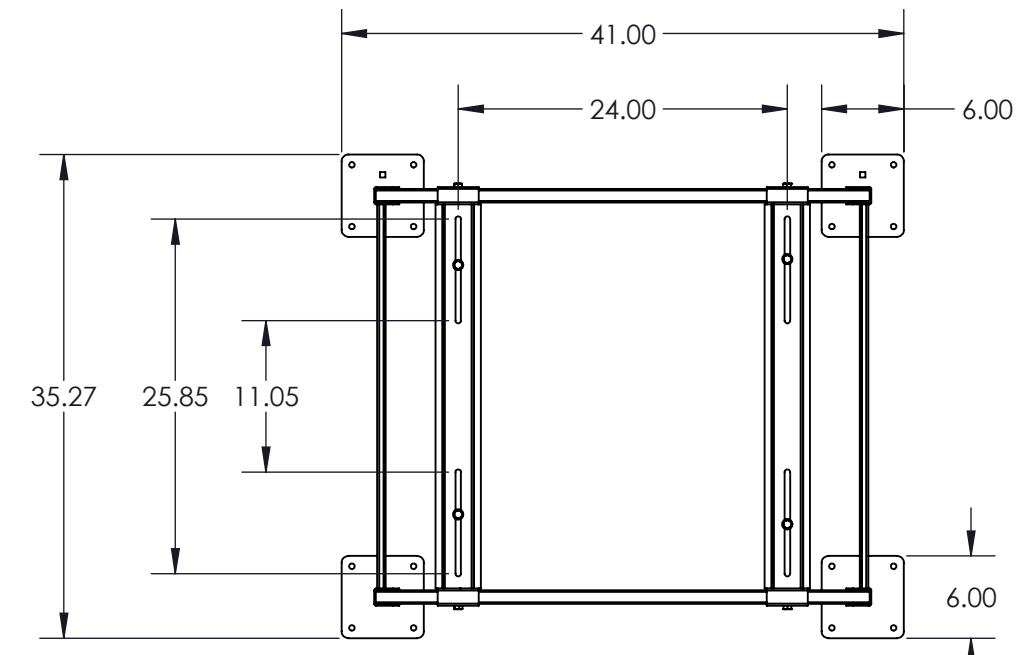
3

2

1

- NOTES:
 1. MATERIAL: 6063 ALUMINUM
 2. FINISH: POWDER COAT

REVISIONS				
REV.	DESCRIPTION	DRAWN BY	APPR BY	APPR DATE



ALL DRAWINGS AND WRITTEN MATERIAL CONTAINED HEREIN ARE THE PROPERTY OF DIVERSITECH CORP AND MAY NOT BE DUPLICATED OR DISCLOSED AT ANY TIME UNLESS APPROVED IN WRITING BY DIVERSITECH CORP

INTERPRET THIS DRAWING IN ACCORDANCE WITH ASME Y14.5-2009 DIMENSIONING AND TOLERANCING STANDARDS

UNLESS OTHERWISE SPECIFIED DIMENSIONS & TOLERANCES ARE IN INCHES		
DIM RANGE	0.02 - 0.12	TOLERANCE ±0.008
	0.12 - 0.24	±0.012
	0.24 - 1.18	±0.020
	1.18 - 4.72	±0.031
	4.72 - 15.75	±0.047
	15.75 - 39.4	±0.079
	39.4 +	±0.118

DEBURR ALL SHARP EDGES
 DO NOT SCALE

THIRD ANGLE PROJECTION

			NAME	DATE
			apadilla	29 Sep 23
DRAWN BY				
CAD APPR.				
DWG APPR.				

TITLE		SIZE
		B
DRAWING NUMBER		REVISION
QSMS2402-PAL		
SCALE: 1:1		SHEET 1 OF 1

6

5

4

3

2

1