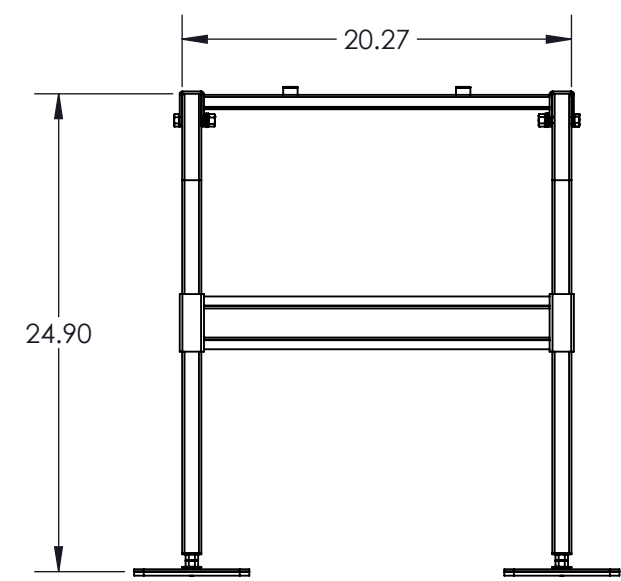
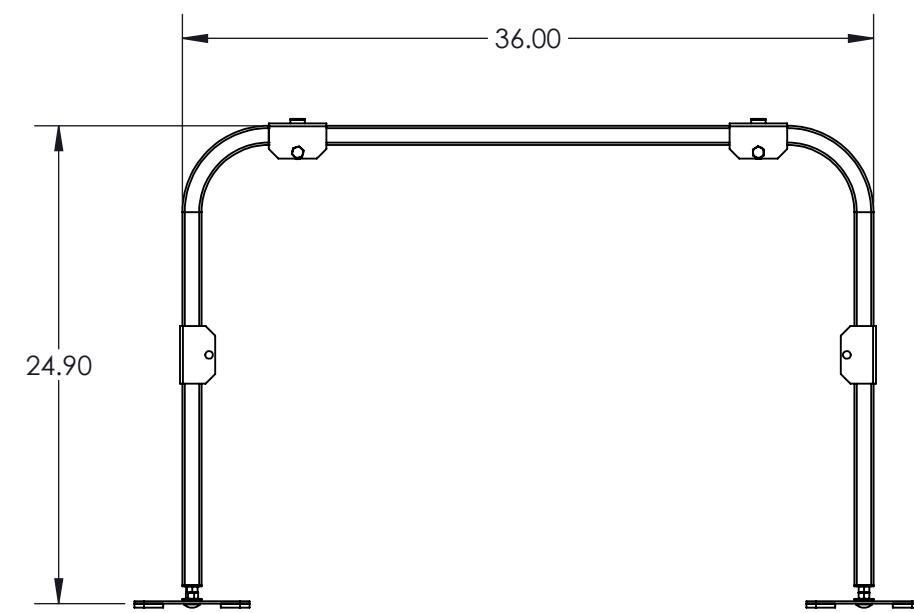
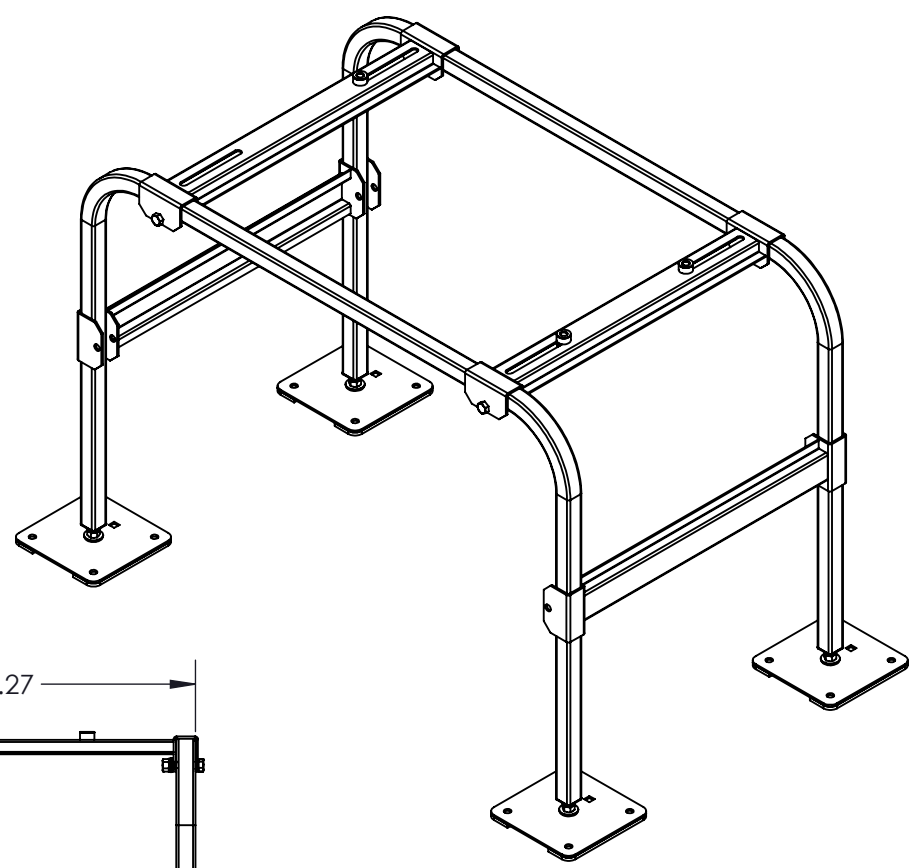
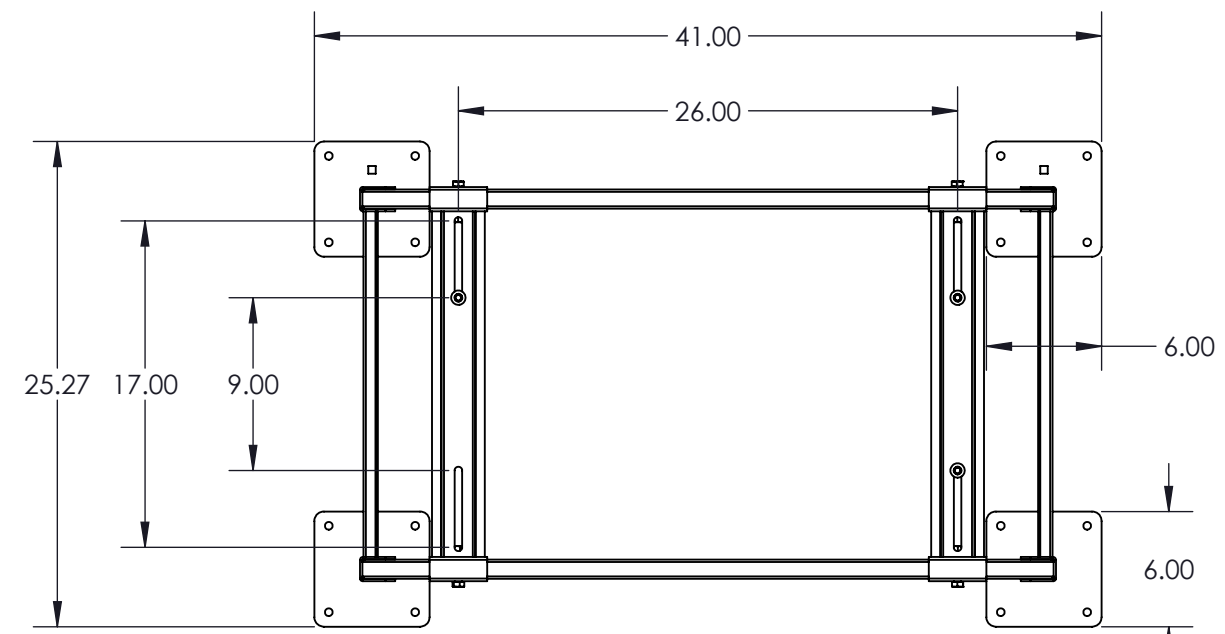


NOTES:
 1. MATERIAL: 6063 ALUMINUM
 2. FINISH: POWDER COAT

REVISIONS				
REV.	DESCRIPTION	DRAWN BY	APPR BY	APPR DATE



ALL DRAWINGS AND WRITTEN MATERIAL CONTAINED HEREIN ARE THE PROPERTY OF DIVERSITECH CORP AND MAY NOT BE DUPLICATED OR DISCLOSED AT ANY TIME UNLESS APPROVED IN WRITING BY DIVERSITECH CORP INTERPRET THIS DRAWING IN ACCORDANCE WITH ASME Y14.5-2009 DIMENSIONING AND TOLERANCING STANDARDS	UNLESS OTHERWISE SPECIFIED DIMENSIONS & TOLERANCES ARE IN INCHES		DEBURR ALL SHARP EDGES *DO NOT SCALE*			TITLE		SIZE
	DIM RANGE	TOLERANCE				0.02 - 0.12 ±0.008 0.12 - 0.24 ±0.012 0.24 - 1.18 ±0.020 1.18 - 4.72 ±0.031 4.72 - 15.75 ±0.047 15.75 - 39.4 ±0.079 39.4 + ±0.118	THIRD ANGLE PROJECTION 	
DRAWN BY: apadilla DATE: 20 Jul 22			QSMS2401-PAL					
CAD APPR. DWG APPR.			SCALE: 1:1		SHEET 1 OF 1			