

6

5

4

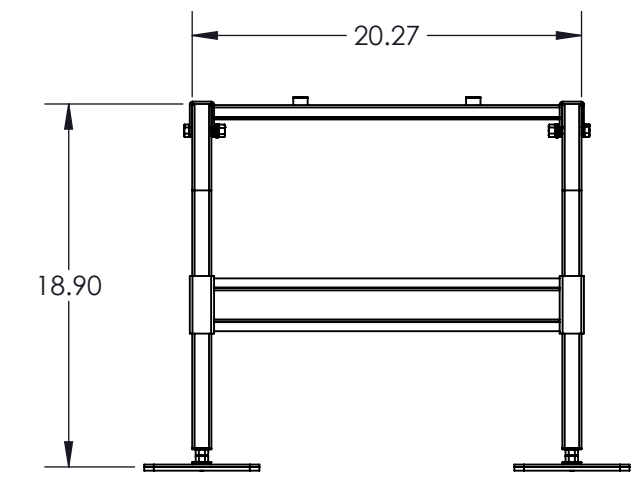
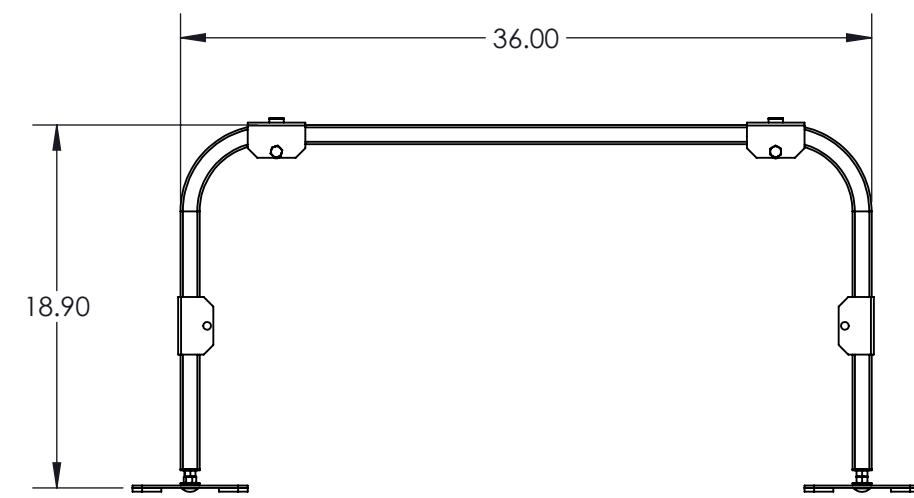
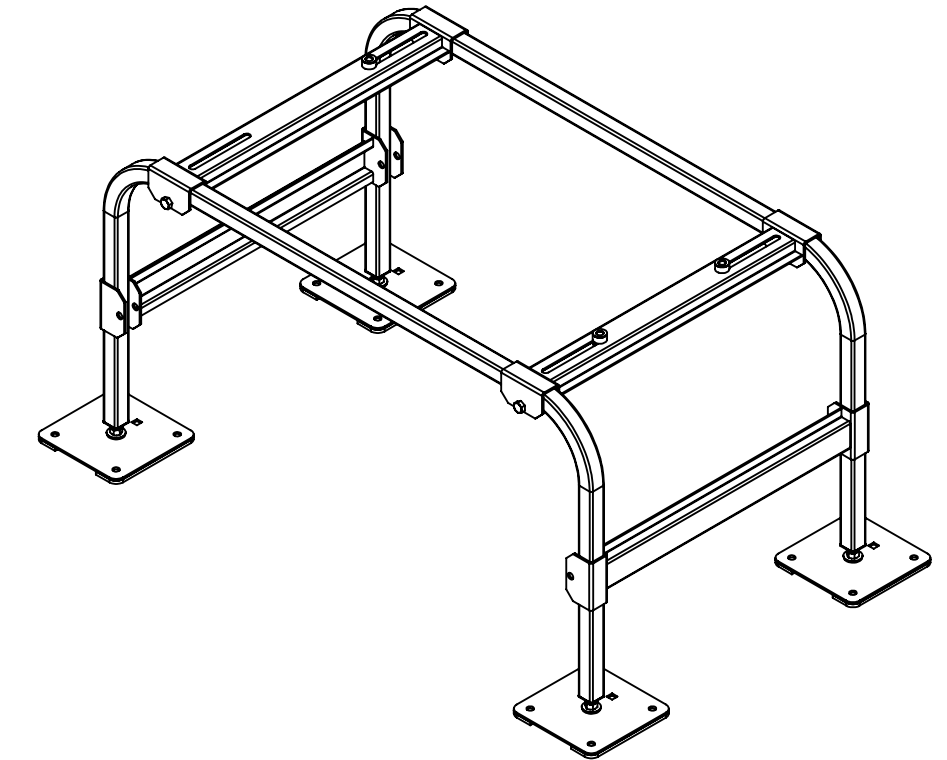
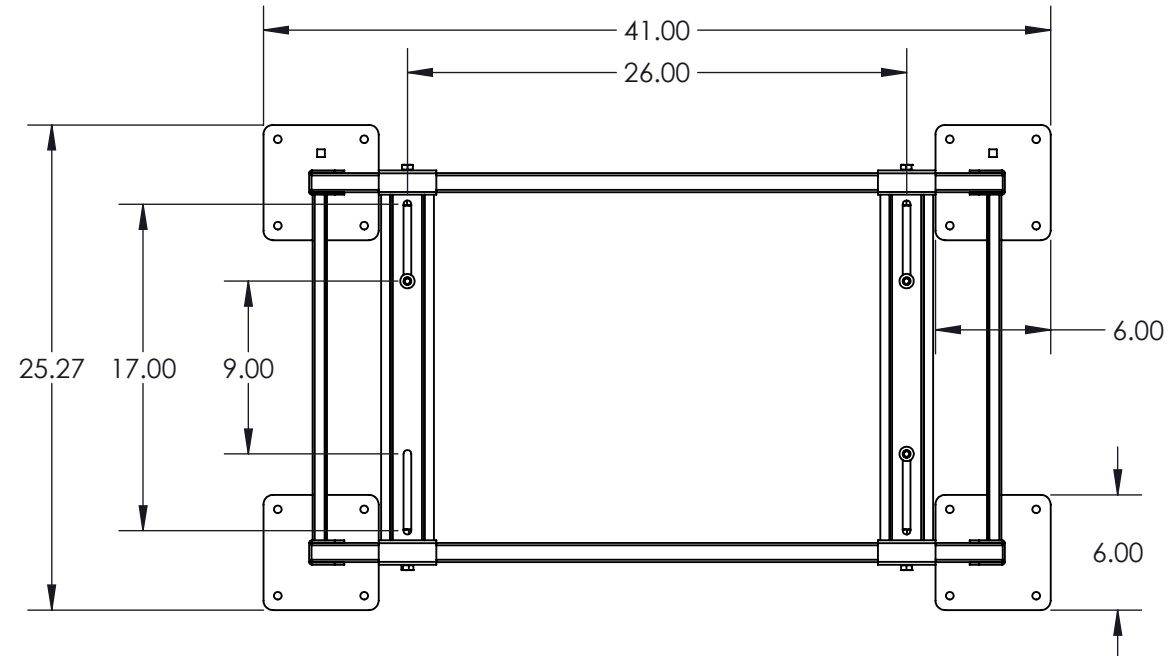
3

2

1

- NOTES:  
 1. MATERIAL: 6063 ALUMINUM  
 2. FINISH: POWDER COAT

REVISIONS				
REV.	DESCRIPTION	DRAWN BY	APPR BY	APPR DATE



ALL DRAWINGS AND WRITTEN MATERIAL CONTAINED HEREIN ARE THE PROPERTY OF DIVERSITECH CORP AND MAY NOT BE DUPLICATED OR DISCLOSED AT ANY TIME UNLESS APPROVED IN WRITING BY DIVERSITECH CORP

INTERPRET THIS DRAWING IN ACCORDANCE WITH ASME Y14.5-2009 DIMENSIONING AND TOLERANCING STANDARDS

UNLESS OTHERWISE SPECIFIED DIMENSIONS & TOLERANCES ARE IN INCHES		
DIM RANGE	0.02 - 0.12	±0.008
	0.12 - 0.24	±0.012
	0.24 - 1.18	±0.020
	1.18 - 4.72	±0.031
	4.72 - 15.75	±0.047
	15.75 - 39.4	±0.079
	39.4 +	±0.118

DEBURR ALL SHARP EDGES  
 \*DO NOT SCALE\*

THIRD ANGLE PROJECTION

<b>DIVERSITECH</b>			TITLE		SIZE
					<b>B</b>
	NAME	DATE	DRAWING NUMBER		REVISION
DRAWN BY	apadilla	20 Jul 22	<b>QSMS1801-PAL</b>		
CAD APPR.					
DWG APPR.					
			SCALE: 1:1	SHEET 1 OF 1	

6

5

4

3

2

1