



## Tub and Shower

MultiChoice™ valve body only with ½" female I.P.S. inlets/outlets

### Model No: R10000-IP

#### COMPLIES WITH:

- ASME A112.18.1 / CSA B125.1
- (Contact Delta Representative for State and/or Local Approvals)



#### SPECIFICATION:

- Forged brass body
- Back-to-Back installation capabilities
- Can be tested with air (200 psi) or water (300 psi) without valve using supplied test cap
- Square plasterguard allows for right angle cuts.
- For use with MultiChoice® Universal single or dual function trim.
- Cartridge ships with trim.
- 1/2" outlets and connections.
- MultiChoice™ valve body only with ½" female I.P.S. inlets/outlets-sold only in full cases of 12

#### OPERATION:

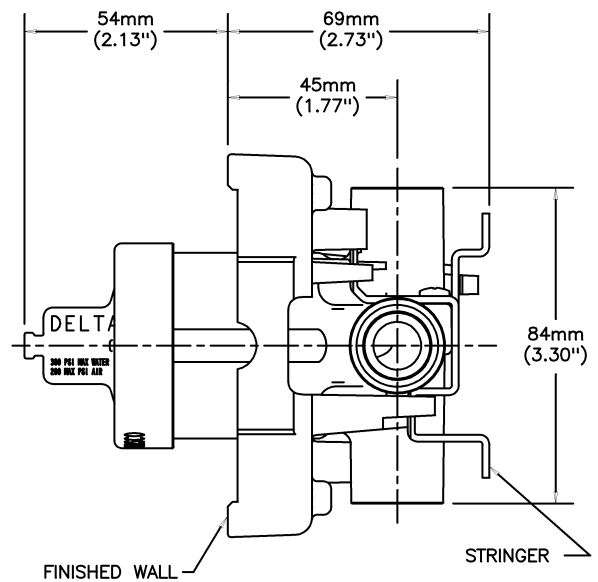
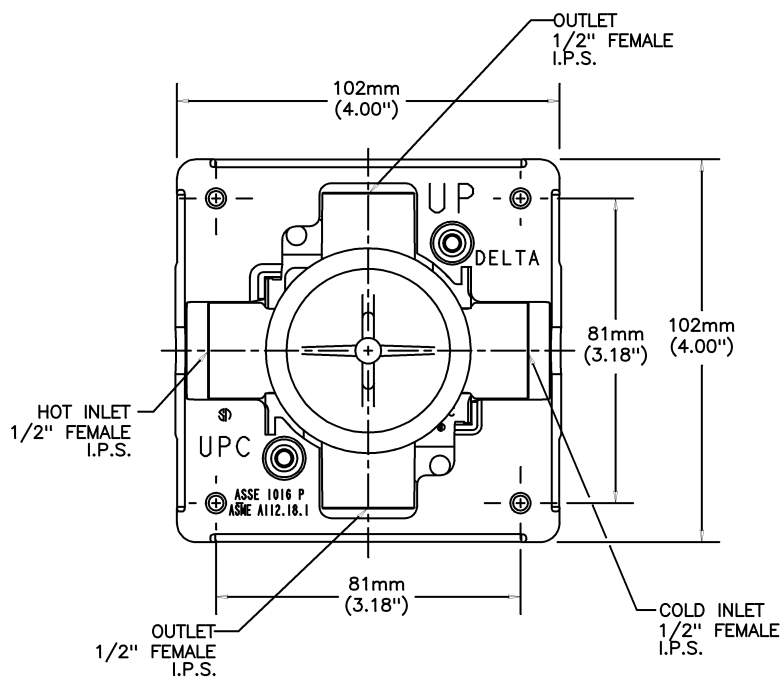
- Not Available

***(Dimensional drawing on following page)***

Delta reserves the right (1) to make changes to specifications and materials, and (2) to change or discontinue models, both without notice or obligation. Dimensions are for reference. Measurement may vary plus or minus 6mm(0.25"). Mounting locations are suggested only. Check with local codes for requirements in your area. This spec was produced July 26, 2016.

Delta Faucet Company - 55 East 111th St. - Indianapolis, Indiana, USA 46280 - (317) 848-1812  
Delta Faucet Canada - 395 Matheson Blvd E - Mississauga, Ontario, Canada L4Z 2H2 - (905) 712-3030

Model No: R10000-IP



Delta reserves the right (1) to make changes to specifications and materials, and (2) to change or discontinue models, both without notice or obligation. Dimensions are for reference. Measurement may vary plus or minus 6mm(0.25"). Mounting locations are suggested only. Check with local codes for requirements in your area. This spec was produced July 26, 2016.

Delta Faucet Company - 55 East 111th St. - Indianapolis, Indiana, USA 46280 - (317) 848-1812  
 Delta Faucet Canada - 395 Matheson Blvd E - Mississauga, Ontario, Canada L4Z 2H2 - (905) 712-3030