



1600T9 Series - Commercial - Electronic Washdown Urinal (with H₂Optics®)

1600T9003RI

Description

Solenoid Valve, Stop - Filtered Bypass, Urinal Fixture, Top Inlet Closet Mounting, 3/4" Spud Connection, Front Accessable Rough-In Box, Integrated Control Stop

Specification

- Valve: Solenoid
- Bypass: Stop - Filtered
- Fixture Type: Urinal
- Closet Mounting: Top Inlet, Urinal
- Fixture Connection: Top Spud
- Spud Coupling: 3/4"
- Rough-In Box: Front Accessable
- Control Stop: Integrated

Features

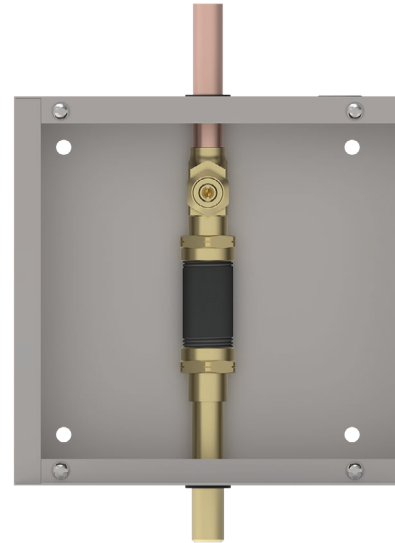
- Recessed mounting box
- Slow closing solenoid valve
- ROUGH-IN MODELS - Supplied as flush valve, inlet stop and wall box

Required Accessories

- **060704A** - 120 to 24 VAC Class 2 20 VA - (Transformer for 5 units)
- **060771A** - 120 to 24 VAC Class 2 40 VA - (Transformer for up to 10 Units)

Optional Accessories

- **060680A** - 4' Solenoid extension wire



Complies With

- ASSE 1037/ASME A112.1037/ CSA B125.37

(Contact Delta Representative for State and/or Local Approvals)

Valve Operating Pressure

- Recommended water supply Minimum flowing pressure: 25 psi (172 kPa) Minimum flow rate – 8 gpm (30 L/min)

Notes

- Trim - 1600T9003TR (*ordered separately*)

WaterSense® is a registered trademark of the U.S. Environmental Protection Agency.

Flow rates at 60 psi (414 kPa).

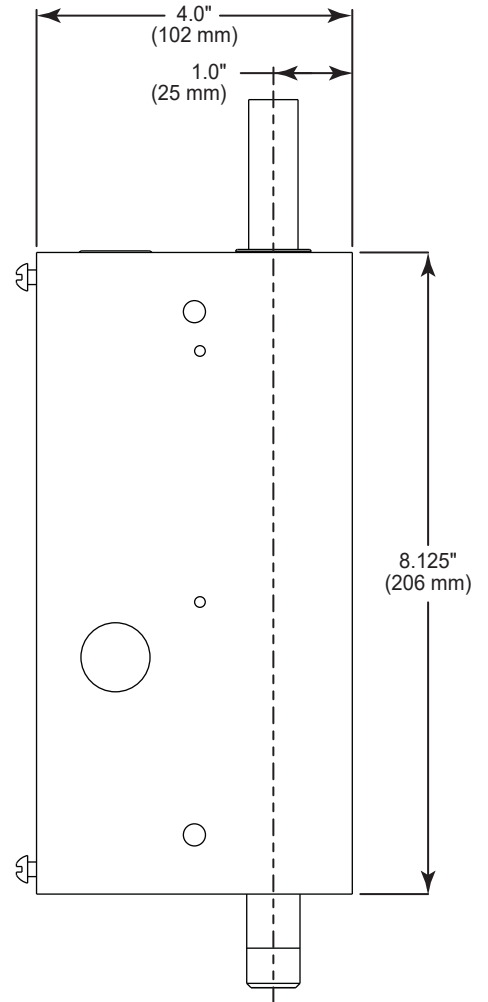
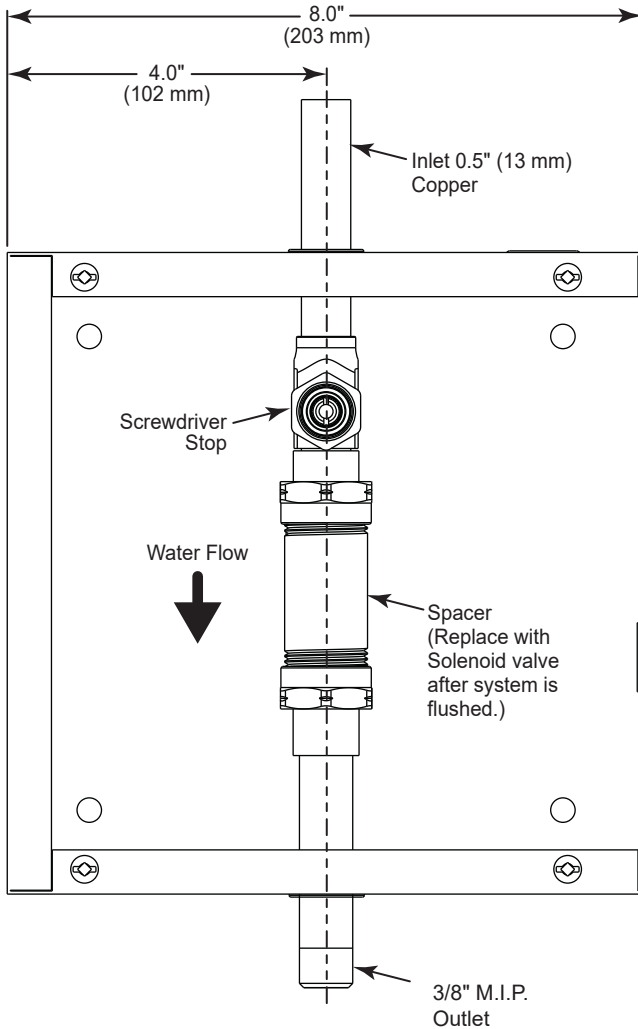
Delta Faucet Company reserves the right (1) to make changes in specifications and materials, and (2) to change or discontinue models, both without notice or obligation. Dimensions are for reference. Mounting locations are suggested only. Check with local codes for requirements in your area.

Masco Canada Limited
350 South Edgeware Rd, St Thomas, Ontario, Canada N5P 4L1
1-800-387-8277

1600T9003RI

This specification sheet was produced on July 12, 2023.

1600T9003RI



NOTICE

- Dimensional Units: Inch (mm)
- Measurements may vary $\pm 0.25"$ (6 mm)

WaterSense® is a registered trademark of the U.S. Environmental Protection Agency.

Flow rates at 60 psi (414 kPa).

Delta Faucet Company reserves the right (1) to make changes in specifications and materials, and (2) to change or discontinue models, both without notice or obligation. Dimensions are for reference. Mounting locations are suggested only. Check with local codes for requirements in your area.

Masco Canada Limited
350 South Edgeware Rd, St Thomas, Ontario, Canada N5P 4L1
1-800-387-8277

1600T9003RI

This specification sheet was produced on July 12, 2023.