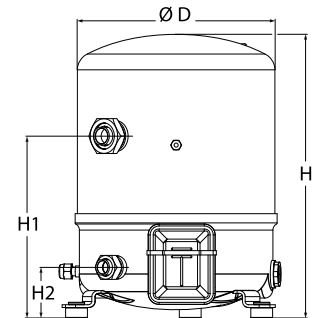
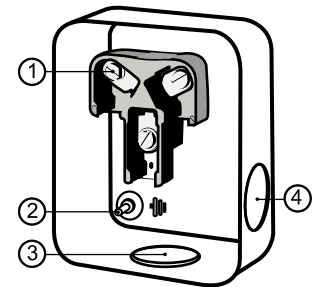


General Characteristics

Model number (on compressor nameplate)		MTZ64HM1BVE
Code number for Singlepack*		MTZ64-1VI
Code number for Industrial pack**		MTZ64-1VM
Drawing number		8502011f
Suction and discharge connections		Rotolock
Suction connection		1-3/4" Rotolock
Discharge connection		1-1/4" Rotolock
Suction connection with supplied sleeve		7/8" ODF
Discharge connection with supplied sleeve		3/4" ODF
Oil sight glass		Threaded
Oil equalization connection		3/8" flare SAE
Oil drain connection		None
LP gauge port		Schrader
IPR valve		435 psi / 115 psi
Cylinders		2
Swept volume		6.57 in ³ /rev
Displacement @ Nominal speed		799 cfh @ 3500 rpm
Net weight		82 lbs
Oil charge		61 oz, POE - 175PZ
Maximum system test pressure Low Side / High side		363 psi / 435 psi
Maximum differential test pressure		435 psi
Maximum number of starts per hour		12
Refrigerant charge limit		11 lbs
Approved refrigerants		R404A,R134a,R407A/C/F,R448A,R449A,R452A,R513A

Dimensions


D=11.3 inch, H=16.3 inch,
H1=10.4 inch, H2=2.9 inch, H3=- inch

Terminal box


IP54 (with cable gland)

- 1: Screw connectors 10-32 UNF x 9.5
- 2: Earth M4-12
- 3: Knock-out Ø 29 mm (1.14")
- 4: Knock-out Ø 25.5 mm (1.00")

Electrical Characteristics

Nominal voltage	208-230V/1/60Hz
Voltage range	187-253 V
Winding resistance (main / start) at 25°C	0.33 Ω / 2.14 Ω
Run capacitors A + C	30 uF + 25 uF
Start capacitor B	235 uF
Start relay	RVA-6AMKL
Maximum Continuous Current (MCC)	46 A
Locked Rotor Amps (LRA)	143 A
Motor protection	Internal overload protector

Recommended Installation torques

Oil sight glass	37 ft.lbs
Power connections / Earth connection	2 ft.lbs / 1 ft.lbs
Mounting bolts	11 ft.lbs

Parts shipped with compressor

Mounting kit with grommets, bolts, nuts, sleeves and washers
Suction & Discharge solder sleeves, rotolock nuts and gaskets (shipped with rotolock version only)
Initial oil charge
Installation instructions

Approvals : CE certified, UL certified (file SA6873), -

*Singlepack: Compressor in cardboard box

**Industrial pack: 6 Unboxed compressors on pallet (order per multiples of 6)

Rotolock accessories, suction side

Code no.

Solder sleeve, P07 (1-3/4" Rotolock, 7/8" ODF)	8153013
Rotolock valve, V07 (1-3/4" Rotolock, 7/8" ODF)	8168032
Gasket, 1-3/4"	8156132

Rotolock accessories, discharge side

Code no.

Solder sleeve, P04 (1-1/4" Rotolock, 3/4" ODF)	8153008
Rotolock valve, V04 (1-1/4" Rotolock, 3/4" ODF)	8168029
Gasket, 1-1/4"	8156131

Rotolock accessories, sets

Code no.

Valve set, V07 (1-3/4"~7/8"), V04 (1-1/4"~3/4")	7703006
Gasket set, 1", 1-1/4", 1-3/4", OSG gaskets black & white	8156009

Oil / lubricants

Code no.

POE lubricant, 175PZ, 1 liter can	120Z0638
POE lubricant, 175PZ, 2.5 liter can	120Z0639

Crankcase heaters

Code no.

PTC heater 27W, CE mark, UL	120Z0459
Belt type crankcase heater, 65 W, 230 V, CE mark, UL	7773107

Miscellaneous accessories

Code no.

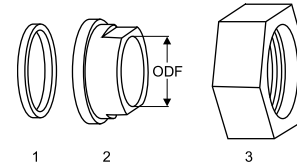
PSC starting kit, 30 µF, 25 µF	7701037
CSR starting kit, 30 µF, 25 µF, 98 µF, 140 µF	7701044
Acoustic hood for 2 cylinder compressor	120Z0472
Oil equalisation nut	8153127

Spare parts

Code no.

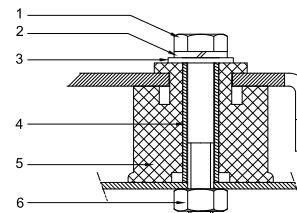
Mounting kit for 1 and 2 cylinder compressor, including 3 grommets, 3 bolts	8156001
Oil sight glass with gaskets (black & white)	8156019
Gasket for oil sight glass (black chloroprene)	8156145
Service kit for terminal box 96 x 115 mm, including 1 cover, 1 clamp	8156135
T block connector 2.1" x 2.3"	8173230

Gaskets, sleeves and nuts



- 1: Gasket
- 2: Solder sleeve
- 3: Rotolock nut

Mounting kit



- 1: Bolt (3x)
- 2: Lock washer (3x)
- 3: Flat washer (3x)
- 4: Sleeve (3x)
- 5: Grommet (3x)
- 6: Nut (3x)

Danfoss can accept no responsibility for possible errors in catalogues, brochures and other printed material. Danfoss reserves the right to alter its products without notice. This also applies to products already on order provided that such alternations can be made without subsequential changes being necessary in specifications already agreed. All trademarks in this material are property of the respective companies. Danfoss, the Danfoss logotype and Maneurop are trademarks of Danfoss A/S. All rights reserved.

Performance data at 60 Hz, ARI rating conditions
R134a

Cond. temp. in °F (tc)	Evaporating temperature in °F (to)							
	-10	0	10	20	30	40	50	60

Cooling capacity in Btu/h

100	8 628	13 079	18 875	26 295	35 618	47 123	61 086	77 783	87 242
110	7 329	11 478	16 864	23 769	32 475	43 259	56 400	72 173	81 134
120	6 097	9 945	14 923	21 315	29 404	39 469	51 790	66 644	75 107
130	-	-	13 055	18 936	26 409	35 758	47 262	61 200	69 168
140	-	-	-	16 635	23 496	32 131	42 822	55 849	63 326
150	-	-	-	-	-	28 593	38 477	50 601	57 591
160	-	-	-	-	-	-	34 238	45 470	51 980
165	-	-	-	-	-	-	32 162	42 955	49 228

Power input in W

100	1 815	2 253	2 642	2 981	3 267	3 499	3 675	3 792	3 829
110	1 754	2 247	2 691	3 086	3 429	3 718	3 952	4 128	4 195
120	1 663	2 216	2 721	3 177	3 583	3 935	4 233	4 474	4 572
130	-	-	2 726	3 250	3 723	4 145	4 512	4 823	4 957
140	-	-	-	3 298	3 845	4 341	4 783	5 170	5 342
150	-	-	-	-	-	4 518	5 041	5 510	5 723
160	-	-	-	-	-	-	5 281	5 837	6 094
165	-	-	-	-	-	-	5 392	5 993	6 274

Current consumption in A

100	17.91	18.22	18.69	19.28	19.92	20.57	21.18	21.70	21.91
110	17.57	18.09	18.74	19.47	20.24	21.00	21.69	22.26	22.49
120	17.07	17.84	18.73	19.68	20.64	21.56	22.39	23.08	23.36
130	-	-	18.62	19.84	21.05	22.19	23.22	24.09	24.44
140	-	-	-	19.88	21.40	22.83	24.12	25.22	25.68
150	-	-	-	-	-	23.41	25.01	26.41	27.01
160	-	-	-	-	-	-	25.85	27.60	28.37
165	-	-	-	-	-	-	26.23	28.18	29.04

Mass flow in lbs/h

100	132	196	277	376	497	643	818	1 023	1 138
110	119	182	260	358	477	621	793	995	1 109
120	105	166	243	339	456	597	767	967	1 079
130	-	-	226	319	434	573	740	937	1 048
140	-	-	-	299	412	548	713	907	1 017
150	-	-	-	-	-	523	684	876	984
160	-	-	-	-	-	-	655	844	950
165	-	-	-	-	-	-	640	828	933

Energy Efficiency Ratio (E.E.R.)

100	4.75	5.80	7.14	8.82	10.90	13.47	16.62	20.51	22.79
110	4.18	5.11	6.27	7.70	9.47	11.64	14.27	17.48	19.34
120	3.67	4.49	5.48	6.71	8.21	10.03	12.24	14.90	16.43
130	-	-	4.79	5.83	7.09	8.63	10.48	12.69	13.95
140	-	-	-	5.04	6.11	7.40	8.95	10.80	11.85
150	-	-	-	-	-	6.33	7.63	9.18	10.06
160	-	-	-	-	-	-	6.48	7.79	8.53
165	-	-	-	-	-	-	5.96	7.17	7.85

Nominal performance at to = 45 °F, tc = 130 °F

Cooling capacity	41 223	Btu/h	Current consumption	22.72	A
Power input	4 335	W	Mass flow	653	lbs/h
E.E.R.	9.51				

Pressure switch settings

Maximum HP switch setting	293	psi(g)
Minimum LP switch setting	1	psi(g)
LP pump down setting	6	psi(g)

Danfoss can accept no responsibility for possible errors in catalogues, brochures and other printed material. Danfoss reserves the right to alter its products without notice. This also applies to products already on order provided that such alternations can be made without subsequential changes being necessary in specifications already agreed. All trademarks in this material are property of the respective companies. Danfoss, the Danfoss logotype and Maneurop are trademarks of Danfoss A/S. All rights reserved.

T₀ : Evaporating temperature at dew point
T_C : Condensing temperature at dew point
Rating conditions : Superheat = 20 °F , Subcooling = 15 °F
Tolerance according EN12900

Sound power data

Sound power level	0	dB(A)
With accoustic hood	0	dB(A)

Performance data at 60 Hz, ARI rating conditions
R404A

Cond. temp. in °F (tc)	Evaporating temperature in °F (to)							
	-20	-10	0	10	20	30	40	45

Cooling capacity in Btu/h

90	15 398	21 962	30 064	39 923	51 758	65 789	82 235	91 433	101 316
100	13 051	19 150	26 643	35 751	46 693	59 689	74 957	83 512	92 718
110	10 696	16 286	23 128	31 443	41 449	53 366	67 413	75 305	83 811
120	8 364	13 402	19 551	27 029	36 056	46 852	59 635	66 841	74 626
130	-	10 532	15 943	22 542	30 547	40 179	51 656	58 155	65 197
140	-	7 706	12 338	18 014	24 955	33 379	43 506	49 277	55 555

Power input in W

90	3 137	3 670	4 138	4 555	4 933	5 285	5 623	5 791	5 960
100	3 118	3 736	4 282	4 767	5 206	5 609	5 990	6 177	6 363
110	3 033	3 748	4 381	4 946	5 455	5 921	6 357	6 567	6 774
120	2 872	3 694	4 425	5 080	5 671	6 210	6 710	6 950	7 184
130	-	3 562	4 403	5 159	5 842	6 465	7 040	7 314	7 581
140	-	3 341	4 302	5 170	5 956	6 673	7 335	7 649	7 954

Current consumption in A

90	17.41	19.36	21.26	23.07	24.77	26.32	27.71	28.33	28.89
100	17.41	19.56	21.64	23.61	25.45	27.14	28.63	29.30	29.91
110	17.20	19.63	21.96	24.17	26.24	28.13	29.81	30.56	31.25
120	16.70	19.48	22.14	24.67	27.04	29.21	31.15	32.03	32.85
130	-	19.02	22.10	25.02	27.77	30.29	32.58	33.63	34.60
140	-	18.17	21.74	25.14	28.33	31.30	34.00	35.25	36.42

Mass flow in lbs/h

90	319	442	588	758	957	1 186	1 449	1 595	1 750
100	294	418	563	733	929	1 156	1 417	1 561	1 714
110	265	389	534	702	897	1 121	1 379	1 521	1 672
120	231	355	499	666	859	1 081	1 335	1 475	1 625
130	-	316	459	625	815	1 034	1 285	1 423	1 570
140	-	272	414	577	765	981	1 228	1 364	1 509

Energy Efficiency Ratio (E.E.R.)

90	4.91	5.98	7.26	8.76	10.49	12.45	14.62	15.79	17.00
100	4.19	5.13	6.22	7.50	8.97	10.64	12.51	13.52	14.57
110	3.53	4.35	5.28	6.36	7.60	9.01	10.61	11.47	12.37
120	2.91	3.63	4.42	5.32	6.36	7.54	8.89	9.62	10.39
130	-	2.96	3.62	4.37	5.23	6.22	7.34	7.95	8.60
140	-	2.31	2.87	3.48	4.19	5.00	5.93	6.44	6.98

Nominal performance at to = 20 °F, tc = 120 °F

Cooling capacity	36 056	Btu/h	Current consumption	27.04	A
Power input	5 671	W	Mass flow	859	lbs/h
E.E.R.	6.36				

Pressure switch settings

Maximum HP switch setting	402	psi(g)
Minimum LP switch setting	15	psi(g)
LP pump down setting	19	psi(g)

T 0 : Evaporating temperature at dew point

T C : Condensing temperature at dew point

Rating conditions : Superheat = 20 °F , Subcooling = 0 °F

Tolerance according EN12900

Sound power data

Sound power level	84	dB(A)
With acoustic hood	78	dB(A)

Performance data at 60 Hz, ARI rating conditions
R407A

Cond. temp. in °F (tc)	Evaporating temperature in °F (to)								
	-20	-10	0	10	20	30	40	45	50

Cooling capacity in Btu/h

90	10 956	16 884	24 435	33 878	45 480	59 508	76 231	85 686	95 914
100	9 156	14 698	21 746	30 570	41 438	54 618	70 376	79 306	88 980
110	7 354	12 475	18 988	27 160	37 261	49 558	64 318	72 706	81 809
120	-	10 267	16 210	23 697	32 996	44 377	58 106	65 935	74 451
130	-	-	13 461	20 229	28 694	39 125	51 789	59 043	66 955
140	-	-	-	16 806	24 403	33 851	45 417	52 078	59 370

Power input in W

90	2 359	2 904	3 418	3 890	4 310	4 670	4 960	5 076	5 171
100	2 302	2 910	3 489	4 031	4 526	4 964	5 337	5 495	5 634
110	2 208	2 884	3 535	4 152	4 726	5 248	5 708	5 912	6 097
120	-	2 822	3 550	4 248	4 907	5 517	6 070	6 322	6 556
130	-	-	3 531	4 315	5 064	5 769	6 420	6 722	7 008
140	-	-	-	4 350	5 195	5 999	6 753	7 109	7 448

Current consumption in A

90	16.32	17.57	18.97	20.42	21.79	22.96	23.81	24.08	24.23
100	16.39	17.68	19.18	20.77	22.34	23.76	24.91	25.35	25.68
110	16.34	17.71	19.33	21.10	22.90	24.60	26.09	26.72	27.25
120	-	17.62	19.41	21.38	23.44	25.46	27.31	28.14	28.89
130	-	-	19.37	21.59	23.94	26.30	28.55	29.60	30.57
140	-	-	-	21.68	24.36	27.09	29.77	31.06	32.28

Mass flow in lbs/h

90	170	258	365	495	651	836	1 053	1 175	1 306
100	151	238	344	473	628	811	1 027	1 148	1 278
110	130	215	320	447	600	782	996	1 116	1 245
120	-	191	293	418	569	749	961	1 079	1 207
130	-	-	264	386	535	712	920	1 038	1 164
140	-	-	-	351	496	670	876	991	1 116

Energy Efficiency Ratio (E.E.R.)

90	4.65	5.81	7.15	8.71	10.55	12.74	15.37	16.88	18.55
100	3.98	5.05	6.23	7.58	9.16	11.00	13.19	14.43	15.79
110	3.33	4.33	5.37	6.54	7.88	9.44	11.27	12.30	13.42
120	-	3.64	4.57	5.58	6.72	8.04	9.57	10.43	11.36
130	-	-	3.81	4.69	5.67	6.78	8.07	8.78	9.55
140	-	-	-	3.86	4.70	5.64	6.73	7.33	7.97

Nominal performance at to = 20 °F, tc = 120 °F

Cooling capacity	32 996	Btu/h	Current consumption	23.44	A
Power input	4 907	W	Mass flow	569	lbs/h
E.E.R.	6.72				

Pressure switch settings

Maximum HP switch setting	374	psi(g)
Minimum LP switch setting	13	psi(g)
LP pump down setting	17	psi(g)

T 0 : Evaporating temperature at dew point

T C : Condensing temperature at dew point

Rating conditions : Superheat = 20 °F , Subcooling = 0 °F

Tolerance according EN12900

Sound power data

Sound power level	82	dB(A)
With acoustic hood	76	dB(A)

Performance data at 60 Hz, ARI rating conditions
R407C

Cond. temp. in °F (tc)	Evaporating temperature in °F (to)							
	10	20	25	30	35	40	45	50

Cooling capacity in Btu/h

100	30 318	41 118	47 269	53 966	61 244	69 135	77 675	86 898	96 837
110	27 840	38 126	43 961	50 302	57 185	64 642	72 708	81 417	90 804
120	-	34 929	40 416	46 370	52 826	59 817	67 377	75 542	84 344
130	-	31 602	36 709	42 244	48 241	54 734	61 757	69 345	77 531
140	-	-	32 913	37 998	43 504	49 468	55 922	62 901	70 439
150	-	-	-	-	38 690	44 092	49 945	56 284	63 142

Power input in W

100	3 698	4 080	4 250	4 410	4 562	4 710	4 855	5 000	5 149
110	3 881	4 350	4 558	4 752	4 935	5 109	5 277	5 442	5 606
120	-	4 587	4 842	5 080	5 302	5 512	5 712	5 905	6 094
130	-	4 778	5 089	5 379	5 650	5 905	6 147	6 377	6 600
140	-	-	5 286	5 637	5 966	6 275	6 567	6 844	7 110
150	-	-	-	-	6 236	6 609	6 960	7 293	7 610

Current consumption in A

100	20.02	21.20	21.72	22.21	22.67	23.11	23.54	23.97	24.40
110	20.73	22.33	23.05	23.72	24.36	24.97	25.56	26.14	26.72
120	-	23.27	24.20	25.08	25.92	26.72	27.49	28.24	28.97
130	-	23.99	25.17	26.27	27.33	28.33	29.30	30.24	31.15
140	-	-	25.92	27.27	28.56	29.80	30.98	32.13	33.24
150	-	-	-	-	29.61	31.09	32.52	33.89	35.22

Mass flow in lbs/h

100	399	531	606	686	772	864	964	1 070	1 184
110	385	518	592	672	757	849	947	1 052	1 165
120	-	501	575	653	738	828	925	1 029	1 139
130	-	482	554	631	714	803	898	999	1 108
140	-	-	530	606	687	773	866	965	1 071
150	-	-	-	-	656	740	830	926	1 028

Energy Efficiency Ratio (E.E.R.)

100	8.20	10.08	11.12	12.24	13.42	14.68	16.00	17.38	18.81
110	7.17	8.76	9.64	10.59	11.59	12.65	13.78	14.96	16.20
120	-	7.61	8.35	9.13	9.96	10.85	11.80	12.79	13.84
130	-	6.61	7.21	7.85	8.54	9.27	10.05	10.87	11.75
140	-	-	6.23	6.74	7.29	7.88	8.52	9.19	9.91
150	-	-	-	-	6.20	6.67	7.18	7.72	8.30

Nominal performance at to = 45 °F, tc = 130 °F

Cooling capacity	61 757	Btu/h	Current consumption	29.30	A
Power input	6 147	W	Mass flow	898	lbs/h
E.E.R.	10.05				

Pressure switch settings

Maximum HP switch setting	426	psi(g)
Minimum LP switch setting	20	psi(g)
LP pump down setting	25	psi(g)

T 0 : Evaporating temperature at dew point

T C : Condensing temperature at dew point

Rating conditions : Superheat = 20 °F , Subcooling = 15 °F

Tolerance according EN12900

Sound power data

Sound power level	86	dB(A)
With acoustic hood	80	dB(A)

Performance data at 60 Hz, ARI rating conditions
R407F

Cond. temp. in °F (tc)	Evaporating temperature in °F (to)								
	-20	-10	0	10	20	30	40	45	50

Cooling capacity in Btu/h

90	-	18 227	26 563	37 015	49 897	65 524	84 208	94 796	106 265
100	-	15 559	23 102	32 566	44 265	58 515	75 629	85 358	95 921
110	-	13 309	20 195	28 807	39 460	52 470	68 150	77 090	86 815
120	-	-	17 729	25 626	35 371	47 277	61 660	69 878	78 834
130	-	-	-	22 910	31 883	42 823	56 045	63 611	71 866
140	-	-	-	-	-	-	-	-	-

Power input in W

90	-	3 075	3 608	4 103	4 532	4 865	5 074	5 123	5 131
100	-	3 094	3 684	4 255	4 777	5 223	5 565	5 687	5 772
110	-	3 121	3 755	4 388	4 993	5 540	6 001	6 190	6 347
120	-	-	3 844	4 528	5 202	5 837	6 405	6 655	6 878
130	-	-	-	4 696	5 427	6 138	6 801	7 106	7 388
140	-	-	-	-	-	-	-	-	-

Current consumption in A

90	-	17.74	19.25	20.81	22.26	23.44	24.21	24.39	24.40
100	-	17.98	19.58	21.28	22.95	24.42	25.54	25.92	26.15
110	-	18.05	19.76	21.65	23.57	25.36	26.86	27.46	27.93
120	-	-	19.90	22.01	24.22	26.36	28.29	29.13	29.85
130	-	-	-	22.48	25.01	27.54	29.93	31.02	32.02
140	-	-	-	-	-	-	-	-	-

Mass flow in lbs/h

90	-	246	352	483	640	828	1 049	1 173	1 307
100	-	221	323	447	598	778	990	1 110	1 238
110	-	201	299	419	564	737	942	1 057	1 182
120	-	-	280	396	537	706	905	1 017	1 138
130	-	-	-	380	518	683	878	987	1 105
140	-	-	-	-	-	-	-	-	-

Energy Efficiency Ratio (E.E.R.)

90	-	5.93	7.36	9.02	11.01	13.47	16.60	18.50	20.71
100	-	5.03	6.27	7.65	9.27	11.20	13.59	15.01	16.62
110	-	4.26	5.38	6.56	7.90	9.47	11.36	12.45	13.68
120	-	-	4.61	5.66	6.80	8.10	9.63	10.50	11.46
130	-	-	-	4.88	5.88	6.98	8.24	8.95	9.73
140	-	-	-	-	-	-	-	-	-

Nominal performance at to = 20 °F, tc = 120 °F

Cooling capacity	35 371	Btu/h	Current consumption	24.22	A
Power input	5 202	W	Mass flow	537	lbs/h
E.E.R.	6.80				

Pressure switch settings

Maximum HP switch setting	348	psi(g)
Minimum LP switch setting	15	psi(g)
LP pump down setting	18	psi(g)

T 0 : Evaporating temperature at dew point

T C : Condensing temperature at dew point

Rating conditions : Superheat = 20 °F , Subcooling = 0 °F

Tolerance according EN12900

Sound power data

Sound power level	82	dB(A)
With acoustic hood	76	dB(A)

Performance data at 60 Hz, ARI rating conditions
R448A

Cond. temp. in °F (tc)	Evaporating temperature in °F (to)								
	-20	-10	0	10	20	30	40	45	50

Cooling capacity in Btu/h

50	18 365	25 854	35 286	46 854	-	-	-	-	-
60	16 757	23 954	32 964	43 982	57 201	-	-	-	-
70	15 067	21 963	30 543	41 002	53 534	68 332	-	-	-
80	13 303	19 890	28 032	37 925	49 761	63 735	80 040	-	-
100	9 597	15 542	22 784	31 519	41 940	54 242	68 617	76 643	85 260
120	-	10 991	17 301	24 845	33 819	44 416	56 830	63 779	71 254
140	-	-	-	-	25 480	34 339	44 760	50 616	56 934

Power input in W

50	4 125	4 477	4 758	4 963	-	-	-	-	-
60	3 551	3 936	4 254	4 498	4 662	-	-	-	-
70	3 170	3 599	3 963	4 256	4 470	4 601	-	-	-
80	2 935	3 417	3 837	4 188	4 464	4 658	4 763	-	-
100	2 721	3 338	3 898	4 395	4 821	5 171	5 437	5 537	5 613
120	-	3 328	4 067	4 748	5 363	5 907	6 373	6 575	6 754
140	-	-	-	-	5 719	6 496	7 200	7 523	7 825

Current consumption in A

50	4.58	6.24	7.55	8.50	-	-	-	-	-
60	8.63	10.31	11.66	12.67	13.34	-	-	-	-
70	11.59	13.34	14.78	15.92	16.74	17.24	-	-	-
80	13.58	15.45	17.05	18.37	19.39	20.12	20.55	-	-
100	15.12	17.42	19.50	21.35	22.96	24.33	25.44	25.90	26.29
120	-	17.20	19.99	22.60	25.03	27.26	29.29	30.23	31.12
140	-	-	-	-	26.58	29.91	33.09	34.63	36.12

Mass flow in lbs/h

50	231	319	427	557	-	-	-	-	-
60	218	306	413	541	693	-	-	-	-
70	204	293	399	525	674	848	-	-	-
80	189	278	384	509	655	826	1 023	-	-
100	153	243	348	471	614	779	969	1 074	1 185
120	-	197	302	424	564	724	908	1 009	1 117
140	-	-	-	-	500	657	835	933	1 037

Energy Efficiency Ratio (E.E.R.)

50	4.45	5.78	7.42	9.44	-	-	-	-	-
60	4.72	6.09	7.75	9.78	12.27	-	-	-	-
70	4.75	6.10	7.71	9.64	11.98	14.85	-	-	-
80	4.53	5.82	7.31	9.06	11.15	13.68	16.80	-	-
100	3.53	4.66	5.84	7.17	8.70	10.49	12.62	13.84	15.19
120	-	3.30	4.25	5.23	6.31	7.52	8.92	9.70	10.55
140	-	-	-	-	4.46	5.29	6.22	6.73	7.28

Nominal performance at to = 20 °F, tc = 120 °F

Cooling capacity	33 819	Btu/h	Current consumption	25.03	A
Power input	5 363	W	Mass flow	564	lbs/h
E.E.R.	6.31				

Pressure switch settings

Maximum HP switch setting	402	psi(g)
Minimum LP switch setting	15	psi(g)
LP pump down setting	19	psi(g)

T 0 : Evaporating temperature at dew point

T C : Condensing temperature at dew point

Rating conditions : Superheat = 20 °F , Subcooling = 0 °F

Tolerance according EN12900

Sound power data

Sound power level	83	dB(A)
With acoustic hood	77	dB(A)

Danfoss can accept no responsibility for possible errors in catalogues, brochures and other printed material. Danfoss reserves the right to alter its products without notice. This also applies to products already on order provided that such alternations can be made without subsequential changes being necessary in specifications already agreed. All trademarks in this material are property of the respective companies. Danfoss, the Danfoss logotype and Maneurop are trademarks of Danfoss A/S. All rights reserved.

Performance data at 60 Hz, ARI rating conditions
R449A

Cond. temp. in °F (tc)	Evaporating temperature in °F (to)								
	-20	-10	0	10	20	30	40	45	50

Cooling capacity in Btu/h

50	18 366	25 856	35 288	46 857	-	-	-	-	-
60	16 759	23 956	32 967	43 985	57 204	-	-	-	-
70	15 068	21 964	30 545	41 005	53 537	68 336	-	-	-
80	13 304	19 892	28 035	37 928	49 765	63 740	80 045	-	-
100	9 598	15 543	22 786	31 522	41 944	54 246	68 623	76 649	85 266
120	-	10 992	17 303	24 848	33 823	44 421	56 836	63 785	71 262
140	-	-	-	-	25 483	34 344	44 766	50 622	56 942

Power input in W

50	4 125	4 477	4 758	4 963	-	-	-	-	-
60	3 551	3 936	4 254	4 498	4 662	-	-	-	-
70	3 170	3 599	3 963	4 256	4 470	4 601	-	-	-
80	2 935	3 417	3 837	4 188	4 464	4 658	4 763	-	-
100	2 721	3 338	3 898	4 395	4 821	5 171	5 437	5 537	5 613
120	-	3 328	4 067	4 748	5 363	5 907	6 373	6 575	6 754
140	-	-	-	-	5 719	6 496	7 200	7 523	7 825

Current consumption in A

50	4.58	6.24	7.54	8.49	-	-	-	-	-
60	8.64	10.31	11.66	12.67	13.34	-	-	-	-
70	11.60	13.34	14.79	15.92	16.74	17.24	-	-	-
80	13.58	15.46	17.05	18.37	19.40	20.12	20.55	-	-
100	15.12	17.42	19.50	21.35	22.96	24.33	25.44	25.90	26.29
120	-	17.20	19.99	22.60	25.03	27.26	29.29	30.23	31.12
140	-	-	-	-	26.58	29.91	33.09	34.62	36.12

Mass flow in lbs/h

50	227	314	420	547	-	-	-	-	-
60	216	304	409	536	685	-	-	-	-
70	204	292	398	523	671	843	-	-	-
80	190	278	384	508	654	824	1 020	-	-
100	153	243	349	471	614	779	969	1 074	1 186
120	-	197	302	424	564	724	908	1 009	1 117
140	-	-	-	-	500	657	835	933	1 037

Energy Efficiency Ratio (E.E.R.)

50	4.45	5.78	7.42	9.44	-	-	-	-	-
60	4.72	6.09	7.75	9.78	12.27	-	-	-	-
70	4.75	6.10	7.71	9.64	11.98	14.85	-	-	-
80	4.53	5.82	7.31	9.06	11.15	13.68	16.81	-	-
100	3.53	4.66	5.85	7.17	8.70	10.49	12.62	13.84	15.19
120	-	3.30	4.25	5.23	6.31	7.52	8.92	9.70	10.55
140	-	-	-	-	4.46	5.29	6.22	6.73	7.28

Nominal performance at to = 20 °F, tc = 120 °F

Cooling capacity	33 823	Btu/h	Current consumption	25.03	A
Power input	5 363	W	Mass flow	564	lbs/h
E.E.R.	6.31				

Pressure switch settings

Maximum HP switch setting	402	psi(g)
Minimum LP switch setting	15	psi(g)
LP pump down setting	19	psi(g)

T 0 : Evaporating temperature at dew point

T C : Condensing temperature at dew point

Rating conditions : Superheat = 20 °F , Subcooling = 0 °F

Tolerance according EN12900

Sound power data

Sound power level	83	dB(A)
With acoustic hood	77	dB(A)

Danfoss can accept no responsibility for possible errors in catalogues, brochures and other printed material. Danfoss reserves the right to alter its products without notice. This also applies to products already on order provided that such alternations can be made without subsequential changes being necessary in specifications already agreed. All trademarks in this material are property of the respective companies. Danfoss, the Danfoss logotype and Maneurop are trademarks of Danfoss A/S. All rights reserved.

Performance data at 60 Hz, ARI rating conditions
R452A

Cond. temp. in °F (tc)	Evaporating temperature in °F (to)								
	-20	-10	0	10	20	30	40	45	50

Cooling capacity in Btu/h

50	21 809	29 730	39 690	51 879	-	-	-	-	-
60	19 730	27 323	36 815	48 397	62 259	-	-	-	-
70	17 603	24 846	33 848	44 799	57 892	73 314	-	-	-
80	15 441	22 310	30 799	41 097	53 396	67 887	84 757	-	-
100	11 054	17 108	24 500	33 423	44 067	56 624	71 282	79 459	88 232
120	6 659	11 805	18 009	25 464	34 361	44 892	57 245	64 166	71 613
140	-	-	-	17 311	24 369	32 782	42 741	48 359	54 436

Power input in W

50	3 204	3 498	3 713	3 841	-	-	-	-	-
60	3 188	3 537	3 810	4 001	4 101	-	-	-	-
70	3 184	3 592	3 930	4 189	4 362	4 442	-	-	-
80	3 177	3 652	4 059	4 393	4 645	4 808	4 875	-	-
100	3 106	3 730	4 297	4 798	5 225	5 573	5 832	5 927	5 996
120	2 871	3 670	4 419	5 110	5 738	6 293	6 769	6 975	7 158
140	-	-	-	5 228	6 079	6 866	7 582	7 912	8 221

Current consumption in A

50	13.24	14.76	15.98	16.83	-	-	-	-	-
60	14.45	16.03	17.34	18.32	18.93	-	-	-	-
70	15.38	17.07	18.52	19.68	20.50	20.91	-	-	-
80	16.02	17.87	19.52	20.91	21.99	22.69	22.97	-	-
100	16.38	18.72	20.91	22.91	24.65	26.09	27.17	27.56	27.84
120	15.43	18.45	21.39	24.19	26.81	29.19	31.27	32.19	33.01
140	-	-	-	24.65	28.35	31.87	35.16	36.70	38.16

Mass flow in lbs/h

50	351	472	618	792	-	-	-	-	-
60	332	452	597	768	967	-	-	-	-
70	313	433	576	744	940	1 167	-	-	-
80	292	412	554	720	913	1 136	1 391	-	-
100	242	363	504	667	856	1 071	1 317	1 452	1 595
120	175	299	440	602	787	996	1 234	1 364	1 503
140	-	-	-	517	699	905	1 136	1 262	1 396

Energy Efficiency Ratio (E.E.R.)

50	6.81	8.50	10.69	13.51	-	-	-	-	-
60	6.19	7.73	9.66	12.10	15.18	-	-	-	-
70	5.53	6.92	8.61	10.69	13.27	16.50	-	-	-
80	4.86	6.11	7.59	9.35	11.49	14.12	17.39	-	-
100	3.56	4.59	5.70	6.97	8.43	10.16	12.22	13.41	14.71
120	2.32	3.22	4.08	4.98	5.99	7.13	8.46	9.20	10.00
140	-	-	-	3.31	4.01	4.77	5.64	6.11	6.62

Nominal performance at to = 20 °F, tc = 120 °F

Cooling capacity	34 361	Btu/h	Current consumption	26.81	A
Power input	5 738	W	Mass flow	787	lbs/h
E.E.R.	5.99				

Pressure switch settings

Maximum HP switch setting	402	psi(g)
Minimum LP switch setting	15	psi(g)
LP pump down setting	19	psi(g)

T 0 : Evaporating temperature at dew point

T C : Condensing temperature at dew point

Rating conditions : Superheat = 20 °F , Subcooling = 0 °F

Tolerance according EN12900

Sound power data

Sound power level	83	dB(A)
With acoustic hood	77	dB(A)

Danfoss can accept no responsibility for possible errors in catalogues, brochures and other printed material. Danfoss reserves the right to alter its products without notice. This also applies to products already on order provided that such alternations can be made without subsequential changes being necessary in specifications already agreed. All trademarks in this material are property of the respective companies. Danfoss, the Danfoss logotype and Maneurop are trademarks of Danfoss A/S. All rights reserved.

Performance data at 60 Hz, ARI rating conditions
R513A

Cond. temp. in °F (tc)	Evaporating temperature in °F (to)								
	-20	-10	0	10	20	30	40	45	50

Cooling capacity in Btu/h

50	-	15 795	21 643	28 972	37 940	48 707	-	-	-
60	-	14 457	20 112	27 162	35 764	46 078	58 262	-	-
70	-	13 072	18 520	25 275	33 496	43 343	54 972	61 505	-
80	-	11 648	16 874	23 320	31 146	40 509	51 569	57 785	64 484
100	-	8 720	13 457	19 242	26 232	34 586	44 463	50 022	56 022
120	-	5 745	9 935	14 998	21 094	28 380	37 015	41 888	47 158
140	-	-	-	-	15 803	21 962	29 296	33 454	37 966

Power input in W

50	-	2 040	2 203	2 330	2 421	2 476	-	-	-
60	-	2 137	2 338	2 502	2 628	2 716	2 765	-	-
70	-	2 217	2 460	2 664	2 829	2 954	3 039	3 066	-
80	-	2 278	2 566	2 814	3 021	3 187	3 311	3 357	3 392
100	-	2 326	2 716	3 062	3 364	3 622	3 835	3 925	4 004
120	-	2 254	2 760	3 219	3 631	3 996	4 313	4 453	4 582
140	-	-	-	-	3 794	4 280	4 715	4 914	5 099

Current consumption in A

50	-	14.67	15.07	15.28	15.31	15.19	-	-	-
60	-	14.65	15.23	15.62	15.82	15.86	15.74	-	-
70	-	14.58	15.37	15.95	16.34	16.56	16.61	16.58	-
80	-	14.44	15.46	16.26	16.86	17.27	17.52	17.58	17.60
100	-	13.90	15.43	16.73	17.80	18.68	19.36	19.63	19.86
120	-	12.87	15.00	16.87	18.50	19.91	21.11	21.63	22.11
140	-	-	-	-	18.80	20.83	22.63	23.44	24.21

Mass flow in lbs/h

50	-	228	306	400	510	640	-	-	-
60	-	219	298	392	503	632	782	-	-
70	-	209	289	383	494	623	772	855	-
80	-	197	278	373	484	612	761	843	930
100	-	167	250	347	458	586	733	814	900
120	-	129	214	311	423	551	696	776	861
140	-	-	-	-	378	505	649	728	812

Energy Efficiency Ratio (E.E.R.)

50	-	7.74	9.83	12.43	15.67	19.67	-	-	-
60	-	6.77	8.60	10.86	13.61	16.97	21.07	-	-
70	-	5.89	7.53	9.49	11.84	14.67	18.09	20.06	-
80	-	5.11	6.58	8.29	10.31	12.71	15.58	17.21	19.01
100	-	3.75	4.96	6.28	7.80	9.55	11.59	12.74	13.99
120	-	2.55	3.60	4.66	5.81	7.10	8.58	9.41	10.29
140	-	-	-	-	4.17	5.13	6.21	6.81	7.45

Nominal performance at to = 20 °F, tc = 120 °F

Cooling capacity	21 094	Btu/h	Current consumption	18.50	A
Power input	3 631	W	Mass flow	423	lbs/h
E.E.R.	5.81				

Pressure switch settings

Maximum HP switch setting	402	psi(g)
Minimum LP switch setting	15	psi(g)
LP pump down setting	19	psi(g)

T 0 : Evaporating temperature at dew point

T C : Condensing temperature at dew point

Rating conditions : Superheat = 20 °F , Subcooling = 0 °F

Tolerance according EN12900

Sound power data

Sound power level		dB(A)
With acoustic hood		dB(A)

Danfoss can accept no responsibility for possible errors in catalogues, brochures and other printed material. Danfoss reserves the right to alter its products without notice. This also applies to products already on order provided that such alternations can be made without subsequential changes being necessary in specifications already agreed. All trademarks in this material are property of the respective companies. Danfoss, the Danfoss logotype and Maneurop are trademarks of Danfoss A/S. All rights reserved.