

ENGINEERING
TOMORROW

Danfoss

Datasheets

Danfoss scroll compressors **H series**



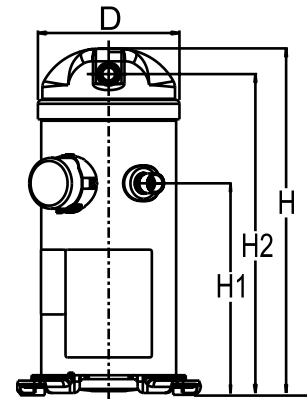
FRCC.UD.170410.160326

www.danfoss.com/odsg

General Characteristics

Model number (on compressor nameplate)		HRP034T1LP6
Code number for Singlepack*		120U3092
Code number for Industrial pack**		120U3091
Drawing number		0XC6301B-2
Suction and discharge connections		Brazed
Suction connection		3/4 " ODF
Discharge connection		1/2 " ODF
Oil sight glass		None
Oil equalization connection		None
Oil drain connection		None
LP gauge port		None
IPR valve		Yes
Swept volume		2.82 in3/rev
Displacement @ Nominal speed		343 cfh @ 3500 rpm
Net weight		68 lbs
Oil charge		36 oz, PVE - -
Maximum system test pressure Low Side / High side		- psi / - psi
Maximum differential test pressure		- psi
Maximum number of starts per hour		-
Refrigerant charge limit		8 lbs
Approved refrigerants		R407C

Dimensions

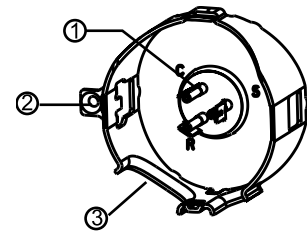


D=6.5 inch, H=16.3 inch,
H1=9.8 inch, H2=14.9 inch, H3=- inch

Electrical Characteristics

Nominal voltage	208-230V/1/60Hz
Voltage range	187-253 V
Winding resistance (main / start) at 25°C	0.665 Ω / 1.569 Ω
Run capacitors A + C	45 uF + - uF
Start capacitor B	145-175 uF
Start relay	RVA9CKL
Rated Load Amps (RLA)	15,7 A
Maximum Continuous Current (MCC)	24,5 A
Locked Rotor Amps (LRA)	96,7 A
Motor protection	Internal overload protector

Terminal box



IP22

- 1: Spade connectors 1/4"
- 2: Earth connection
- 3: Power cable passage

Recommended Installation torques

Oil sight glass	39 ft.lbs
Power connections / Earth connection	0 ft.lbs / 0 ft.lbs

Parts shipped with compressor

Mounting kit with grommets and sleeves
Initial oil charge
Installation instructions

Approvals : CE certified, UL certified (file SA11565), -

*Singlepack: Compressor in cardboard box

**Industrial pack: 12 or 16 Unboxed compressors on pallet

Rotolock accessories, suction side	Code no.
Solder sleeve, P04 (1-1/4" Rotolock, 3/4" ODF)	8153008
Angle adapter, C04 (1-1/4" Rotolock, 3/4" ODF)	8168006
Rotolock valve, V04 (1-1/4" Rotolock, 3/4" ODF)	8168029
Gasket, 1-1/4"	8156131

Rotolock accessories, discharge side	Code no.
Solder sleeve, P06 (1" Rotolock, 1/2" ODF)	8153007
Angle adapter, C06 (1" Rotolock, 1/2" ODF)	8168007
Rotolock valve, V06 (1" Rotolock, 1/2" ODF)	8168031
Gasket, 1"	8156130

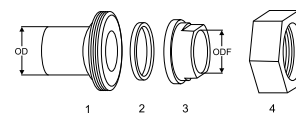
Rotolock accessories, sets	Code no.
Solder sleeve adapter set (1-1/4"~3/4"), (1"~1/2")	120Z0126
Gasket set, 1", 1-1/4", 1-3/4", OSG gaskets black & white	8156009

Oil / lubricants	Code no.
PVE lubricant, 320HV (FVC68D), 1 litre can	120Z5034

Crankcase heaters	Code no.
Belt type crankcase heater, 40 W, 230 V, CE mark, UL	120Z0055

Miscellaneous accessories	Code no.
Acoustic hood	120Z5043
Discharge thermostat kit	7750009
IP54 upgrade kit	118U0056

Spare parts	Code no.
Mounting kit for 1 scroll compressor including 4 grommets, 4 sleeves, 4 bolts, 4 washers	120Z5005
Mounting kit for 1 scroll compressor including 4 grommets, 4 sleeves, 4 bolts, 4 washers	120Z5031
No translation for 120Z5015	120Z5015

Solder sleeve adapter set


- 1: Rotolock adapter (Suc & Dis)
- 2: Gasket (Suc & Dis)
- 3: Solder sleeve (Suc & Dis)
- 4: Rotolock nut (Suc & Dis)

Performance data at 60 Hz, ARI rating conditions

R407C

Cond. temp. in °F (tc)	Evaporating temperature in °F (to)								
	-20	-10	0	10	20	30	40	45	55

Cooling capacity in Btu/h

90	8 542	11 220	14 642	18 892	24 059	30 227	37 483	41 545	50 595
100	-	10 457	13 735	17 796	22 727	28 613	35 541	39 423	48 076
110	-	9 678	12 810	16 678	21 369	26 971	33 568	37 267	45 520
120	-	-	11 823	15 495	19 944	25 257	31 520	35 035	42 884
130	-	-	-	14 205	18 409	23 431	29 356	32 685	40 128
140	-	-	-	-	16 722	21 449	27 034	30 175	37 209
150	-	-	-	-	-	19 271	24 512	27 464	34 084

Power input in W

90	1 618	1 659	1 700	1 743	1 789	1 837	1 891	1 919	1 981
100	-	2 018	2 027	2 039	2 055	2 076	2 104	2 120	2 159
110	-	2 394	2 375	2 360	2 352	2 350	2 356	2 362	2 382
120	-	-	2 752	2 715	2 686	2 665	2 654	2 652	2 657
130	-	-	-	3 110	3 065	3 029	3 005	2 998	2 992
140	-	-	-	-	3 495	3 449	3 417	3 405	3 394
150	-	-	-	-	-	3 933	3 895	3 883	3 869

Current consumption in A

90	9.49	8.94	8.84	9.02	9.36	9.70	9.90	9.91	9.63
100	-	10.82	10.48	10.47	10.64	10.84	10.94	10.90	10.56
110	-	12.09	11.59	11.43	11.49	11.61	11.65	11.59	11.24
120	-	-	12.51	12.27	12.26	12.35	12.38	12.34	12.03
130	-	-	-	13.33	13.32	13.43	13.51	13.50	13.28
140	-	-	-	-	15.02	15.20	15.39	15.44	15.37
150	-	-	-	-	-	18.02	18.37	18.51	18.63

Mass flow in lbs/h

90	120	155	198	250	310	382	466	513	617
100	-	153	195	246	307	379	463	510	615
110	-	148	190	242	303	375	460	507	612
120	-	-	183	235	296	369	455	502	609
130	-	-	-	225	287	361	448	496	604
140	-	-	-	-	274	350	438	487	596
150	-	-	-	-	-	334	424	474	585

Energy Efficiency Ratio (E.E.R.)

90	5.28	6.76	8.61	10.84	13.45	16.45	19.82	21.65	25.54
100	-	5.18	6.78	8.73	11.06	13.78	16.89	18.59	22.27
110	-	4.04	5.39	7.07	9.09	11.48	14.25	15.77	19.11
120	-	-	4.30	5.71	7.43	9.48	11.88	13.21	16.14
130	-	-	-	4.57	6.01	7.73	9.77	10.90	13.41
140	-	-	-	-	4.78	6.22	7.91	8.86	10.96
150	-	-	-	-	-	4.90	6.29	7.07	8.81

Nominal performance at to = 45 °F, tc = 130 °F

Cooling capacity	32 685	Btu/h	Current consumption	13.50	A
Power input	2 998	W	Mass flow	496	lbs/h
E.E.R.	10.90				

Pressure switch settings

Maximum HP switch setting	435	psi(g)
Minimum LP switch setting	7	psi(g)
LP pump down setting	15	psi(g)

T 0 : Evaporating temperature at dew point

T C : Condensing temperature at dew point

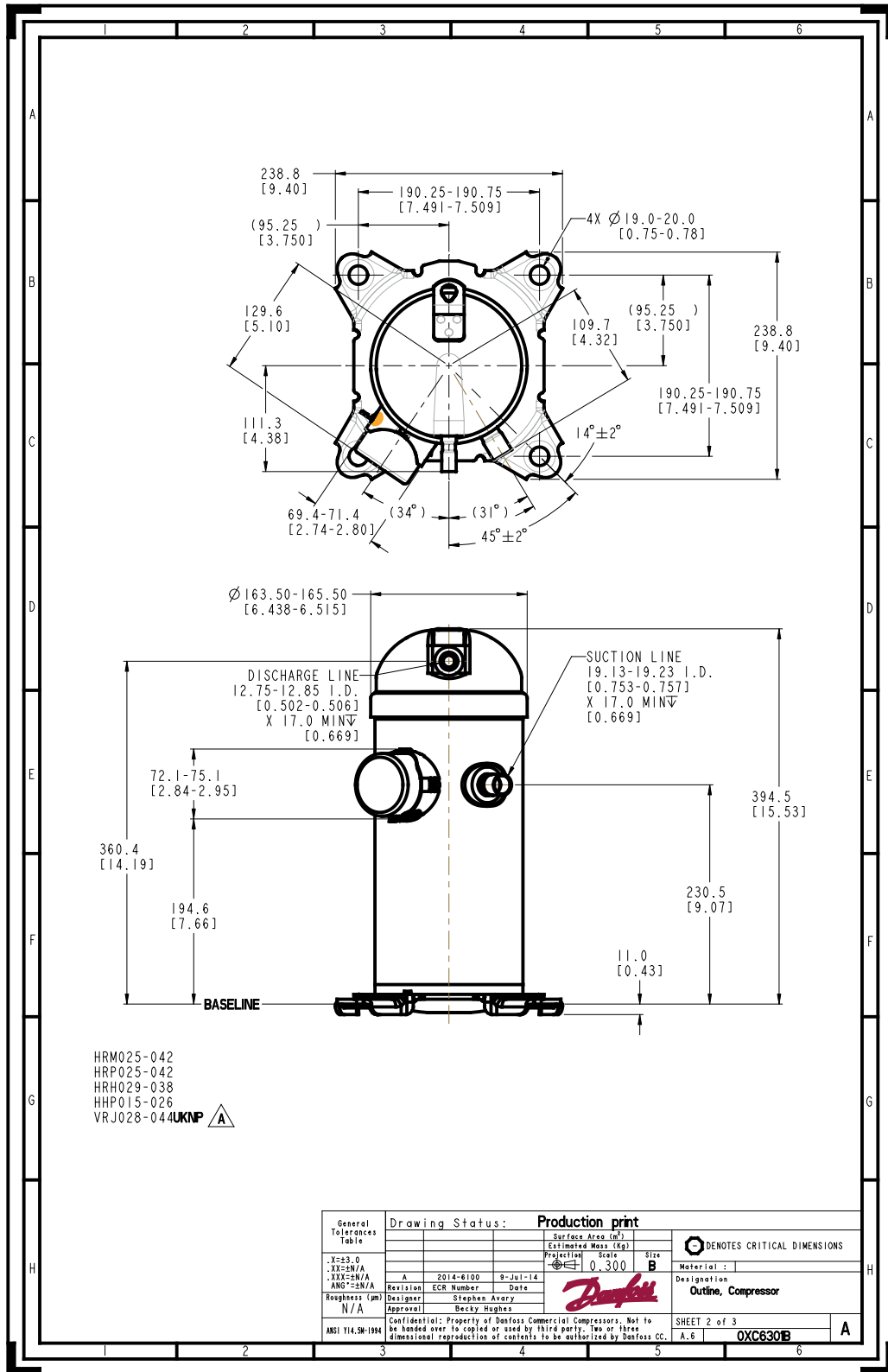
Rating conditions : Superheat = 20 °F , Subcooling = 15 °F

All performance data +/- 5%

Sound power data

Sound power level	71	dB(A)
With acoustic hood	66	dB(A)

Danfoss can accept no responsibility for possible errors in catalogues, brochures and other printed material. Danfoss reserves the right to alter its products without notice. This also applies to products already on order provided that such alternations can be made without subsequential changes being necessary in specifications already agreed. All trademarks in this material are property of the respective companies. Danfoss and the Danfoss logotype and Performer are trademarks of Danfoss A/S. All rights reserved.



Danfoss can accept no responsibility for possible errors in catalogues, brochures and other printed material. Danfoss reserves the right to alter its products without notice. This also applies to products already on order provided that such alternations can be made without subsequential changes being necessary in specifications already agreed. All trademarks in this material are property of the respective companies. Danfoss, the Danfoss logotype and Maneurop are trademarks of Danfoss A/S. All rights reserved.