

Datasheet

GX GFEP Contactor Panel

(Ground fault equipment protection)

General Information



The Danfoss GFEP Contactor Panel is primarily designed for snow and ice melting applications. The integral 30mA Ground Fault Protection Equipment (GFEP) ensures safety along with NEC and local codes requirements. The panel can be activated by a Danfoss GX850, DS-2C, DS-5C, DS-8C or other type of controller.

- Low cost
- Simple installation
- NEMA 1, UL listed enclosure
- Integrated 30mA GFEP
- A LED trip indicator (internal)
- A LED heat on indicator
- Pre-wired terminal connections
- 120V on/off remote heat indication
- 4 Hour Timer

Technical Data

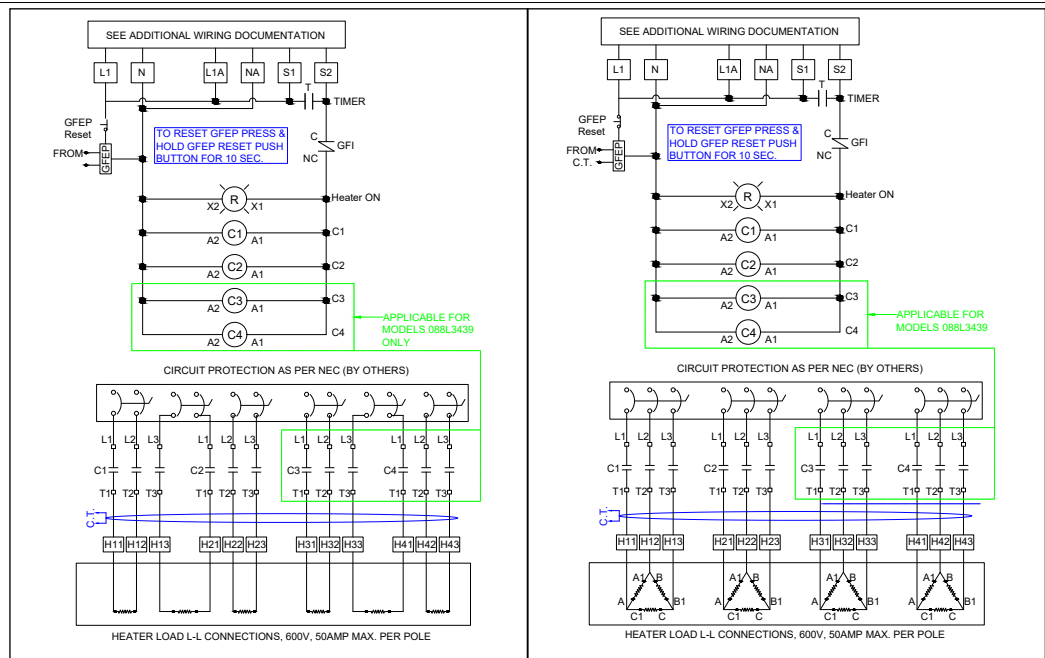
Max. Lead Voltage:	600V
Max. Heating Load:	100A/200A
Control Voltage:	120V
Enclosure Type:	NEMA 1
Mounting:	Wall mounted, indoors
Dimensions: (HxWxD):	088L3438: 12" x 10" x 5" / 008L3439: 14" x 12" x 6"
GFEP:	Integrated 30mA trip

Note: The system is not for use with applications requiring 5mA ground fault protection.

Typical Wiring Diagrams

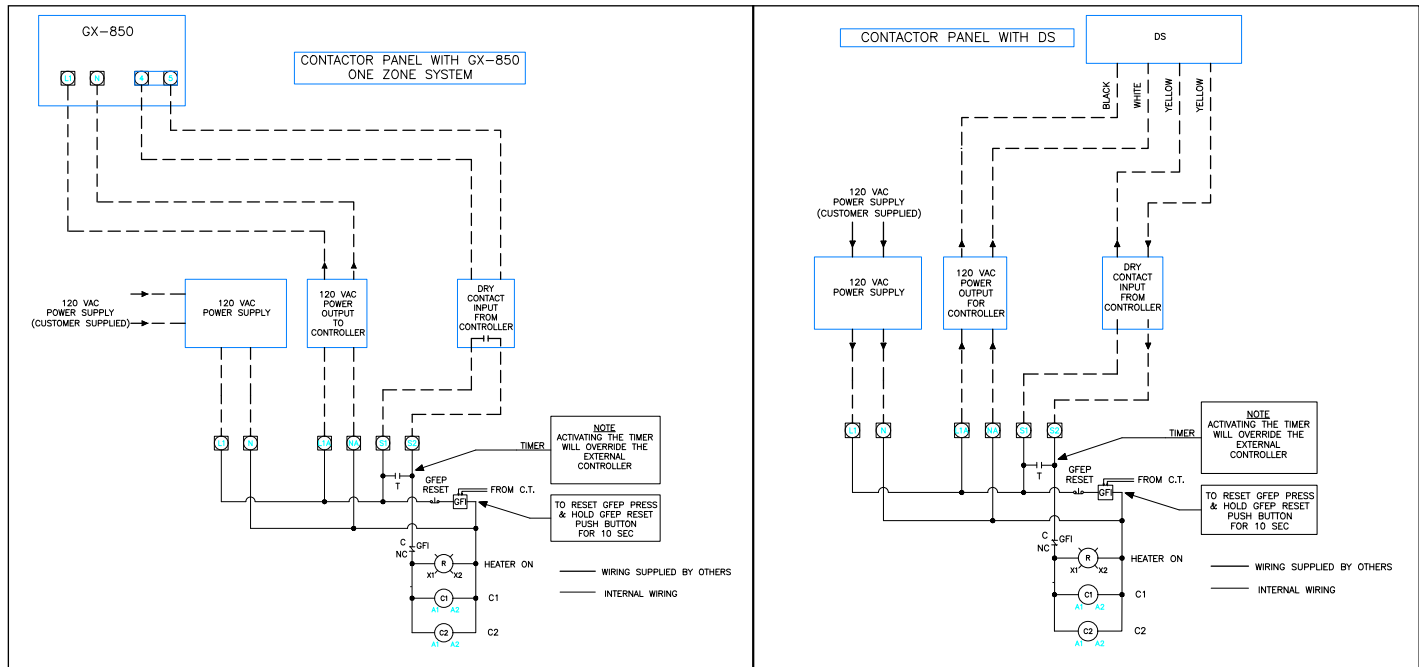
Left: Simplified single phase connected heating cables

Right: Simplified three phase connected heating cables



GX GFEP Contactor Panel

Typical Installation Diagram
(GFEP panel & sensor/controller)



Ordering Information

Part No.	Description
088L3438	100A Panel Enclosure 4Hr, GFEP & 2-3P CS
088L3439	200A Panel Enclosure 4Hr, GFEP & 4-3P CS

Warranty

Danfoss offers a two year limited warranty covering defects in workmanship and materials.

Technical Services

For technical questions, please contact Danfoss Climate Solutions at 1-888-326-3677. More information on Danfoss Electric Heating products is available at www.LX.Danfoss.com.

Danfoss can accept no responsibility for possible errors in catalogs, brochures, other printed materials, and website information. Danfoss reserves the right to alter its products without notice. This also applies to products already on order provided that such alteration can be made without subsequent changes being necessary in specifications already agreed upon. All trademarks in this material are property of the respective companies. Danfoss and Danfoss logotype are trademarks of Danfoss A/S. All rights reserved.