

## RXYQ\*\*\*TTJU Heat Pump

RXYQ120TTJU  
RXYQ120TTJUC  
RXYQ144TTJU  
RXYQ144TTJUC  
RXYQ168TTJU  
RXYQ168TTJUC  
RXYQ72TTJU  
RXYQ72TTJUC  
RXYQ96TTJU  
RXYQ96TTJUC



This manual is to be used by qualified technicians only.

This manual replaces RP-D4019.

© 2014-2015 **DAIKIN MANUFACTURING COMPANY, L.P.** ◇ 5151 San Felipe St., Suite 500 ◇ Houston, TX 77056

# Important Information

---

## Index

Functional Parts List .....	3
Illustration and Parts .....	4 - 15

*Views shown are for parts illustrations only, not servicing procedures*

Rev A: addition of Chicago models with the addition of the letter "C" on the end of the models. These models use a pressure relief valve in place of the fusible plug.

### Text Codes:

AR - As Required

NA - Not Available

NS - Not Shown

00000000 - See Note

QTY - Quantity Example (QTY 3) (If Quantity not shown, Quantity = 1)

M - Model Example (M1) (If M Code not shown, then part is used on all Models)

### Expanded Model Nomenclature:

Example M1 - Model#1 M2 - Model#2 M3 - Model#3
---

Daikin Manufacturing Company, L.P. is not responsible for personal injury or property damage resulting from improper service. Review all service information before beginning repairs.

Warranty service must be performed by an authorized technician, using authorized factory parts. If service is required after the warranty expires, Daikin Manufacturing Company, L.P. also recommends contacting an authorized technician and using authorized factory parts.

Daikin Manufacturing Company, L.P. reserves the right to discontinue, or change at any time, specifications or designs without notice or without incurring obligations.

For assistance within the U.S.A. contact:

Consumer Affairs Department

Daikin North America, LLC

7401 Security Way

Houston, Texas 77040

855-770-5678-Telephone

713-863-2382-Facsimile

For assistance outside the U.S.A. contact:

International Division

Daikin North America, LLC

7401 Security Way

Houston, Texas 77040

713-861-2500-Telephone

713-863-2382-Facsimile

# Functional Parts

**Part No:**            **Description:**

1599729	CHECK VALVE (M3, M4, M5, M6, M7, M8)
2008769	CHECK VALVE (M1, M2, M9, M10)
5009474	CRANKCASE HEATER (M3, M4, M5, M6)
5009473	CRANKCASE HEATER
5009492	CURRENT SENSOR (M7, M8)
2117168	CURRENT TRANSFORMER (M1, M2, M3, M4, M5, M6, M9, M10)
1752715	DC FAN MOTOR (M3, M4, M5, M6)
1713309	DC FAN MOTOR (M7, M8)
1752708	FAN MOTOR (M1, M2, M9, M10)
076430J	FIN THERMISTOR (M3, M4, M5, M6)
1511387	HIGH PRESSURE SENSOR (M7, M8)
151137J	HIGH PRESSURE SENSOR (M1, M2, M3, M4, M5, M6, M9, M10)
7009449	HIGH PRESSURE SWITCH
151140J	LOW PRESSURE SENSOR (M1, M2, M3, M4, M5, M6, M9, M10)
1434101	LOW PRESSURE SENSOR (M7, M8)
1599736	PRESSURE CONTROL VALVE (M7, M8)
159973J	PRESSURE CONTROL VALVE (M1, M2, M3, M4, M5, M6, M9, M10)
0151V00000	PRESSURE RELIEF VALVE (M2, M4, M6, M8, M10)
2103835	PRINTED CIRCUIT (FAN) (M3, M4, M5, M6)
2159852	PRINTED CIRCUIT (FAN) (M1, M2, M9, M10)
2159876	PRINTED CIRCUIT (FAN) (M1, M2, M9, M10)
2103811	PRINTED CIRCUIT (FAN) (M3, M4, M5, M6)
7009571	PRINTED CIRCUIT (INVERTER) (M3, M4, M5, M6)
7009521	PRINTED CIRCUIT (INVERTER) (M1, M2, M9, M10)
1716788	PRINTED CIRCUIT ASSY. (ABC I/P)
7009570	PRINTED CIRCUIT ASSY. (FAN INVERTER) (M3, M4, M5, M6)
1996250	PRINTED CIRCUIT ASSY. (FAN) (M7, M8)
7009569	PRINTED CIRCUIT ASSY. (INVERTER) (M3, M4, M5, M6)
7009519	PRINTED CIRCUIT ASSY. (INVERTER) (M1, M2, M9, M10)
7009461	PRINTED CIRCUIT ASSY. (INVERTER) (M7, M8)
7009438	PRINTED CIRCUIT ASSY. (MAIN)
2151423	PRINTED CIRCUIT ASSY. (NOISE FILTER) (M1, M2, M9, M10)
1996243	PRINTED CIRCUIT ASSY. (NOISE FILTER) (M3, M4, M5, M6, M7, M8)
2018456	SCROLL COMPRESSOR (M3, M4, M5, M6)
7009487	SCROLL COMPRESSOR (M1, M2, M9, M10)
1873054	SCROLL COMPRESSOR (M7, M8)
2104681	STOP VALVE (M1, M2, M3, M4, M5, M6)
2114424	STOP VALVE (M7, M8, M9, M10)
1782095	THERMISTOR (AIR A1P) ASSY. (M1, M2, M3, M4, M5, M6, M9, M10)
5009860	THERMISTOR (AIR) (M7, M8)

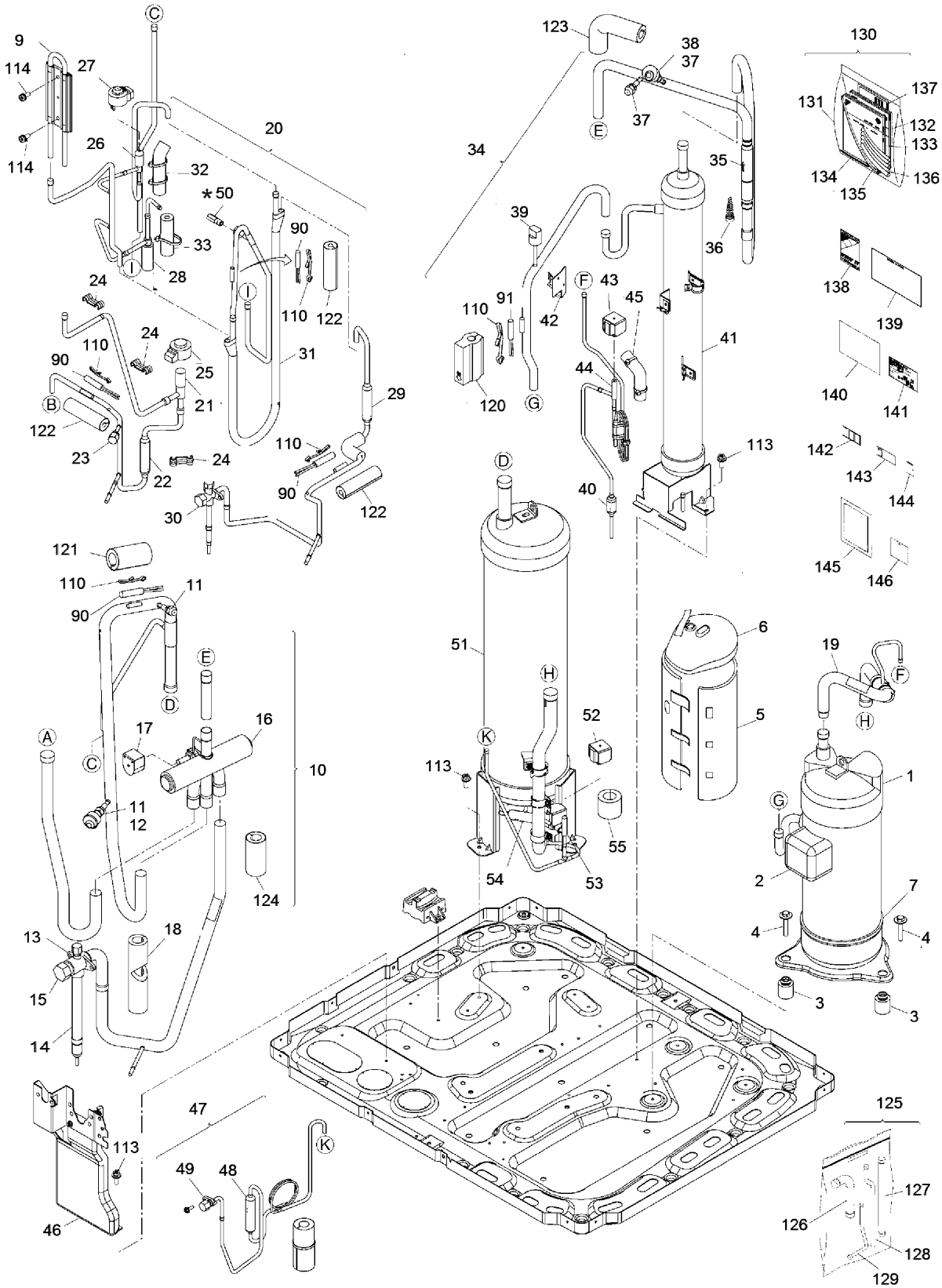
## Expanded Model Nomenclature

M1 - RXYQ120TTJU
M2 - RXYQ120TTJUC
M3 - RXYQ144TTJU
M4 - RXYQ144TTJUC
M5 - RXYQ168TTJU
M6 - RXYQ168TTJUC
M7 - RXYQ72TTJU
M8 - RXYQ72TTJUC
M9 - RXYQ96TTJU
M10 - RXYQ96TTJUC

# RXYQ72TTJU

— TOP —

\*Models ending in "C" use a pressure relief valve instead of the fusible plug.



Ref. Part No: No:	Description:	Ref. Part No: No:	Description:
<b>Image 1:</b>		<b>Image 1:</b>	
1	1873054	90	5009494
2	1874305	91	2113623
3	1278109	110	0423968
4	1625318	113	NA
5	5009776	114	4012540
6	5009778	120	1281530
7	5009473	121	0550459
9	7009441	122	1082207
10	7009442	123	NA
11	1541845	124	4012254
12	1434101	125	NA
13	6019595	126	7009488
14	2114424	127	7009489
15	2116831	128	7009490
16	5009794	129	7009491
17	7009443	130	7009492
18	NA	131	0311142
19	7009444	132	NA
20	7009445	133	NA
21	1996469	134	980774
22	5009807	135	980772
23	NA	136	1997424
24	1505111	137	NA
25	7009446	138	NA
26	5009795	139	NA
27	7009447	140	NA
28	1599736	141	NA
29	5009807	142	4010207
30	6019597	143	NA
31	5009792	144	NA
32	2225379	145	NA
33	4012783	146	NA
34	7009448		
35	1599729		
36	5009809		
37	1541845		
38	1511387		
39	7009449		
40	5009808		
41	7009450		
42	2113382		
43	7009451		
44	2165965		
45	NA		
46	7009452		
47	7009453		
48	232005		
49	7009454		
50	7009455		
50	0151V00000		
51	7009456		
52	7009457		
53	2165972		
54	232005		
55	NA		

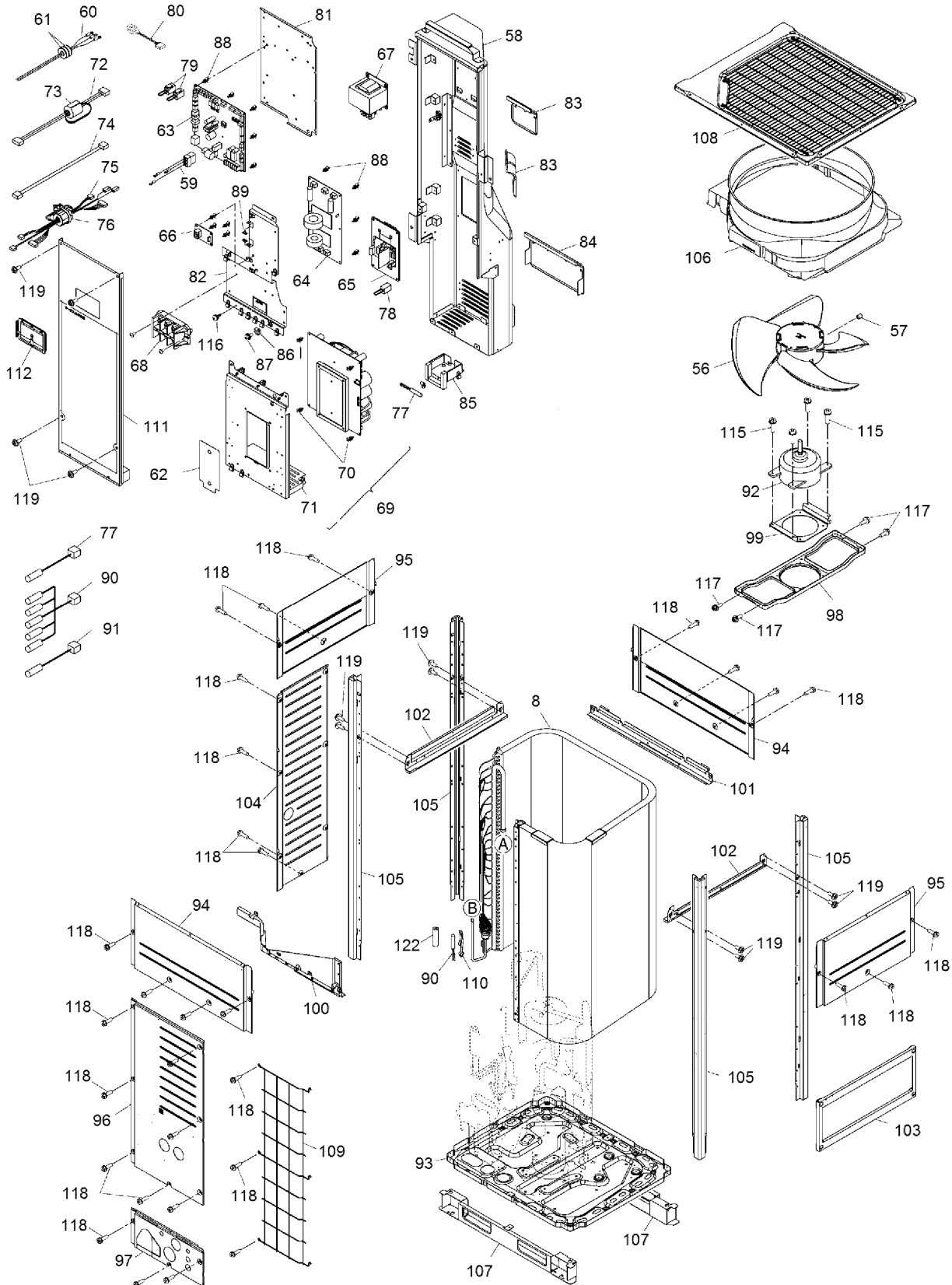
**Expanded Model Nomenclature**

M1 - RXYQ120TTJU
M2 - RXYQ120TTJUC
M3 - RXYQ144TTJU
M4 - RXYQ144TTJUC
M5 - RXYQ168TTJU
M6 - RXYQ168TTJUC
M7 - RXYQ72TTJU
M8 - RXYQ72TTJUC
M9 - RXYQ96TTJU
M10 - RXYQ96TTJUC

\*Models ending in "C" use a pressure relief valve(0151V00000) instead of the fusible plug.

RXYQ72TTJU

— TOP —

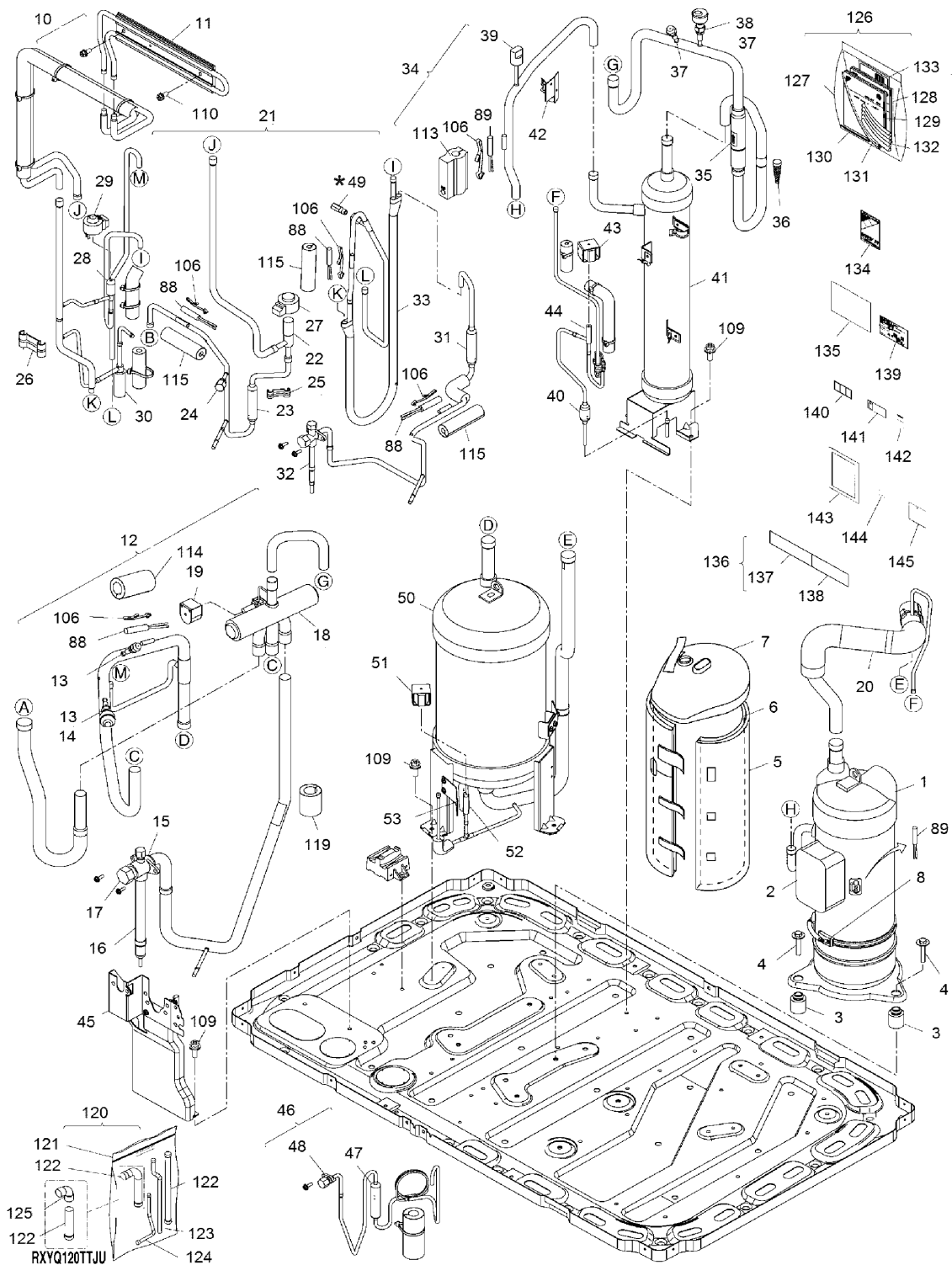


Ref. Part No: No:	Description:	Ref. Part No: No:	Description:										
<b>Image 1:</b>		<b>Image 1:</b>											
8	7009440	117	0493462 TAPPING SCREW (M7, M8)										
56	7009458	118	0250470 HEX. HEAD TAPPING SCREW (M7, M8)										
57	0571780	119	0356556 HEX. TAPPING SCREW (M7, M8)										
58	7009459	122	1082207 HEAT INSULATION TUBE (M7, M8)										
59	2151719	<b>Expanded Model Nomenclature</b>											
60	7009460	<table border="1"> <tr><td>M1 - RXYQ120TTJU</td></tr> <tr><td>M2 - RXYQ120TTJUC</td></tr> <tr><td>M3 - RXYQ144TTJU</td></tr> <tr><td>M4 - RXYQ144TTJUC</td></tr> <tr><td>M5 - RXYQ168TTJU</td></tr> <tr><td>M6 - RXYQ168TTJUC</td></tr> <tr><td>M7 - RXYQ72TTJU</td></tr> <tr><td>M8 - RXYQ72TTJUC</td></tr> <tr><td>M9 - RXYQ96TTJU</td></tr> <tr><td>M10 - RXYQ96TTJUC</td></tr> </table>		M1 - RXYQ120TTJU	M2 - RXYQ120TTJUC	M3 - RXYQ144TTJU	M4 - RXYQ144TTJUC	M5 - RXYQ168TTJU	M6 - RXYQ168TTJUC	M7 - RXYQ72TTJU	M8 - RXYQ72TTJUC	M9 - RXYQ96TTJU	M10 - RXYQ96TTJUC
M1 - RXYQ120TTJU													
M2 - RXYQ120TTJUC													
M3 - RXYQ144TTJU													
M4 - RXYQ144TTJUC													
M5 - RXYQ168TTJU													
M6 - RXYQ168TTJUC													
M7 - RXYQ72TTJU													
M8 - RXYQ72TTJUC													
M9 - RXYQ96TTJU													
M10 - RXYQ96TTJUC													
61	1459270												
62	2130495												
63	7009438												
64	1996243												
65	1996250												
66	1716788												
67	2219242												
68	0706649												
69	7009461												
70	0759287												
71	7009462												
72	2151834												
73	4008841												
74	2151726												
75	7009463												
76	6018262												
77	5009860												
78	1933413												
79	1352348												
80	5009492												
81	7009464												
82	7009465												
83	7009466												
84	7009467												
85	7009468												
86	0665786												
87	0807148												
88	847026												
89	NA												
90	5009494												
91	2113623												
92	1713309												
93	7009469												
94	7009470												
95	7009471												
96	7009472												
97	7009473												
98	7009474												
99	7009475												
100	7009476												
101	7009477												
102	7009478												
103	7009479												
104	7009480												
105	7009481												
106	2112372												
107	7009482												
108	7009483												
109	7009484												
111	7009485												
112	1287778												
115	7009486												
116	1198397												

# RXYQ96TTJU / RXYQ120TTJU

\*Models ending in "C" use a pressure relief valve instead of the fusible plug.

— TOP —



Ref. Part No: No:	Description:	Ref. Part No: No:	Description:
<b>Image 1:</b>		<b>Image 1:</b>	
1	7009487	49	0151V00000 *PRESSURE RELIEF VALVE (M2, M10) *Models ending in "C" use a pressure relief valve(0151V00000) instead of the fusible plug.
2	7009505	50	7009516 ACCUMULATOR ASSY. (M1, M2, M9, M10)
3	127810J	51	7009457 COIL/ SOLENOID VALVE (ACCUMULATOR OIL RETURN) (M1, M2, M9, M10)
4	162531J	52	2165972 BODY/ SOLENOID VALVE (ACCUMULATOR OIL RETURN) (M1, M2, M9, M10)
5	5009776	89	5009497 THERMISTOR ASSY. (M1, M2, M9, M10)
6	5009777	106	042396J FITTING SPRING/ THERMISTOR (M1, M2, M9, M10)
7	5009778	109	NA HEX. HEAD TAPPING SCREW (M1, M2, M9, M10)
8	5009473	110	4012540 HEX. BOLT (M1, M2, M9, M10)
10	7009507	113	1281530 THERMAL INSULATION (M1, M2, M9, M10)
11	7009508	114	550459 INSULATION TUBE/ LIQUID LINE (M1, M2, M9, M10)
12	7009509	115	1082207 HEAT INSULATION TUBE (M1, M2, M9, M10)
12	7009510	119	4012254 THERMAL INSULATION TUBE (M9, M10)
13	1541845	119	7009589 THERMAL INSULATION TUBE (M1, M2)
14	151140J	120	NA ACCESSORIES ASSY. (M1, M2, M9, M10)
15	6019595	121	311135 ACCESSORIES BAG (M1, M2, M9, M10)
15	6019662	122	7009544 AUXILIARY PIPE (GAS SIDE BOTTOM) (M1, M2)
16	2104681	122	7009545 AUXILIARY PIPE (GAS SIDE BOTTOM) (M9, M10)
16	2114424	122	7009542 AUXILIARY PIPE (GAS SIDE FRONT) (M1, M2)
17	2116831	122	7009543 AUXILIARY PIPE (GAS SIDE FRONT) (M9, M10)
18	5009794	123	7009490 AUXILIARY PIPE (LIQUID SIDE FRONT) (M9, M10)
19	7009443	123	7009546 AUXILIARY PIPE (LIQUID SIDE FRONT) (M1, M2)
20	7009511	124	7009491 AUXILIARY PIPE (LIQUID SIDE BOTTOM) (M9, M10)
21	7009512	124	7009547 AUXILIARY PIPE (LIQUID SIDE BOTTOM) (M1, M2)
22	1996469	125	1799257 L-TYPE JOINT (M1, M2)
24	NA	126	NA ACCESSORY SET (LABEL) (M1, M2, M9, M10)
25	1505111	127	NA ACCESSORIES ASSY. (M1, M2, M9, M10)
26	1104323	128	NA INSTALLATION MANUAL (M1, M2, M9, M10)
27	7009446	129	NA INSTALLATION MANUAL (M1, M2, M9, M10)
28	5009795	130	980774J TIE WRAP (M1, M2, M9, M10)
29	7009447	131	980772J CLAMP/ LEAD WIRE (M1, M2, M9, M10)
30	159973J	132	1997424 ELECTRIC INSULATION (M1, M2, M9, M10)
31	5009807	133	NA ADDITIONAL REFR. CHARGE LABEL (M1, M2, M9, M10)
32	6019597	134	NA BRAND NAME LABEL (NORMAL) (M1, M2, M9, M10)
33	5009792	135	NA OPERATION NAME PLATE (1/2) (M1, M2, M9, M10)
34	7009513	136	NA OPERATION NAME PLATE (M1, M2, M9, M10)
35	2008769	137	NA OPERATION NAME PLATE (1) (M1, M2, M9, M10)
36	5009809	138	NA OPERATION NAME PLATE (2) (M1, M2, M9, M10)
37	1541845	139	NA COLLECTIVE INDICATIONS LABEL (M1, M2, M9, M10)
38	151137J	140	4010207 LABEL (WARNING) (M1, M2, M9, M10)
39	7009449	141	NA CAUTION LABEL (ROTATING) (M1, M2, M9, M10)
41	7009514	142	NA CAUTION LABEL (BURN) (M1, M2, M9, M10)
42	2113382	143	NA CAUTION LABEL (TRANSPORT CLAMP) (M1, M2, M9, M10)
43	7009451	144	NA CAUTION LABEL (GRIPPING POSITION) (M1, M2, M9, M10)
44	2165965	145	NA CAUTION LABEL (M1, M2, M9, M10)
45	7009452		
46	7009515		
47	232005J		
48	7009454		
49	7009455		

**Ref. Part**  
**No: No:          Description:**

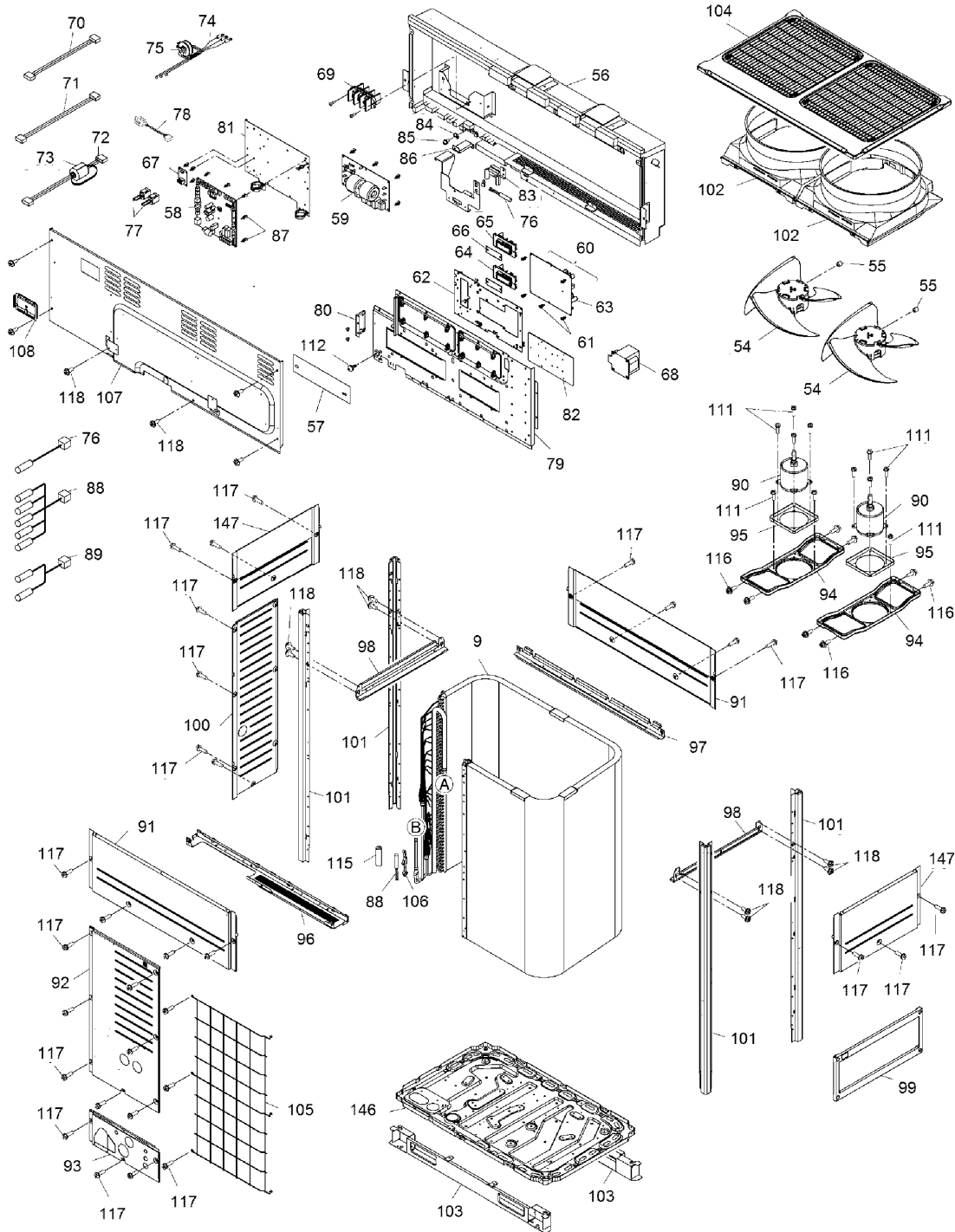
**Ref. Part**  
**No: No:          Description:**

---

**Expanded Model Nomenclature**

M1 - RXYQ120TTJU
M2 - RXYQ120TTJUC
M3 - RXYQ144TTJU
M4 - RXYQ144TTJUC
M5 - RXYQ168TTJU
M6 - RXYQ168TTJUC
M7 - RXYQ72TTJU
M8 - RXYQ72TTJUC
M9 - RXYQ96TTJU
M10 - RXYQ96TTJUC

— TOP —

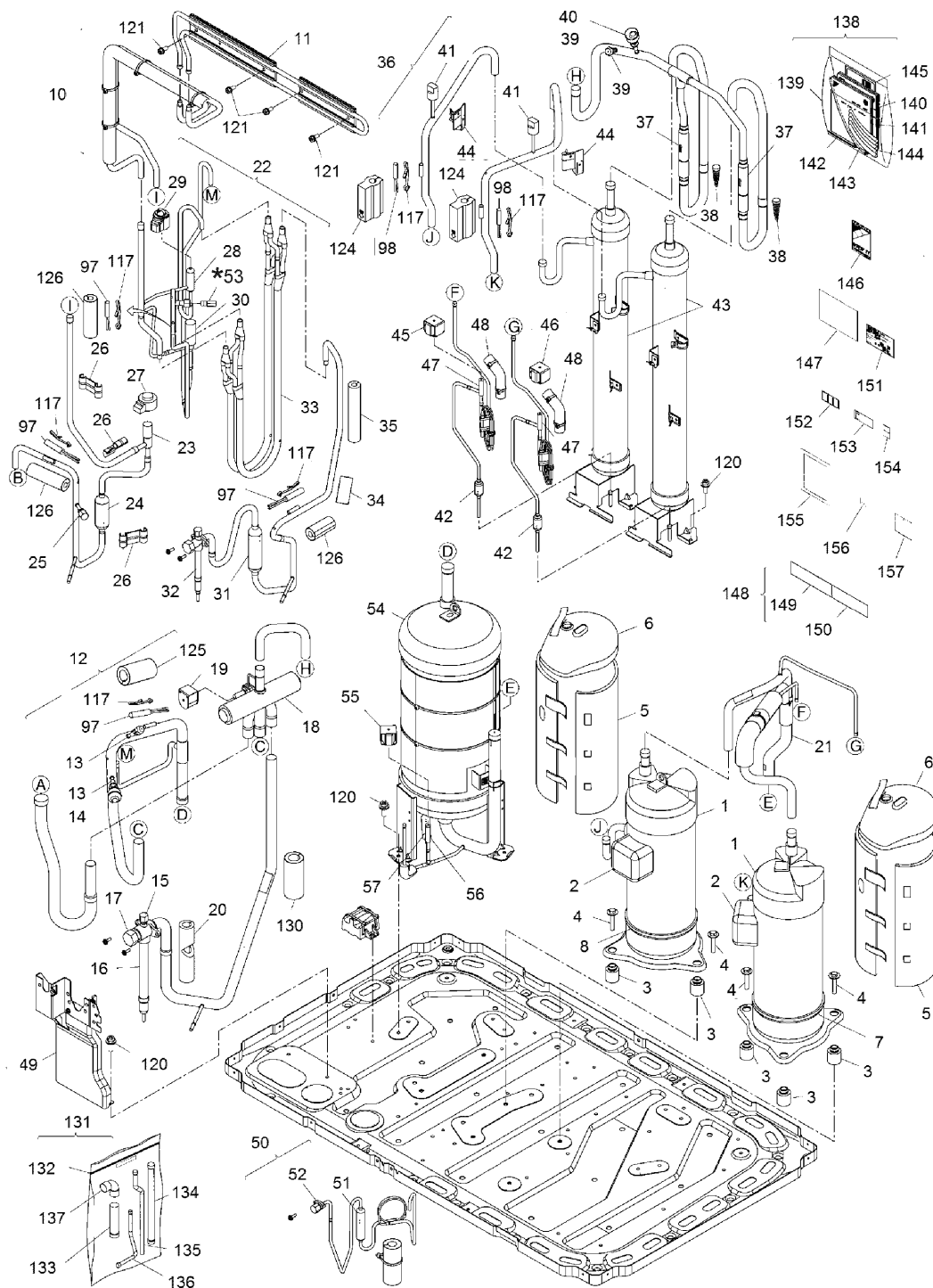


Ref. Part No: No:	Description:	Ref. Part No: No:	Description:
<b>Image 1:</b>		<b>Image 1:</b>	
9	7009506	108	1287778
	PLATE FINNED COIL HEAT EXCHANGER ASSY. (M1, M2, M9, M10)	111	7009486
54	7009517	112	1198397
	PROPELLER FAN ASSY. (M1, M2, M9, M10)	115	1082207
55	057178J	116	493462
	HEX. SOCKET SCREW (M1, M2, M9, M10)	117	025047J
56	7009518	118	356556
	EL. COMPO. BOX COVER ASSY. (M1, M2, M9, M10)	146	7009530
57	2130503	147	7009471
	INSULATION SHEET (M1, M2, M9, M10)		INSPECTION HOLE (M1, M2, M9, M10)
58	7009438		HEX. HEAD TAPPING SCREW (M1, M2, M9, M10)
	PRINTED CIRCUIT ASSY. (MAIN) (M1, M2, M9, M10)		GROUNDING TERMINAL (M1, M2, M9, M10)
59	2151423		HEAT INSULATION TUBE (M1, M2, M9, M10)
	PRINTED CIRCUIT ASSY. (NOISE FILTER) (M1, M2, M9, M10)		TAPPING SCREW (M1, M2, M9, M10)
60	7009519		HEX. HEAD TAPPING SCREW (M1, M2, M9, M10)
	PRINTED CIRCUIT ASSY. (INVERTER) (M1, M2, M9, M10)		HEX. TAPPING SCREW (M1, M2, M9, M10)
61	380401		BOTTOM FRAME (M1, M2, M9, M10)
	LOCKING CARD SPACER (M1, M2, M9, M10)		SIDE PLATE (UPPER) (M1, M2, M9, M10)
62	7009520		
	SET PLATE/ INVERTER (M1, M2, M9, M10)		
63	7009521		
	PRINTED CIRCUIT (INVERTER) (M1, M2, M9, M10)		
64	2159852		
	PRINTED CIRCUIT (FAN) (M1, M2, M9, M10)		
65	2159876		
	PRINTED CIRCUIT (FAN) (M1, M2, M9, M10)		
66	7009590		
	INSULATION SHEET (M1, M2, M9, M10)		
67	1716788		
	PRINTED CIRCUIT ASSY. (ABC I/P) (M1, M2, M9, M10)		
68	2151416		
	REACTOR (M1, M2, M9, M10)		
69	7009522		
	TERMINAL BLOCK (M1, M2, M9, M10)		
70	2093318		
	WIRE HARNESS (M1, M2, M9, M10)		
71	2093332		
	WIRE HARNESS (M1, M2, M9, M10)		
72	2151827		
	WIRE HARNESS ASSY. (M1, M2, M9, M10)		
73	4008841		
	FERRITE CORE (M1, M2, M9, M10)		
74	7009523		
	WIRE HARNESS ASSY. (COMP.) (M1, M2, M9, M10)		
75	064527J		
	LINE FILTER (M1, M2, M9, M10)		
76	1782095		
	THERMISTOR (AIR A1P) ASSY. (M1, M2, M9, M10)		
77	1352348		
	CONNECTOR/ SHORT CIRCUIT (M1, M2, M9, M10)		
78	2117168		
	CURRENT TRANSFORMER (M1, M2, M9, M10)		
79	7009524		
	EL. COMPO. MOUNTING PLATE (INVERTER) (M1, M2, M9, M10)		
80	7009525		
	SET PLATE/ IMPLEMENT USE (M1, M2, M9, M10)		
81	7009526		
	PCB MOUNTING PLATE (M1, M2, M9, M10)		
82	7009527		
	MOUNTING PLATE (THERMISTOR) (M1, M2, M9, M10)		
83	7009528		
	MOUNTING PLATE (M1, M2, M9, M10)		
84	066578J		
	CUP WASHER (M1, M2, M9, M10)		
85	080714J		
	GROUNDING TERMINAL (M1, M2, M9, M10)		
86	7009529		
	EL. COMPO. MOUNTING PLATE (M1, M2, M9, M10)		
87	380401		
	LOCKING CARD SPACER (M1, M2, M9, M10)		
88	5009496		
	THERMISTOR ASSY. (M1, M2, M9, M10)		
89	5009497		
	THERMISTOR ASSY. (M9, M10)		
90	1752708		
	FAN MOTOR (M1, M2, M9, M10)		
91	7009531		
	FRONT PLATE (UPPER) (M1, M2, M9, M10)		
92	7009532		
	FRONT PLATE (M1, M2, M9, M10)		
93	7009533		
	FRONT PLATE (BOTTOM) (M1, M2, M9, M10)		
94	7009534		
	MOTOR MOUNTING PLATE (M1, M2, M9, M10)		
95	7009535		
	MOTOR MOUNTING PLATE (M1, M2, M9, M10)		
96	7009536		
	STAY ASSY. (FRONT) (M1, M2, M9, M10)		
97	7009537		
	STAY (REAR) (M1, M2, M9, M10)		
98	7009478		
	STAY (RIGHT/ LEFT) (M1, M2, M9, M10)		
99	7009479		
	REINFORCED PLATE (M1, M2, M9, M10)		
100	7009480		
	SIDE PLATE (M1, M2, M9, M10)		
101	7009481		
	SUPPORT (M1, M2, M9, M10)		
102	7009588		
	BELL MOUTH (M1, M2, M9, M10)		
103	7009538		
	BRACKET (M1, M2, M9, M10)		
104	7009539		
	TOP PLATE ASSY. (M1, M2, M9, M10)		
105	7009540		
	PROTECTION NET (FRONT) (M1, M2, M9, M10)		
107	7009541		
	COVER/ SWITCH BOX (M1, M2, M9, M10)		
			<b>Expanded Model Nomenclature</b>
			M1 - RXYQ120TTJU
			M2 - RXYQ120TTJUC
			M3 - RXYQ144TTJU
			M4 - RXYQ144TTJUC
			M5 - RXYQ168TTJU
			M6 - RXYQ168TTJUC
			M7 - RXYQ72TTJU
			M8 - RXYQ72TTJUC
			M9 - RXYQ96TTJU
			M10 - RXYQ96TTJUC

**RXYQ144TTJU / RXYQ168TTJU**

\*Models ending in "C" use a pressure relief valve instead of the fusible plug.

— TOP —



Ref. Part No: No:	Description:	Ref. Part No: No:	Description:
<b>Image 1:</b>		<b>Image 1:</b>	
1	2018456	53	0151V00000 *PRESSURE RELIEF VALVE (M4, M6) *Models ending in "C" use a pressure relief valve(0151V00000) instead of the fusible plug.
2	1874305	54	7009568 ACCUMULATOR ASSY. (M3, M4, M5, M6)
3	127810J	55	7009457 COIL/ SOLENOID VALVE (ACCUMULATOR OIL RETURN) (M3, M4, M5, M6)
4	162531J	56	2165972 BODY/ SOLENOID VALVE (ACCUMULATOR OIL RETURN) (M3, M4, M5, M6)
5	5009776	57	232005J REFRIGERANT FILTER (M3, M4, M5, M6)
6	5009778	97	5009496 THERMISTOR ASSY. (M3, M4, M5, M6)
7	5009473	98	5009498 THERMISTOR ASSY. (M3, M4, M5, M6)
8	5009474	117	042396J FITTING SPRING/ THERMISTOR (M3, M4, M5, M6)
10	7009560	120	NA HEX. HEAD TAPPING SCREW (M3, M4, M5, M6)
11	7009561	121	4012540 HEX. BOLT (M3, M4, M5, M6)
12	7009562	124	1281530 THERMAL INSULATION (M3, M4, M5, M6)
13	1541845	125	NA THERMAL INSULATION TUBE (M3, M4, M5, M6)
14	151140J	126	1657632 THERMAL INSULATION TUBE (M3, M4, M5, M6)
15	6019662	130	424086 INSULATION TUBE/ REF. PIPING (M3, M4, M5, M6)
16	2104681	131	NA ACCESSORIES ASSY. (M3, M4, M5, M6)
17	2116831	132	311135 ACCESSORIES BAG (M3, M4, M5, M6)
18	5009794	133	7009542 AUXILIARY PIPE (GAS SIDE FRONT) (M3, M4, M5, M6)
19	7009443	134	7009544 AUXILIARY PIPE (GAS SIDE BOTTOM) (M3, M4, M5, M6)
20	2225355	135	7009575 AUXILIARY PIPE (LIQUID SIDE FRONT) (M5, M6)
21	7009563	135	7009576 AUXILIARY PIPE (LIQUID SIDE FRONT) (M3, M4)
22	7009564	136	7009577 AUXILIARY PIPE (LIQUID SIDE BOTTOM) (M5, M6)
23	1996469	136	7009578 AUXILIARY PIPE (LIQUID SIDE BOTTOM) (M3, M4)
24	097344J	137	1799257 L-TYPE JOINT (M3, M4, M5, M6)
25	NA	138	NA ACCESSORY SET (LABEL) (M3, M4, M5, M6)
26	1104323	139	NA ACCESSORIES ASSY. (M3, M4, M5, M6)
27	7009446	140	NA INSTALLATION MANUAL (M3, M4, M5, M6)
28	1420544	141	NA INSTALLATION MANUAL (M3, M4, M5, M6)
29	7009565	142	980774J TIE WRAP (M3, M4, M5, M6)
30	159973J	143	980772J CLAMP/ LEAD WIRE (M3, M4, M5, M6)
32	6019692	144	1997424 ELECTRIC INSULATION (M3, M4, M5, M6)
33	5009792	145	NA ADDITIONAL REFR. CHARGE LABEL (M3, M4, M5, M6)
34	4012797	146	NA BRAND NAME LABEL (NORMAL) (M3, M4, M5, M6)
35	7009586	147	NA OPERATION NAME PLATE (1/2) (M3, M4, M5, M6)
36	7009566	148	NA OPERATION NAME PLATE (M3, M4, M5, M6)
37	1599729	149	NA OPERATION NAME PLATE (1) (M3, M4, M5, M6)
38	5009809	150	NA OPERATION NAME PLATE (2) (M3, M4, M5, M6)
39	1541845	151	NA COLLECTIVE INDICATIONS LABEL (M3, M4, M5, M6)
40	151137J	152	4010207 LABEL (WARNING) (M3, M4, M5, M6)
41	7009449	153	NA CAUTION LABEL (ROTATING) (M3, M4, M5, M6)
42	5009808	154	NA CAUTION LABEL (BURN) (M3, M4, M5, M6)
43	7009450	155	NA CAUTION LABEL (TRANSPORT CLAMP) (M3, M4, M5, M6)
44	2113382	156	NA CAUTION LABEL (GRIPPING POSITION) (M3, M4, M5, M6)
45	7009451	157	NA CAUTION LABEL (M3, M4, M5, M6)
46	7009567		
47	2165965		
48	NA		
49	7009452		
50	7009515		
51	232005J		
52	7009454		
53	7009455		

**Ref. Part**  
**No: No:            Description:**

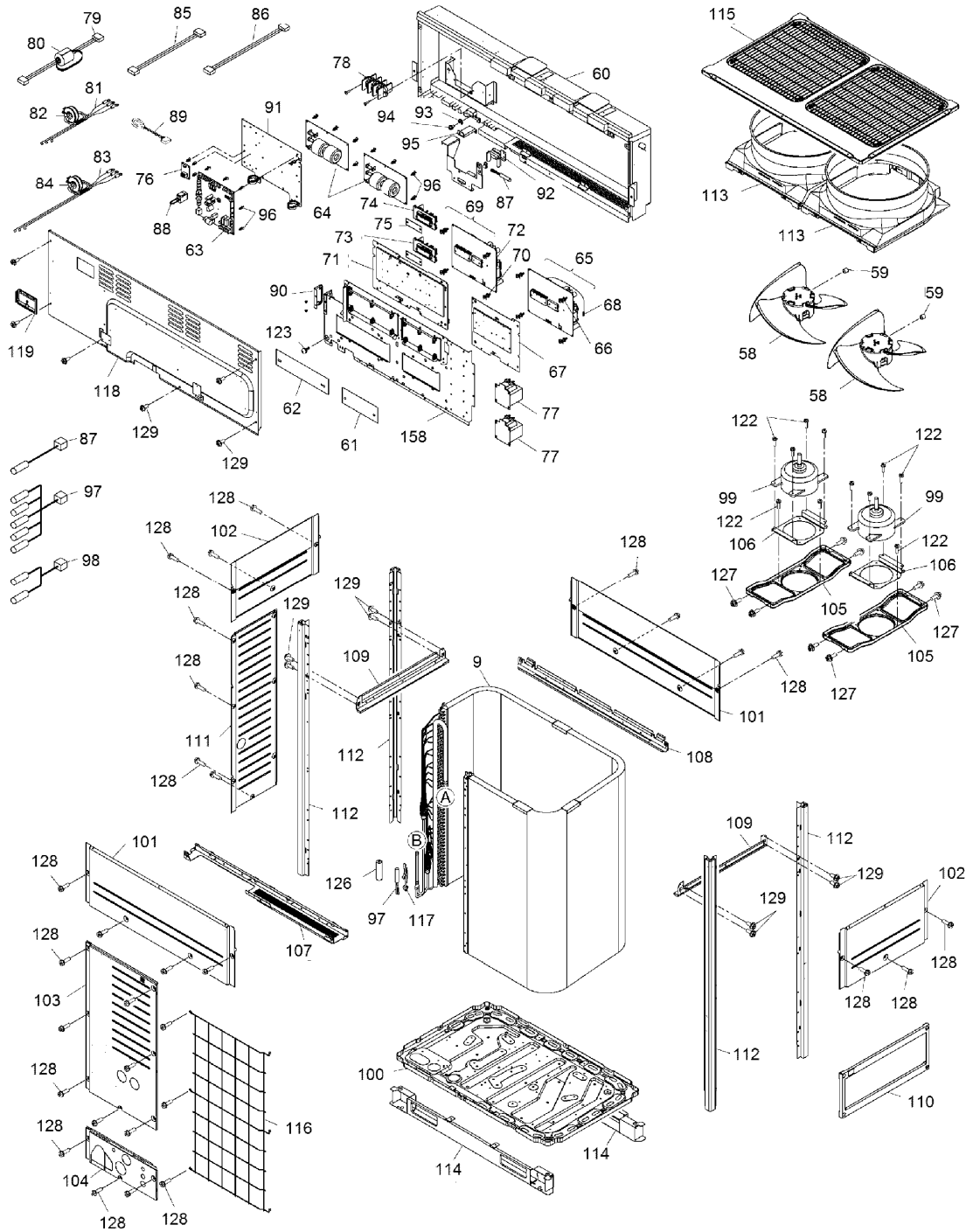
**Ref. Part**  
**No: No:            Description:**

---

**Expanded Model Nomenclature**

M1 - RXYQ120TTJU
M2 - RXYQ120TTJUC
M3 - RXYQ144TTJU
M4 - RXYQ144TTJUC
M5 - RXYQ168TTJU
M6 - RXYQ168TTJUC
M7 - RXYQ72TTJU
M8 - RXYQ72TTJUC
M9 - RXYQ96TTJU
M10 - RXYQ96TTJUC

— TOP —



Ref. Part No: No:	Description:	Ref. Part No: No:	Description:
<b>Image 1:</b>		<b>Image 1:</b>	
9	7009559	112	7009481
	PLATE FINNED COIL HEAT EXCH. ASSY. (M3, M4, M5, M6)		SUPPORT (M3, M4, M5, M6)
58	7009517	113	7009588
	PROPELLER FAN ASSY. (M3, M4, M5, M6)		BELL MOUTH (M3, M4, M5, M6)
59	057178J	114	7009538
	HEX. SOCKET SCREW (M3, M4, M5, M6)		BRACKET (M3, M4, M5, M6)
60	7009549	115	7009539
	EL. COMPO. BOX COVER ASSY. (M3, M4, M5, M6)		TOP PLATE ASSY. (M3, M4, M5, M6)
61	5009816	116	7009540
	INSULATION SHEET (TF RUBBER) (M3, M4, M5, M6)		PROTECTION NET (FRONT) (M3, M4, M5, M6)
62	2130503	117	042396J
	INSULATION SHEET (M3, M4, M5, M6)		FITTING SPRING/ THERMISTOR (M3, M4, M5, M6)
63	7009438	118	7009541
	PRINTED CIRCUIT ASSY. (MAIN) (M3, M4, M5, M6)		COVER/ SWITCH BOX (M3, M4, M5, M6)
64	1996243	119	1287778
	PRINTED CIRCUIT ASSY. (NOISE FILTER) (M3, M4, M5, M6)		INSPECTION HOLE (M3, M4, M5, M6)
65	7009569	122	7009486
	PRINTED CIRCUIT ASSY. (INVERTER) (M3, M4, M5, M6)		HEX. HEAD TAPPING SCREW (M3, M4, M5, M6)
66	380401	123	1198397
	LOCKING CARD SPACER (M3, M4, M5, M6)		GROUNDING TERMINAL (M3, M4, M5, M6)
67	7009587	126	1657632
	SET PLATE/ IMPLEMENT (M3, M4, M5, M6)		THERMAL INSULATION TUBE (M3, M4, M5, M6)
68	076430J	127	493462
	FIN THERMISTOR (M3, M4, M5, M6)		TAPPING SCREW (M3, M4, M5, M6)
69	7009570	128	025047J
	PRINTED CIRCUIT ASSY. (FAN INVERTER) (M3, M4, M5, M6)		HEX. HEAD TAPPING SCREW (M3, M4, M5, M6)
70	380401	129	356556
	LOCKING CARD SPACER (M3, M4, M5, M6)		HEX. TAPPING SCREW (M3, M4, M5, M6)
71	7009520	158	7009524
	SET PLATE/ INVERTER (M3, M4, M5, M6)		EL. COMPO. MOUNTING PLATE (INVERTER) (M3, M4, M5, M6)
72	7009571		
	PRINTED CIRCUIT (INVERTER) (M3, M4, M5, M6)		
73	2103811		
	PRINTED CIRCUIT (FAN) (M3, M4, M5, M6)		
74	2103835		
	PRINTED CIRCUIT (FAN) (M3, M4, M5, M6)		
75	7009590		
	INSULATION SHEET (M3, M4, M5, M6)		
76	1716788		
	PRINTED CIRCUIT ASSY. (ABC I/P) (M3, M4, M5, M6)		
77	5009487		
	REACTOR (M3, M4, M5, M6)		
78	7009522		
	TERMINAL BLOCK (M3, M4, M5, M6)		
79	2093798		
	WIRE HARNESS ASSY. (M3, M4, M5, M6)		
80	4008841		
	FERRITE CORE (M3, M4, M5, M6)		
81	7009572		
	WIRE HARNESS ASSY. (COMP.) (M3, M4, M5, M6)		
82	064527J		
	LINE FILTER (M3, M4, M5, M6)		
83	7009573		
	WIRE HARNESS ASSY. (COMP.) (M3, M4, M5, M6)		
84	064527J		
	LINE FILTER (M3, M4, M5, M6)		
85	2093318		
	WIRE HARNESS (M3, M4, M5, M6)		
86	2093332		
	WIRE HARNESS (M3, M4, M5, M6)		
87	1782095		
	THERMISTOR (AIR A1P) ASSY. (M3, M4, M5, M6)		
88	1352348		
	CONNECTOR/ SHORT CIRCUIT (M3, M4, M5, M6)		
89	2117168		
	CURRENT TRANSFORMER (M3, M4, M5, M6)		
90	7009525		
	SET PLATE/ IMPLEMENT USE (M3, M4, M5, M6)		
91	7009526		
	PCB MOUNTING PLATE (M3, M4, M5, M6)		
92	7009527		
	MOUNTING PLATE (THERMISTOR) (M3, M4, M5, M6)		
93	066578J		
	CUP WASHER (M3, M4, M5, M6)		
94	080714J		
	GROUNDING TERMINAL (M3, M4, M5, M6)		
95	7009529		
	EL. COMPO. MOUNTING PLATE (M3, M4, M5, M6)		
96	380401		
	LOCKING CARD SPACER (M3, M4, M5, M6)		
97	5009496		
	THERMISTOR ASSY. (M3, M4, M5, M6)		
98	5009498		
	THERMISTOR ASSY. (M3, M4, M5, M6)		
99	1752715		
	DC FAN MOTOR (M3, M4, M5, M6)		
100	7009574		
	BOTTOM FRAME (M3, M4, M5, M6)		
101	7009531		
	FRONT PLATE (UPPER) (M3, M4, M5, M6)		
102	7009471		
	SIDE PLATE (UPPER) (M3, M4, M5, M6)		
103	7009532		
	FRONT PLATE (M3, M4, M5, M6)		
104	7009533		
	FRONT PLATE (BOTTOM) (M3, M4, M5, M6)		
105	7009534		
	MOTOR MOUNTING PLATE (M3, M4, M5, M6)		
106	7009475		
	MOTOR MOUNTING PLATE (M3, M4, M5, M6)		
107	7009536		
	STAY ASSY. (FRONT) (M3, M4, M5, M6)		
108	7009537		
	STAY (REAR) (M3, M4, M5, M6)		
109	7009478		
	STAY (RIGHT/ LEFT) (M3, M4, M5, M6)		
110	7009479		
	REINFORCED PLATE (M3, M4, M5, M6)		
111	7009480		
	SIDE PLATE (M3, M4, M5, M6)		

**Expanded Model Nomenclature**

M1 - RXYQ120TTJU
M2 - RXYQ120TTJUC
M3 - RXYQ144TTJU
M4 - RXYQ144TTJUC
M5 - RXYQ168TTJU
M6 - RXYQ168TTJUC
M7 - RXYQ72TTJU
M8 - RXYQ72TTJUC
M9 - RXYQ96TTJU
M10 - RXYQ96TTJUC