

RXYQ**TAY(C/D)U VRV Air Cooled Heat Pump System

RXYQ120TAYCU
RXYQ120TAYDU
RXYQ144TAYCU
RXYQ144TAYDU
RXYQ168TAYCU
RXYQ168TAYDU
RXYQ72TAYCU
RXYQ72TAYDU
RXYQ96TAYCU
RXYQ96TAYDU



This manual is to be used by qualified technicians only.

Important Information

Index

| | |
|------------------------------|--------|
| Functional Parts List | 3 |
| Illustration and Parts | 4 - 23 |

Views shown are for parts illustrations only, not servicing procedures

Text Codes:

AR - As Required

NA - Not Available

NS - Not Shown

00000000 - See Note

QTY - Quantity Example (QTY 3) (If Quantity not shown, Quantity = 1)

M - Model Example (M1) (If M Code not shown, then part is used on all Models)

Expanded Model Nomenclature:

| |
|---|
| Example M1 - Model#1 M2 - Model#2 M3 - Model#3 |
|---|

Daikin North America, LLC is not responsible for personal injury or property damage resulting from improper service. Review all service information before beginning repairs.

Warranty service must be performed by an authorized technician, using authorized factory parts. If service is required after the warranty expires, Daikin North America, LLC also recommends contacting an authorized technician and using authorized factory parts.

Daikin North America, LLC reserves the right to discontinue, or change at any time, specifications or designs without notice or without incurring obligations.

For assistance within the U.S.A. contact:

Homeowner Support
Daikin North America, LLC
19001 Kermier Road
Waller, Texas 77484
855-770-5678-Telephone
713-863-2382-Facsimile

For assistance outside the U.S.A. contact:

International Division
Daikin North America, LLC
19001 Kermier Road
Waller, Texas 77484
713-861-2500-Telephone
713-863-2382-Facsimile

Functional Parts

Part No:

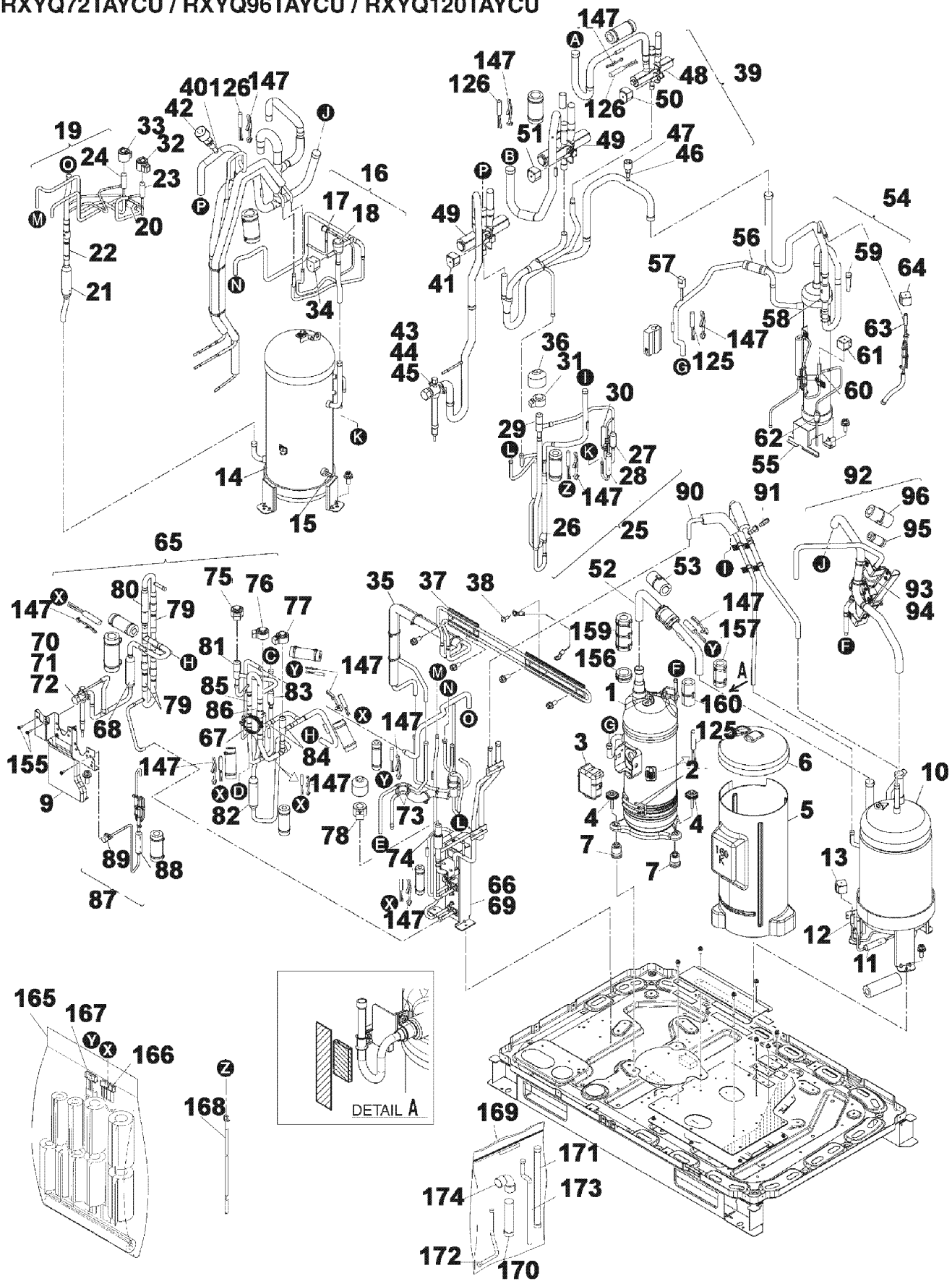
Description:

| Part No: | Description: | Part No: | Description: |
|----------|---|----------|---|
| 5009794 | BODY/ FOUR WAY VALVE (M2, M8, M10) | 7009637 | PRINTED CIRCUIT ASSY. (FAN) (M1, M3, M5, M7, M9) |
| 159972J | CHECK VALVE (M1, M3, M5, M7, M9) | 4012547 | PRINTED CIRCUIT ASSY. (FAN) (M8) |
| 1086083 | CHECK VALVE (M1, M3, M5, M7, M9) | 7009581 | PRINTED CIRCUIT ASSY. (INVERTER) (M4, M6) |
| 107638J | CHECK VALVE (M1, M3, M5, M7, M9) | 7009636 | PRINTED CIRCUIT ASSY. (INVERTER) (M1, M7, M9) |
| 1599729 | CHECK VALVE (M4, M6, M8) | 7009681 | PRINTED CIRCUIT ASSY. (INVERTER) (M3, M5) |
| 2008769 | CHECK VALVE (M2, M10) | 7009552 | PRINTED CIRCUIT ASSY. (INVERTER) (M2, M10) |
| 2103479 | CHECK VALVE (M1, M7, M9) | 7009579 | PRINTED CIRCUIT ASSY. (INVERTER) (M4, M6) |
| 2311845 | CHECK VALVE (M3, M5) | 4012544 | PRINTED CIRCUIT ASSY. (NOISE FILTER) (M4, M6, M8) |
| 7009443 | COIL/ FOUR WAY VALVE (M2, M8, M10) | 7009551 | PRINTED CIRCUIT ASSY. (NOISE FILTER) (M2, M10) |
| 7009598 | CRANK CASE HEATER (M1, M3, M5, M7, M9) | 7009555 | PRINTED CIRCUIT ASSY. (NOISE FILTER) (M2, M10) |
| 5009473 | CRANKCASE HEATER (M2, M4, M6, M8, M10) | 7009635 | PRINTED CIRCUIT ASSY. (NOISE FILTER) (M1, M3, M5, M7, M9) |
| 5009474 | CRANKCASE HEATER (M4, M6) | 7009634 | PRINTED CIRCUIT ASSY. (NOISE FILTER) (M1, M3, M5, M7, M9) |
| 5009492 | CURRENT SENSOR (M8) | 7500014 | PRINTED CIRCUIT ASSY. (SUB) (M1, M3, M5, M7, M9) |
| 2117168 | CURRENT TRANSFORMER (M1, M2, M3, M4, M5, M6, M7, M9, M10) | 7009593 | SCROLL COMPRESSOR (M1, M7, M9) |
| 7009643 | DC FAN MOTOR (M1, M3, M5, M7, M9) | 7009494 | SCROLL COMPRESSOR (M4, M6, M8) |
| 7009558 | EL. COMPO. ASSY. (TRANSFORMER) (M2, M4, M6, M10) | 7009548 | SCROLL COMPRESSOR (M2, M10) |
| 7009502 | EL. COMPO. ASSY. (TRANSFORMER) (M8) | 7009663 | SCROLL COMPRESSOR (M3, M5) |
| 4012441 | FAN MOTOR (M8) | 2103455 | STOP VALVE (M1, M3, M5, M7, M9) |
| 4012442 | FAN MOTOR (M2, M4, M6, M10) | 2104681 | STOP VALVE (M2, M4, M6) |
| 7009455 | FUSIBLE PLUG ASSY. (QTY 2) | 2114424 | STOP VALVE (M8, M10) |
| 1944437 | GAUGE JOINT WITH CHECK VALVE (M1, M3, M5, M7, M9) | 7009522 | TERMINAL BLOCK (M1, M7, M9) |
| 1541845 | GAUGE JOINT WITH CHECK VALVE (M2, M4, M6, M8, M10) | 7009640 | THERMISTOR (AIR A1P) (M1, M3, M5, M7, M9) |
| 2226916 | HIGH PRESSURE SENSOR (M8) | 1782095 | THERMISTOR (AIR A1P) ASSY. (M2, M4, M6, M10) |
| 7009604 | HIGH PRESSURE SENSOR (M1, M3, M5, M7, M9) | 4012552 | THERMISTOR (AIR) (M8) |
| 151137J | HIGH PRESSURE SENSOR (M2, M4, M6, M10) | 7009662 | THERMISTOR (RECEIVER GAS PURGE) (M1, M7, M9) |
| 7009449 | HIGH PRESSURE SWITCH (M2, M4, M6, M8, M10) | 7009683 | THERMISTOR ASSY. (M3, M5) |
| 7009608 | HIGH PRESSURE SWITCH (M1, M3, M5, M7, M9) | 7009652 | THERMISTOR ASSY. (M1, M3, M5, M7, M9) |
| 7009503 | LOW FREQUENCY TRANSFORMER (M2, M4, M6, M8, M10) | 7009645 | THERMISTOR ASSY. (M1, M3, M5, M7, M9) |
| 7009639 | LOW FREQUENCY TRANSFORMER (M1, M3, M5, M7, M9) | 7009644 | THERMISTOR ASSY. (M1, M7, M9) |
| 1434101 | LOW PRESSURE SENSOR (M8) | 5009494 | THERMISTOR ASSY. (M8) |
| 151140J | LOW PRESSURE SENSOR (M2, M4, M6, M10) | 5009496 | THERMISTOR ASSY. (M2, M4, M6, M10) |
| 7009603 | LOW PRESSURE SENSOR (M1, M3, M5, M7, M9) | 5009497 | THERMISTOR ASSY. (M2, M10) |
| 159973J | PRESSURE CONTROL VALVE (M2, M4, M6, M10) | 5009498 | THERMISTOR ASSY. (M4, M6) |
| 1599736 | PRESSURE CONTROL VALVE (M8) | 7009653 | THERMISTOR ASSY. (M1, M3, M5, M7, M9) |
| 7009625 | PRESSURE CONTROL VALVE (M1, M3, M5, M7, M9) | | |
| 7009556 | PRINTED CIRCUIT (OPEN PHASE PROTECTION) (M2, M10) | | |
| 7009439 | PRINTED CIRCUIT ASSY. (M2, M4, M6, M8, M10) | | |
| 2397375 | PRINTED CIRCUIT ASSY. (M1, M3, M5, M7, M9) | | |
| 1716788 | PRINTED CIRCUIT ASSY. (ABC I/P) | | |
| 7009554 | PRINTED CIRCUIT ASSY. (CURRENT LIMITING) (M2, M10) | | |
| 4012621 | PRINTED CIRCUIT ASSY. (FAN) (M2, M4, M6, M10) | | |
| 4012622 | PRINTED CIRCUIT ASSY. (FAN) (M2, M4, M6, M10) | | |

Expanded Model Nomenclature

| |
|-------------------|
| M1 - RXYQ120TAYCU |
| M2 - RXYQ120TAYDU |
| M3 - RXYQ144TAYCU |
| M4 - RXYQ144TAYDU |
| M5 - RXYQ168TAYCU |
| M6 - RXYQ168TAYDU |
| M7 - RXYQ72TAYCU |
| M8 - RXYQ72TAYDU |
| M9 - RXYQ96TAYCU |
| M10 - RXYQ96TAYDU |

| Ref. Part No: No: | Description: | Ref. Part No: No: | Description: | |
|-------------------|--------------|---|------------------------------------|--------------------------------------|
| Image 1: | | Image 1: | | |
| 8 | 7009599 | PLATE FINNED COIL HEAT EXCH. ASSY. (M1, M7, M9) | 149 128777J | INSPECTION HOLE (M1, M7, M9) |
| 97 | 7009517 | PROPELLER FAN ASSY. (M1, M7, M9) | 150 119839J | TAPPING SCREW (M1, M7, M9) |
| 98 | 057178J | HEX. SOCKET SCREW (M1, M7, M9) | 151 7009471 | SIDE PLATE (UPPER) (M1, M7, M9) |
| 99 | 7009631 | SWITCH BOX ASSY. (M1, M7, M9) | 152 7009493 | TAPPING SCREW (M1, M7, M9) |
| 100 | 7009635 | PRINTED CIRCUIT ASSY. (NOISE FILTER) (M1, M7, M9) | 153 025047J | HEX. HEAD TAPPING SCREW (M1, M7, M9) |
| 101 | 7009636 | PRINTED CIRCUIT ASSY. (INVERTER) (M1, M7, M9) | 154 035655J | HEX. TAPPING SCREW (M1, M7, M9) |
| 102 | 7009637 | PRINTED CIRCUIT ASSY. (FAN) (M1, M7, M9) | 158 7009532 | FRONT PLATE (M1, M7, M9) |
| 103 | 7500014 | PRINTED CIRCUIT ASSY. (SUB) (M1, M7, M9) | 161 7009533 | FRONT PLATE (BOTTOM) (M1, M7, M9) |
| 104 | 1716788 | PRINTED CIRCUIT ASSY. (ABC I/P) (M1, M7, M9) | 162 7009534 | MOTOR MOUNTING PLATE (M1, M7, M9) |
| 105 | 7009638 | REACTOR (M1, M7, M9) | 163 7009536 | STAY ASSY. (FRONT) (M1, M7, M9) |
| 106 | 7009639 | LOW FREQUENCY TRANSFORMER (M1, M7, M9) | 164 7009537 | STAY (REAR) (M1, M7, M9) |
| 107 | 7009522 | TERMINAL BLOCK (M1, M7, M9) | 175 7009692 | BRAND NAME LABEL (M1, M7, M9) |
| 108 | 2117168 | CURRENT TRANSFORMER (M1, M7, M9) | Expanded Model Nomenclature | |
| 109 | 7009640 | THERMISTOR (AIR A1P) (M1, M7, M9) | M1 - RXYQ120TAYCU | |
| 110 | 7009632 | EL. COMPO. MOUNTING PLATE (INVERTER) (M1, M7, M9) | M2 - RXYQ120TAYDU | |
| 111 | 1933413 | CONNECTOR/ SHORT CIRCUIT (M1, M7, M9) | M3 - RXYQ144TAYCU | |
| 112 | 7009642 | WIRE HARNESS ASSY. (COMP.) (M1, M7, M9) | M4 - RXYQ144TAYDU | |
| 113 | 135234J | CONNECTOR/ SHORT CIRCUIT (M1, M7, M9) | M5 - RXYQ168TAYCU | |
| 114 | 2233712 | CONNECTOR (M1, M7, M9) | M6 - RXYQ168TAYDU | |
| 115 | 7009525 | SET PLATE/ IMPLEMENT USE (M1, M7, M9) | M7 - RXYQ72TAYCU | |
| 116 | 380401J | LOCKING CARD SPACER (M1, M7, M9) | M8 - RXYQ72TAYDU | |
| 117 | 2010250 | WIRE CLIP (M1, M7, M9) | M9 - RXYQ96TAYCU | |
| 118 | 027843J | WIRE CLIP (M1, M7, M9) | M10 - RXYQ96TAYDU | |
| 119 | 0207661 | LOCKING WIRE SADDLE (M1, M7, M9) | | |
| 120 | 7500045 | PAN HEAD MACHINE SCREW (M1, M7, M9) | | |
| 121 | 066578J | CUP WASHER (M1, M7, M9) | | |
| 122 | 080714J | EARTH TERMINAL SCREW (M1, M7, M9) | | |
| 123 | 7009526 | PCB MOUNTING PLATE (M1, M7, M9) | | |
| 124 | 7009643 | DC FAN MOTOR (M1, M7, M9) | | |
| 125 | 7009644 | THERMISTOR ASSY. (M1, M7, M9) | | |
| 126 | 7009645 | THERMISTOR ASSY. (M1, M7, M9) | | |
| 127 | NA | GREASE ASSY. (M1, M7, M9) | | |
| 128 | 7009529 | EL. COMPO. MOUNTING PLATE (M1, M7, M9) | | |
| 129 | 7009527 | MOUNTING PLATE (THERMISTOR) (M1, M7, M9) | | |
| 130 | 7500082 | SET PLATE/ IMPLEMENT USE (ABC) (M1, M7, M9) | | |
| 131 | 2397375 | PRINTED CIRCUIT ASSY. (M1, M7, M9) | | |
| 132 | 7009634 | PRINTED CIRCUIT ASSY. (NOISE FILTER) (M1, M7, M9) | | |
| 133 | 7009530 | BOTTOM FRAME (M1, M7, M9) | | |
| 134 | 7009478 | STAY (RIGHT/ LEFT) (M1, M7, M9) | | |
| 135 | 7009479 | REINFORCED PLATE (M1, M7, M9) | | |
| 136 | 7009480 | SIDE PLATE (M1, M7, M9) | | |
| 137 | 7009481 | SUPPORT (M1, M7, M9) | | |
| 138 | 7009588 | BELL MOUTH (M1, M7, M9) | | |
| 139 | 7009538 | BRACKET (M1, M7, M9) | | |
| 140 | 7009539 | TOP PLATE ASSY. (M1, M7, M9) | | |
| 141 | 7500121 | DISCHARGE GRILLE (M1, M7, M9) | | |
| 142 | 7009531 | FRONT PLATE (UPPER) (M1, M7, M9) | | |
| 143 | 7009540 | PROTECTION NET (FRONT) (M1, M7, M9) | | |
| 144 | 7009646 | PROTECTION NET (LEFT) (M1, M7, M9) | | |
| 145 | 7009647 | PROTECTION NET (RIGHT) (M1, M7, M9) | | |
| 146 | 7009648 | PROTECTION NET (BACK) (M1, M7, M9) | | |
| 147 | 042396J | FITTING SPRING/ THERMISTOR (M1, M7, M9) | | |
| 148 | 7009541 | COVER/ SWITCH BOX (M1, M7, M9) | | |



| Ref. Part No: No: | Description: | Ref. Part No: No: | Description: | |
|-------------------|--------------|-------------------|--------------|--|
| Image 1: | | Image 1: | | |
| 1 | 7009593 | 46 | 1944437 | GAUGE JOINT WITH CHECK VALVE (M1, M7, M9) |
| 2 | 7009598 | 47 | 7009604 | HIGH PRESSURE SENSOR (M1, M7, M9) |
| 3 | 7009594 | 48 | 2119861 | BODY/ FOUR WAY VALVE (HEAT EXC. UPPER) (M1, M7, M9) |
| 4 | 2311775 | | | |
| | | 49 | 6019596 | BODY/ FOUR WAY VALVE (M1, M7, M9) |
| 5 | 2278885 | 50 | 7500059 | COIL/ FOUR WAY VALVE (HEAT EXC. UPPER) (M1, M7, M9) |
| 6 | 2278892 | 51 | 7500060 | COIL/ FOUR WAY VALVE (HEAT EXC. LOWER) (M1, M7, M9) |
| 7 | 2279143 | 52 | NA | SUCTION PIPE ASSY. (M1, M7, M9) |
| 9 | 7500035 | 53 | 2317139 | WEIGHT (M1, M7, M9) |
| 10 | 7009621 | 54 | NA | DISCHARGE PIPE ASSY. (M1, M7, M9) |
| 11 | 232005J | 55 | 7009607 | OIL SEPARATOR ASSY. (M1, M7, M9) |
| 12 | 2165972 | 56 | 2311799 | WEIGHT (M1, M7, M9) |
| | | 57 | 7009608 | HIGH PRESSURE SWITCH (M1, M7, M9) |
| 13 | 7009622 | 58 | 2103479 | CHECK VALVE (M1, M7, M9) |
| | | 59 | 2096331 | REFRIGERANT STRAINER (M1, M7, M9) |
| 14 | 7009623 | 60 | 2165965 | BODY/ SOLENOID VALVE (OS OIL RETURN 1) (M1, M7, M9) |
| 15 | 7009455 | | | |
| 16 | NA | 61 | 7500071 | COIL/ SOLENOID VALVE (OS OIL RETURN 1) (M1, M7, M9) |
| 17 | 7009625 | | | |
| 18 | 147657J | 62 | 4012537 | FILTER (M1, M7, M9) |
| | | 63 | 2165972 | BODY/ SOLENOID VALVE (HOT GAS BYPASS) (M1, M7, M9) |
| 19 | NA | | | |
| 20 | 2113337 | 64 | 7500070 | COIL/ SOLENOID VALVE (HOT GAS BYPASS) (M1, M7, M9) |
| 21 | 012000J | | | |
| 22 | 1086083 | 65 | NA | LIQUID PIPE ASSY. (M1, M7, M9) |
| 23 | 2233628 | 66 | NA | PLATE HEAT EXCHANGER ASSY. (M1, M7, M9) |
| | | 67 | NA | CAPILLARY TUBE (M1, M7, M9) |
| 24 | 2204606 | 68 | 231501J | REFRIGERANT FILTER (M1, M7, M9) |
| | | 69 | 2305439 | PLATE HEAT EXCHANGER (M1, M7, M9) |
| 25 | NA | 70 | NA | STOP VALVE ASSY. (LIQUID) (M1, M7, M9) |
| 26 | 7500077 | 71 | 2103455 | STOP VALVE (M1, M7, M9) |
| 27 | 2113344 | 72 | 143584J | CAP/ STOP VALVE (M1, M7, M9) |
| 28 | 232005J | 73 | 1505111 | PIPE CLAMP PLATE (M1, M7, M9) |
| 29 | 1996469 | 74 | 1801415 | BODY/ ELECTRONIC EXP. VALVE (INJECTION) (M1, M7, M9) |
| | | | | |
| 30 | NA | 75 | 7009611 | COIL/ ELECTRONIC EXP. VALVE (LEAK DETECTION) (M1, M7, M9) |
| 31 | 7009628 | 76 | 7009612 | COIL/ ELECTRONIC EXP. VALVE (HEAT EXC. UPPER) (M1, M7, M9) |
| | | 77 | 7009613 | COIL/ ELECTRONIC EXP. VALVE (HEAT EXC. LOWER) (M1, M7, M9) |
| 32 | 7009629 | 78 | 7009614 | COIL/ ELECTRONIC EXP. VALVE (INJECTION) (M1, M7, M9) |
| | | 79 | 1086083 | CHECK VALVE (M1, M7, M9) |
| 33 | 7009630 | 80 | 159972J | CHECK VALVE (M1, M7, M9) |
| | | 81 | 1996469 | BODY/ ELECTRONIC EXP. VALVE (LEAK DETECTION) (M1, M7, M9) |
| 34 | 7500080 | | | |
| 35 | NA | 82 | 231501J | REFRIGERANT FILTER (M1, M7, M9) |
| 36 | 0650304 | 83 | 2113344 | FILTER (FOR REF.) (M1, M7, M9) |
| 37 | 7009601 | 84 | 1996469 | BODY/ ELECTRONIC EXP. VALVE (M1, M7, M9) |
| 38 | 2103633 | 85 | 107638J | CHECK VALVE (M1, M7, M9) |
| 39 | NA | 86 | 1086083 | CHECK VALVE (M1, M7, M9) |
| 40 | 1944437 | 87 | NA | REFRIGERANT PIPE ASSY. (M1, M7, M9) |
| 41 | 7500061 | 88 | 232005J | REFRIGERANT FILTER (M1, M7, M9) |
| | | 89 | 7009616 | SERVICE PORT ASSY. (M1, M7, M9) |
| 42 | 7009603 | 90 | NA | REFRIGERANT PIPE ASSY. (M1, M7, M9) |
| 43 | NA | | | |
| 44 | 2127901 | | | |
| 45 | 2116831 | | | |

| Ref. Part No: No: | Description: | Ref. Part No: No: | Description: |
|-------------------|--------------|-------------------|--------------|
|-------------------|--------------|-------------------|--------------|

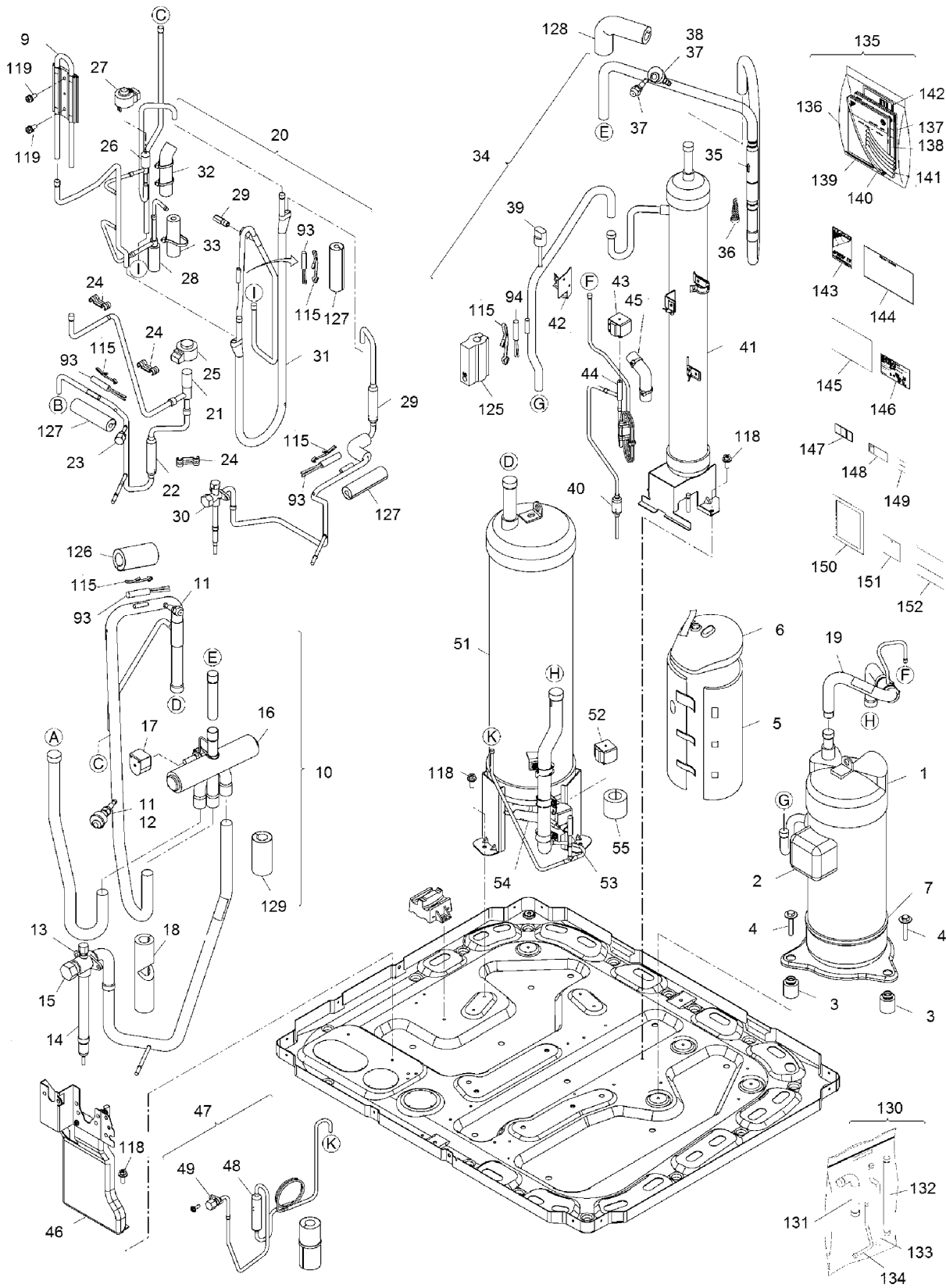
Image 1:

| | | |
|-----|---------|--|
| 91 | 7009455 | FUSIBLE PLUG ASSY. (M1, M7, M9) |
| 92 | NA | SUCTION PIPE ASSY. (1) (M1, M7, M9) |
| 93 | NA | MUFFLER ASSY. (M1, M7, M9) |
| 94 | 042452J | MUFFLER (M1, M7, M9) |
| 95 | 7009620 | WEIGHT (M1, M7, M9) |
| 96 | 2317139 | WEIGHT (M1, M7, M9) |
| 125 | 7009644 | THERMISTOR ASSY. (M1, M7, M9) |
| 126 | 7009645 | THERMISTOR ASSY. (M1, M7, M9) |
| 147 | 042396J | FITTING SPRING/ THERMISTOR (M1, M7, M9) |
| 155 | 035654J | HEX. SOCKET SCREW (M1, M7, M9) |
| 156 | 6026549 | WEIGHT (M1, M7, M9) |
| 157 | 7009680 | WEIGHT ASSY. (M1, M7, M9) |
| 159 | 7009678 | WEIGHT (M1, M7, M9) |
| 160 | 2317139 | WEIGHT (M1, M7, M9) |
| 165 | NA | ACCESSORY SET (3) (M1, M7, M9) |
| 166 | 7009652 | THERMISTOR ASSY. (M1, M7, M9) |
| 167 | 7009653 | THERMISTOR ASSY. (M1, M7, M9) |
| 168 | 7009662 | THERMISTOR (RECEIVER GAS PURGE) (M1, M7, M9) |
| 169 | NA | ACCESSORIES ASSY. (M1, M7, M9) |
| 170 | 7009542 | AUXILIARY PIPE (GAS SIDE FRONT) (M1) |
| 170 | 7500052 | AUXILIARY PIPE (GAS SIDE FRONT) (M7) |
| 170 | 7500090 | AUXILIARY PIPE (GAS SIDE FRONT) (M9) |
| 171 | 7009544 | AUXILIARY PIPE (GAS SIDE BOTTOM) (M1) |
| 171 | 7500053 | AUXILIARY PIPE (GAS SIDE BOTTOM) (M7) |
| 171 | 7500091 | AUXILIARY PIPE (GAS SIDE BOTTOM) (M9) |
| 172 | 7009576 | AUXILIARY PIPE (LIQUID SIDE FRONT) (M1) |
| 172 | 7500096 | AUXILIARY PIPE (LIQUID SIDE FRONT) (M7, M9) |
| 173 | 7009578 | AUXILIARY PIPE (LIQUID SIDE BOTTOM) (M1) |
| 173 | 7500097 | AUXILIARY PIPE (LIQUID SIDE BOTTOM) (M7, M9) |
| 174 | 1799257 | L-TYPE JOINT (M1, M7, M9) |

Expanded Model Nomenclature

| |
|-------------------|
| M1 - RXYQ120TAYCU |
| M2 - RXYQ120TAYDU |
| M3 - RXYQ144TAYCU |
| M4 - RXYQ144TAYDU |
| M5 - RXYQ168TAYCU |
| M6 - RXYQ168TAYDU |
| M7 - RXYQ72TAYCU |
| M8 - RXYQ72TAYDU |
| M9 - RXYQ96TAYCU |
| M10 - RXYQ96TAYDU |

RXYQ72TAYDU

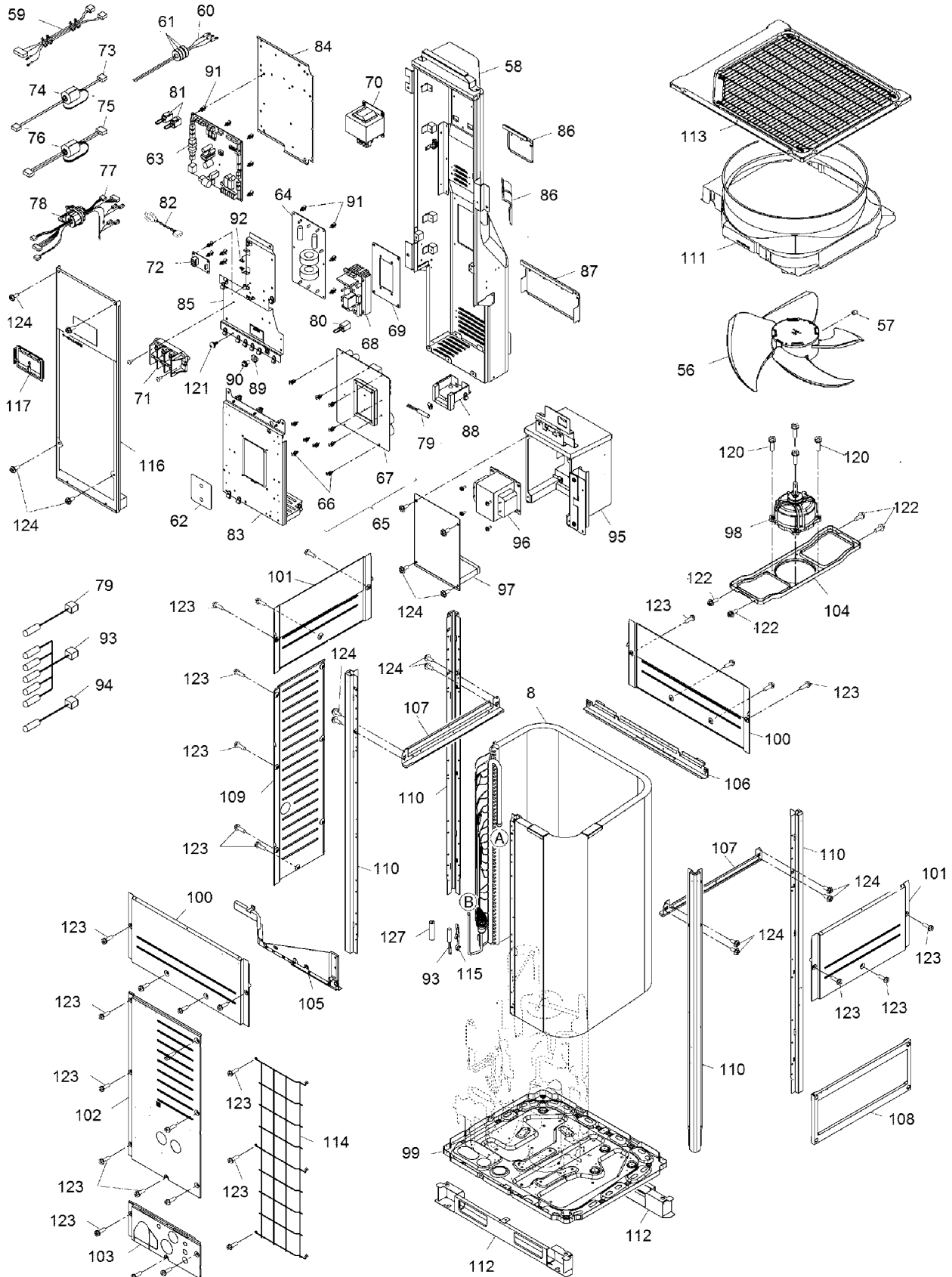


| Ref. Part No: No: | Description: | Ref. Part No: No: | Description: | |
|-------------------|--------------|-------------------|--------------|--|
| Image 1: | | Image 1: | | |
| 1 | 7009494 | 93 | 5009494 | THERMISTOR ASSY. (M8) |
| 2 | 1874305 | 94 | 2113623 | THERMISTOR (M1C DISCHARGE) ASSY. (M8) |
| 3 | 1278109 | 115 | 0423968 | FITTING SPRING/ THERMISTOR (M8) |
| 4 | 1625318 | 118 | NA | HEX. HEAD TAPPING SCREW (M8) |
| 5 | 5009776 | 119 | 4012540 | HEX. BOLT (M8) |
| 6 | 5009778 | 125 | 1281530 | THERMAL INSULATION (M8) |
| 7 | 5009473 | 126 | 0550459 | INSULATION TUBE/ LIQUID LINE (M8) |
| 9 | 7009495 | 127 | 1082207 | HEAT INSULATION TUBE (M8) |
| 10 | 7009442 | 128 | NA | THERMAL INSULATION TUBE (M8) |
| 11 | 1541845 | 129 | 4012254 | THERMAL INSULATION TUBE (M8) |
| 12 | 1434101 | 130 | NA | ACCESSORIES ASSY. (M8) |
| 13 | 6019595 | 131 | 7009488 | AUXILIARY PIPE (GAS SIDE FRONT) (M8) |
| 14 | 2114424 | 132 | 7009489 | AUXILIARY PIPE (GAS SIDE BOTTOM) (M8) |
| 15 | 2116831 | 133 | 7009490 | AUXILIARY PIPE (LIQUID SIDE FRONT) (M8) |
| 16 | 5009794 | 134 | 7009491 | AUXILIARY PIPE (LIQUID SIDE BOTTOM) (M8) |
| 17 | 7009443 | 135 | NA | ACCESSORY SET (LABEL) (M8) |
| 18 | NA | 136 | 0311142 | ACCESSORIES BAG (M8) |
| 19 | 7009444 | 137 | NA | INSTALLATION MANUAL (M8) |
| 20 | 7009445 | 138 | NA | INSTALLATION MANUAL (M8) |
| 21 | 1996469 | 139 | 980774 | TIE WRAP (M8) |
| 22 | 5009807 | 140 | 980772 | CLAMP/ LEAD WIRE (M8) |
| 23 | NA | 141 | 1997424 | ELECTRIC INSULATION (M8) |
| 24 | 1505111 | 142 | NA | ADDITIONAL REFR. CHARGE LABEL (M8) |
| 25 | 7009446 | 143 | NA | BRAND NAME LABEL (NORMAL) (M8) |
| 26 | 5009795 | 144 | NA | ELECTRIC WIRING DIAGRAM LABEL (M8) |
| | | 145 | NA | OPERATION NAME PLATE (M8) |
| 27 | 7009447 | 146 | NA | COLLECTIVE INDICATIONS LABEL (M8) |
| | | 147 | 4010207 | LABEL (WARNING) (M8) |
| 28 | 1599736 | 148 | NA | CAUTION LABEL (ROTATING) (M8) |
| 29 | 5009807 | 149 | NA | CAUTION LABEL (BURN) (M8) |
| 30 | 6019597 | 150 | NA | CAUTION LABEL (TRANSPORT CLAMP) (M8) |
| 31 | 5009792 | 151 | NA | CAUTION LABEL (M8) |
| 32 | 2225379 | 152 | NA | CAUTION LABEL (COVER SW BOX) (M8) |
| 33 | 4012783 | | | |
| 34 | 7009448 | | | |
| 35 | 1599729 | | | |
| 36 | 5009809 | | | |
| 37 | 1541845 | | | |
| 38 | 2226916 | | | |
| 39 | 7009449 | | | |
| 40 | 5009808 | | | |
| 41 | 7009450 | | | |
| 42 | 2113382 | | | |
| 43 | 7009451 | | | |
| 44 | 2165965 | | | |
| 45 | NA | | | |
| 46 | 7009452 | | | |
| 47 | 7009453 | | | |
| 48 | 232005 | | | |
| 49 | 7009454 | | | |
| 50 | 7009455 | | | |
| 51 | 7009456 | | | |
| 52 | 7009457 | | | |
| 53 | 2165972 | | | |
| 54 | 232005 | | | |
| 55 | NA | | | |

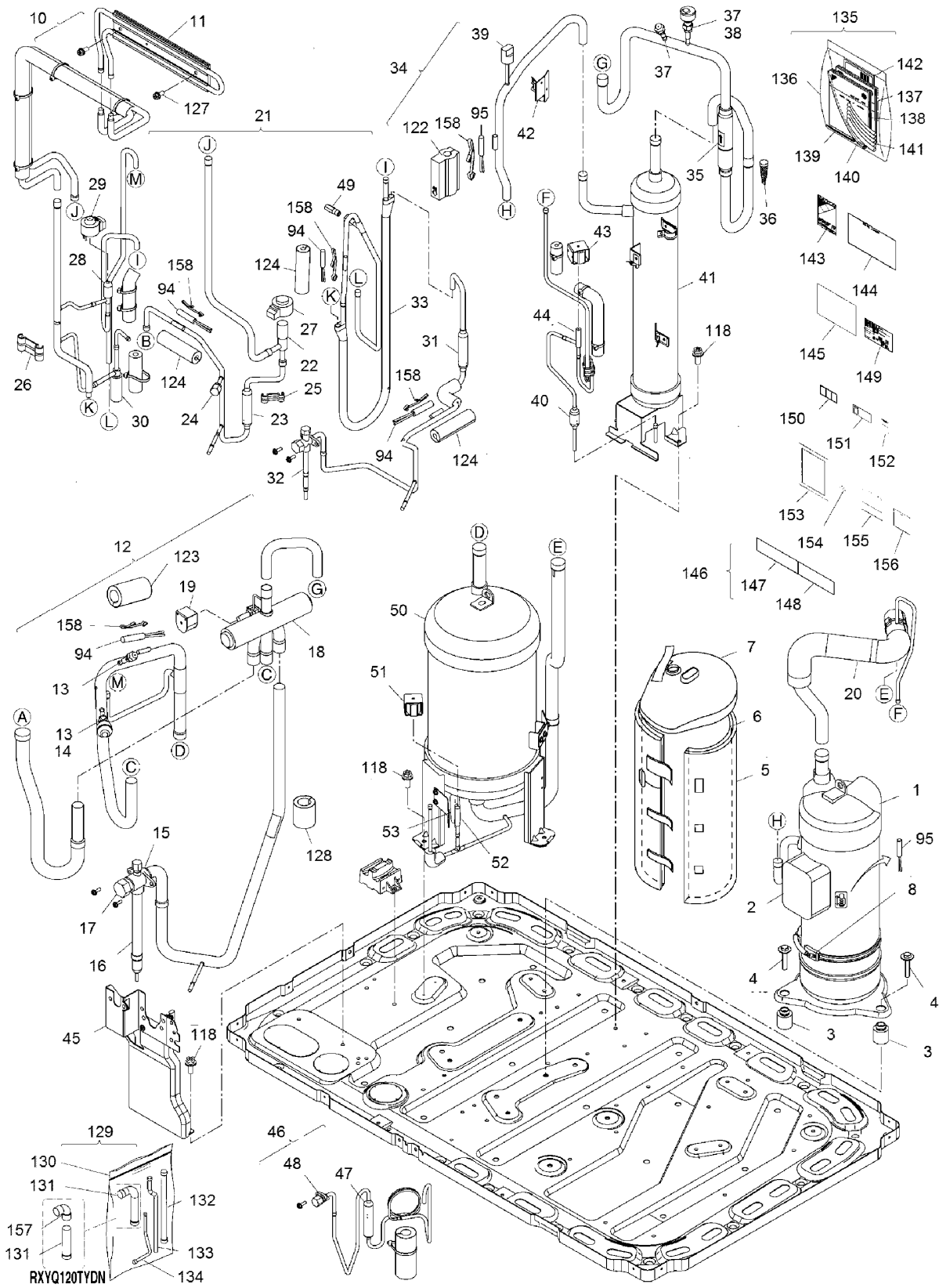
Expanded Model Nomenclature

| |
|-------------------|
| M1 - RXYQ120TAYCU |
| M2 - RXYQ120TAYDU |
| M3 - RXYQ144TAYCU |
| M4 - RXYQ144TAYDU |
| M5 - RXYQ168TAYCU |
| M6 - RXYQ168TAYDU |
| M7 - RXYQ72TAYCU |
| M8 - RXYQ72TAYDU |
| M9 - RXYQ96TAYCU |
| M10 - RXYQ96TAYDU |

RXYQ72TAYDU



| Ref. Part No: | Part No: | Description: | Ref. Part No: | Part No: | Description: | | | | | | | | | | |
|-------------------|----------|---|--|----------|---------------------------------|-------------------|-------------------|-------------------|-------------------|-------------------|-------------------|------------------|------------------|------------------|-------------------|
| Image 1: | | | Image 1: | | | | | | | | | | | | |
| 8 | 7009440 | PLATE FINNED COIL HEAT EXCHANGER ASSY. (M8) | 115 | 0423968 | FITTING SPRING/ THERMISTOR (M8) | | | | | | | | | | |
| 56 | 7009458 | PROPELLER FAN ASSY. (M8) | 116 | 7009485 | SWITCH BOX (M8) | | | | | | | | | | |
| 57 | 0571780 | HEX. SOCKET SCREW (M8) | 117 | 1287778 | INSPECTION HOLE (M8) | | | | | | | | | | |
| 58 | 7009459 | SWITCH BOX ASSY. (M8) | 120 | 7009486 | HEX. HEAD TAPPING SCREW (M8) | | | | | | | | | | |
| 59 | 7009496 | WIRE HARNESS ASSY. (M8) | 121 | 1198397 | GROUNDING TERMINAL (M8) | | | | | | | | | | |
| 60 | 5009833 | WIRE HARNESS ASSY. (COMP.) (M8) | 122 | 0493462 | TAPPING SCREW (M8) | | | | | | | | | | |
| 61 | 1302831 | FERRITE CORE (M8) | 123 | 0250470 | HEX. HEAD TAPPING SCREW (M8) | | | | | | | | | | |
| 62 | 5009814 | INSULATION SHEET (TF RUBBER) (M8) | 124 | 0356556 | HEX. TAPPING SCREW (M8) | | | | | | | | | | |
| 63 | 7009439 | PRINTED CIRCUIT ASSY. (M8) | Expanded Model Nomenclature | | | | | | | | | | | | |
| 64 | 4012544 | PRINTED CIRCUIT ASSY. (NOISE FILTER) (M8) | <table border="1"> <tr><td>M1 - RXYQ120TAYCU</td></tr> <tr><td>M2 - RXYQ120TAYDU</td></tr> <tr><td>M3 - RXYQ144TAYCU</td></tr> <tr><td>M4 - RXYQ144TAYDU</td></tr> <tr><td>M5 - RXYQ168TAYCU</td></tr> <tr><td>M6 - RXYQ168TAYDU</td></tr> <tr><td>M7 - RXYQ72TAYCU</td></tr> <tr><td>M8 - RXYQ72TAYDU</td></tr> <tr><td>M9 - RXYQ96TAYCU</td></tr> <tr><td>M10 - RXYQ96TAYDU</td></tr> </table> | | | M1 - RXYQ120TAYCU | M2 - RXYQ120TAYDU | M3 - RXYQ144TAYCU | M4 - RXYQ144TAYDU | M5 - RXYQ168TAYCU | M6 - RXYQ168TAYDU | M7 - RXYQ72TAYCU | M8 - RXYQ72TAYDU | M9 - RXYQ96TAYCU | M10 - RXYQ96TAYDU |
| M1 - RXYQ120TAYCU | | | | | | | | | | | | | | | |
| M2 - RXYQ120TAYDU | | | | | | | | | | | | | | | |
| M3 - RXYQ144TAYCU | | | | | | | | | | | | | | | |
| M4 - RXYQ144TAYDU | | | | | | | | | | | | | | | |
| M5 - RXYQ168TAYCU | | | | | | | | | | | | | | | |
| M6 - RXYQ168TAYDU | | | | | | | | | | | | | | | |
| M7 - RXYQ72TAYCU | | | | | | | | | | | | | | | |
| M8 - RXYQ72TAYDU | | | | | | | | | | | | | | | |
| M9 - RXYQ96TAYCU | | | | | | | | | | | | | | | |
| M10 - RXYQ96TAYDU | | | | | | | | | | | | | | | |
| 65 | 7009497 | INVERTER ASSY. (M8) | | | | | | | | | | | | | |
| 66 | 4012546 | LOCKING CARD SPACER (M8) | | | | | | | | | | | | | |
| 67 | 7009498 | SET PLATE/ INVERTER (M8) | | | | | | | | | | | | | |
| 68 | 4012547 | PRINTED CIRCUIT ASSY. (FAN) (M8) | | | | | | | | | | | | | |
| 69 | 4012548 | PCB MOUNTING PLATE ASSY. (M8) | | | | | | | | | | | | | |
| 70 | 1679308 | REACTOR (M8) | | | | | | | | | | | | | |
| 71 | 0706649 | TERMINAL BLOCK (M8) | | | | | | | | | | | | | |
| 72 | 1716788 | PRINTED CIRCUIT ASSY. (ABC I/P) (M8) | | | | | | | | | | | | | |
| 73 | 7009499 | WIRE HARNESS ASSY. (M8) | | | | | | | | | | | | | |
| 74 | 1134797 | FERRITE CORE (M8) | | | | | | | | | | | | | |
| 75 | 4012542 | WIRE HARNESS ASSY. (M8) | | | | | | | | | | | | | |
| 76 | 4008841 | FERRITE CORE (M8) | | | | | | | | | | | | | |
| 77 | 7009500 | WIRE HARNESS ASSY. (FAN) (M8) | | | | | | | | | | | | | |
| 78 | 6018262 | FERRITE CORE (M8) | | | | | | | | | | | | | |
| 79 | 4012552 | THERMISTOR (AIR) (M8) | | | | | | | | | | | | | |
| 80 | 1933413 | CONNECTOR/ SHORT CIRCUIT (M8) | | | | | | | | | | | | | |
| 81 | 1352348 | CONNECTOR/ SHORT CIRCUIT (M8) | | | | | | | | | | | | | |
| 82 | 5009492 | CURRENT SENSOR (M8) | | | | | | | | | | | | | |
| 83 | 7009501 | SWITCH BOX ASSY. (M8) | | | | | | | | | | | | | |
| 84 | 7009464 | EL. COMPO. MOUNTING PLATE (PCB) (M8) | | | | | | | | | | | | | |
| 85 | 7009465 | EL. COMPO. MOUNTING PLATE (TERMINAL) (M8) | | | | | | | | | | | | | |
| 86 | 7009466 | SWITCH BOX (WATER PROOF COVER) (M8) | | | | | | | | | | | | | |
| 87 | 7009467 | SWITCH BOX (WATER PROOF COVER) (M8) | | | | | | | | | | | | | |
| 88 | 7009468 | MOUNTING PLATE (THERMISTOR) (M8) | | | | | | | | | | | | | |
| 89 | 0665786 | CUP WASHER (M8) | | | | | | | | | | | | | |
| 90 | 0807148 | GROUNDING TERMINAL (M8) | | | | | | | | | | | | | |
| 91 | 847026 | LOCKING CARD SPACER (M8) | | | | | | | | | | | | | |
| 92 | NA | LOCKING CARD SPACER (M8) | | | | | | | | | | | | | |
| 95 | 7009502 | EL. COMPO. ASSY. (TRANSFORMER) (M8) | | | | | | | | | | | | | |
| 96 | 7009503 | LOW FREQUENCY TRANSFORMER (M8) | | | | | | | | | | | | | |
| 97 | 7009504 | SWITCH BOX (M8) | | | | | | | | | | | | | |
| 98 | 4012441 | FAN MOTOR (M8) | | | | | | | | | | | | | |
| 99 | 7009469 | BOTTOM FRAME (M8) | | | | | | | | | | | | | |
| 100 | 7009470 | FRONT PLATE (UPPER) (M8) | | | | | | | | | | | | | |
| 101 | 7009471 | SIDE PLATE (UPPER) (M8) | | | | | | | | | | | | | |
| 102 | 7009472 | FRONT PLATE (M8) | | | | | | | | | | | | | |
| 103 | 7009473 | FRONT PLATE (BOTTOM) (M8) | | | | | | | | | | | | | |
| 104 | 7009474 | MOTOR MOUNTING PLATE (M8) | | | | | | | | | | | | | |
| 105 | 7009476 | STAY (FRONT) (M8) | | | | | | | | | | | | | |
| 106 | 7009477 | STAY (REAR) (M8) | | | | | | | | | | | | | |
| 107 | 7009478 | STAY (RIGHT/ LEFT) (M8) | | | | | | | | | | | | | |
| 108 | 7009479 | REINFORCED PLATE (M8) | | | | | | | | | | | | | |
| 109 | 7009480 | SIDE PLATE (M8) | | | | | | | | | | | | | |
| 110 | 7009481 | SUPPORT (M8) | | | | | | | | | | | | | |
| 111 | 2112372 | BELL MOUTH ASSY. (M8) | | | | | | | | | | | | | |
| 112 | 7009482 | BRACKET (M8) | | | | | | | | | | | | | |
| 113 | 7009483 | TOP PLATE ASSY. (M8) | | | | | | | | | | | | | |
| 114 | 7009484 | PROTECTION NET (M8) | | | | | | | | | | | | | |



| Ref. Part No: No: | Description: | Ref. Part No: No: | Description: |
|-------------------|--------------|-------------------|---|
| Image 1: | | Image 1: | |
| 1 | 7009548 | 51 | 7009457 |
| 2 | 1874305 | | COIL/ SOLENOID VALVE (ACCUMULATOR OIL RETURN) (M2, M10) |
| 3 | 127810J | 52 | 2165972 |
| 4 | 162531J | | BODY/ SOLENOID VALVE (ACCUMULATOR OIL RETURN) (M2) |
| 5 | 5009776 | 52 | 2165972 |
| 6 | 5009777 | | BODY/ SOLENOID VALVE (ACCUMULATOR OIL RETURN) (M10) |
| 7 | 5009778 | 53 | 232005J |
| 8 | 5009473 | | REFRIGERANT FILTER (M2, M10) |
| 10 | 7009507 | 94 | 5009496 |
| 10 | 7009507 | | THERMISTOR ASSY. (M10) |
| 11 | 7009508 | 95 | 5009497 |
| 12 | 7009509 | | THERMISTOR ASSY. (M10) |
| 13 | 1541845 | 118 | NA |
| 14 | 151140J | | HEX. HEAD TAPPING SCREW (M2, M10) |
| 15 | 6019595 | 119 | 4012540 |
| 15 | 6019662 | | HEX. BOLT (M2, M10) |
| 16 | 2104681 | 122 | 1281530 |
| 16 | 2114424 | | THERMAL INSULATION (M2, M10) |
| 17 | 2116831 | 128 | 4012254 |
| 18 | 5009794 | | THERMAL INSULATION TUBE (M10) |
| 19 | 7009443 | 128 | 7009589 |
| 20 | 7009511 | | THERMAL INSULATION TUBE (M2) |
| 21 | 7009512 | 129 | NA |
| 22 | 1996469 | | ACCESSORIES ASSY. (M2, M10) |
| 23 | 5009807 | 130 | 311135 |
| 24 | NA | | ACCESSORIES BAG (M2, M10) |
| 25 | 1505111 | 131 | 7009542 |
| 26 | 1104323 | | AUXILIARY PIPE (GAS SIDE FRONT) (M2) |
| 27 | 7009446 | 131 | 7009543 |
| 28 | 5009795 | | AUXILIARY PIPE (GAS SIDE FRONT) (M10) |
| 29 | 7009447 | 132 | 7009544 |
| 30 | 159973J | | AUXILIARY PIPE (GAS SIDE BOTTOM) (M2) |
| 31 | 5009807 | 132 | 7009545 |
| 32 | 6019597 | | AUXILIARY PIPE (GAS SIDE BOTTOM) (M10) |
| 33 | 5009792 | 133 | 7009490 |
| 34 | 7009513 | | AUXILIARY PIPE (LIQUID SIDE FRONT) (M10) |
| 35 | 2008769 | 133 | 7009546 |
| 36 | 5009809 | | AUXILIARY PIPE (LIQUID SIDE FRONT) (M2) |
| 37 | 1541845 | 134 | 7009491 |
| 38 | 151137J | | AUXILIARY PIPE (LIQUID SIDE BOTTOM) (M10) |
| 39 | 7009449 | 134 | 7009547 |
| 40 | 5009808 | | AUXILIARY PIPE (LIQUID SIDE BOTTOM) (M2) |
| 41 | 7009514 | 135 | NA |
| 42 | 2113382 | | ACCESSORY SET (LABEL) (M2, M10) |
| 43 | 7009451 | 136 | NA |
| 44 | 2165965 | | ACCESSORIES ASSY. (M2, M10) |
| 45 | 7009452 | 137 | NA |
| 46 | 7009515 | | INSTALLATION MANUAL (M2, M10) |
| 47 | 232005J | 138 | NA |
| 48 | 7009454 | | INSTALLATION MANUAL (M2, M10) |
| 49 | 7009455 | 139 | 980774J |
| 50 | 7009516 | | TIE WRAP (M2, M10) |
| | | 140 | 980772J |
| | | | CLAMP/ LEAD WIRE (M2, M10) |
| | | 141 | 1997424 |
| | | | ELECTRIC INSULATION (M2, M10) |
| | | 142 | NA |
| | | | ADDITIONAL REFR. CHARGE LABEL (M2, M10) |
| | | 143 | NA |
| | | | BRAND NAME LABEL (NORMAL) (M2, M10) |
| | | 144 | NA |
| | | | ELECTRIC WIRING DIAGRAM LABEL (M2, M10) |
| | | 145 | NA |
| | | | OPERATION NAME PLATE (1/2) (M2, M10) |
| | | 146 | NA |
| | | | OPERATION NAME PLATE (M2, M10) |
| | | 147 | NA |
| | | | OPERATION NAME PLATE (1) (M2, M10) |
| | | 148 | NA |
| | | | OPERATION NAME PLATE (2) (M2, M10) |
| | | 149 | NA |
| | | | COLLECTIVE INDICATIONS LABEL (M2, M10) |
| | | 150 | 4010207 |
| | | | LABEL (WARNING) (M2, M10) |
| | | 151 | NA |
| | | | CAUTION LABEL (ROTATING) (M2, M10) |
| | | 152 | NA |
| | | | CAUTION LABEL (BURN) (M2, M10) |
| | | 153 | NA |
| | | | CAUTION LABEL (TRANSPORT CLAMP) (M2, M10) |
| | | 154 | NA |
| | | | CAUTION LABEL (GRIPPING POSITION) (M2, M10) |
| | | 155 | NA |
| | | | CAUTION LABEL (COVER SW BOX) (M2, M10) |
| | | 156 | NA |
| | | | CAUTION LABEL (M2, M10) |
| | | 157 | 1799257 |
| | | | L-TYPE JOINT (M2) |
| | | 158 | 042396J |
| | | | FITTING SPRING/ THERMISTOR (M2, M10) |

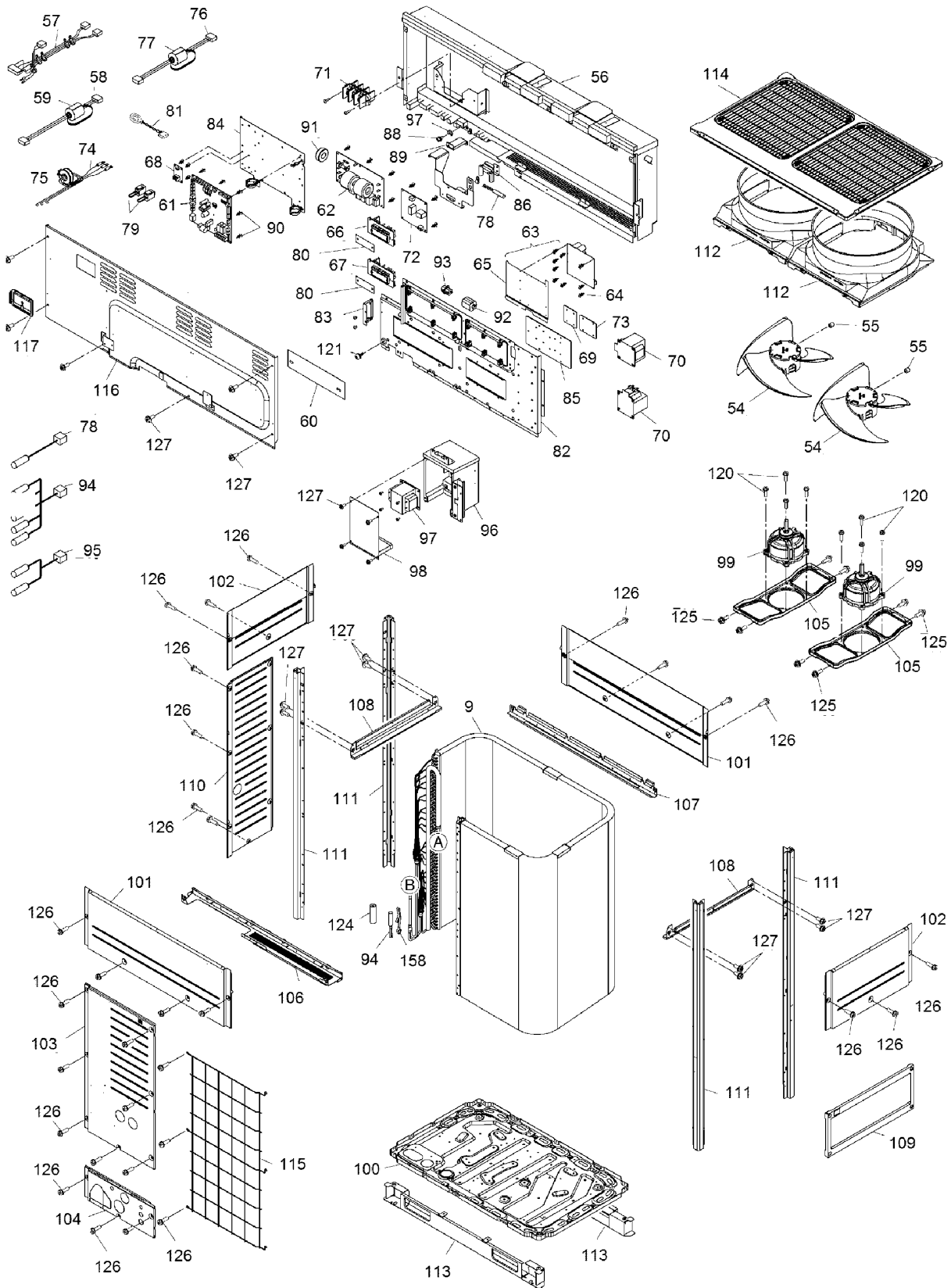
Ref. Part
No: No: Description:

Ref. Part
No: No: Description:

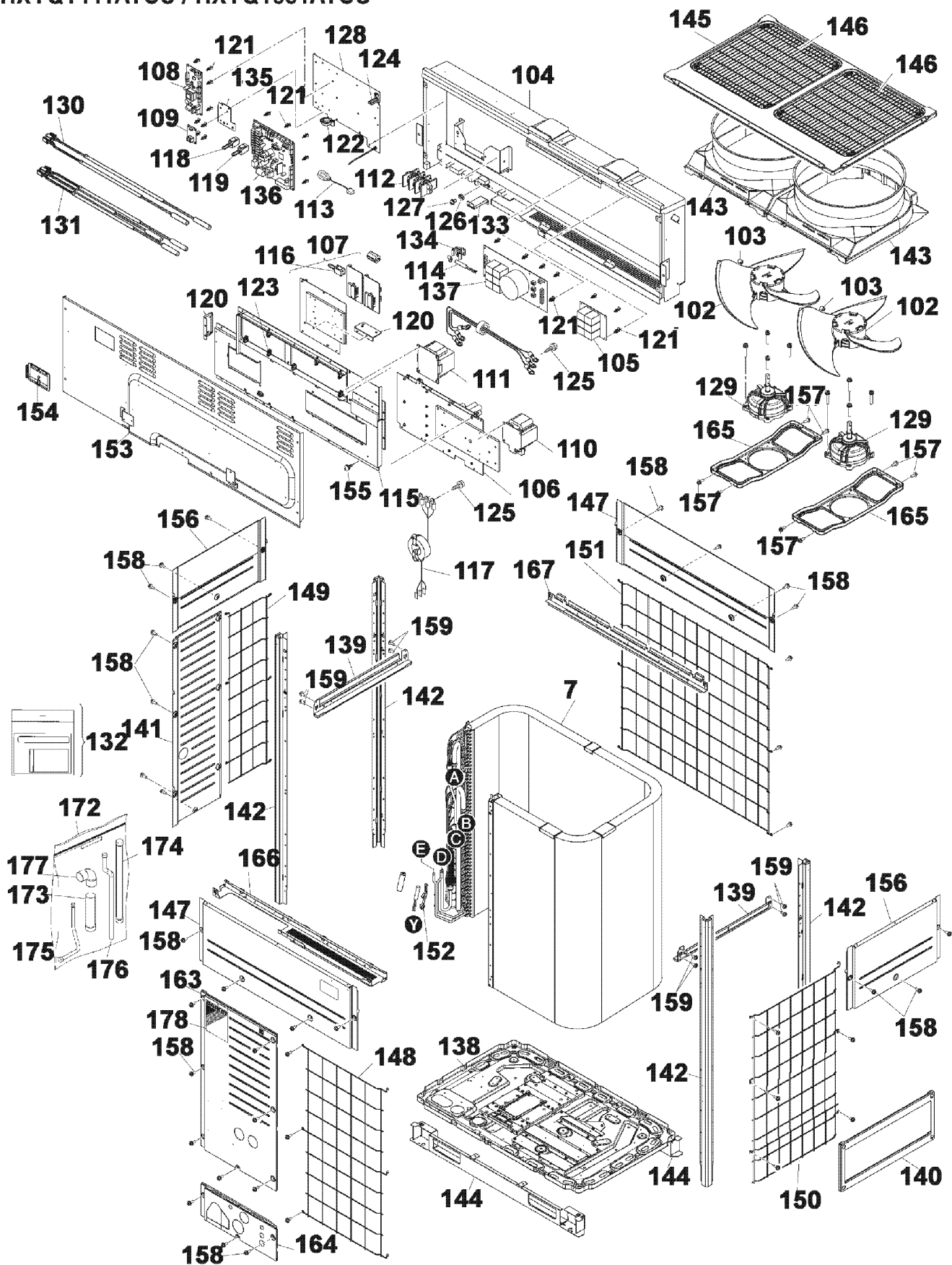
Expanded Model Nomenclature

- M1 - RXYQ120TAYCU
- M2 - RXYQ120TAYDU
- M3 - RXYQ144TAYCU
- M4 - RXYQ144TAYDU
- M5 - RXYQ168TAYCU
- M6 - RXYQ168TAYDU
- M7 - RXYQ72TAYCU
- M8 - RXYQ72TAYDU
- M9 - RXYQ96TAYCU
- M10 - RXYQ96TAYDU

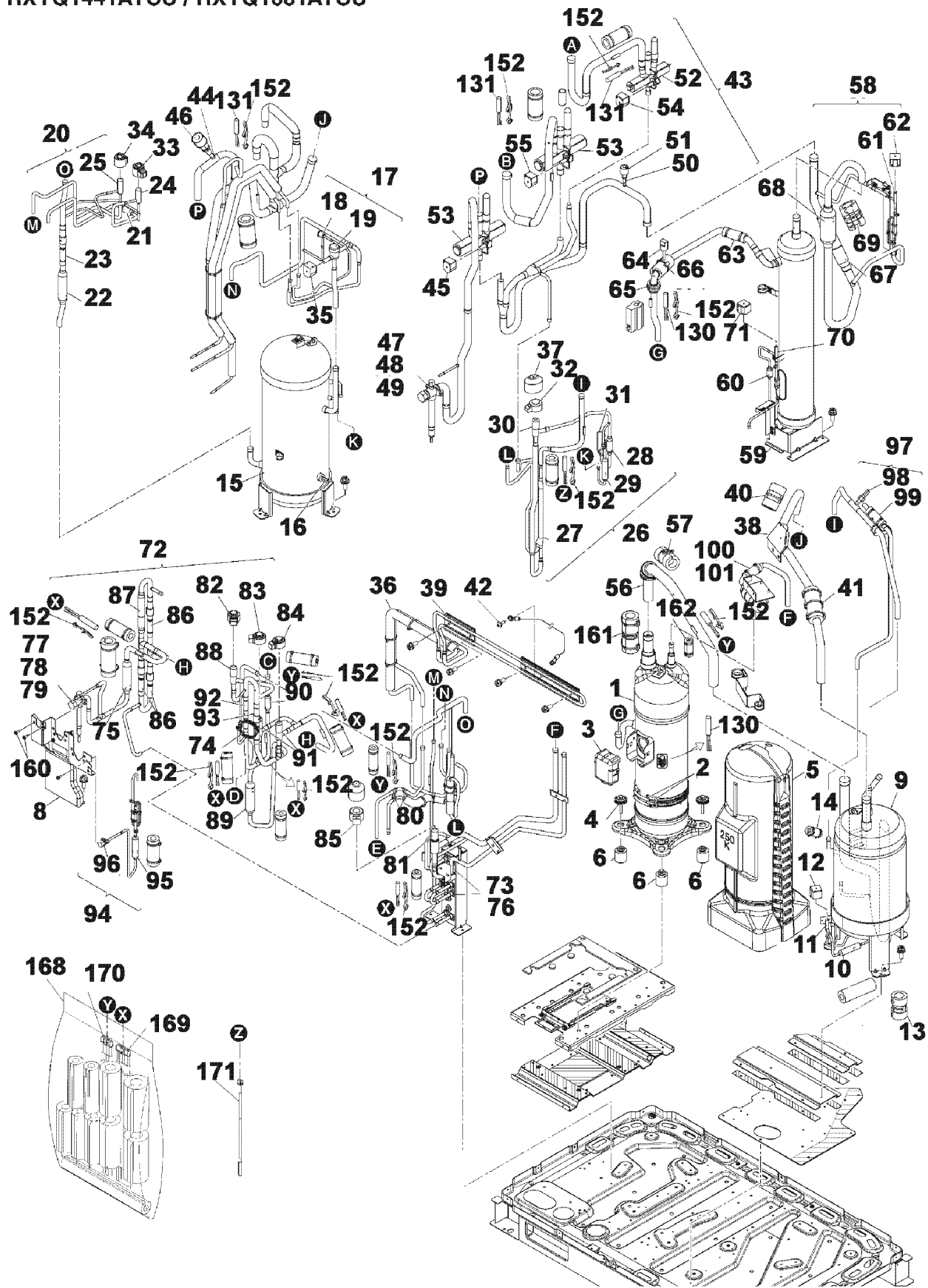
— TOP —



| Ref. Part No: No: | Description: | Ref. Part No: No: | Description: | | | | | | | | | | |
|-------------------|--|--|---|-------------------|-------------------|-------------------|-------------------|-------------------|-------------------|------------------|------------------|------------------|-------------------|
| Image 1: | | Image 1: | | | | | | | | | | | |
| 9 | 7009506 PLATE FINNED COIL HEAT EXCHANGER ASSY. (M2, M10) | 104 | 7009533 FRONT PLATE (BOTTOM) (M2, M10) | | | | | | | | | | |
| 54 | 7009517 PROPELLER FAN ASSY. (M2, M10) | 105 | 7009534 MOTOR MOUNTING PLATE (M2, M10) | | | | | | | | | | |
| 55 | 057178J HEX. SOCKET SCREW (M2, M10) | 106 | 7009536 STAY ASSY. (FRONT) (M2, M10) | | | | | | | | | | |
| 56 | 7009549 EL. COMPO. BOX COVER ASSY. (M2, M10) | 107 | 7009537 STAY (REAR) (M2, M10) | | | | | | | | | | |
| 57 | 7009550 WIRE HARNESS ASSY. (M2, M10) | 108 | 7009478 STAY (RIGHT/ LEFT) (M2, M10) | | | | | | | | | | |
| 58 | 4012626 WIRE HARNESS ASSY. (M2, M10) | 109 | 7009479 REINFORCED PLATE (M2, M10) | | | | | | | | | | |
| 59 | 1420289 FERRITE CORE (M2, M10) | 110 | 7009480 SIDE PLATE (M2, M10) | | | | | | | | | | |
| 60 | 2130503 INSULATION SHEET (M2, M10) | 111 | 7009481 SUPPORT (M2, M10) | | | | | | | | | | |
| 61 | 7009439 PRINTED CIRCUIT ASSY. (MAIN) (M2, M10) | 112 | 7009588 BELL MOUTH (M2, M10) | | | | | | | | | | |
| 62 | 7009551 PRINTED CIRCUIT ASSY. (NOISE FILTER) (M2, M10) | 113 | 7009538 BRACKET (M2, M10) | | | | | | | | | | |
| 63 | 7009552 PRINTED CIRCUIT ASSY. (INVERTER) (M2, M10) | 114 | 7009539 TOP PLATE ASSY. (M2, M10) | | | | | | | | | | |
| 64 | 380401 LOCKING CARD SPACER (M2, M10) | 115 | 7009540 PROTECTION NET (FRONT) (M2, M10) | | | | | | | | | | |
| 65 | 7009553 SET PLATE/ INVERTER (M2, M10) | 116 | 7009541 COVER/ SWITCH BOX (M2, M10) | | | | | | | | | | |
| 66 | 4012622 PRINTED CIRCUIT ASSY. (FAN) (M2, M10) | 117 | 1287778 INSPECTION HOLE (M2, M10) | | | | | | | | | | |
| 67 | 4012621 PRINTED CIRCUIT ASSY. (FAN) (M2, M10) | 120 | 7009486 HEX. HEAD TAPPING SCREW (M2, M10) | | | | | | | | | | |
| 68 | 1716788 PRINTED CIRCUIT ASSY. (ABC I/P) (M2, M10) | 121 | 1198397 GROUNDING TERMINAL (M2, M10) | | | | | | | | | | |
| 69 | 7009554 PRINTED CIRCUIT ASSY. (CURRENT LIMITING) (M2, M10) | 123 | 550459 INSULATION TUBE/ LIQUID LINE (M2, M10) | | | | | | | | | | |
| 70 | 5009487 REACTOR (M2, M10) | 124 | 1082207 HEAT INSULATION TUBE (M2, M10) | | | | | | | | | | |
| 71 | 7009522 TERMINAL BLOCK (M2, M10) | 125 | 493462 TAPPING SCREW (M2, M10) | | | | | | | | | | |
| 72 | 7009555 PRINTED CIRCUIT ASSY. (NOISE FILTER) (M2, M10) | 126 | 025047J HEX. HEAD TAPPING SCREW (M2, M10) | | | | | | | | | | |
| 73 | 7009556 PRINTED CIRCUIT (OPEN PHASE PROTECTION) (M2, M10) | 127 | 356556 HEX. TAPPING SCREW (M2, M10) | | | | | | | | | | |
| 74 | 7009557 WIRE HARNESS ASSY. (COMP.) (M2, M10) | Expanded Model Nomenclature | | | | | | | | | | | |
| 75 | 064527J LINE FILTER (M2, M10) | <table border="1"> <tr><td>M1 - RXYQ120TAYCU</td></tr> <tr><td>M2 - RXYQ120TAYDU</td></tr> <tr><td>M3 - RXYQ144TAYCU</td></tr> <tr><td>M4 - RXYQ144TAYDU</td></tr> <tr><td>M5 - RXYQ168TAYCU</td></tr> <tr><td>M6 - RXYQ168TAYDU</td></tr> <tr><td>M7 - RXYQ72TAYCU</td></tr> <tr><td>M8 - RXYQ72TAYDU</td></tr> <tr><td>M9 - RXYQ96TAYCU</td></tr> <tr><td>M10 - RXYQ96TAYDU</td></tr> </table> | | M1 - RXYQ120TAYCU | M2 - RXYQ120TAYDU | M3 - RXYQ144TAYCU | M4 - RXYQ144TAYDU | M5 - RXYQ168TAYCU | M6 - RXYQ168TAYDU | M7 - RXYQ72TAYCU | M8 - RXYQ72TAYDU | M9 - RXYQ96TAYCU | M10 - RXYQ96TAYDU |
| M1 - RXYQ120TAYCU | | | | | | | | | | | | | |
| M2 - RXYQ120TAYDU | | | | | | | | | | | | | |
| M3 - RXYQ144TAYCU | | | | | | | | | | | | | |
| M4 - RXYQ144TAYDU | | | | | | | | | | | | | |
| M5 - RXYQ168TAYCU | | | | | | | | | | | | | |
| M6 - RXYQ168TAYDU | | | | | | | | | | | | | |
| M7 - RXYQ72TAYCU | | | | | | | | | | | | | |
| M8 - RXYQ72TAYDU | | | | | | | | | | | | | |
| M9 - RXYQ96TAYCU | | | | | | | | | | | | | |
| M10 - RXYQ96TAYDU | | | | | | | | | | | | | |
| 76 | 4012625 WIRE HARNESS ASSY. (M2, M10) | | | | | | | | | | | | |
| 77 | 1420289 FERRITE CORE (M2, M10) | | | | | | | | | | | | |
| 78 | 1782095 THERMISTOR (AIR A1P) ASSY. (M2, M10) | | | | | | | | | | | | |
| 79 | 1352348 CONNECTOR/ SHORT CIRCUIT (M2, M10) | | | | | | | | | | | | |
| 80 | 5009817 INSULATION SHEET (TF RUBBER) (M2, M10) | | | | | | | | | | | | |
| 81 | 2117168 CURRENT TRANSFORMER (M2, M10) | | | | | | | | | | | | |
| 82 | 7009524 EL. COMPO. MOUNTING PLATE (INVERTER) (M2, M10) | | | | | | | | | | | | |
| 83 | 7009525 SET PLATE/ IMPLEMENT USE (M2, M10) | | | | | | | | | | | | |
| 84 | 7009526 PCB MOUNTING PLATE (M2, M10) | | | | | | | | | | | | |
| 85 | 7009528 MOUNTING PLATE (M2, M10) | | | | | | | | | | | | |
| 86 | 7009527 MOUNTING PLATE (THERMISTOR) (M2, M10) | | | | | | | | | | | | |
| 87 | 066578J CUP WASHER (M2, M10) | | | | | | | | | | | | |
| 88 | 080714J GROUNDING TERMINAL (M2, M10) | | | | | | | | | | | | |
| 89 | 7009529 EL. COMPO. MOUNTING PLATE (M2, M10) | | | | | | | | | | | | |
| 90 | 380401 LOCKING CARD SPACER (M2, M10) | | | | | | | | | | | | |
| 91 | 5009489 FERRITE CORE (M2, M10) | | | | | | | | | | | | |
| 92 | 2031550 FERRITE CORE (M2, M10) | | | | | | | | | | | | |
| 93 | 5009491 FERRITE CORE (M2, M10) | | | | | | | | | | | | |
| 93 | 5009491 FERRITE CORE (M10) | | | | | | | | | | | | |
| 94 | 5009496 THERMISTOR ASSY. (M2, M10) | | | | | | | | | | | | |
| 95 | 5009497 THERMISTOR ASSY. (M2, M10) | | | | | | | | | | | | |
| 96 | 7009558 EL. COMPO. ASSY. (TRANSFORMER) (M2, M10) | | | | | | | | | | | | |
| 97 | 7009503 LOW FREQUENCY TRANSFORMER (M2, M10) | | | | | | | | | | | | |
| 98 | 7009504 SWITCH BOX (M2, M10) | | | | | | | | | | | | |
| 99 | 4012442 FAN MOTOR (M2, M10) | | | | | | | | | | | | |
| 100 | 7009530 BOTTOM FRAME (M2, M10) | | | | | | | | | | | | |
| 101 | 7009531 FRONT PLATE (UPPER) (M2, M10) | | | | | | | | | | | | |
| 102 | 7009471 SIDE PLATE (UPPER) (M2, M10) | | | | | | | | | | | | |
| 103 | 7009532 FRONT PLATE (M2, M10) | | | | | | | | | | | | |



| Ref. Part No: No: | Description: | Ref. Part No: No: | Description: | | | | | | | | | | |
|-------------------|--------------|--|--------------|-------------------|-------------------|-------------------|-------------------|-------------------|-------------------|------------------|------------------|------------------|-------------------|
| Image 1: | | Image 1: | | | | | | | | | | | |
| 7 | 7009599 | 157 | 7009493 | | | | | | | | | | |
| 102 | 7009517 | 158 | 025047J | | | | | | | | | | |
| 103 | 057178J | 159 | 035655J | | | | | | | | | | |
| 104 | 7009631 | 163 | 7009532 | | | | | | | | | | |
| 105 | 7009635 | 164 | 7009533 | | | | | | | | | | |
| 106 | 7009681 | 165 | 7009534 | | | | | | | | | | |
| 107 | 7009637 | 166 | 7009536 | | | | | | | | | | |
| 108 | 7500014 | 167 | 7009537 | | | | | | | | | | |
| 109 | 1716788 | 172 | NA | | | | | | | | | | |
| 110 | 7009682 | 173 | 7500109 | | | | | | | | | | |
| 111 | 7009639 | 174 | 7500110 | | | | | | | | | | |
| 112 | 7009522 | 175 | 7009575 | | | | | | | | | | |
| 113 | 2117168 | 175 | 7009576 | | | | | | | | | | |
| 114 | 7009640 | 176 | 7009577 | | | | | | | | | | |
| 115 | 7009632 | 176 | 7009578 | | | | | | | | | | |
| 116 | 1933413 | 177 | 1442816 | | | | | | | | | | |
| 117 | 7009642 | 178 | 7009692 | | | | | | | | | | |
| 118 | 135234J | Expanded Model Nomenclature | | | | | | | | | | | |
| 119 | 2233712 | <table border="1"> <tr><td>M1 - RXYQ120TAYCU</td></tr> <tr><td>M2 - RXYQ120TAYDU</td></tr> <tr><td>M3 - RXYQ144TAYCU</td></tr> <tr><td>M4 - RXYQ144TAYDU</td></tr> <tr><td>M5 - RXYQ168TAYCU</td></tr> <tr><td>M6 - RXYQ168TAYDU</td></tr> <tr><td>M7 - RXYQ72TAYCU</td></tr> <tr><td>M8 - RXYQ72TAYDU</td></tr> <tr><td>M9 - RXYQ96TAYCU</td></tr> <tr><td>M10 - RXYQ96TAYDU</td></tr> </table> | | M1 - RXYQ120TAYCU | M2 - RXYQ120TAYDU | M3 - RXYQ144TAYCU | M4 - RXYQ144TAYDU | M5 - RXYQ168TAYCU | M6 - RXYQ168TAYDU | M7 - RXYQ72TAYCU | M8 - RXYQ72TAYDU | M9 - RXYQ96TAYCU | M10 - RXYQ96TAYDU |
| M1 - RXYQ120TAYCU | | | | | | | | | | | | | |
| M2 - RXYQ120TAYDU | | | | | | | | | | | | | |
| M3 - RXYQ144TAYCU | | | | | | | | | | | | | |
| M4 - RXYQ144TAYDU | | | | | | | | | | | | | |
| M5 - RXYQ168TAYCU | | | | | | | | | | | | | |
| M6 - RXYQ168TAYDU | | | | | | | | | | | | | |
| M7 - RXYQ72TAYCU | | | | | | | | | | | | | |
| M8 - RXYQ72TAYDU | | | | | | | | | | | | | |
| M9 - RXYQ96TAYCU | | | | | | | | | | | | | |
| M10 - RXYQ96TAYDU | | | | | | | | | | | | | |
| 120 | 7009525 | | | | | | | | | | | | |
| 121 | 380401J | | | | | | | | | | | | |
| 122 | 2010250 | | | | | | | | | | | | |
| 123 | 027843J | | | | | | | | | | | | |
| 124 | 207661 | | | | | | | | | | | | |
| 125 | 7500045 | | | | | | | | | | | | |
| 126 | 066578J | | | | | | | | | | | | |
| 127 | 080714J | | | | | | | | | | | | |
| 128 | 7009526 | | | | | | | | | | | | |
| 129 | 7009643 | | | | | | | | | | | | |
| 130 | 7009683 | | | | | | | | | | | | |
| 131 | 7009645 | | | | | | | | | | | | |
| 132 | NA | | | | | | | | | | | | |
| 133 | 7009529 | | | | | | | | | | | | |
| 134 | 7009527 | | | | | | | | | | | | |
| 135 | 7500082 | | | | | | | | | | | | |
| 136 | 2397375 | | | | | | | | | | | | |
| 137 | 7009634 | | | | | | | | | | | | |
| 138 | 7009530 | | | | | | | | | | | | |
| 139 | 7009478 | | | | | | | | | | | | |
| 140 | 7009479 | | | | | | | | | | | | |
| 141 | 7009480 | | | | | | | | | | | | |
| 142 | 7009481 | | | | | | | | | | | | |
| 143 | 7009588 | | | | | | | | | | | | |
| 144 | 7009538 | | | | | | | | | | | | |
| 145 | 7009539 | | | | | | | | | | | | |
| 146 | 7500121 | | | | | | | | | | | | |
| 147 | 7009531 | | | | | | | | | | | | |
| 148 | 7009540 | | | | | | | | | | | | |
| 149 | 7009646 | | | | | | | | | | | | |
| 150 | 7009647 | | | | | | | | | | | | |
| 151 | 7009648 | | | | | | | | | | | | |
| 152 | 423968 | | | | | | | | | | | | |
| 153 | 7009541 | | | | | | | | | | | | |
| 154 | 128777J | | | | | | | | | | | | |
| 155 | 119839J | | | | | | | | | | | | |
| 156 | 7009471 | | | | | | | | | | | | |



| Ref. Part No: No: | Description: | Ref. Part No: No: | Description: | |
|-------------------|--------------|-------------------|--------------|--|
| Image 1: | | Image 1: | | |
| 1 | 7009663 | 50 | 1944437 | GAUGE JOINT WITH CHECK VALVE (M3, M5) |
| 2 | 7009598 | 51 | 7009604 | HIGH PRESSURE SENSOR (M3, M5) |
| 3 | 7009594 | 52 | 2119861 | BODY/ FOUR WAY VALVE (HEAT EXC. UPPER) (M3, M5) |
| 4 | 2311775 | | | |
| 5 | 2279686 | 53 | 6019596 | BODY/ FOUR WAY VALVE (M3, M5) |
| 6 | 2279422 | 54 | 7500059 | COIL/ FOUR WAY VALVE (HEAT EXC. UPPER) (M3, M5) |
| 8 | 7500035 | | | |
| 9 | 7009679 | 55 | 7500060 | COIL/ FOUR WAY VALVE (HEAT EXC. LOWER) (M3, M5) |
| 10 | 232005J | | | |
| 11 | 2165972 | 56 | NA | SUCTION PIPE ASSY. (M3, M5) |
| | | 57 | 2312879 | WEIGHT (M3, M5) |
| 12 | 7009622 | 58 | NA | DISCHARGE PIPE ASSY. (M3, M5) |
| | | 59 | 2397368 | OIL SEPARATOR ASSY. (M3, M5) |
| 13 | 2279484 | 60 | 4012537 | FILTER (M3, M5) |
| 14 | 7009680 | 61 | 2165972 | BODY/ SOLENOID VALVE (HOT GAS BYPASS) (M3, M5) |
| 15 | 7009623 | | | |
| 16 | 7009455 | 62 | 7500070 | COIL/ SOLENOID VALVE (HOT GAS BYPASS) (M3, M5) |
| 17 | NA | | | |
| 18 | 7009625 | 63 | 2009065 | PLUMMET (M3, M5) |
| 19 | 147657J | 64 | 7009608 | HIGH PRESSURE SWITCH (M3, M5) |
| | | 65 | 2282668 | WEIGHT (M3, M5) |
| 20 | NA | 66 | 2317139 | WEIGHT (M3, M5) |
| 21 | 2113337 | 67 | 2311845 | CHECK VALVE (M3, M5) |
| 22 | 012000J | 68 | 159971J | REFRIGERANT FILTER (M3, M5) |
| 23 | 1086083 | 69 | 2279484 | WEIGHT (M3, M5) |
| 24 | 2233628 | 70 | 2165965 | BODY/ SOLENOID VALVE (OS OIL RETURN 1) (M3, M5) |
| 25 | 2204606 | 71 | 7500071 | COIL/ SOLENOID VALVE (OS OIL RETURN 1) (M3, M5) |
| 26 | NA | 72 | NA | LIQUID PIPE ASSY. (M3, M5) |
| 27 | 7500077 | 73 | NA | PLATE HEAT EXCHANGER ASSY. (M3, M5) |
| 28 | 2113344 | 74 | NA | CAPILLARY TUBE (M3, M5) |
| 29 | 232005J | 75 | 231501J | REFRIGERANT FILTER (M3, M5) |
| 30 | 1996469 | 76 | 2305446 | PLATE HEAT EXCHANGER (M3, M5) |
| | | 77 | NA | STOP VALVE ASSY. (LIQUID) (M3, M5) |
| 31 | NA | 78 | 2103455 | STOP VALVE (M3, M5) |
| 32 | 7009628 | 79 | 143584J | CAP/ STOP VALVE (M3, M5) |
| | | 80 | 1505111 | PIPE CLAMP PLATE (M3, M5) |
| 33 | 7009629 | 81 | 1801415 | BODY/ ELECTRONIC EXP. VALVE (INJECTION) (M3, M5) |
| 34 | 7009630 | 82 | 7009611 | COIL/ ELECTRONIC EXP. VALVE (LEAK DETECTION) (M3, M5) |
| 35 | 7500080 | 83 | 7009612 | COIL/ ELECTRONIC EXP. VALVE (HEAT EXC. UPPER) (M3, M5) |
| 36 | NA | 84 | 7009613 | COIL/ ELECTRONIC EXP. VALVE (HEAT EXC. LOWER) (M3, M5) |
| 37 | 650304 | | | |
| 38 | NA | 85 | 7009614 | COIL/ ELECTRONIC EXP. VALVE (INJECTION) (M3, M5) |
| 39 | 7009601 | | | |
| 40 | 2279484 | 86 | 1086083 | CHECK VALVE (M3, M5) |
| 41 | 7009678 | 87 | 159972J | CHECK VALVE (M3, M5) |
| 42 | 2103633 | 88 | 1996469 | BODY/ ELECTRONIC EXP. VALVE (LEAK DETECTION) (M3, M5) |
| 43 | NA | | | |
| 44 | 1944437 | 89 | 231501J | REFRIGERANT FILTER (M3, M5) |
| 45 | 7500061 | 90 | 2113344 | FILTER (FOR REF.) (M3, M5) |
| 46 | 7009603 | 91 | 1996469 | BODY/ ELECTRONIC EXP. VALVE (M3, M5) |
| 47 | NA | 92 | 107638J | CHECK VALVE (M3, M5) |
| 48 | 2127918 | 93 | 1086083 | CHECK VALVE (M3, M5) |
| 49 | 2116831 | 94 | NA | REFRIGERANT PIPE ASSY. (M3, M5) |

| Ref. Part No: | Part No: | Description: | Ref. Part No: | Part No: | Description: |
|---------------|----------|--------------|---------------|----------|--------------|
|---------------|----------|--------------|---------------|----------|--------------|

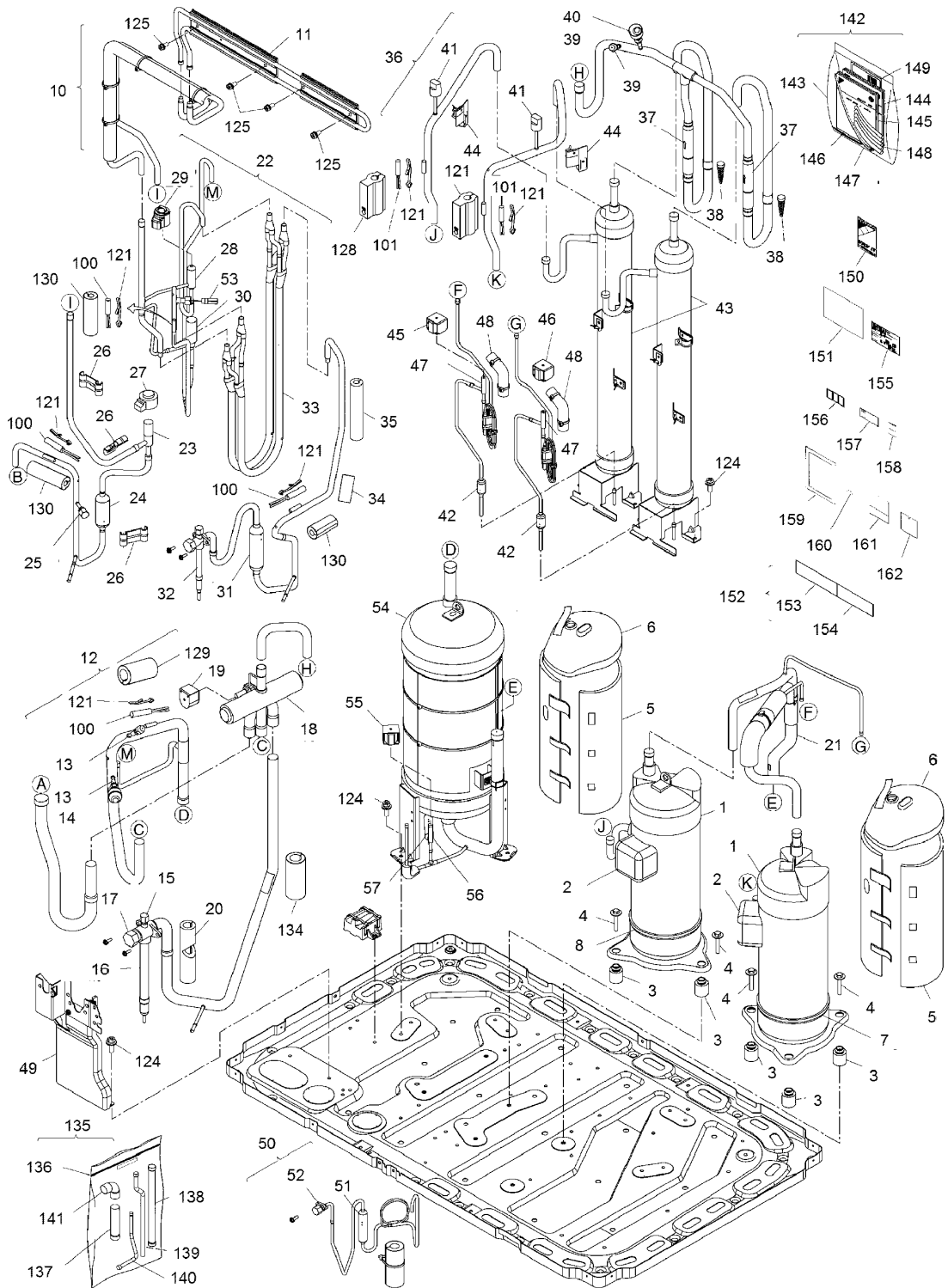
Image 1:

| | | | | | |
|-----|---------|--|--|--|--|
| 95 | 232005J | REFRIGERANT FILTER (M3, M5) | | | |
| 96 | 7009616 | SERVICE PORT ASSY. (M3, M5) | | | |
| 97 | NA | REFRIGERANT PIPE ASSY. (M3, M5) | | | |
| 98 | 7009455 | FUSIBLE PLUG ASSY. (M3, M5) | | | |
| 99 | 2311799 | WEIGHT (M3, M5) | | | |
| 100 | 7009677 | MUFFLER ASSY. (M3, M5) | | | |
| 101 | 7009620 | WEIGHT (M3, M5) | | | |
| 130 | 7009683 | THERMISTOR ASSY. (M3, M5) | | | |
| 131 | 7009645 | THERMISTOR ASSY. (M3, M5) | | | |
| 152 | 423968 | FITTING SPRING/ THERMISTOR (M3, M5) | | | |
| 160 | 035654J | HEX. SOCKET SCREW (M3, M5) | | | |
| 161 | 7009684 | WEIGHT (M3, M5) | | | |
| 162 | 7009680 | WEIGHT ASSY. (M3, M5) | | | |
| 168 | NA | ACCESSORY SET (3) (M3, M5) | | | |
| 169 | 7009652 | THERMISTOR ASSY. (M3, M5) | | | |
| 170 | 7009653 | THERMISTOR ASSY. (M3, M5) | | | |
| 171 | 7009662 | THERMISTOR (RECEIVER GAS PURGE) (M3, M5) | | | |

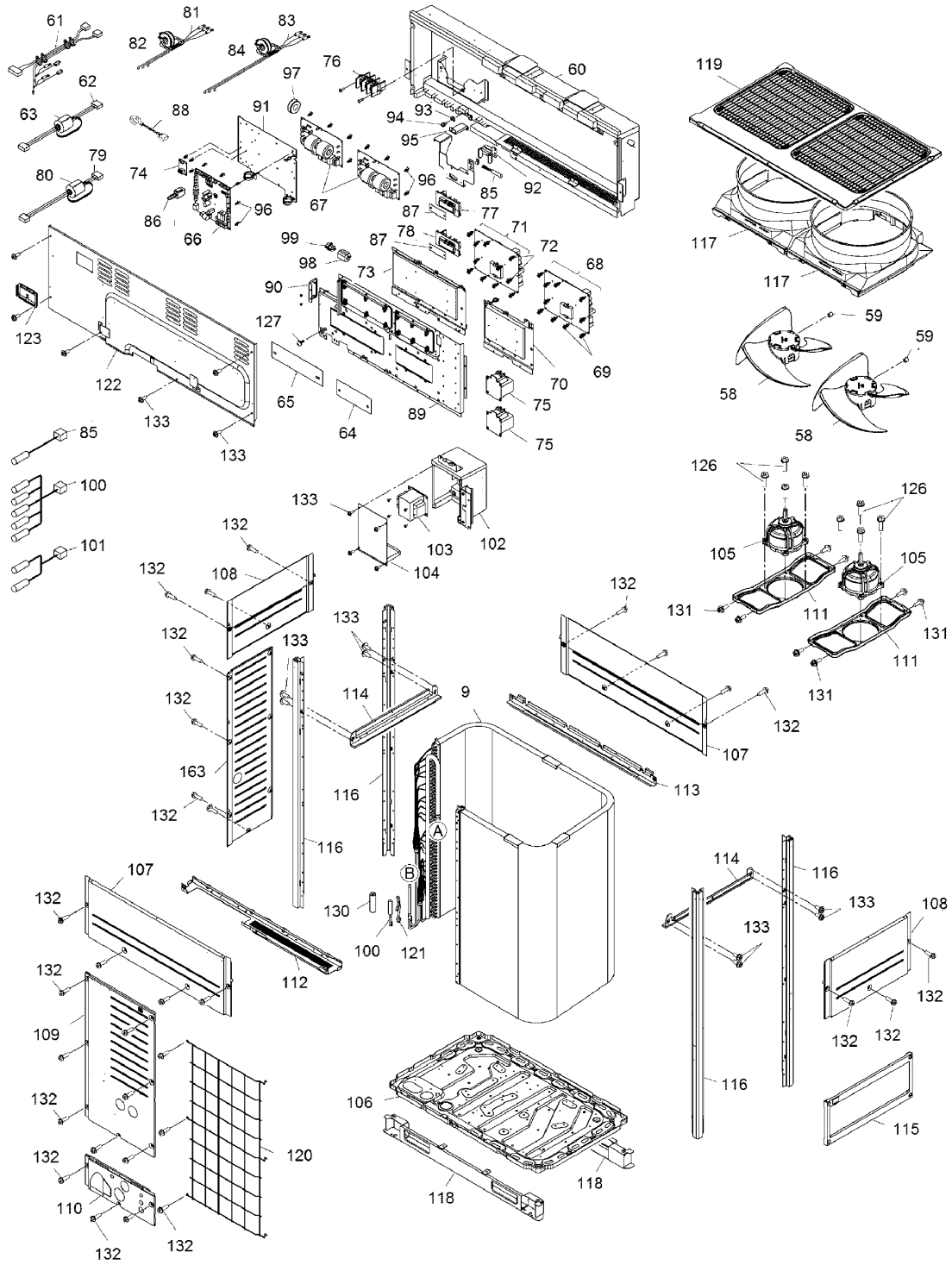
Expanded Model Nomenclature

- | |
|-------------------|
| M1 - RXYQ120TAYCU |
| M2 - RXYQ120TAYDU |
| M3 - RXYQ144TAYCU |
| M4 - RXYQ144TAYDU |
| M5 - RXYQ168TAYCU |
| M6 - RXYQ168TAYDU |
| M7 - RXYQ72TAYCU |
| M8 - RXYQ72TAYDU |
| M9 - RXYQ96TAYCU |
| M10 - RXYQ96TAYDU |

— TOP —



| Ref. Part No: No: | Description: | Ref. Part No: No: | Description: |
|-------------------|--------------|------------------------------------|--|
| Image 1: | | Image 1: | |
| 1 | 7009494 | 55 | 7009457 |
| 2 | 1874305 | | COIL/ SOLENOID VALVE (ACCUMULATOR OIL RETURN) (M4, M6) |
| 3 | 127810J | 56 | 2165972 |
| 4 | 162531J | | BODY/ SOLENOID VALVE (ACCUMULATOR OIL RETURN) (M4, M6) |
| 5 | 5009776 | 57 | 232005J |
| 6 | 5009778 | | REFRIGERANT FILTER (M4, M6) |
| 7 | 5009473 | 100 | 5009496 |
| 8 | 5009474 | | THERMISTOR ASSY. (M4, M6) |
| 10 | 7009560 | 101 | 5009498 |
| 11 | 7009561 | | THERMISTOR ASSY. (M4, M6) |
| 12 | 7009562 | 121 | 042396J |
| 13 | 1541845 | | FITTING SPRING/ THERMISTOR (M4, M6) |
| 14 | 151140J | 124 | NA |
| 15 | 6019662 | | HEX. HEAD TAPPING SCREW (M4, M6) |
| 16 | 2104681 | 125 | 4012540 |
| 17 | 2116831 | | HEX. BOLT (M4, M6) |
| 18 | 5009794 | 128 | 1281530 |
| 19 | 7009443 | | THERMAL INSULATION (M4, M6) |
| 20 | 2225355 | 129 | NA |
| 21 | 7009563 | | THERMAL INSULATION TUBE (M4, M6) |
| 22 | 7009564 | 130 | 1657632 |
| 23 | 1996469 | | THERMAL INSULATION TUBE (M4, M6) |
| 24 | 097344J | 134 | 424086 |
| 25 | NA | | INSULATION TUBE/ REF. PIPING (M4, M6) |
| 26 | 1104323 | 135 | NA |
| 27 | 7009446 | | ACCESSORIES ASSY. (M4, M6) |
| 28 | 1420544 | 136 | 311135 |
| | | | ACCESSORIES BAG (M4, M6) |
| 29 | 7009565 | 137 | 7009542 |
| | | | AUXILIARY PIPE (GAS SIDE FRONT) (M4, M6) |
| 30 | 159973J | 138 | 7009544 |
| 31 | 232022 | | AUXILIARY PIPE (GAS SIDE BOTTOM) (M4, M6) |
| 32 | 6019692 | 139 | 7009575 |
| 33 | 5009792 | | AUXILIARY PIPE (LIQUID SIDE FRONT) (M6) |
| 34 | 4012797 | 139 | 7009576 |
| 35 | 7009586 | | AUXILIARY PIPE (LIQUID SIDE FRONT) (M4) |
| 36 | 7009566 | 140 | 7009577 |
| 37 | 1599729 | | AUXILIARY PIPE (LIQUID SIDE BOTTOM) (M6) |
| 38 | 5009809 | 140 | 7009578 |
| 39 | 1541845 | | AUXILIARY PIPE (LIQUID SIDE BOTTOM) (M4) |
| 40 | 151137J | 141 | 1799257 |
| 41 | 7009449 | | L-TYPE JOINT (M4, M6) |
| 42 | 5009808 | 142 | NA |
| 43 | 7009450 | | ACCESSORY SET (LABEL) (M4, M6) |
| 44 | 2113382 | 143 | NA |
| 45 | 7009451 | | ACCESSORIES ASSY. (M4, M6) |
| | | 144 | NA |
| 46 | 7009567 | | INSTALLATION MANUAL (M4, M6) |
| | | 145 | NA |
| 47 | 2165965 | | INSTALLATION MANUAL (M4, M6) |
| | | 146 | 980774J |
| 48 | NA | | TIE WRAP (M4, M6) |
| 49 | 7009452 | 147 | 980772J |
| 50 | 7009515 | | CLAMP/ LEAD WIRE (M4, M6) |
| 51 | 232005J | 148 | 1997424 |
| 52 | 7009454 | | ELECTRIC INSULATION (M4, M6) |
| 53 | 7009455 | 149 | NA |
| 54 | 7009568 | | ADDITIONAL REFR. CHARGE LABEL (M4, M6) |
| | | 150 | NA |
| | | | BRAND NAME LABEL (NORMAL) (M4, M6) |
| | | 151 | NA |
| | | | OPERATION NAME PLATE (1/2) (M4, M6) |
| | | 152 | NA |
| | | | OPERATION NAME PLATE (M4, M6) |
| | | 153 | NA |
| | | | OPERATION NAME PLATE (1) (M4, M6) |
| | | 154 | NA |
| | | | OPERATION NAME PLATE (2) (M4, M6) |
| | | 155 | NA |
| | | | COLLECTIVE INDICATIONS LABEL (M4, M6) |
| | | 156 | 4010207 |
| | | | LABEL (WARNING) (M4, M6) |
| | | 157 | NA |
| | | | CAUTION LABEL (ROTATING) (M4, M6) |
| | | 158 | NA |
| | | | CAUTION LABEL (BURN) (M4, M6) |
| | | 159 | NA |
| | | | CAUTION LABEL (TRANSPORT CLAMP) (M4, M6) |
| | | 160 | NA |
| | | | CAUTION LABEL (GRIPPING POSITION) (M4, M6) |
| | | 161 | NA |
| | | | CAUTION LABEL (COVER SW BOX) (M4, M6) |
| | | 162 | NA |
| | | | CAUTION LABEL (M4, M6) |
| | | Expanded Model Nomenclature | |
| | | M1 - RXYQ120TAYCU | |
| | | M2 - RXYQ120TAYDU | |
| | | M3 - RXYQ144TAYCU | |
| | | M4 - RXYQ144TAYDU | |
| | | M5 - RXYQ168TAYCU | |
| | | M6 - RXYQ168TAYDU | |
| | | M7 - RXYQ72TAYCU | |
| | | M8 - RXYQ72TAYDU | |
| | | M9 - RXYQ96TAYCU | |
| | | M10 - RXYQ96TAYDU | |



| Ref. Part No: | Part No: | Description: | Ref. Part No: | Part No: | Description: |
|----------------------|-----------------|---|------------------------------------|-----------------|-------------------------------------|
| <i>Image 1:</i> | | | <i>Image 1:</i> | | |
| 9 | 7009559 | PLATE FINNED COIL HEAT EXCH. ASSY. (M4, M6) | 114 | 7009478 | STAY (RIGHT/ LEFT) (M4, M6) |
| 58 | 7009517 | PROPELLER FAN ASSY. (M4, M6) | 115 | 7009479 | REINFORCED PLATE (M4, M6) |
| 59 | 057178J | HEX. SOCKET SCREW (M4, M6) | 116 | 7009481 | SUPPORT (M4, M6) |
| 60 | 7009549 | EL. COMPO. BOX COVER ASSY. (M4, M6) | 117 | 7009588 | BELL MOUTH (M4, M6) |
| 61 | 7009585 | WIRE HARNESS ASSY. (M4, M6) | 118 | 7009538 | BRACKET (M4, M6) |
| 62 | 4012625 | WIRE HARNESS ASSY. (M4, M6) | 119 | 7009539 | TOP PLATE ASSY. (M4, M6) |
| 63 | 1420289 | FERRITE CORE (M4, M6) | 120 | 7009540 | PROTECTION NET (FRONT) (M4, M6) |
| 64 | 5009816 | INSULATION SHEET (TF RUBBER) (M4, M6) | 121 | 042396J | FITTING SPRING/ THERMISTOR (M4, M6) |
| 65 | 2130503 | INSULATION SHEET (M4, M6) | 122 | 7009541 | COVER/ SWITCH BOX (M4, M6) |
| 66 | 7009439 | PRINTED CIRCUIT ASSY. (MAIN) (M4, M6) | 123 | 1287778 | INSPECTION HOLE (M4, M6) |
| 67 | 4012544 | PRINTED CIRCUIT ASSY. (NOISE FILTER) (M4, M6) | 126 | 7009486 | HEX. HEAD TAPPING SCREW (M4, M6) |
| 68 | 7009579 | PRINTED CIRCUIT ASSY. (INVERTER) (M4, M6) | 127 | 1198397 | GROUNDING TERMINAL (M4, M6) |
| 69 | 4012546 | LOCKING CARD SPACER (M4, M6) | 131 | 493462 | TAPPING SCREW (M4, M6) |
| 70 | 7009580 | SET PLATE/ INVERTER (M4, M6) | 132 | 025047J | HEX. HEAD TAPPING SCREW (M4, M6) |
| 71 | 7009581 | PRINTED CIRCUIT ASSY. (INVERTER) (M4, M6) | 133 | 356556 | HEX. TAPPING SCREW (M4, M6) |
| 72 | 4012546 | LOCKING CARD SPACER (M4, M6) | 163 | 7009480 | SIDE PLATE (M4, M6) |
| 73 | 7009582 | SET PLATE/ IMPLEMENT (M4, M6) | Expanded Model Nomenclature | | |
| 74 | 1716788 | PRINTED CIRCUIT ASSY. (ABC I/P) (M4, M6) | M1 - RXYQ120TAYCU | | |
| 75 | 1679308 | REACTOR (M4, M6) | M2 - RXYQ120TAYDU | | |
| 76 | 7009522 | TERMINAL BLOCK (M4, M6) | M3 - RXYQ144TAYCU | | |
| 77 | 4012622 | PRINTED CIRCUIT ASSY. (FAN) (M4, M6) | M4 - RXYQ144TAYDU | | |
| 78 | 4012621 | PRINTED CIRCUIT ASSY. (FAN) (M4, M6) | M5 - RXYQ168TAYCU | | |
| 79 | 4012626 | WIRE HARNESS ASSY. (M4, M6) | M6 - RXYQ168TAYDU | | |
| 80 | 1420289 | FERRITE CORE (M4, M6) | M7 - RXYQ72TAYCU | | |
| 81 | 7009583 | WIRE HARNESS ASSY. (COMP.) (M4, M6) | M8 - RXYQ72TAYDU | | |
| 82 | 064527J | LINE FILTER (M4, M6) | M9 - RXYQ96TAYCU | | |
| 83 | 7009584 | WIRE HARNESS ASSY. (COMP.) (M4, M6) | M10 - RXYQ96TAYDU | | |
| 84 | 064527J | LINE FILTER (M4, M6) | | | |
| 85 | 1782095 | THERMISTOR (AIR A1P) ASSY. (M4, M6) | | | |
| 86 | 1352348 | CONNECTOR/ SHORT CIRCUIT (M4, M6) | | | |
| 87 | 5009817 | INSULATION SHEET (TF RUBBER) (M4, M6) | | | |
| 88 | 2117168 | CURRENT TRANSFORMER (M4, M6) | | | |
| 89 | 7009524 | EL. COMPO. MOUNTING PLATE (INVERTER) (M4, M6) | | | |
| 90 | 7009525 | SET PLATE/ IMPLEMENT USE (M4, M6) | | | |
| 91 | 7009526 | PCB MOUNTING PLATE (M4, M6) | | | |
| 92 | 7009527 | MOUNTING PLATE (THERMISTOR) (M4, M6) | | | |
| 93 | 066578J | CUP WASHER (M4, M6) | | | |
| 94 | 080714J | GROUNDING TERMINAL (M4, M6) | | | |
| 95 | 7009529 | EL. COMPO. MOUNTING PLATE (M4, M6) | | | |
| 96 | 380401 | LOCKING CARD SPACER (M4, M6) | | | |
| 97 | 5009489 | FERRITE CORE (M4, M6) | | | |
| 98 | 2031550 | FERRITE CORE (M4, M6) | | | |
| 99 | 5009491 | FERRITE CORE (M4, M6) | | | |
| 100 | 5009496 | THERMISTOR ASSY. (M4, M6) | | | |
| 101 | 5009498 | THERMISTOR ASSY. (M4, M6) | | | |
| 102 | 7009558 | EL. COMPO. ASSY. (TRANSFORMER) (M4, M6) | | | |
| 103 | 7009503 | LOW FREQUENCY TRANSFORMER (M4, M6) | | | |
| 104 | 7009504 | SWITCH BOX (M4, M6) | | | |
| 105 | 4012442 | FAN MOTOR (M4, M6) | | | |
| 106 | 7009574 | BOTTOM FRAME (M4, M6) | | | |
| 107 | 7009531 | FRONT PLATE (UPPER) (M4, M6) | | | |
| 108 | 7009471 | SIDE PLATE (UPPER) (M4, M6) | | | |
| 109 | 7009532 | FRONT PLATE (M4, M6) | | | |
| 110 | 7009533 | FRONT PLATE (BOTTOM) (M4, M6) | | | |
| 111 | 7009534 | MOTOR MOUNTING PLATE (M4, M6) | | | |
| 112 | 7009536 | STAY ASSY. (FRONT) (M4, M6) | | | |
| 113 | 7009537 | STAY (REAR) (M4, M6) | | | |