

RXSQ TAVJU Outdoor VRV Units**

RXSQ24TAVJU
RXSQ36TAVJU
RXSQ48TAVJU
RXSQ60TAVJU



This manual is to be used by qualified technicians only.

Important Information

Index

Functional Parts List	3
Illustration and Parts	4 - 9

Views shown are for parts illustrations only, not servicing procedures

Text Codes:

AR - As Required

NA - Not Available

NS - Not Shown

00000000 - See Note

QTY - Quantity Example (QTY 3) (If Quantity not shown, Quantity = 1)

M - Model Example (M1) (If M Code not shown, then part is used on all Models)

Expanded Model Nomenclature:

Example M1 - Model#1 M2 - Model#2 M3 - Model#3

Daikin North America, LLC is not responsible for personal injury or property damage resulting from improper service. Review all service information before beginning repairs.

Warranty service must be performed by an authorized technician, using authorized factory parts. If service is required after the warranty expires, Daikin North America, LLC also recommends contacting an authorized technician and using authorized factory parts.

Daikin North America, LLC reserves the right to discontinue, or change at any time, specifications or designs without notice or without incurring obligations.

For assistance within the U.S.A. contact:

Homeowner Support
Daikin North America, LLC
19001 Kermier Road
Waller, Texas 77484
855-770-5678-Telephone
713-863-2382-Facsimile

For assistance outside the U.S.A. contact:

International Division
Daikin North America, LLC
19001 Kermier Road
Waller, Texas 77484
713-861-2500-Telephone
713-863-2382-Facsimile

Functional Parts

Part

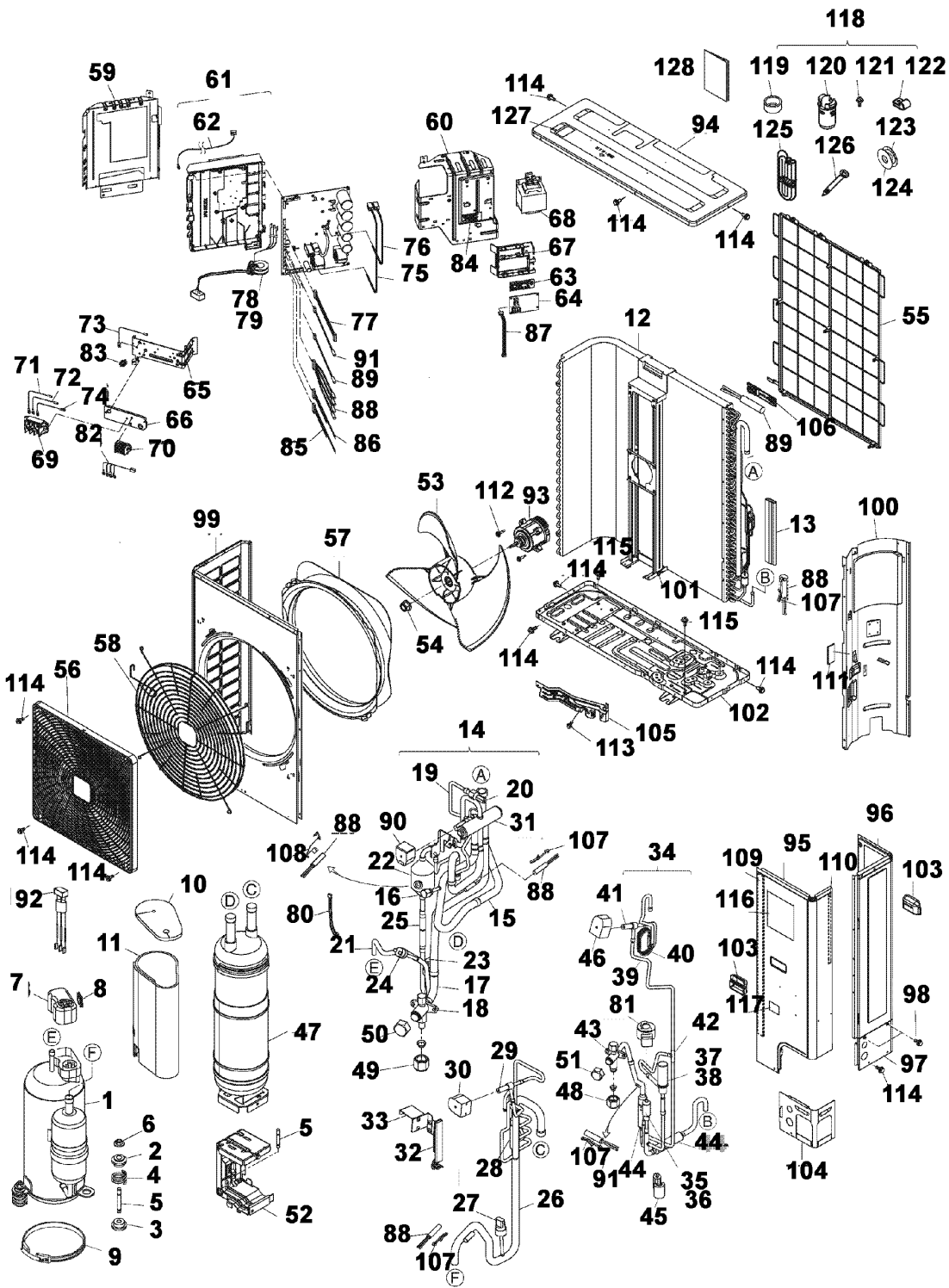
No: Description:

065336J	CAPACITY SETTING ADAPTOR (M3)
064060J	CAPACITY SETTING ADAPTOR (M4)
107638J	CHECK VALVE (M3, M4)
142053J	CHECK VALVE (M1, M2)
6024201	CRANK CASE HEATER
2024336	DC FAN MOTOR (M4)
4016748	DC FAN MOTOR (M3)
6016145	FAN MOTOR (M1, M2)
1885374	FIN THERMISTOR (M1, M2)
1721122	FUSIBLE PLUG
6023718	HIGH PRESSURE SENSOR
151107J	HIGH PRESSURE SWITCH
6023719	LOW PRESSURE SENSOR
6026136	PRESSURE CONTROL VALVE
6025924	PRINTED CIRCUIT ASSY. (M4)
1718018	PRINTED CIRCUIT ASSY. (C/H SELECTOR) (M1, M2)
6027046	PRINTED CIRCUIT ASSY. (MAIN) (M1)
6027047	PRINTED CIRCUIT ASSY. (MAIN) (M2)
1939101	PRINTED CIRCUIT ASSY. (SERVICE) (M1, M2)
131407J	REACTOR (M1, M2)
148325J	STOP VALVE
161710J	STOP VALVE (GAS LINE)
6025911	SWING COMPRESSOR (M1, M2)
6025930	SWING COMPRESSOR (M3, M4)
6024270	THERMISTOR (M3)
6024274	THERMISTOR (M4)
6024275	THERMISTOR (M4)
6018704	THERMISTOR (AIR) (M1, M2, M3)
1718032	THERMISTOR (AIR) (M4)

Expanded Model Nomenclature

M1 - RXSQ24TAVJU
M2 - RXSQ36TAVJU
M3 - RXSQ48TAVJU
M4 - RXSQ60TAVJU

— TOP —



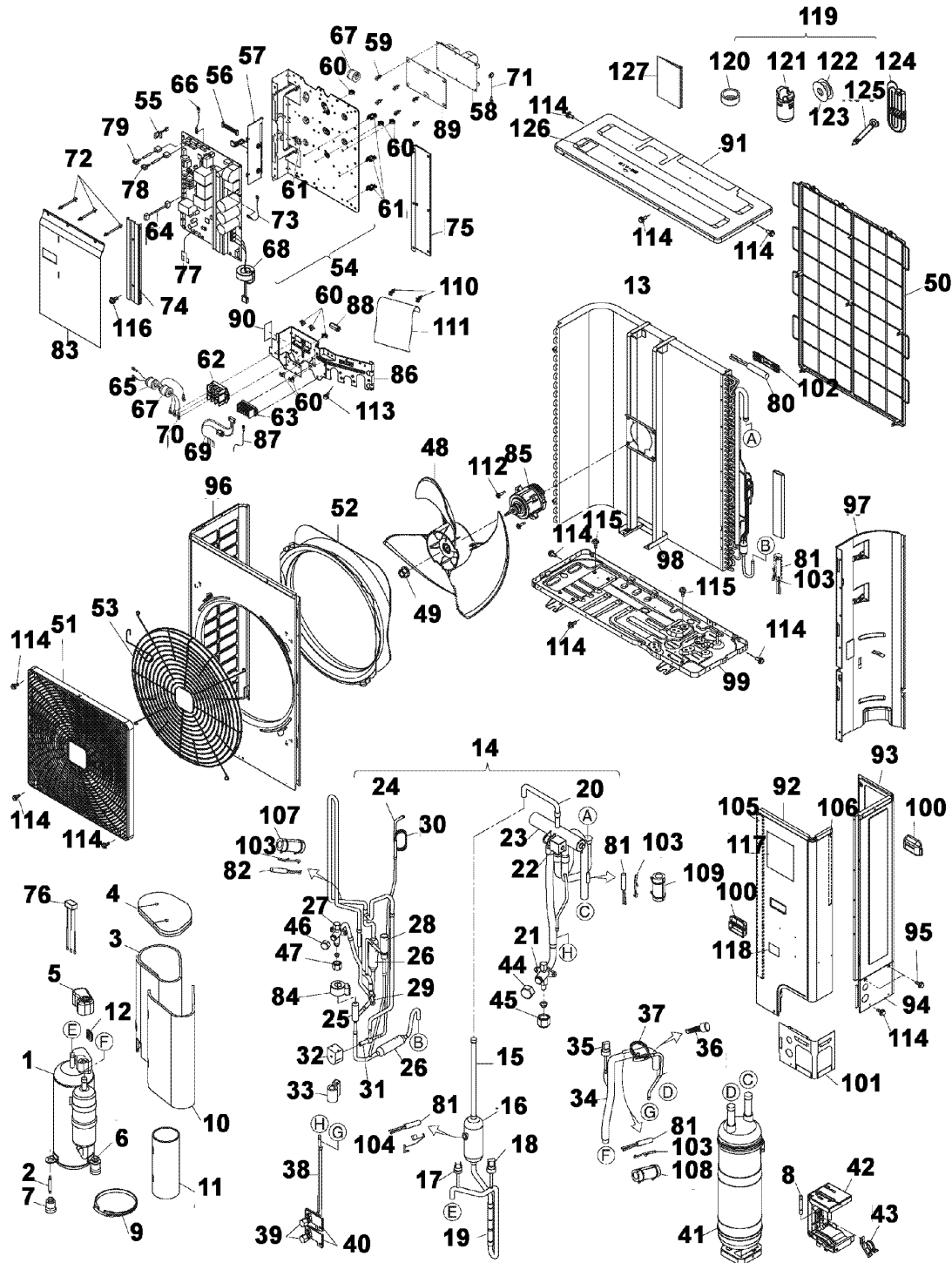
RXSQ24TAVJU / RXSQ36TAVJU (RoHS application)

Ref. Part No: No:	Description:	Ref. Part No: No:	Description:
Image 1:		Image 1:	
1	6025911 SWING COMPRESSOR (M1, M2)	60	6018700 MOUNTING PLATE/ ELECTRIC DEVICES (COVER) (M1, M2)
2	096039J SPRING HOLDER (1) (M1, M2)	61	6027046 PRINTED CIRCUIT ASSY. (MAIN) (M1)
3	390215J SPRING HOLDER (2) (M1, M2)	61	6027047 PRINTED CIRCUIT ASSY. (MAIN) (M2)
4	390208J MOUNTING SPRING (M1, M2)	62	1885374 FIN THERMISTOR (M1, M2)
5	076850J SET BOLT/ COMPRESSOR (M1, M2)	63	1939101 PRINTED CIRCUIT ASSY. (SERVICE) (M1, M2)
6	135859J FLANGE NUT (M1, M2)	64	1718018 PRINTED CIRCUIT ASSY. (C/H SELECTOR) (M1, M2)
7	6026803 TERMINAL COVER (M1, M2)	65	6018702 MOUNTING PLATE (TERMINAL BLOCK) (M1, M2)
8	040139J RUBBER BUSH/ LEAD WIRE (M1, M2)	66	6018398 MOUNTING PLATE ASSY. (M1, M2)
9	6024201 CRANK CASE HEATER (M1, M2)	67	6018399 PCB MOUNTING PLATE (SERVICE) (M1, M2)
10	1727803 SOUND INSULATION (INNER TOP) (M1, M2)	68	131407J REACTOR (M1, M2)
11	6005458 SOUND INSULATION (INNER) (M1, M2)	69	1617139 TERMINAL BLOCK (M1, M2)
12	6021439 CROSS-FIN CONDENSER ASSY. (M1, M2)	70	6018703 TERMINAL SEAT (M1, M2)
13	NA CUSHION MATERIAL (M1, M2)	71	1939149 WIRE HARNESS ASSY. (M1, M2)
14	NA FOUR WAY VALVE ASSY. (M1, M2)	72	1939156 WIRE HARNESS ASSY. (M1, M2)
15	NA REFRIGERANT PIPE ASSY. (M1, M2)	73	1939163 WIRE HARNESS ASSY. (M1, M2)
16	143265J SERVICING PORT ASSY. (M1, M2)	74	1939170 WIRE HARNESS ASSY. (M1, M2)
17	NA REFRIGERANT PIPE ASSY. (M1, M2)	75	1878624 WIRE HARNESS ASSY. (M1, M2)
18	161710J STOP VALVE (GAS LINE) (M1, M2)	76	1878631 WIRE HARNESS ASSY. (M1, M2)
19	NA SUCTION PIPE ASSY. (M1, M2)	77	1878299 WIRE HARNESS ASSY. (M1, M2)
20	1721122 FUSIBLE PLUG (M1, M2)	78	6018402 WIRE HARNESS ASSY. (COMPRESSOR) (M1, M2)
21	6026869 DISCHARGE PIPE ASSY. (M1, M2)	79	064527J LINE FILTER (M1, M2)
22	0739098 MUFFLER (M1, M2)	80	6018403 WIRE HARNESS ASSY. (M1, M2)
23	6023718 HIGH PRESSURE SENSOR (M1, M2)	81	6018705 COIL/ ELECTRIC EXP. VALVE (M1, M2)
24	151107J HIGH PRESSURE SWITCH (M1, M2)	82	1939194 WIRE HARNESS (M1, M2)
25	142053J CHECK VALVE (M1, M2)	83	027843J WIRE CLIP (M1, M2)
26	NA REFRIGERANT PIPE ASSY. (M1, M2)	84	NA CAUTION LABEL (M1, M2)
27	6023719 LOW PRESSURE SENSOR (M1, M2)	85	2105437 LEAD WIRE (HIGH PRESSURE SENSOR) (M1, M2)
28	232005J REFRIGERANT FILTER (M1, M2)	86	6018404 LEAD WIRE (LOW PRESSURE SENSOR) (M1, M2)
29	141151J BODY/ SOLENOID VALVE (HOT GAS) (M1, M2)	87	1721379 WIRE HARNESS ASSY. (C/H SELECTOR) (M1, M2)
30	1925885 COIL/ SOLENOID VALVE (HOT GAS) (M1, M2)	88	6018706 THERMISTOR ASSY. (M1, M2)
31	142657J BODY/ FOUR WAY VALVE (M1, M2)	89	6018704 THERMISTOR (AIR) (M1, M2)
32	NA PIPING FIXTURE (SVC) (M1, M2)	90	1925948 COIL/ FOUR WAY VALVE (M1, M2)
33	NA MOUNTING PLATE (SVC BODY) (M1, M2)	91	6025914 THERMISTOR ASSY. (LIQUID) (M1, M2)
34	NA ELECTRONIC EXP. VALVE ASSY. (M1, M2)	92	6025915 WIRE HARNESS ASSY. (RELAYING) (M1, M2)
35	NA ELECTRONIC EXP. VALVE ASSY. (M1, M2)	93	6016145 FAN MOTOR (M1, M2)
36	1801408 BODY/ ELECTRONIC EXP. VALVE (M1, M2)	94	6017478 TOP PLATE ASSY. (M1, M2)
37	NA REFRIGERANT PIPE ASSY. (M1, M2)	95	6017477 FRONT PLATE (2) (M1, M2)
38	6026136 PRESSURE CONTROL VALVE (M1, M2)	96	6016147 SIDE PLATE (M1, M2)
39	6025225 ELECTRONIC EXP. VALVE ASSY. (M1, M2)	97	2057444 PIPING COVER REAR (M1, M2)
40	NA CAPILLARY TUBE (M1, M2)	98	1905191 HEX. HEAD TAPPING (M1, M2)
41	141151J BODY/ SOLENOID VALVE (U/L CIRCUIT) (M1, M2)	99	6005488 FRONT PLATE (1) (M1, M2)
42	0339955 T-JOINT (M1, M2)	100	6018707 PARTITION PLATE (M1, M2)
43	148325J STOP VALVE (M1, M2)	101	6025916 FAN MOTOR STAND ASSY. (M1, M2)
44	232025J REFRIGERANT FILTER (M1, M2)	102	6018708 BOTTOM FRAME ASSY. (M1, M2)
45	138349J PUTTY (M1, M2)	103	6020399 HANDLE (M1, M2)
46	1925892 COIL/ SOLENOID VALVE (U/L CIRCUIT) (M1, M2)	104	2057468 COVER (FRONT) (M1, M2)
47	6018699 GAS LIQUID SEPARATOR ASSY. (M1, M2)	105	6023667 MOUNTING PLATE/ STOP VALVE (M1, M2)
48	119848J FLARE NUT (M1, M2)	106	157132J THERMISTOR FIXING PLATE (M1, M2)
49	119850J FLARE NUT (M1, M2)	107	042396J FITTING SPRING/ THERMISTOR (M1, M2)
50	139571J VALVE CAP (M1, M2)	108	069253J RETAINER/ THERMISTOR (M1, M2)
51	045432J STOP VALVE CAP (M1, M2)	109	144658J SEALING MATERIAL (M1, M2)
52	4008212 MOUNTING PLATE (M1, M2)	110	6016150 SEALER (SIDE PLATE) (M1, M2)
53	1864005 FAN BLADE (M1, M2)	111	NA SEALER (SIDE PLATE) (M1, M2)
54	847003J LOCK NUT/ FAN (M1, M2)	112	1877234 TAPPING SCREW (M1, M2)
55	6005475 AIR SUCTION GRILLE (M1, M2)	113	162753J SCREW/ C TIGHT CUP (M1, M2)
56	6008385 AIR DISCHARGE GRILLE ASSY. (M1, M2)	114	NA HEX. HEAD TAPPING SCREW (M1, M2)
57	6023720 BELL MOUTH (M1, M2)	115	131453J TRUSS HEAD TAPPING SCREW (M1, M2)
58	6025912 AIR OUTLET PROTECTION NET (M1, M2)		
59	6018393 MOUNTING PLATE/ ELECTRIC DEVICES (M1, M2)		

Ref. Part No:	Ref. Part No:	Description:	Description:
Image 1:			
116	7009692	BRAND NAME LABEL (M1, M2)	
117	1370409	INDICATION LABEL (M1, M2)	
118	6027048	ACCESSORY SET (M1, M2)	
119	1659094	DRAIN PAN (M1, M2)	
120	537651	DRAIN SOCKET (M1, M2)	
121	NA	TAPPING SCREW (M1, M2)	
122	1640432	WIRE CLAMP (SHIELD EARTH) (M1, M2)	
123	1997431	CONDUIT MOUNTING PLATE (M1, M2)	
124	1997448	CONDUIT MOUNTING PLATE (M1, M2)	
125	6025919	ELECTRIC INSULATION (M1, M2)	
126	980723J	WIRE CLAMP (M1, M2)	
127	6025920	CAUTION LABEL (M1, M2)	
128	NA	OPERATION MANUAL (M1, M2)	

Expanded Model Nomenclature

- | |
|------------------|
| M1 - RXSQ24TAVJU |
| M2 - RXSQ36TAVJU |
| M3 - RXSQ48TAVJU |
| M4 - RXSQ60TAVJU |



Ref. Part No: No:	Description:	Ref. Part No: No:	Description:
Image 1:		Image 1:	
1	6025930 SWING COMPRESSOR (M3)	60	1855171 PLASTIC BAND (M3)
2	2119809 SET BOLT/ COMPRESSOR (M3)	61	027843J WIRE CLIP (M3)
3	6019566 SOUND INSULATION (M3)	62	4005919 TERMINAL BLOCK (M3)
4	6019567 SOUND INSULATOR/ COMPRESSOR (M3)	63	6019577 TERMINAL BLOCK (M3)
5	6026803 TERMINAL COVER (M3)	64	6024262 WIRE HARNESS ASSY. (M3)
6	135859J FLANGE NUT (M3)	65	6024263 WIRE HARNESS ASSY. (M3)
7	2115782 VIBRATION ISOLATOR (M3)	66	6024264 WIRE HARNESS ASSY. (M3)
8	076850J SET BOLT/ COMPRESSOR (M3)	67	NA FERRITE CORE (M3)
9	6024201 CRANK CASE HEATER (M3)	68	6025925 WIRE HARNESS ASSY. (M3)
10	6020395 SOUND INSULATION (M3)	69	6024266 WIRE HARNESS ASSY. (M3)
11	6020393 SOUND INSULATION (M3)	70	6024607 WIRE HARNESS ASSY. (M3)
12	040139J RUBBER BUSH/ LEAD WIRE (M3)	71	6024608 EARTH WIRE (M3)
13	6019568 CROSS-FIN CONDENSER ASSY. (M3)	72	6024609 PLASTIC BAND (M3)
14	NA ACCUMULATOR ASSY. (M3)	73	6024267 WIRE HARNESS ASSY. (M3)
15	6024599 DISCHARGE PIPE ASSY. (M3)	74	6024610 COVER/ JACKET (M3)
16	6025016 MUFFLER (M3)	75	6024611 MOUNTING PLATE (M3)
17	151107J HIGH PRESSURE SWITCH (M3)	76	6025926 WIRE HARNESS ASSY. (COMP.) (M3)
18	6023718 HIGH PRESSURE SENSOR (M3)	77	172144J WIRE HARNESS ASSY. (HPS) (M3)
19	107638J CHECK VALVE (M3)	78	6024268 LEAD WIRE (M3)
20	NA FOUR WAY VALVE ASSY. (M3)	79	6024269 LEAD WIRE (M3)
21	161710J STOP VALVE (GAS LINE) (M3)	80	6018704 THERMISTOR (AIR) (M3)
22	4005910 COIL/ FOUR WAY VALVE (M3)	81	6018706 THERMISTOR ASSY. (LIQUID) (M3)
23	1946976 BODY/ FOUR WAY VALVE (M3)	82	6024270 THERMISTOR (M3)
24	NA ELECTRONIC EXP. VALVE ASSY. (M3)	83	6025927 INSULATION SHEET (M3)
25	167946J BODY/ ELECTRONIC EXP. VALVE (MAIN) (M3)	84	151109J COIL/ ELECTRONIC EXP. VALVE (M3)
26	065026J REFRIGERANT FILTER (M3)	85	4016748 DC FAN MOTOR (M3)
27	148325J STOP VALVE (M3)	86	6024612 STOP VALVE MOUNTING PLATE (M3)
28	6026136 PRESSURE CONTROL VALVE (M3)	87	6024613 WIRE HARNESS (M3)
29	1721122 WRAPPER ASSY MED (M3)	88	113479J FERRITE CORE (M3)
30	NA CAPILLARY TUBE (M3)	89	6025928 INSULATION SHEET (M3)
31	141151J BODY/ SOLENOID VALVE (U/L CIRCUIT) (M3)	90	NA CAUTION LABEL (M3)
32	4005912 COIL/ SOLENOID VALVE (U/L CIRCUIT) (M3)	91	6017478 TOP PLATE ASSY. (M3)
33	1721292 SOUNDPROOF PUTTY (M3)	92	6017477 FRONT PLATE (2) (M3)
34	6024602 SUCTION PIPE ASSY. (2) (M3)	93	6024280 SIDE PLATE (RIGHT) (M3)
35	6023719 LOW PRESSURE SENSOR (M3)	94	2057444 PIPING COVER REAR (M3)
36	111167J STRAINER (M3)	95	NA HEX. HEAD TAPPING SCREW (M3)
37	NA REFRIGERANT PIPE (CAPILLARY TUBE) (M3)	96	6024277 FRONT PLATE (M3)
38	6024603 REFRIGERANT PIPE ASSY. (M3)	97	6024282 PARTITION PLATE (M3)
39	151454J BODY/ SERVICING PORT (M3)	98	6024283 MOTOR BASE (M3)
40	6024604 MOUNTING PLATE (M3)	99	6018708 BOTTOM FRAME ASSY. (M3)
41	6019570 GAS LIQUID SEPARATOR ASSY. (M3)	100	6020399 HANDLE (M3)
42	4008212 MOUNTING PLATE (M3)	101	2057468 COVER (FRONT) (M3)
43	6024605 PIPING FIXTURE (M3)	102	157132J THERMISTOR FIXING PLATE (M3)
44	139571J VALVE CAP (M3)	103	042396J FITTING SPRING/ THERMISTOR (M3)
45	119850J FLARE NUT (M3)	104	069253J RETAINER/ THERMISTOR (M3)
46	045432J STOP VALVE CAP (M3)	105	144658J SEALING MATERIAL (M3)
47	119848J FLARE NUT (M3)	106	6016150 SEALER (SIDE PLATE) (M3)
48	1864005 FAN BLADE (M3)	107	6025359 THERMAL INSULATION TUBE (M3)
49	847003J LOCK NUT/ FAN (M3)	108	6025358 THERMAL INSULATION TUBE (M3)
50	6005475 AIR SUCTION GRILLE (M3)	109	6025360 THERMAL INSULATION TUBE (M3)
51	6008385 AIR DISCHARGE GRILLE ASSY. (M3)	110	380401J LOCKING CARD SPACER (M3)
52	6023720 BELL MOUTH (M3)	111	6024614 INSULATION SHEET (M3)
53	6025912 AIR OUTLET PROTECTION NET (M3)	112	1877234 TAPPING SCREW (M3)
54	6027049 EL. COMPO. BOX COVER (M3)	113	162753J SCREW/ C TIGHT CUP (M3)
55	065336J CAPACITY SETTING ADAPTOR (M3)	114	NA HEX. HEAD TAPPING SCREW (M3)
56	6025364 WIRE HARNESS ASSY. (M3)	115	131453J TRUSS HEAD TAPPING SCREW (M3)
57	6024606 PCB MOUNTING PLATE (M3)	116	4016867 HEX. BOLT (M3)
58	6025924 PRINTED CIRCUIT ASSY. (M3)	117	7009692 BRAND NAME LABEL (M3)
59	380401J LOCKING CARD SPACER (M3)	118	1370409 INDICATION LABEL (M3)

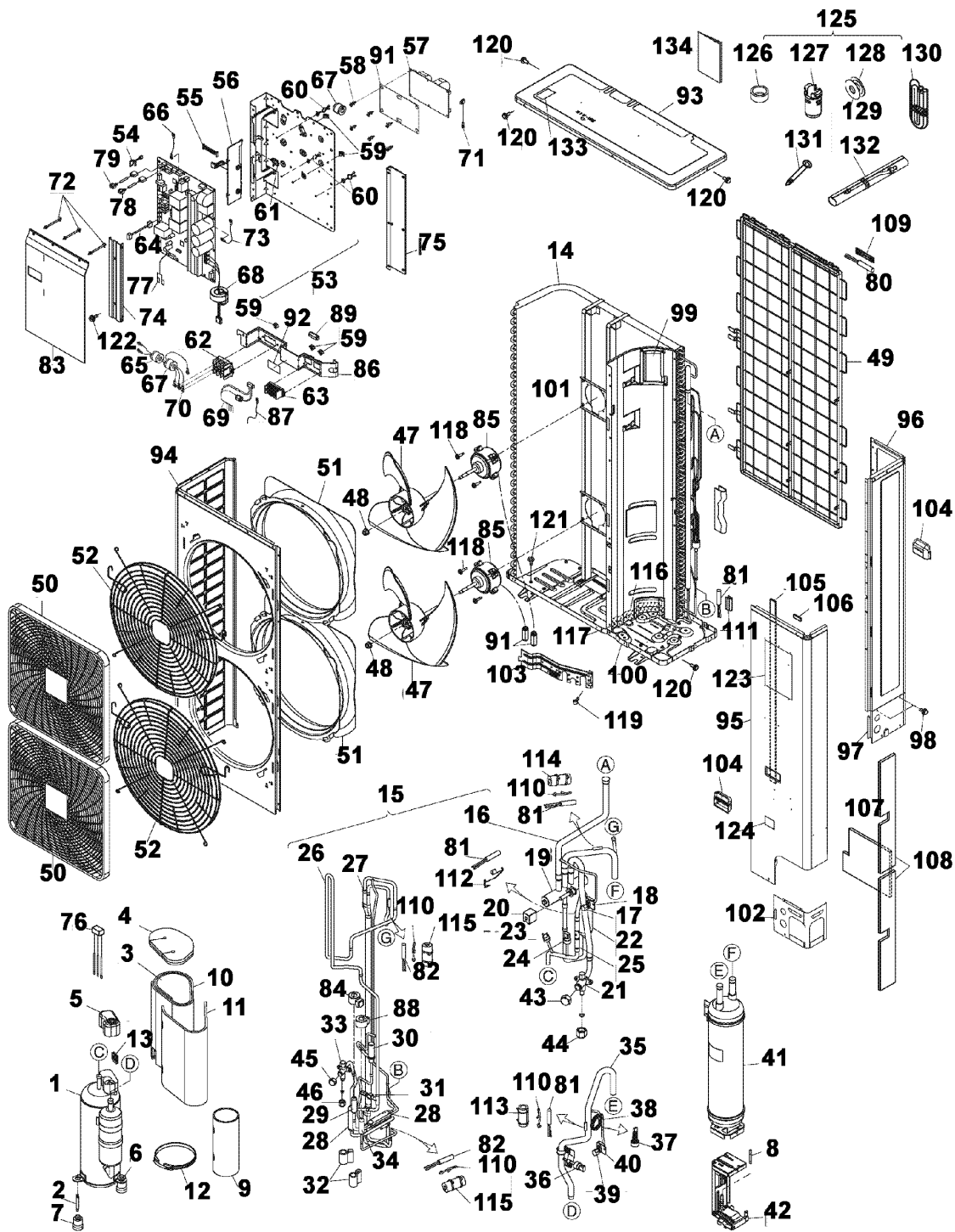
Ref. Part No:	Part No:	Description:	Ref. Part No:	Part No:	Description:
---------------	----------	--------------	---------------	----------	--------------

Image 1:

119	6027052	ACCESSORY SET (M3)
120	1659094	DRAIN PAN (M3)
121	537651	DRAIN SOCKET (M3)
122	1997431	CONDUIT MOUNTING PLATE (M3)
123	1997448	CONDUIT MOUNTING PLATE (M3)
124	6025919	ELECTRIC INSULATION (M3)
125	980723J	WIRE CLAMP (M3)
126	6025920	CAUTION LABEL (M3)
127	NA	OPERATION MANUAL (M3)

Expanded Model Nomenclature

M1 - RXSQ24TAVJU
M2 - RXSQ36TAVJU
M3 - RXSQ48TAVJU
M4 - RXSQ60TAVJU



RXSQ60TAVJU (RoHS application)

Ref. Part No: No:	Description:	Ref. Part No: No:	Description:
<i>Image 1:</i>		<i>Image 1:</i>	
1	6025930 SWING COMPRESSOR (M4)	58	380401J LOCKING CARD SPACER (M4)
2	2119809 SET BOLT/ COMPRESSOR (M4)	59	1855171 PLASTIC BAND (M4)
3	6019566 SOUND INSULATION (M4)	60	101207J CLAMP/ POWER CORD (M4)
4	6019567 SOUND INSULATOR/ COMPRESSOR (M4)	61	027843J WIRE CLIP (M4)
5	6026803 TERMINAL COVER (M4)	62	4005919 TERMINAL BLOCK (M4)
6	135859J FLANGE NUT (M4)	63	6019577 TERMINAL BLOCK (M4)
7	2115782 VIBRATION ISOLATOR (M4)	64	6024262 WIRE HARNESS ASSY. (M4)
8	076850J SET BOLT/ COMPRESSOR (M4)	65	6024263 WIRE HARNESS ASSY. (M4)
9	6020393 SOUND INSULATION (M4)	66	6024264 WIRE HARNESS ASSY. (M4)
10	6020394 SOUND INSULATION (M4)	67	NA FERRITE CORE (M4)
11	6024615 SOUND INSULATION (M4)	68	6025935 WIRE HARNESS ASSY. (M4)
12	6024201 CRANK CASE HEATER (M4)	69	6024273 WIRE HARNESS ASSY. (M4)
13	040139J RUBBER BUSH/ LEAD WIRE (M4)	70	6024607 WIRE HARNESS ASSY. (M4)
14	6019584 CROSS-FIN CONDENSER ASSY. (M4)	71	6024608 EARTH WIRE (M4)
15	NA ACCUMULATOR ASSY. (M4)	72	6024609 PLASTIC BAND (M4)
16	NA FOUR WAY VALVE ASSY. (M4)	73	6024267 WIRE HARNESS ASSY. (M4)
17	151454J BODY/ SERVICING PORT (M4)	74	6024610 COVER/ JACKET (M4)
18	6025438 MOUNTING PLATE (M4)	75	6024611 MOUNTING PLATE (M4)
19	1946976 BODY/ FOUR WAY VALVE (M4)	76	6025926 WIRE HARNESS ASSY. (COMP.) (M4)
20	4005910 COIL/ FOUR WAY VALVE (M4)	77	6024276 WIRE HARNESS ASSY. (HPS) (M4)
21	161710J STOP VALVE (GAS LINE) (M4)	78	6024268 LEAD WIRE (M4)
22	6025016 MUFFLER (M4)	79	6024269 LEAD WIRE (M4)
23	151107J HIGH PRESSURE SWITCH (M4)	80	1718032 THERMISTOR (AIR) (M4)
24	6023718 HIGH PRESSURE SENSOR (M4)	81	6024275 THERMISTOR (M4)
25	107638J CHECK VALVE (M4)	82	6024274 THERMISTOR (M4)
26	6024617 ELECTRONIC EXP. VALVE ASSY. (M4)	83	6025927 INSULATION SHEET (M4)
27	1722101 DOUBLE TUBE HEAT EXCH. ASSY. (M4)	84	151109J COIL/ ELECTRONIC EXP. VALVE (MAIN) (M4)
28	065026J REFRIGERANT FILTER (M4)	85	2024336 DC FAN MOTOR (M4)
29	167946J BODY/ ELECTRONIC EXP. VALVE (MAIN) (M4)	86	6024619 TERMINAL STRIP FIXTURE (M4)
30	6026136 PRESSURE CONTROL VALVE (M4)	87	6024613 WIRE HARNESS (M4)
31	1721122 FUSIBLE PLUG (M4)	88	6024620 COIL/ ELECTRONIC EXP. VALVE (SUB COOL) (M4)
32	1721292 SOUNDPROOF PUTTY (M4)		
33	148325J STOP VALVE (M4)	89	113479J FERRITE CORE (M4)
34	142054J BODY/ ELECTRONIC EXP. VALVE (SUB COOL) (M4)	90	1307766 FERRITE CORE (M4)
		91	6025928 INSULATION SHEET (M4)
35	6024618 SUCTION PIPE ASSY. (M4)	92	NA CAUTION LABEL (M4)
36	6023719 LOW PRESSURE SENSOR (M4)	93	149969J TOP PLATE ASSY. (M4)
37	111167J STRAINER (M4)	94	6024278 FRONT PLATE (M4)
38	NA REFRIGERANT PIPE (CAPILLARY TUBE) (M4)	95	6026806 FRONT PLATE (2) (M4)
39	151454J BODY/ SERVICING PORT (M4)	96	6020397 SIDE PLATE (RIGHT) ASSY. (M4)
40	6025438 MOUNTING PLATE (M4)	97	2057444 PIPING COVER REAR (M4)
41	6000707 GAS LIQUID SEPARATOR ASSY. (M4)	98	NA HEX. HEAD TAPPING SCREW (M4)
42	6003084 MOUNTING PLATE/ GAS LIQUID SEPARATOR (M4)	99	6024281 PARTITION PLATE (M4)
		100	6018406 BOTTOM FRAME ASSY. (M4)
43	139571J VALVE CAP (M4)	101	6025481 MOTOR BASE (M4)
44	119850J FLARE NUT (M4)	102	2057468 COVER (FRONT) (M4)
45	045432J STOP VALVE CAP (M4)	103	6024284 SET PLATE/ STOP VALVE (M4)
46	119848J FLARE NUT (M4)	104	6020399 HANDLE (M4)
47	1701546 FAN BLADE (M4)	105	144658J SEALING MATERIAL (M4)
48	847003J LOCK NUT/ FAN (M4)	106	1722226 SEALING MATERIAL (M4)
49	6020396 AIR SUCTION GRILLE (M4)	107	1625178 SOUND ABSORPTION (FRONT PLATE 2) (M4)
50	1381896 AIR DISCHARGE GRILLE (M4)	108	1625217 SOUND ABSORPTION (FRONT PLATE 2) (M4)
51	1556210 BELL MOUTH (M4)	109	157132J THERMISTOR FIXING PLATE (M4)
52	6025931 AIR OUTLET PROTECTION NET (M4)	110	042396J FITTING SPRING/ THERMISTOR (M4)
53	6027050 EL. COMPO. BOX COVER (M4)	111	6025446 FIXTURE/ THERMISTOR (M4)
54	064060J CAPACITY SETTING ADAPTOR (M4)	112	069253J RETAINER/ THERMISTOR (M4)
55	6025364 WIRE HARNESS ASSY. (M4)	113	NA THERMAL INSULATION TUBE (M4)
56	6024606 PCB MOUNTING PLATE (M4)	114	6025358 THERMAL INSULATION TUBE (M4)
57	6025924 PRINTED CIRCUIT ASSY. (M4)	115	6025359 THERMAL INSULATION TUBE (M4)

Ref. Part No: No:	Description:	Ref. Part No: No:	Description:
-------------------	--------------	-------------------	--------------

Image 1:

116	NA	SOUND INSULATION (M4)
117	NA	PUTTY (M4)
118	140380J	WASHER FACED HEAD TAPPING SCREW (M4)
119	162753J	SCREW/ C TIGHT CUP (M4)
120	NA	HEX. HEAD TAPPING SCREW (M4)
121	131453J	TRUSS HEAD TAPPING SCREW (M4)
122	4016867	HEX. BOLT (M4)
123	7009692	BRAND NAME LABEL (M4)
124	1370409	INDICATION LABEL (M4)
125	6027051	ACCESSORY SET (M4)
126	1659094	DRAIN PAN (M4)
127	537651	DRAIN SOCKET (M4)
128	1997431	CONDUIT MOUNTING PLATE (M4)
129	1997448	CONDUIT MOUNTING PLATE (M4)
130	6025919	ELECTRIC INSULATION (M4)
131	980723J	WIRE CLAMP (M4)
132	6024621	ACCESSORY SET (M4)
133	6025920	CAUTION LABEL (M4)
134	NA	OPERATION MANUAL (M4)

Expanded Model Nomenclature

M1 - RXSQ24TAVJU
M2 - RXSQ36TAVJU
M3 - RXSQ48TAVJU
M4 - RXSQ60TAVJU