

RKB Outdoor Cooling Mini-Split RXB Outdoor Heat Pump Mini-Split

RKB09AXVJU

RKB12AXVJU

RKB18AXVJU

RKB24AXVJU

RXB09AXVJU

RXB12AXVJU

RXB18AXVJU

RXB24AXVJU



This manual is to be used by qualified technicians only.

Important Information

Index

Functional Parts List	3
Illustration and Parts	4 - 7

Views shown are for parts illustrations only, not servicing procedures

Text Codes:

AR - As Required

NA - Not Available

NS - Not Shown

00000000 - See Note

QTY - Quantity Example (QTY 3) (If Quantity not shown, Quantity = 1)

M - Model Example (M1) (If M Code not shown, then part is used on all Models)

Expanded Model Nomenclature:

Example M1 - Model#1 M2 - Model#2 M3 - Model#3

Daikin Manufacturing Company, L.P. is not responsible for personal injury or property damage resulting from improper service. Review all service information before beginning repairs.

Warranty service must be performed by an authorized technician, using authorized factory parts. If service is required after the warranty expires, Daikin Manufacturing Company, L.P. also recommends contacting an authorized technician and using authorized factory parts.

Daikin Manufacturing Company, L.P. reserves the right to discontinue, or change at any time, specifications or designs without notice or without incurring obligations.

For assistance within the U.S.A. contact:

Homeowner Support
Daikin North America, LLC
19001 Kermier Road
Waller, Texas 77484
855-770-5678-Telephone
713-863-2382-Facsimile

For assistance outside the U.S.A. contact:

International Division
Daikin North America, LLC
19001 Kermier Road
Waller, Texas 77484
713-861-2500-Telephone
713-863-2382-Facsimile

Functional Parts

Part

No: Description:

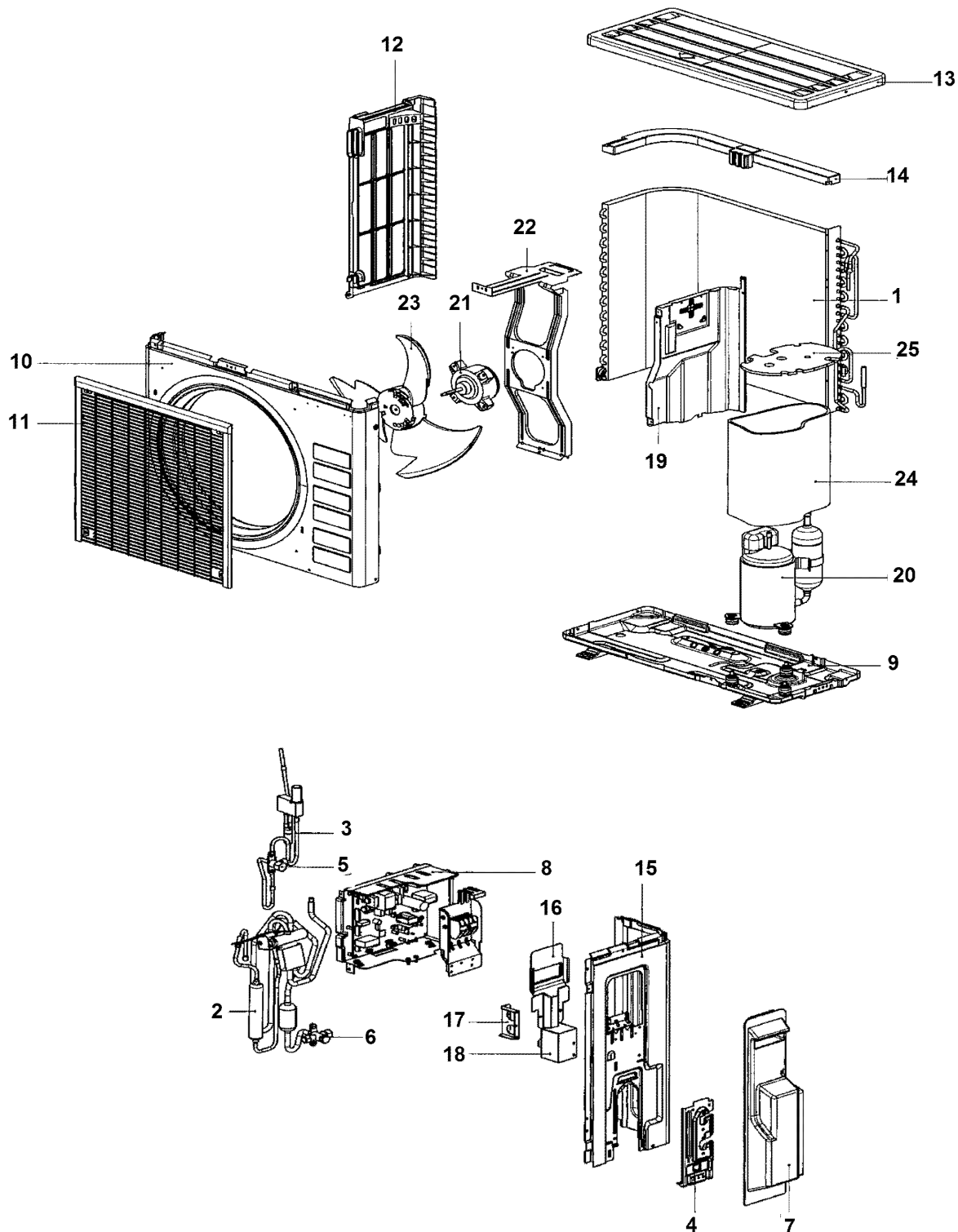
4010096	BODY/ FOUR WAY VALVE (M7, M8)
4009130	COIL/ SOLENOID VALVE (4WV) (M7, M8)
4012943	COIL/ SOLENOID VALVE (EXV) (M3, M4, M7, M8)
4012946	COMPRESSOR (M3, M4, M7, M8)
4015889	Compressor (M1, M2, M5, M6)
4020637	Control Box Assy (M1, M2, M5, M6)
4022328	CONTROL BOX ASSY. (M8)
4022327	CONTROL BOX ASSY. (M4)
4022326	CONTROL BOX ASSY. (M3, M7)
4020700	ELECTRONIC EXPANSION VALVE (M7)
4020699	ELECTRONIC EXPANSION VALVE (M3)
4013158	EXV VALVE ASSY. (M4, M8)
4009588	FAN MOTOR (M3, M4, M7, M8)
4009122	FAN PROPELLER (M3, M7)
4011977	Fan Propeller (M1, M2, M5, M6)
4012945	FAN PROPELLER (M4, M8)
4017514	Motor (M1, M2, M5, M6)
4019826	Outdoor Coil Assy (M2)
4019825	Outdoor Coil Assy (M1)
4012208	Outdoor Coil Assy (M5)
4012207	Outdoor Coil Assy (M6)
4015879	OUTDOOR COIL ASSY. (M3, M7)
4012209	OUTDOOR COIL ASSY. (M4, M8)
4009130	Solenoid Coil (4WV) (M5, M6)
4015884	Solenoid Coil (EXV) (M1, M2, M5, M6)
4018673	VALVE ASSY. 2 WAY (M3, M4, M7, M8)
4018682	VALVE ASSY. 3 WAY (M3, M7)
4010425	Valve, 4WV (M5, M6)
4018672	Valve, Assy 2 Way 1/4" (M1, M2, M5, M6)
4018678	Valve, Assy 3 Way 3/8" (M1, M2, M5, M6)
4020632	Valve, EXV (M1, M2, M5, M6)

Expanded Model Nomenclature

M1 - RKB09AXVJU
M2 - RKB12AXVJU
M3 - RKB18AXVJU
M4 - RKB24AXVJU
M5 - RXB09AXVJU
M6 - RXB12AXVJU
M7 - RXB18AXVJU
M8 - RXB24AXVJU

RKB09/12 and RXB09/12

RKB09AXVJU / RKB12AXVJU / RXB09AXVJU / RXB12AXVJU
(5SLY10F-KWDOA-R56 / 5SLY15F-KWDOA-R56 /
5SLY10FR-KWDOA-R56 / 5SLY15FR-KWDOA-R56)



RKB09/12 and RXB09/12

Ref. Part No:	Part No:	Description:	Ref. Part No:	Part No:	Description:
---------------	----------	--------------	---------------	----------	--------------

Image 1:

1	4012207	Outdoor Coil Ass y (M6)
1	4012208	Outdoor Coil Ass y (M5)
1	4019825	Outdoor Coil Ass y (M1)
1	4019826	Outdoor Coil Ass y (M2)
2	4009130	Solenoid Coil (4WV) (M5, M6)
2	4010425	Valve, 4WV (M5, M6)
3	4015884	Solenoid Coil (EXV) (M1, M2, M5, M6)
3	4020632	Valve, EXV (M1, M2, M5, M6)
4	4010019	Valve Bracket (M1, M2, M5, M6)
5	4018672	Valve, Ass y 2 Way 1/4" (M1, M2, M5, M6)
6	4018678	Valve, Ass y 3 Way 3/8" (M1, M2, M5, M6)
7	4020634	Valve Cover (M1, M2, M5, M6)
8	4020637	Control Box Ass y (M1, M2, M5, M6)
9	4020636	Base Pan Ass y (M1, M2, M5, M6)
10	4017895	Panel Front (M1, M2, M5, M6)
11	4020635	Front Grille (M1, M2, M5, M6)
12	4013501	Panel Left Side (M1, M2, M5, M6)
13	4010043	Panel Top (M1, M2, M5, M6)
14	4010027	EPS Coil Top (M1, M2, M5, M6)
15	4010031	Panel Right Side (M1, M2, M5, M6)
16	4020629	Radiation Shield Plate (M1, M2, M5, M6)
17	4020631	Conduit Mounting Plate (M1, M2, M5, M6)
18	4020630	Conduit Plate Cover (M1, M2, M5, M6)
19	4015890	Partition Panel (M1, M2, M5, M6)
20	4015889	Compressor (M1, M2, M5, M6)
21	4017514	Motor (M1, M2, M5, M6)
22	4010026	Motor Bracket (M1, M2, M5, M6)
23	4011977	Fan Propeller (M1, M2, M5, M6)
24	4020633	Sound Insulation (Inner Sleeve) (M1, M2, M5, M6)
24	4020358	Sound Insulation (Outer Sleeve) (M1, M2, M5, M6)
25	4020359	Compressor Top Sound Insulation (M5, M6)

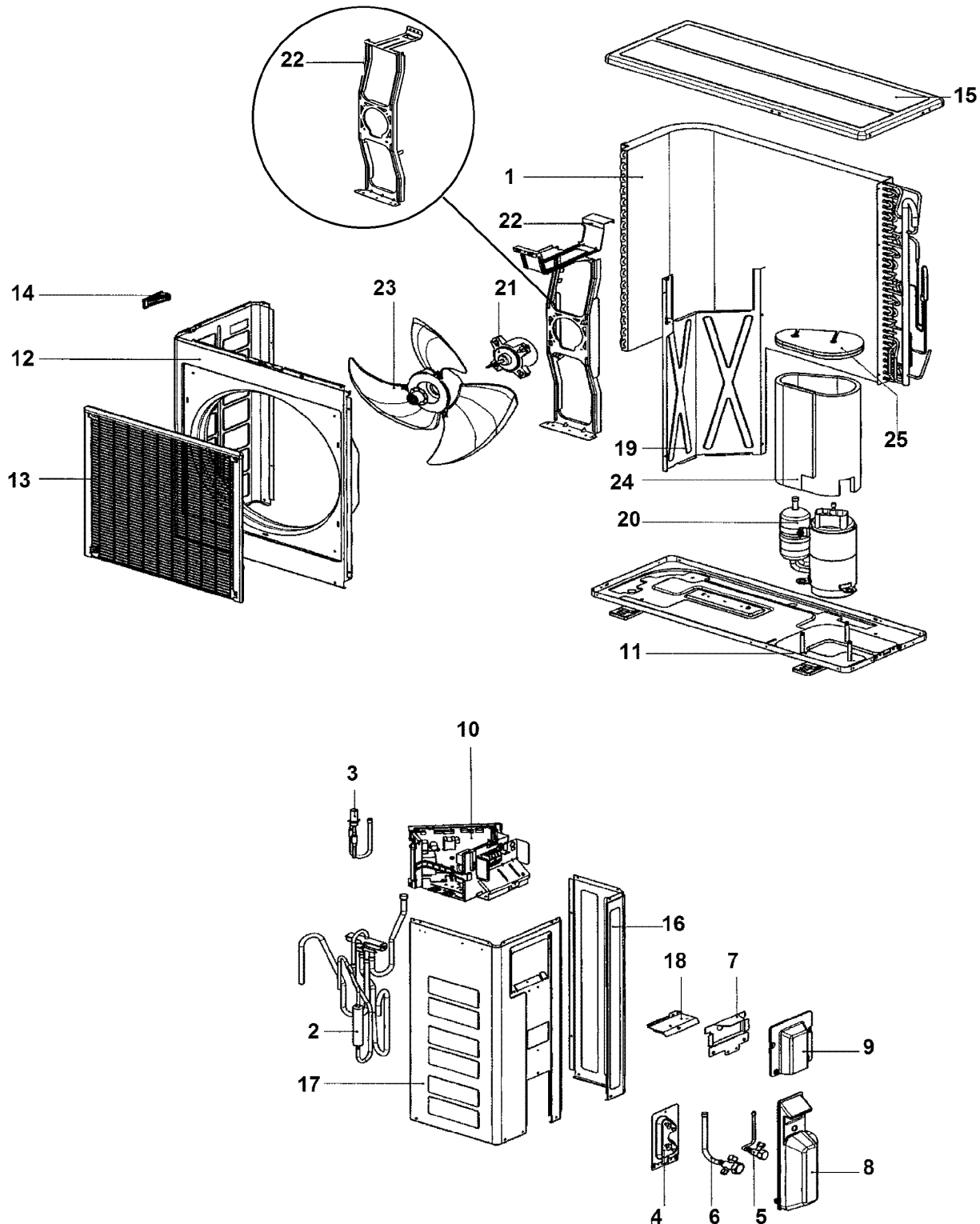
Expanded Model Nomenclature

M1 - RKB09AXVJU
M2 - RKB12AXVJU
M3 - RKB18AXVJU
M4 - RKB24AXVJU
M5 - RXB09AXVJU
M6 - RXB12AXVJU
M7 - RXB18AXVJU
M8 - RXB24AXVJU

RKB18/24 and RXB18/24

RKB18AXVJU / RXB18AXVJU (5SLY18C-KWDOA-R56 / 5SLY18CR-KWDOA-R56)

RKB24AXVJU / RXB24AXVJU (5SLY25C-KWDOA-R56 / 5SLY25CR-KWDOA-R56)



RKB18/24 and RXB18/24

Ref. Part No: No:	Description:	Ref. Part No: No:	Description:
-------------------	--------------	-------------------	--------------

Image 1:

1	4012209	OUTDOOR COIL ASSY. (M4, M8)
1	4015879	OUTDOOR COIL ASSY. (M3, M7)
2	4010096	BODY/ FOUR WAY VALVE (M7, M8)
2	4009130	COIL/ SOLENOID VALVE (4WV) (M7, M8)
3	4012943	COIL/ SOLENOID VALVE (EXV) (M3, M4, M7, M8)
3	4020699	ELECTRONIC EXPANSION VALVE (M3)
3	4020700	ELECTRONIC EXPANSION VALVE (M7)
3	4013158	EXV VALVE ASSY. (M4, M8)
4	4008836	VALVE BRACKET (M3, M7)
4	8502937	VALVE BRACKET (M4, M8)
5	4018673	VALVE ASSY. 2 WAY (M3, M4, M7, M8)
6	4010512	VALVE ASSY. 3 WAY (M4, M8)
6	4018682	VALVE ASSY. 3 WAY (M3, M7)
7	4020655	PLATE/ CONDUIT (M3, M4, M7, M8)
8	4020661	COVER/ STOP VALVE (M3, M4, M7, M8)
9	4020656	COVER TERMINAL COVER (M3, M4, M7, M8)
10	4022326	CONTROL BOX ASSY. (M3, M7)
10	4022327	CONTROL BOX ASSY. (M4)
10	4022328	CONTROL BOX ASSY. (M8)
11	4020663	BASE PAN ASSY. (M3, M4, M7, M8)
12	4009131	PANEL (FRONT LEFT) (M4, M8)
12	4009844	PANEL (FRONT LEFT) (M3, M7)
13	4020662	DISCHARGE GRILLE ASSY. (M3, M4, M7, M8)
14	4013497	HANDLING HANDLE (M3, M4, M7, M8)
15	4002855	PANEL (TOP FRONT) (M3, M4, M7, M8)
16	4002863	PANEL (RIGHT BACK) (M4, M8)
16	8502845	PANEL (RIGHT BACK) (M3, M7)
17	4020657	PANEL SERVICE (M3, M7)
17	4020658	PANEL SERVICE (M4, M8)
18	4020654	PANEL ACCESS (M3, M4, M7, M8)
19	4012949	PARTITION PANEL (M4, M8)
19	4015882	PARTITION PANEL (M3, M7)
20	4012946	COMPRESSOR (M3, M4, M7, M8)
21	4009588	FAN MOTOR (M3, M4, M7, M8)
22	4013817	FAN MOTOR BRACKET (M4, M8)
22	4015881	FAN MOTOR BRACKET (M3, M7)
23	4009122	FAN PROPELLER (M3, M7)
23	4012945	FAN PROPELLER (M4, M8)
24	4010099	COMPRESSOR SOUND INSULATION (M4, M8)
24	4020660	COMPRESSOR SOUND INSULATION (M3, M7)
25	4020659	COMPRESSOR TOP INSULATION (M3, M4, M7, M8)

Expanded Model Nomenclature

M1 - RKB09AXVJU
M2 - RKB12AXVJU
M3 - RKB18AXVJU
M4 - RKB24AXVJU
M5 - RXB09AXVJU
M6 - RXB12AXVJU
M7 - RXB18AXVJU
M8 - RXB24AXVJU