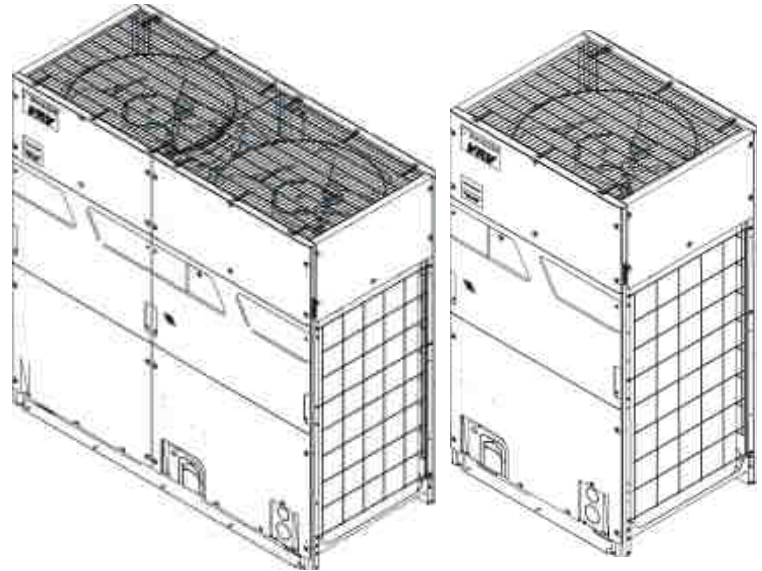


REYQ*AATJA VRV6E Outdoor Unit**

REYQ120AATJA
REYQ144AATJA
REYQ168AATJA
REYQ192AATJA
REYQ216AATJA
REYQ240AATJA
REYQ72AATJA
REYQ96AATJA



This manual is to be used by qualified technicians only.

Important Information

Index

Functional Parts List	3
Illustration and Parts	4 - 19

Views shown are for parts illustrations only, not servicing procedures.

Text Codes:

AR - As Required

NA - Not Available

NS - Not Shown

00000000 - See Note

QTY - Quantity Example (QTY 3) (If Quantity not shown, Quantity = 1)

M - Model Example (M1) (If M Code not shown, then part is used on all Models)

Expanded Model Nomenclature:

Example
M1 - Model#1
M2 - Model#2
M3 - Model#3

Daikin Comfort Technologies Manufacturing , L.P. is not responsible for personal injury or property damage resulting from improper service. Review all service information before beginning repairs.

Warranty service must be performed by an authorized technician, using authorized factory parts. If service is required after the warranty expires, Daikin Comfort Technologies Manufacturing , L.P. also recommends contacting an authorized technician and using authorized factory parts.

Daikin Comfort Technologies Manufacturing , L.P. reserves the right to discontinue, or change at any time, specifications or designs without notice or without incurring obligations.

For assistance within the U.S.A. contact:
Homeowner Support
Daikin Comfort Technologies Manufacturing , L.P.
19001 Kermier Road
Waller, Texas 77484
855-770-5678-Telephone
713-863-2382-Facsimile

For assistance outside the U.S.A. contact:
International Division
Daikin Comfort Technologies Manufacturing , L.P.
19001 Kermier Road
Waller, Texas 77484
713-861-2500-Telephone
713-863-2382-Facsimile

Functional Parts

Part No: **Description:**

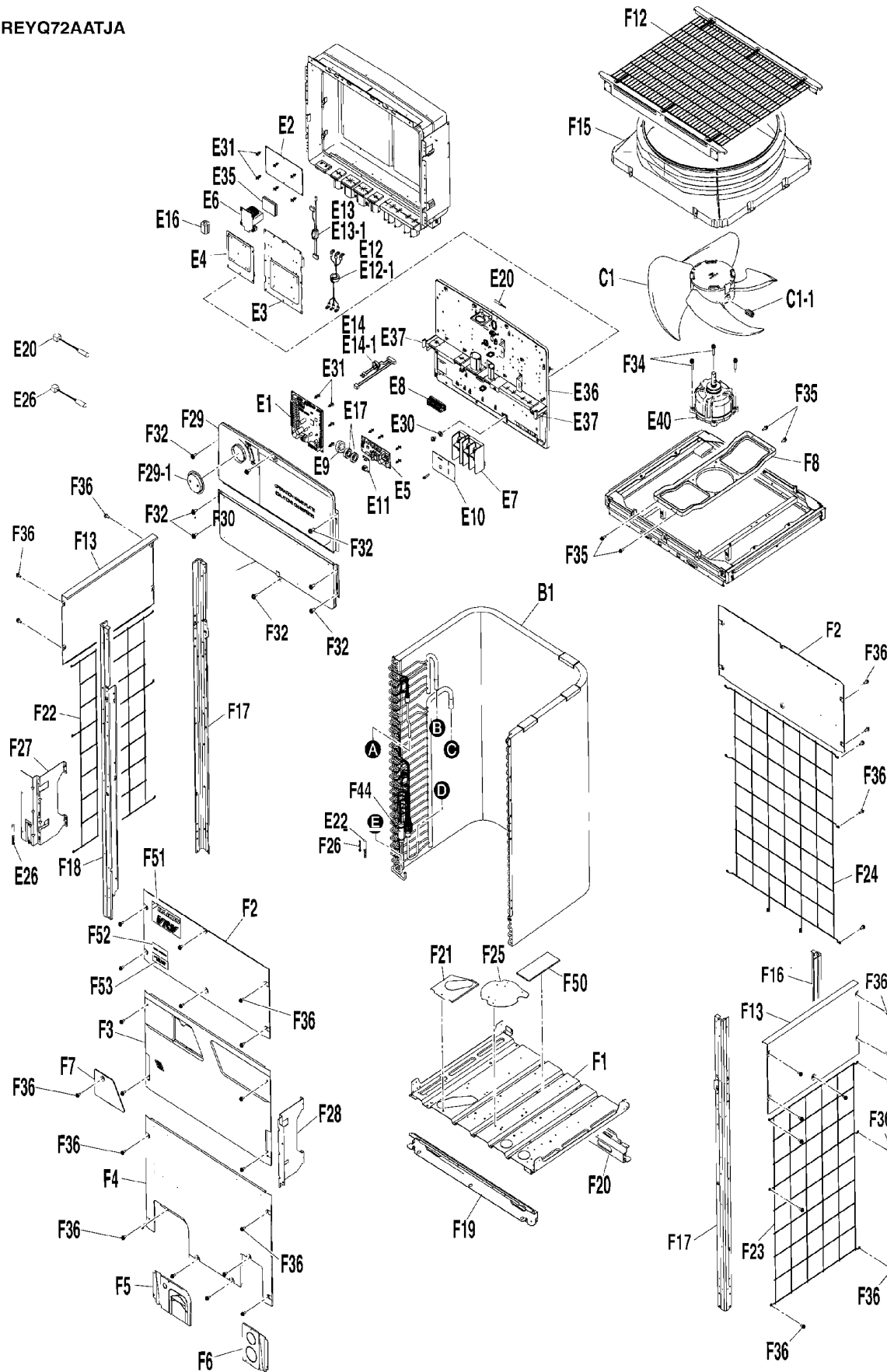
2457347	CHECK VALVE (M2, M3, M4, M5, M6, M7)
2460730	CHECK VALVE (QTY 7)
107638J	CHECK VALVE (M4, M5, M6, M7)
2543798	COMP. SOUNDPROOF (100P) (M1, M2, M3, M8)
2543797	COMP. SOUNDPROOF (100P) (M1, M2, M3, M8)
2543755	COMP. SOUNDPROOF (160P) (M2, M3, M4, M5, M6, M7)
2543756	COMP. SOUNDPROOF (160P) (M2, M3, M4, M5, M6, M7)
2543795	COMP. SOUNDPROOF (160P) (M2, M3, M7)
2541020	COMPRESSOR ASSY. (M2, M3, M7)
2541389	COMPRESSOR ASSY. (M4, M5, M6)
2541019	COMPRESSOR ASSY. (M1, M2, M3, M8)
2537866	CRANK CASE HEATER ASSY. (M7)
2537867	CRANK CASE HEATER ASSY. (M1, M2, M3, M4, M5, M6, M8)
2417712	CURRENT TRANSFORMER
2544134	FAN MOTOR (M4, M5, M6, M7)
2544161	FAN MOTOR (M1, M2, M3, M8)
1721122	FUSIBLE PLUG (QTY 2)
2540305	HIGH PRESSURE SWITCH (QTY 2)
2417952	PRESSURE CONTROL VALVE
2540294	PRESSURE SENSOR
2540295	PRESSURE SENSOR
1778003	PRT CIR BD ASSY. (ABC I/P)
2541026	PRT CIR BD ASSY. (COMP. INV.) (M2, M3, M4, M5, M6, M7)
2541025	PRT CIR BD ASSY. (COMP. INV.) (M1, M2, M3, M8)
2541027	PRT CIR BD ASSY. (FAN INV.) (M7)
2541028	PRT CIR BD ASSY. (FAN INV.) (M1, M2, M3, M4, M5, M6, M8)
2543102	PRT CIR BD ASSY. (MAIN) (M7)
2543103	PRT CIR BD ASSY. (MAIN) (M1, M2, M3, M4, M5, M6, M8)
2545071	PRT CIR BD ASSY. (NOISE FILTER) (M1, M2, M3, M8)
2545058	PRT CIR BD ASSY. (NOISE FILTER) (M2, M3, M4, M5, M6, M7)
2541397	PRT CIR BD ASSY. (SUB)
2307466	STOP VALVE (M4, M5, M6)
2543761	STOP VALVE
2545354	THERM (AIR)
2508858	THERM (SUCTION)
2537831	THERM ASSY. (M1, M2, M3, M7, M8)
2543185	THERM ASSY.
2543184	THERM ASSY. (M1, M2, M3, M4, M5, M6, M8)
2537830	THERM ASSY.
2537832	THERM ASSY.
2537833	THERM ASSY. (M4, M5, M6)
2541398	THERM ASSY. (M4, M5, M6)
2537826	THERM ASSY. (BOX AIR)

Expanded Model Nomenclature

M1 - REYQ120AATJA
M2 - REYQ144AATJA
M3 - REYQ168AATJA
M4 - REYQ192AATJA
M5 - REYQ216AATJA
M6 - REYQ240AATJA
M7 - REYQ72AATJA
M8 - REYQ96AATJA

REYQ72AAT JA

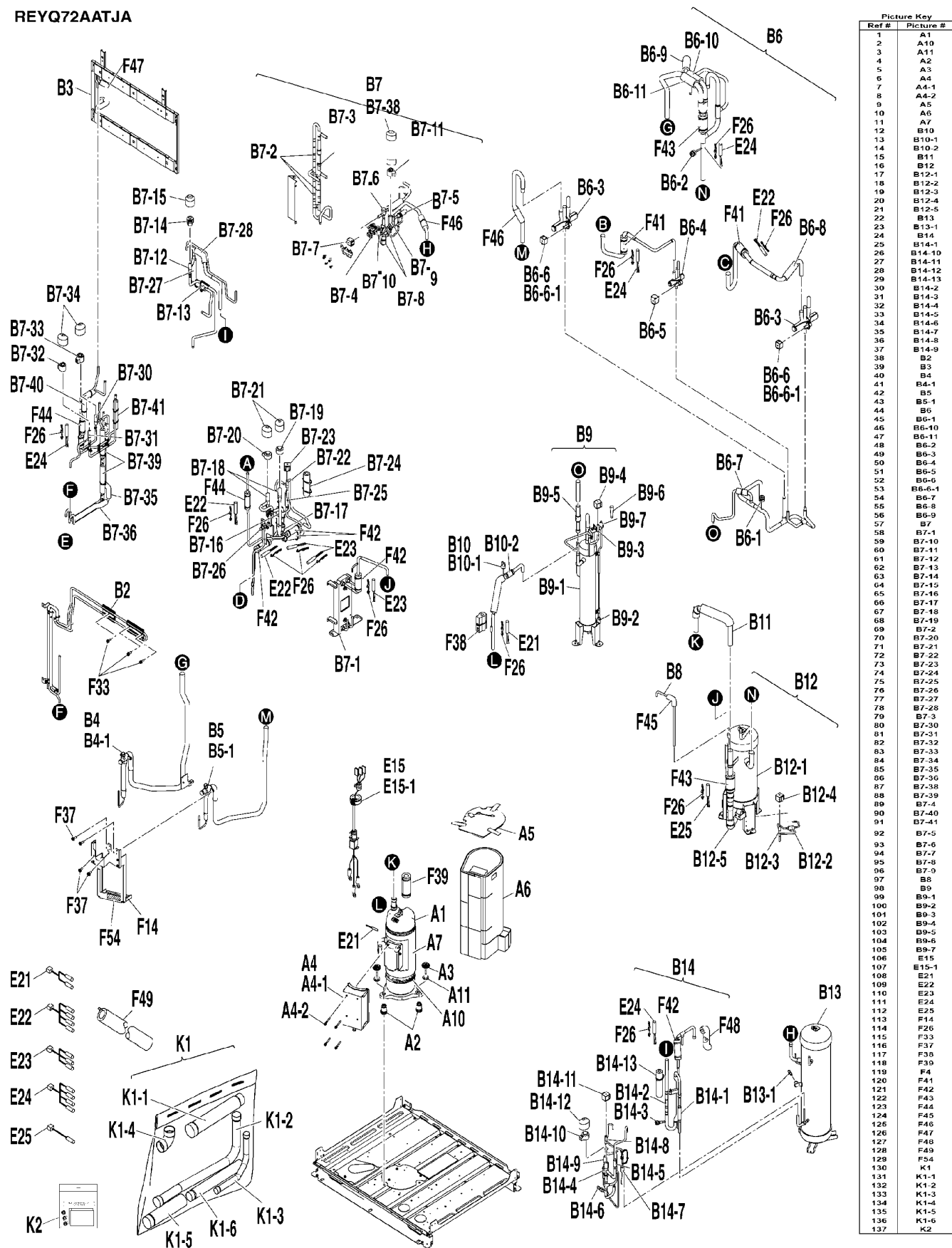
REYQ72AATJA



Picture Key	
Ref #	Picture #
1	B1
2	C1
3	C1-1
4	E1
5	E10
6	E11
7	E12
8	E12-1
9	E13
10	E13-1
11	E14
12	E14-1
13	E16
14	E17
15	E2
16	E20
17	E22
18	E26
19	E3
20	E30
21	E31
22	E35
23	E36
24	E37
25	E4
26	E40
27	E5
28	E6
29	E7
30	E8
31	E9
32	F1
33	F12
34	F13
35	F15
36	F16
37	F17
38	F18
39	F19
40	F2
41	F20
42	F21
43	F22
44	F23
45	F24
46	F25
47	F26
48	F27
49	F28
50	F29
51	F29-1
52	F3
53	F30
54	F32
55	F34
56	F35
57	F36
58	F44
59	F5
60	F50
61	F51
62	F52
63	F53
64	F6
65	F7
66	F8

REYQ72AAT JA

REYQ72AATJA



Picture Key	
Ref #	Picture #
1	A1
2	A10
3	A11
4	A2
5	A3
6	A4
7	A4-1
8	A4-2
9	A5
10	A6
11	A7
12	B10
13	B10-1
14	B10-2
15	B11
16	B12
17	B12-1
18	B12-2
19	B12-3
20	B12-4
21	B12-5
22	B13
23	B13-1
24	B14
25	B14-1
26	B14-10
27	B14-11
28	B14-12
29	B14-13
30	B14-2
31	B14-3
32	B14-4
33	B14-5
34	B14-6
35	B14-7
36	B14-8
37	B14-9
38	B2
39	B3
40	B4
41	B4-1
42	B5
43	B5-1
44	B6
45	B6-1
46	B6-10
47	B6-11
48	B6-2
49	B6-3
50	B6-4
51	B6-5
52	B6-6
53	B6-6-1
54	B6-7
55	B6-8
56	B6-9
57	B7
58	B7-1
59	B7-10
60	B7-11
61	B7-12
62	B7-13
63	B7-14
64	B7-15
65	B7-16
66	B7-17
67	B7-18
68	B7-19
69	B7-20
70	B7-21
71	B7-22
72	B7-23
73	B7-24
74	B7-25
75	B7-26
76	B7-27
77	B7-28
78	B7-29
79	B7-30
80	B7-31
81	B7-32
82	B7-33
83	B7-34
84	B7-35
85	B7-36
86	B7-37
87	B7-38
88	B7-39
89	B7-40
90	B7-41
91	B7-42
92	B7-43
93	B7-44
94	B7-45
95	B7-46
96	B7-47
97	B8
98	B9
99	B9-1
100	B9-2
101	B9-3
102	B9-4
103	B9-5
104	B9-6
105	B9-7
106	E15
107	E15-1
108	E21
109	E22
110	E23
111	E24
112	E25
113	F14
114	F26
115	F33
116	F37
117	F38
118	F39
119	F4
120	F41
121	F42
122	F43
123	F44
124	F45
125	F46
126	F47
127	F48
128	F49
129	F54
130	K1
131	K1-1
132	K1-2
133	K1-3
134	K1-4
135	K1-5
136	K1-6
137	K2

REYQ72AAT JA

Ref. Part No:	Ref. Part No:	Description:	Description:
Image 1:		Image 1:	
1	2541020	COMPRESSOR ASSY. (M7)	58 2543760 PLATE HT EXCH ASSY. (M7)
2	2537866	CRANK CASE HEATER ASSY. (M7)	59 4012537 FILTER (M7)
3	2544042	PLAIN WASHER ASSY. (M7)	60 2540299 COIL/ ELEC EXP. VALVE (REF. AUTO CHARGE) (M7)
4	2279143	RUBBER VIBRATION ISOLATOR (M7)	61 2200116 BODY/ ELEC EXP. VALVE (SCOOL HEAT EXC.) (M7)
5	2311775	COMPRESSOR MOUNTING BOLT ASSY. (M7)	62 2543762 THERMAL INSULATION (M7)
6	2543870	TERMINAL BOX ASSY. (M7)	63 2509192 COIL/ ELEC EXP. VALVE (SCOOL HEAT EXC.) (M7)
7	6027321	TERMINAL COVER (M7)	64 2545054 PROTECTION CAP (M7)
8	2545053	HEXA. HEAD SCREW WITH WASHER (M7)	65 2223652 FILTER (M7)
9	2543755	COMP. SOUNDPROOF (160P) (M7)	66 2113337 FILTER (FOR REF.) (M7)
10	2543756	COMP. SOUNDPROOF (160P) (M7)	67 1996469 BODY/ ELEC EXP. VALVE (HEAT EXC.) (M7)
11	2543795	COMP. SOUNDPROOF (160P) (M7)	68 2509130 COIL/ ELEC EXP. VALVE (HEAT EXC. R LOWER) (M7)
12	NA	DISCHARGE PIPE ASSY. (M7)	69 107638J CHECK VALVE (M7)
13	2540305	HIGH PRESSURE SWITCH (M7)	70 2509123 COIL/ ELEC EXP. VALVE (HEAT EXC. R UPPER) (M7)
14	7009620	WEIGHT (M7)	71 0650304 WATER PROOF CAP (M7)
15	NA	SUCTION PIPE (M7)	72 5009797 BODY/ SOLE VALVE (REF. CLG BYPASS) (M7)
16	NA	ACCUMULATOR ASSY. (M7)	73 2537808 COIL/ SOLE VALVE (REF. CLG BYPASS) (M7)
17	2543767	ACCUMULATOR ASSY. (M7)	74 2111038 THERMAL INSULATION TUBE (M7)
18	4012537	FILTER (M7)	75 2114448 FILTER (M7)
19	5009797	BODY/ SOLE VALVE (ACC. OIL RETURN) (M7)	76 2298308 STOP VALVE ASSY. (M7)
20	2537811	COIL/ SOLE VALVE (ACC. OIL RETURN) (M7)	77 2543834 THERMAL INSULATION TUBE (M7)
21	7009589	THERMAL INSULATION TUBE (M7)	78 0206846 THERMAL INSULATION TUBE (M7)
22	NA	LIQUID REC ASSY. (M7)	79 2460730 CHECK VALVE (M7)
23	1721122	FUSIBLE PLUG (M7)	80 2233628 BODY/ ELEC EXP. VALVE (REF. CLG AIR) (M7)
24	NA	REFR PIPE ASSY. (M7)	81 2233628 BODY/ ELEC EXP. VALVE (REF. CLG IPM) (M7)
25	2223652	FILTER (M7)	82 2540302 COIL/ ELEC EXP. VALVE (REF. CLG IPM) (M7)
26	2509185	COIL/ ELEC EXP. VALVE (REF. GAS PURGE) (M7)	83 2540301 COIL/ ELEC EXP. VALVE (REF. CLG AIR) (M7)
27	2537812	COIL/ SOLE VALVE (REF. ADJUSTMENT) (M7)	84 4017929 PROTECTION CAP (M7)
28	0650304	WATER PROOF CAP (M7)	85 2543802 THERMAL INSULATION TUBE (M7)
29	2545078	TUBE CUSHION MATERIAL (M7)	86 2543764 THERMAL INSULATION TUBE (M7)
30	107638J	CHECK VALVE (M7)	87 4017929 PROTECTION CAP (M7)
31	154184J	GAUGE PORT WITH CHECK VALVE (M7)	88 2543765 THERMAL INSULATION TUBE (M7)
32	2233666	BODY/ ELEC EXP. VALVE (REF. GAS PURGE) (M7)	89 2543761 STOP VALVE (M7)
33	2113337	FILTER (FOR REF.) (M7)	90 2543887 THERMAL INSULATION TUBE (M7)
34	1721122	FUSIBLE PLUG (M7)	91 2543765 THERMAL INSULATION TUBE (M7)
35	4012537	FILTER (M7)	92 2417952 PRESSURE CONTROL VALVE (M7)
36	5009796	BODY/ SOLE VALVE (REF. ADJUSTMENT) (M7)	93 2346207 BODY/ SOLE VALVE (LIQ. SHUT OFF) (M7)
37	4012537	FILTER (M7)	94 2537805 COIL/ SOLE VALVE (LIQ. SHUT OFF) (M7)
38	NA	REFR PIPE ASSY. (REF. JACKET) (M7)	95 4902809 THERMAL INSULATION TUBE (M7)
39	NA	HEAT SINK ASSY. (REF. JACKET) (M7)	96 142658J BODY/ ELEC EXP. VALVE (REF. AUTO CHARGE) (M7)
40	NA	REFR PIPE ASSY. (LOW PRESSURE) (M7)	97 NA DISCHARGE PIPE (M7)
41	2543758	GAS STOP VALVE ASSY. (M7)	98 NA OIL SEPARATOR ASSY. (LF) (M7)
42	NA	REFR PIPE ASSY. (H/L PRESSURE) (M7)	99 2543766 OIL SEPARATOR ASSY. (M7)
43	2543759	GAS STOP VALVE ASSY. (M7)	100 4012537 FILTER (M7)
44	NA	REFR PIPE ASSY. (FOUR WAY VALVE) (M7)	101 5009796 BODY/ SOLE VALVE (OS OIL RETURN 1) (M7)
45	2540294	PRESSURE SENSOR (M7)	102 2537809 COIL/ SOLE VALVE (OS OIL RETURN 1) (M7)
46	1442924	THERMAL INSULATION TUBE (M7)	103 2457347 CHECK VALVE (M7)
47	042408J	THERMAL INSULATION TUBE (M7)	104 2096331 REFR STRAINER (M7)
48	2540295	PRESSURE SENSOR (M7)	105 0206853 PIPE INSULATION PIPE COVER (M7)
49	2119861	BODY/ FOUR WAY VALVE (M7)	106 2543872 WIRE HARN ASSY. (COMP.) (M7)
50	2233534	BODY/ FOUR WAY VALVE (M7)	107 064527J FERRITE CORE (M7)
51	2541021	COIL/ FOUR WAY VALVE (M7)	108 2543185 THERM ASSY. (M7)
52	2542697	FOUR WAY VALVE COIL ASSY. (M7)	
53	7500021	COIL/ FOUR WAY VALVE (M7)	
54	4014007	THERMAL INSULATION TUBE (M7)	
55	0401836	THERMAL INSULATION TUBE (M7)	
56	1442924	THERMAL INSULATION TUBE (M7)	
57	NA	LIQUID PIPE ASSY. (M7)	

REYQ72AAT JA

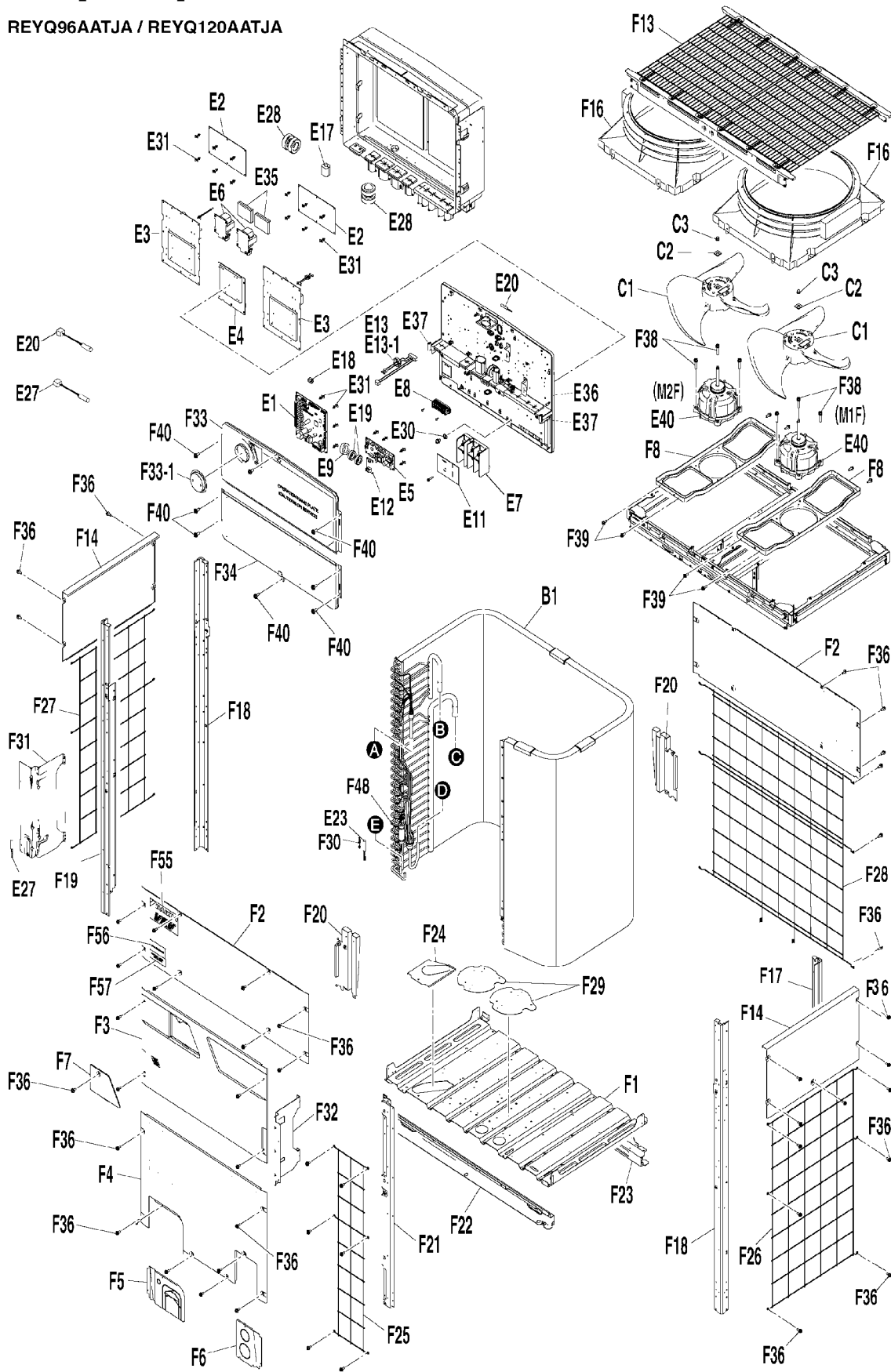
Ref. Part No:	No:	Description:	Ref. Part No:	No:	Description:
Image 1:					
109	2537830	THERM ASSY. (M7)			
110	2537831	THERM ASSY. (M7)			
111	2537832	THERM ASSY. (M7)			
112	2508858	THERM (SUCTION) (M7)			
113	2537868	STOP VALVE MOUNTING PLATE ASSY. (M7)			
114	042396J	FITTING SPRING/ THERM (M7)			
115	4013464	HEX. BOLT (M7)			
116	035654J	HEX. SOCKET SCREW (M7)			
117	4013910	THERMAL INSULATION TUBE (M7)			
118	2543786	WEIGHT (M7)			
119	2537839	FRONT PLATE (LOWER) (M7)			
120	042408J	THERMAL INSULATION TUBE (M7)			
121	144290J	THERMAL INSULATION TUBE (M7)			
122	4022937	THERMAL INSULATION TUBE (M7)			
123	165763J	THERMAL INSULATION TUBE (M7)			
124	206548J	THERMAL INSULATION TUBE (M7)			
125	040182J	THERMAL INSULATION TUBE (M7)			
126	2543825	THERMAL INSULATION TUBE (M7)			
127	2543893	THERMAL INSULATION TUBE (M7)			
128	038187J	INSULATION TUBE (M7)			
129	2543789	CAUTION LABEL (BURN) (M7)			
130	NA	ACCESSORY SET (M7)			
131	2543790	AUXILIARY PIPE (GAS SIDE FRONT) (M7)			
132	2543791	AUXILIARY PIPE (H/L PRESSURE GAS F) (M7)			
133	2543792	AUXILIARY PIPE (LIQUID SIDE FRONT) (M7)			
134	1799257	L-TYPE JOINT (M7)			
135	2543793	AUXILIARY PIPE (GAS SIDE BOTTOM) (M7)			
136	2543794	AUXILIARY PIPE (H/L PRESSURE GAS B) (M7)			
137	2544135	GREASE ASSY. (M7)			

Expanded Model Nomenclature

M1 - REYQ120AATJA
M2 - REYQ144AATJA
M3 - REYQ168AATJA
M4 - REYQ192AATJA
M5 - REYQ216AATJA
M6 - REYQ240AATJA
M7 - REYQ72AATJA
M8 - REYQ96AATJA

REYQ[96/120]AAT JA

REYQ96AATJA / REYQ120AATJA



Picture Key	
Ref #	Picture #
1	B1
2	C1
3	C2
4	C3
5	E1
6	E11
7	E12
8	E13
9	E13-1
10	E17
11	E18
12	E19
13	E2
14	E20
15	E27
16	E28
17	E3
18	E30
19	E31
20	E35
21	E36
22	E37
23	E4
24	E40
25	E5
26	E6
27	E7
28	E8
29	E9
30	F1
31	F13
32	F14
33	F16
34	F17
35	F18
36	F19
37	F2
38	F20
39	F21
40	F22
41	F23
42	F24
43	F25
44	F26
45	F27
46	F28
47	F29
48	F3
49	F31
50	F32
51	F33
52	F33-1
53	F34
54	F36
55	F38
56	F39
57	F4
58	F40
59	F48
60	F5
61	F55
62	F56
63	F57
64	F6
65	F7
66	F8

REYQ[96/120]AAT JA

Ref. Part No: No:	Description:	Ref. Part No: No:	Description:
Image 1:		Image 1:	
1	2537794	56	0493462
2	4020987	57	2537839
3	4020988	58	0356556
4	6026544	59	165763J
5	2543103	60	2537841
6	2537821	61	2543787
7	1778003	62	4010207
8	2545055	63	2543788
9	145927J	64	2537842
10	2031550	65	2543772
11	143407J	66	4012561
12	4021003		
13	2545071		
14	2537826		
15	2545354		
16	145927J		
17	2541025		
18	066578J		
19	981616		
20	2543882		
21	2545430		
22	2545429		
23	2541028		
24	2544161		
25	2541397		
26	2537819		
27	2420972		
28	2537820		
29	2417712		
30	2543809		
31	2537844		
32	2537846		
33	2543903		
34	2543774		
35	2543775		
36	2543776		
37	2537835		
38	2543811		
39	2543812		
40	2543813		
41	2543814		
42	2543779		
43	2542701		
44	2542702		
45	2542700		
46	2542704		
47	2543780		
48	2537837		
49	2543781		
50	2543782		
51	2543783		
52	2543785		
53	2543784		
54	025047J		
55	4013460		

Expanded Model Nomenclature

- M1 - REYQ120AATJA
- M2 - REYQ144AATJA
- M3 - REYQ168AATJA
- M4 - REYQ192AATJA
- M5 - REYQ216AATJA
- M6 - REYQ240AATJA
- M7 - REYQ72AATJA
- M8 - REYQ96AATJA

REYQ[96/120]AAT JA

Ref. Part No: No:	Description:	Ref. Part No: No:	Description:
Image 1:		Image 1:	
1	2541019 COMPRESSOR ASSY. (M1, M8)	53	2542697 FOUR WAY VALVE COIL ASSY. (M1, M8)
2	2537867 CRANK CASE HEATER ASSY. (M1, M8)	54	7500021 COIL/ FOUR WAY VALVE (M1, M8)
3	2544042 PLAIN WASHER ASSY. (M1, M8)	55	0206846 THERMAL INSULATION TUBE (M1, M8)
4	2279143 RUBBER VIBRATION ISOLATOR (M1, M8)	56	100265J THERMAL INSULATION TUBE (M1, M8)
5	2311775 COMPRESSOR MOUNTING BOLT ASSY. (M1, M8)	57	042408J THERMAL INSULATION TUBE (M1, M8)
6	2543757 TERMINAL BOX ASSY. (M1, M8)	58	NA LIQUID PIPE ASSY. (M1, M8)
7	2381109 TERMINAL COVER (M1, M8)	59	2543826 PLATE HT EXCH ASSY. (M1, M8)
8	2545065 HEXA. HEAD SCREW WITH WASHER (M1, M8)	60	2204606 BODY/ ELEC EXP. VALVE (SCOOL HEAT EXC.) (M1, M8)
9	2543797 COMP. SOUNDPROOF (100P) (M1, M8)	61	2543762 THERMAL INSULATION (M1, M8)
10	2543798 COMP. SOUNDPROOF (100P) (M1, M8)	62	2509200 COIL/ ELEC EXP. VALVE (SCOOL HEAT EXC.) (M1, M8)
11	NA DISCHARGE PIPE ASSY. (M1, M8)	63	4017929 PROTECTION CAP (M1, M8)
12	2540305 HIGH PRESSURE SWITCH (M1, M8)	64	2223652 FILTER (M1, M8)
13	NA DISCHARGE PIPE ASSY. (M1, M8)	65	2223652 FILTER (M1, M8)
14	2540305 HIGH PRESSURE SWITCH (M1, M8)	66	1996469 BODY/ ELEC EXP. VALVE (HEAT EXC.) (M1, M8)
15	NA SUCTION PIPE ASSY. (M1, M8)	67	2509130 COIL/ ELEC EXP. VALVE (HEAT EXC. RT LOWER) (M1, M8)
16	NA ACCUMULATOR ASSY. (M1, M8)	68	2509123 COIL/ ELEC EXP. VALVE (HEAT EXC. RT UPPER) (M1, M8)
17	2543828 ACCUMULATOR ASSY. (M1, M8)	69	0650304 WATER PROOF CAP (M1, M8)
18	4012537 FILTER (M1, M8)	70	2460730 CHECK VALVE (M1, M8)
19	5009797 BODY/ SOLE VALVE (ACC. OIL RETURN) (M1, M8)	71	5009797 BODY/ SOLE VALVE (REF. CLG BYPASS) (M1, M8)
20	2537811 COIL/ SOLE VALVE (ACC. OIL RETURN) (M1, M8)	72	2537808 COIL/ SOLE VALVE (REF. CLG BYPASS) (M1, M8)
21	5019967 THERMAL INSULATION TUBE (M1, M8)	73	2111038 THERMAL INSULATION TUBE (M1, M8)
22	5004283 THERMAL INSULATION TUBE (M1, M8)	74	231501J REFR FILTER (M1, M8)
23	NA LIQUID REC ASSY. (M1, M8)	75	2295051 STOP VALVE ASSY. (M1, M8)
24	1721122 FUSIBLE PLUG (M1, M8)	76	2233628 BODY/ ELEC EXP. VALVE (REF. CLG AIR) (M1, M8)
25	NA REFR PIPE ASSY. (M1, M8)	77	2233628 BODY/ ELEC EXP. VALVE (REF. CLG IPM) (M1, M8)
26	2541498 FILTER (M1, M8)	78	2540302 COIL/ ELEC EXP. VALVE (REF. CLG IPM) (M1, M8)
27	2509185 COIL/ ELEC EXP. VALVE (REC GAS PURGE) (M1, M8)	79	2540301 COIL/ ELEC EXP. VALVE (REF. CLG AIR) (M1, M8)
28	2537812 COIL/ SOLE VALVE (REF. ADJUSTMENT) (M1, M8)	80	2543761 STOP VALVE (M1, M8)
29	0206853 PIPE INSULATION PIPE COVER (M1, M8)	81	4017929 PROTECTION CAP (M1, M8)
30	2545080 CUSHIONING MATERIAL (M1, M8)	82	2543802 THERMAL INSULATION TUBE (M1, M8)
31	2460730 CHECK VALVE (M1, M8)	83	2543764 THERMAL INSULATION TUBE (M1, M8)
32	154184J GAUGE PORT WITH CHECK VALVE (M1, M8)	84	4017929 PROTECTION CAP (M1, M8)
33	1996469 BODY/ ELEC EXP. VALVE (REC GAS PURGE) (M1, M8)	85	2543803 THERMAL INSULATION TUBE (M1, M8)
34	2113344 FILTER (FOR REF.) (M1, M8)	86	2543765 THERMAL INSULATION TUBE (M1, M8)
35	1721122 FUSIBLE PLUG (M1, M8)	87	4902809 THERMAL INSULATION TUBE (M1, M8)
36	4012537 FILTER (M1, M8)	88	2543834 THERMAL INSULATION TUBE (M1, M8)
37	5009796 BODY/ SOLE VALVE (REF. ADJUSTMENT) (M1, M8)	89	2543803 THERMAL INSULATION TUBE (M1, M8)
38	4012537 FILTER (M1, M8)	90	2417952 PRESSURE CONTROL VALVE (M1, M8)
39	NA REFR PIPE ASSY. (REF. JACKET) (M1, M8)	91	0206846 THERMAL INSULATION TUBE (M1, M8)
40	NA HEAT SINK ASSY. (REF. JACKET) (M1, M8)	92	2543765 THERMAL INSULATION TUBE (M1, M8)
41	NA REFR PIPE ASSY. (LOW PRESSURE) (M1, M8)	93	2543887 THERMAL INSULATION TUBE (M1, M8)
42	2543758 GAS STOP VALVE ASSY. (M1, M8)	94	2346207 BODY/ SOLE VALVE (LIQUID SHUT OFF) (M1, M8)
43	NA REFR PIPE ASSY. (H/L PRESSURE) (M1, M8)	95	2543801 SOLE VALVE COIL ASSY. (M1, M8)
44	2543759 GAS STOP VALVE ASSY. (M1, M8)	96	2542699 COIL/ SOLE VALVE (LIQUID SHUT OFF) (M1, M8)
45	NA REFR PIPE ASSY. (FOUR WAY VALVE) (M1, M8)	97	142658J BODY/ ELEC EXP. VALVE (REF. AUTO CHARGE) (M1, M8)
46	2540294 PRESSURE SENSOR (M1, M8)	98	4012537 FILTER (M1, M8)
47	2543799 THERMAL INSULATION TUBE (M1, M8)	99	2540299 COIL/ ELEC EXP. VALVE (REF. AUTO CHARGE) (M1, M8)
48	2545066 THERMAL INSULATION TUBE (M1, M8)	100	NA OIL SEPARATOR ASSY. (LF) (M1, M8)
49	2540295 PRESSURE SENSOR (M1, M8)	101	2543827 OIL SEPARATOR ASSY. (M1, M8)
50	2119861 BODY/ FOUR WAY VALVE (HEAT EXC. UPPER) (M1, M8)		
51	2454735 BODY/ FOUR WAY VALVE (M1, M8)		
52	2541022 COIL/ FOUR WAY VALVE (HEAT EXC. UPPER) (M1, M8)		

REYQ[96/120]AAT JA

**Ref. Part
No: No:**

Description:

**Ref. Part
No: No:**

Description:

Image 1:

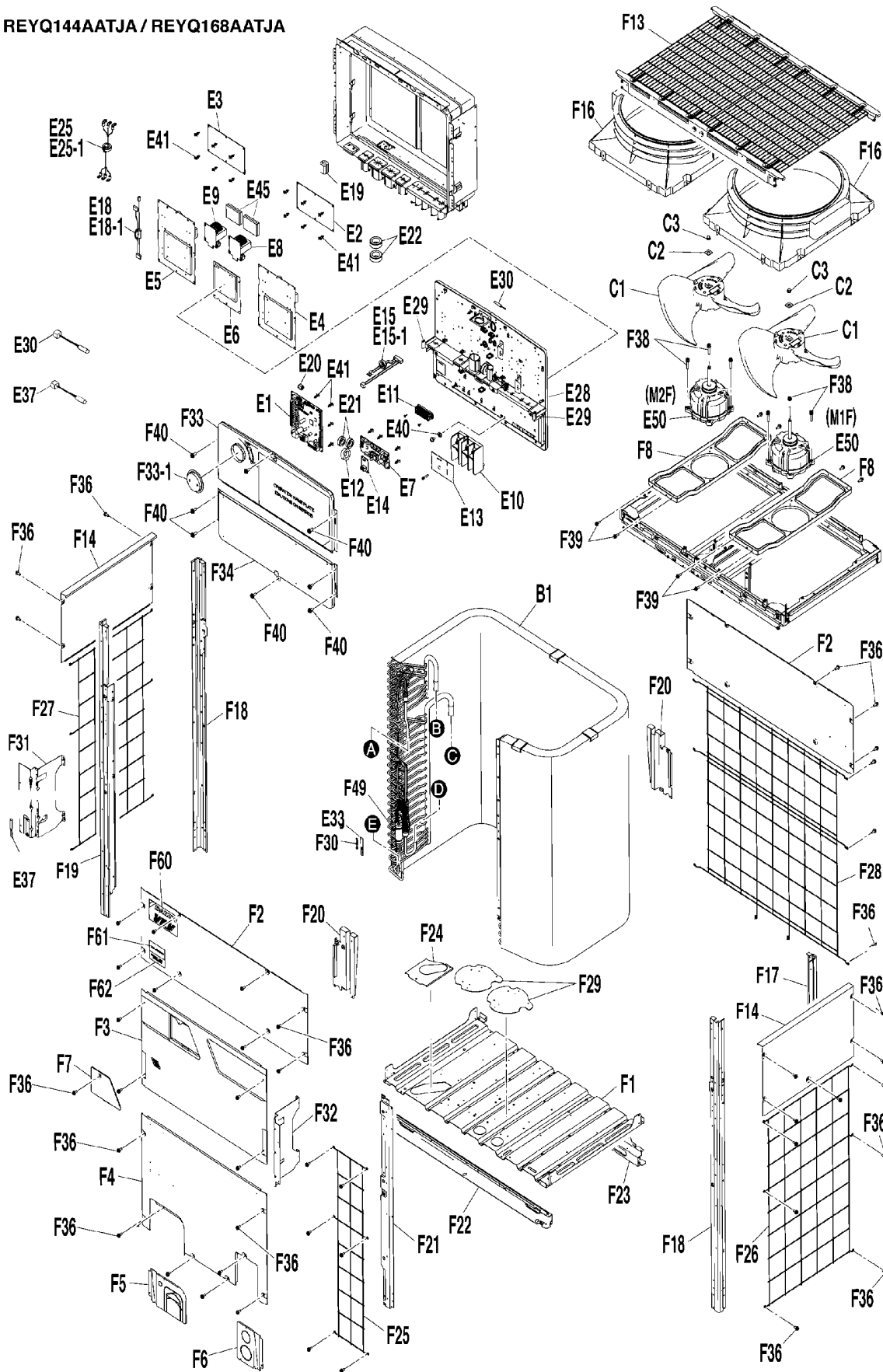
102	4012537	FILTER (M1, M8)
103	5009796	BODY/ SOLE VALVE (OS OIL RETURN 2) (M1, M8)
104	2537809	COIL/ SOLE VALVE (OS OIL RETURN 2) (M1, M8)
105	2460730	CHECK VALVE (M1, M8)
106	2096331	REFR STRAINER (M1, M8)
107	0206853	PIPE INSULATION PIPE COVER (M1, M8)
108	NA	OIL SEPARATOR ASSY. (RT) (M1, M8)
109	2543827	OIL SEPARATOR ASSY. (M1, M8)
110	4012537	FILTER (M1, M8)
111	5009796	BODY/ SOLE VALVE (OS OIL RETURN 1) (M1, M8)
112	2537810	COIL/ SOLE VALVE (OS OIL RETURN 1) (M1, M8)
113	2460730	CHECK VALVE (M1, M8)
114	2096331	REFR STRAINER (M1, M8)
115	0206853	PIPE INSULATION PIPE COVER (M1, M8)
116	2545067	WIRE HARN ASSY. (COMP.) (M1, M8)
117	145927J	FERRITE CORE (M1, M8)
118	2545068	WIRE HARN ASSY. (COMP.) (M1, M8)
119	145927J	FERRITE CORE (M1, M8)
120	2543184	THERM ASSY. (M1, M8)
121	2543185	THERM ASSY. (M1, M8)
122	2537830	THERM ASSY. (M1, M8)
123	2537831	THERM ASSY. (M1, M8)
124	2537832	THERM ASSY. (M1, M8)
125	2508858	THERM (SUCTION) (M1, M8)
126	2537868	STOP VALVE MOUNTING PLATE ASSY. (M1, M8)
127	042396J	FITTING SPRING/ THERM (M1, M8)
128	4013464	HEX BOLT (M1, M8)
129	035654J	HEX SOCKET SCREW (M1, M8)
130	4013910	THERMAL INSULATION TUBE (M1, M8)
131	2543815	WEIGHT (M1, M8)
132	042408J	THERMAL INSULATION TUBE (M1, M8)
133	2543823	THERMAL INSULATION TUBE (M1, M8)
134	144290J	THERMAL INSULATION TUBE (M1, M8)
135	4022937	THERMAL INSULATION TUBE (M1, M8)
136	165763J	THERMAL INSULATION TUBE (M1, M8)
137	2543824	THERMAL INSULATION TUBE (M1, M8)
138	2543825	THERMAL INSULATION TUBE (M1, M8)
139	2543816	THERMAL INSULATION TUBE (M1, M8)
140	2543817	THERMAL INSULATION TUBE (M1, M8)
141	4015959	THERMAL INSULATION TUBE (M1, M8)
142	2543789	CAUTION LABEL (BURN) (M1, M8)
143	NA	ACCESSORY SET (M1, M8)
144	2543818	AUXILIARY PIPE (GAS SIDE FRONT) (M8)
144	2543830	AUXILIARY PIPE (GAS SIDE FRONT) (M1)
145	2543819	AUXILIARY PIPE (H/L PRESSURE GAS F) (M1, M8)
146	2543820	AUXILIARY PIPE (LIQUID SIDE FRONT) (M8)
146	2543831	AUXILIARY PIPE (LIQUID SIDE FRONT) (M1)
147	1799257	L-TYPE JOINT (M1, M8)
148	2543821	AUXILIARY PIPE (GAS SIDE BOTTOM) (M8)
148	2543832	AUXILIARY PIPE (GAS SIDE BOTTOM) (M1)
149	2543822	AUXILIARY PIPE (LIQUID SIDE BOTTOM) (M1, M8)
150	2544136	GREASE ASSY. (M1, M8)

Expanded Model Nomenclature

M1 - REYQ120AATJA
M2 - REYQ144AATJA
M3 - REYQ168AATJA
M4 - REYQ192AATJA
M5 - REYQ216AATJA
M6 - REYQ240AATJA
M7 - REYQ72AATJA
M8 - REYQ96AATJA

REYQ[144/168]AAT JA

REYQ144AATJA / REYQ168AATJA



Picture Key

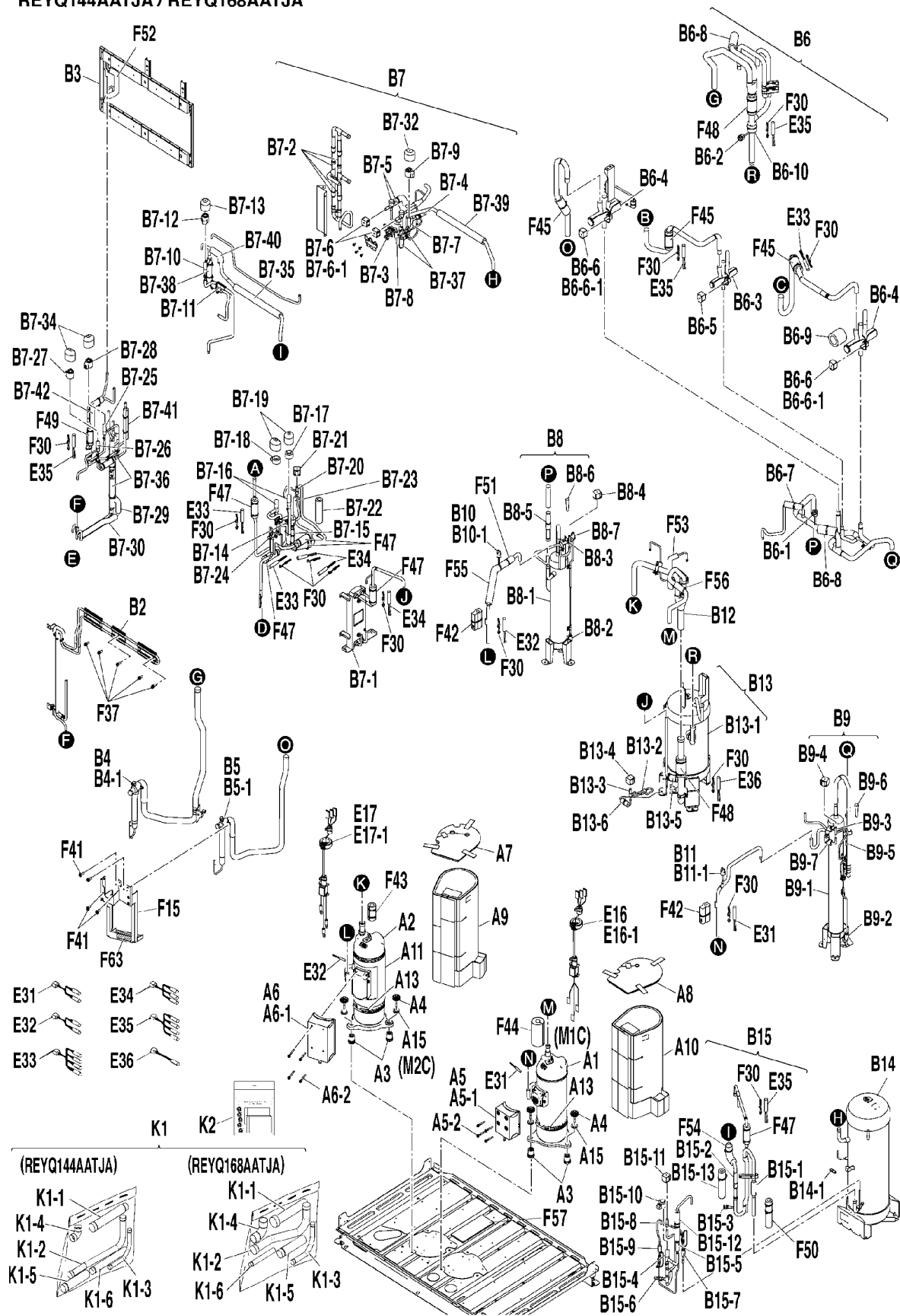
Ref #	Picture #
1	A1
2	A10
3	A11
4	A13
5	A15
6	A2
7	A3
8	A4
9	A5
10	A5-1
11	A5-2
12	A6
13	A6-1
14	A6-2
15	A7
16	A8
17	A9
18	C1
19	C2
20	C3
21	E1
22	E10
23	E11
24	E12
25	E13
26	E14
27	E15
28	E15-1
29	E18
30	E18-1
31	E19
32	E2
33	E20
34	E21
35	E22
36	E25
37	E25-1
38	E28
39	E29
40	E3
41	E30
42	E37
43	E4
44	E40
45	E41
46	E45
47	E5
48	E50
49	E6
50	E7
51	E8
52	E9
53	F1
54	F13
55	F14
56	F16
57	F17
58	F18
59	F19
60	F2
61	F20
62	F21
63	F22
64	F23
65	F24
66	F25
67	F26
68	F27
69	F28
70	F29
71	F3
72	F30
73	F31
74	F32
75	F33
76	F33-1
77	F34
78	F36
79	F38
80	F39
81	F4
82	F40
83	F5
84	F6
85	F60
86	F61
87	F62
88	F7
89	F8

REYQ[144/168]AAT JA

Ref. Part No: No:	Description:	Ref. Part No: No:	Description:								
Image 1:		Image 1:									
1	2541019 COMPRESSOR ASSY. (M2, M3)	58	2543775 SUPPORT (FRONT RT / BACK LF) (M2, M3)								
2	2543798 COMP. SOUNDPROOF (100P) (M2, M3)	59	2543776 SUPPORT (FRONT LF) (M2, M3)								
3	2543795 COMP. SOUNDPROOF (160P) (M2, M3)	60	2537835 FRONT PLATE (UPPER) (M2, M3)								
4	2537867 CRANK CASE HEATER ASSY. (M2, M3)	61	2543811 SUPPORT (CENTER UPPER) (M2, M3)								
5	2544042 PLAIN WASHER ASSY. (M2, M3)	62	2543812 SUPPORT (CENTER LOWER) (M2, M3)								
6	2541020 COMPRESSOR ASSY. (M2, M3)	63	2543813 BRACKET (FRONT) (M2, M3)								
7	2279143 RUBBER VIBRATION ISOLATOR (M2, M3)	64	2543814 BRACKET (REAR) (M2, M3)								
8	2311775 COMPRESSOR MOUNTING BOLT ASSY. (M2, M3)	65	2543779 COVER (M2, M3)								
9	2543757 TERMINAL BOX ASSY. (M2, M3)	66	2542701 PROTECTION NET (FRONT) (M2, M3)								
10	2381109 TERMINAL COVER (M2, M3)	67	2542702 PROTECTION NET (M2, M3)								
11	2545065 HEXA. HEAD SCREW WITH WASHER (M2, M3)	68	2542700 PROTECTION NET (LF AND RT) (M2, M3)								
12	2543870 TERMINAL BOX ASSY. (M2, M3)	69	2542704 PROTECTION NET (BACK) (M2, M3)								
13	6027321 TERMINAL COVER (M2, M3)	70	2543780 SOUND INSULATION (M2, M3)								
14	2545053 HEXA. HEAD SCREW WITH WASHER (M2, M3)	71	2537837 FRONT PLATE (MIDDLE) (M2, M3)								
15	2543755 COMP. SOUNDPROOF (160P) (M2, M3)	72	042396J FITTING SPRING/ THERM (M2, M3)								
16	2543797 COMP. SOUNDPROOF (100P) (M2, M3)	73	2543781 MOUNTING PLATE (M2, M3)								
17	2543756 COMP. SOUNDPROOF (160P) (M2, M3)	74	2543782 MOUNTING PLATE (EL. COMPO. BOX RT) (M2, M3)								
18	4020987 PROPELLER FAN (M2, M3)	75	2543783 EL. COMPO. BOX COVER (UPPER) ASSY. (M2, M3)								
19	4020988 FAN ROTATION STOPPER (M2, M3)	76	2543785 SWITCH BOX (ACCESS PORT COVER) (M2, M3)								
20	6026544 FLANGE NUT (M2, M3)	77	2543784 EL. COMPO. BOX COVER (LOWER) ASSY. (M2, M3)								
21	2543103 PRT CIR BD ASSY. (MAIN) (M2, M3)	78	025047J HEX HEAD TAPPING SCREW (M2, M3)								
22	2420972 TERMINAL BLOCK (M2, M3)	79	4013460 HEX HEAD TAPPING SCREW (M2, M3)								
23	2537820 TERMINAL BLOCK (M2, M3)	80	0493462 TAPPING SCREW (M2, M3)								
24	2417712 CURRENT TRANSFORMER (M2, M3)	81	2537839 FRONT PLATE (LOWER) (M2, M3)								
25	2537821 TERMINAL BLOCK (M2, M3)	82	0356556 HEX TAPPING SCREW (M2, M3)								
26	1778003 PRT CIR BD ASSY. (ABC I/P) (M2, M3)	83	2537841 FRONT PLATE (PIPE) (M2, M3)								
27	2545055 WIRE HARN (OPERATION CIRCUIT) (M2, M3)	84	2537842 FRONT PLATE (WIRE) (M2, M3)								
28	145927J FERRITE CORE (M2, M3)	85	2543787 BRAND NAME LABEL (M2, M3)								
29	2543881 WIRE HARN ASSY. (M2, M3)	86	4010207 LABEL (WARNING) (M2, M3)								
30	143407J FERRITE CORE (M2, M3)	87	2543788 CAUTION LABEL (ROTATING) (M2, M3)								
31	2031550 FERRITE CORE (M2, M3)	88	2543772 SERVICE PLATE (M2, M3)								
32	2545071 PRT CIR BD ASSY. (NOISE FILTER) (M2, M3)	89	4012561 MOTOR MOUNTING PLATE (M2, M3)								
33	143407J FERRITE CORE (M2, M3)	Expanded Model Nomenclature									
34	4021003 FERRITE CORE (M2, M3)	<table border="1"> <tr> <td>M1 - REYQ120AATJA</td> </tr> <tr> <td>M2 - REYQ144AATJA</td> </tr> <tr> <td>M3 - REYQ168AATJA</td> </tr> <tr> <td>M4 - REYQ192AATJA</td> </tr> <tr> <td>M5 - REYQ216AATJA</td> </tr> <tr> <td>M6 - REYQ240AATJA</td> </tr> <tr> <td>M7 - REYQ72AATJA</td> </tr> <tr> <td>M8 - REYQ96AATJA</td> </tr> </table>		M1 - REYQ120AATJA	M2 - REYQ144AATJA	M3 - REYQ168AATJA	M4 - REYQ192AATJA	M5 - REYQ216AATJA	M6 - REYQ240AATJA	M7 - REYQ72AATJA	M8 - REYQ96AATJA
M1 - REYQ120AATJA											
M2 - REYQ144AATJA											
M3 - REYQ168AATJA											
M4 - REYQ192AATJA											
M5 - REYQ216AATJA											
M6 - REYQ240AATJA											
M7 - REYQ72AATJA											
M8 - REYQ96AATJA											
35	145927J FERRITE CORE (M2, M3)										
36	2543884 WIRE HARN ASSY. (M2, M3)										
37	064527J FERRITE CORE (M2, M3)										
38	2545430 SEALING MATERIAL (M2, M3)										
39	2545429 SEALING MATERIAL (M2, M3)										
40	2545058 PRT CIR BD ASSY. (NOISE FILTER) (M2, M3)										
41	2537826 THERM ASSY. (BOX AIR) (M2, M3)										
42	2545354 THERM (AIR) (M2, M3)										
43	2541025 PRT CIR BD ASSY. (COMP. INV.) (M2, M3)										
44	066578J CUP WASHER (M2, M3)										
45	981616 LOCKING CARD SPACER (M2, M3)										
46	2543882 HEAT DISSIPATION SHEET (M2, M3)										
47	2541026 PRT CIR BD ASSY. (COMP. INV.) (M2, M3)										
48	2544161 FAN MOTOR (M2, M3)										
49	2541028 PRT CIR BD ASSY. (FAN INV.) (M2, M3)										
50	2541397 PRT CIR BD ASSY. (SUB) (M2, M3)										
51	2537819 REACTOR (M2, M3)										
52	2541029 REACTOR (M2, M3)										
53	2543809 BOTTOM FRAME (M2, M3)										
54	2537844 TOP PLATE ASSY. (M2, M3)										
55	2537846 SIDE PLATE (M2, M3)										
56	2543903 BELL MOUTH (M2, M3)										
57	2543774 SUPPORT (FRONT LF / BACK RT) (M2, M3)										

REYQ[144/168]AAT JA

REYQ144AATJA / REYQ168AATJA



Ref #	Picture #
1	B1
2	B10
3	B10-1
4	B11
5	B11-1
6	B12
7	B13
8	B13-1
9	B13-2
10	B13-3
11	B13-4
12	B13-5
13	B13-6
14	B14
15	B14-1
16	B15
17	B15-1
18	B15-10
19	B15-11
20	B15-12
21	B15-13
22	B15-2
23	B15-3
24	B15-4
25	B15-5
26	B15-6
27	B15-7
28	B15-8
29	B15-9
30	B2
31	B3
32	B4
33	B4-1
34	B5
35	B5-1
36	B6
37	B6-1
38	B6-10
39	B6-2
40	B6-3
41	B6-4
42	B6-5
43	B6-6
44	B6-6-1
45	B6-7
46	B6-8
47	B6-9
48	B7
49	B7-1
50	B7-10
51	B7-11
52	B7-12
53	B7-13
54	B7-14
55	B7-15
56	B7-16
57	B7-17
58	B7-18
59	B7-19
60	B7-20
61	B7-21
62	B7-22
63	B7-23
64	B7-24
65	B7-25
66	B7-26
67	B7-27
68	B7-28
69	B7-29
70	B7-30
71	B7-31
72	B7-32
73	B7-33
74	B7-34
75	B7-35
76	B7-36
77	B7-37
78	B7-38
79	B7-39
80	B7-40
81	B7-41
82	B7-42
83	B7-43
84	B7-44
85	B7-45
86	B7-46
87	B7-47
88	B7-48
89	B7-49
90	B7-50
91	B8-1
92	B8-2
93	B8-3
94	B8-4
95	B8-5
96	B8-6
97	B8-7
98	B8-8
99	B8-9
100	B8-10
101	B8-11
102	B8-12
103	B8-13
104	B8-14
105	B8-15
106	B8-16
107	E10-1
108	E17
109	E17-1
110	E31
111	E32
112	E33
113	E34
114	E35
115	E36
116	F15
117	F37
118	F41
119	F42
120	F43
121	F44
122	F45
123	F47
124	F48
125	F49
126	F50
127	F51
128	F52
129	F53
130	F54
131	F55
132	F56
133	F57
134	F63
135	K1
136	K1-1
137	K1-2
138	K1-3
139	K1-4
140	K1-5
141	K1-6
142	K2

REYQ[144/168]AAT JA

Ref. Part No: No:	Description:	Ref. Part No: No:	Description:
Image 1:		Image 1:	
1	2537795	52	2509200
2	NA		
3	2540305	53	4017929
4	NA	54	2223652
5	2540305	55	2223652
6	NA	56	1996469
7	NA	57	2509130
8	2543836		
9	4012537	58	2509123
10	5009797		
11	2537811	59	0650304
12	4014007	60	2460730
13	5004283	61	5009797
14	NA	62	2537808
15	1721122	63	2111038
16	NA	64	231501J
17	2541498	65	2295051
18	2509185	66	2233628
19	2537812	67	2233628
20	2543765	68	2540302
21	2545080	69	2540301
22	2460730	70	2543802
23	154184J	71	2543761
24	1996469	72	2543764
25	2113344	73	4017929
26	1721122	74	4017929
27	4012537	75	2543803
28	5009796	76	2543765
29	4012537	77	4902809
30	NA	78	2543834
31	NA	79	2543803
32	NA	80	2417952
33	2543833	81	0206846
34	NA	82	2543765
35	2543845	83	2543887
36	NA	84	2346207
37	2540294	85	2543801
38	2545066	86	2542699
39	2540295	87	142658J
40	2119861	88	4012537
41	2454735	89	2540299
42	2541022	90	NA
43	2542697	91	2543766
44	7500021	92	4012537
45	0206846	93	5009796
46	042408J	94	2537809
47	2543799	95	2457347
48	NA	96	2096331
49	2543826	97	0206853
50	2204606	98	NA
51	2543762	99	2543869
		100	4012537
		101	5009796
		102	2537810

REYQ[144/168]AAT JA

**Ref. Part
No: No:**

Description:

**Ref. Part
No: No:**

Description:

Image 1:

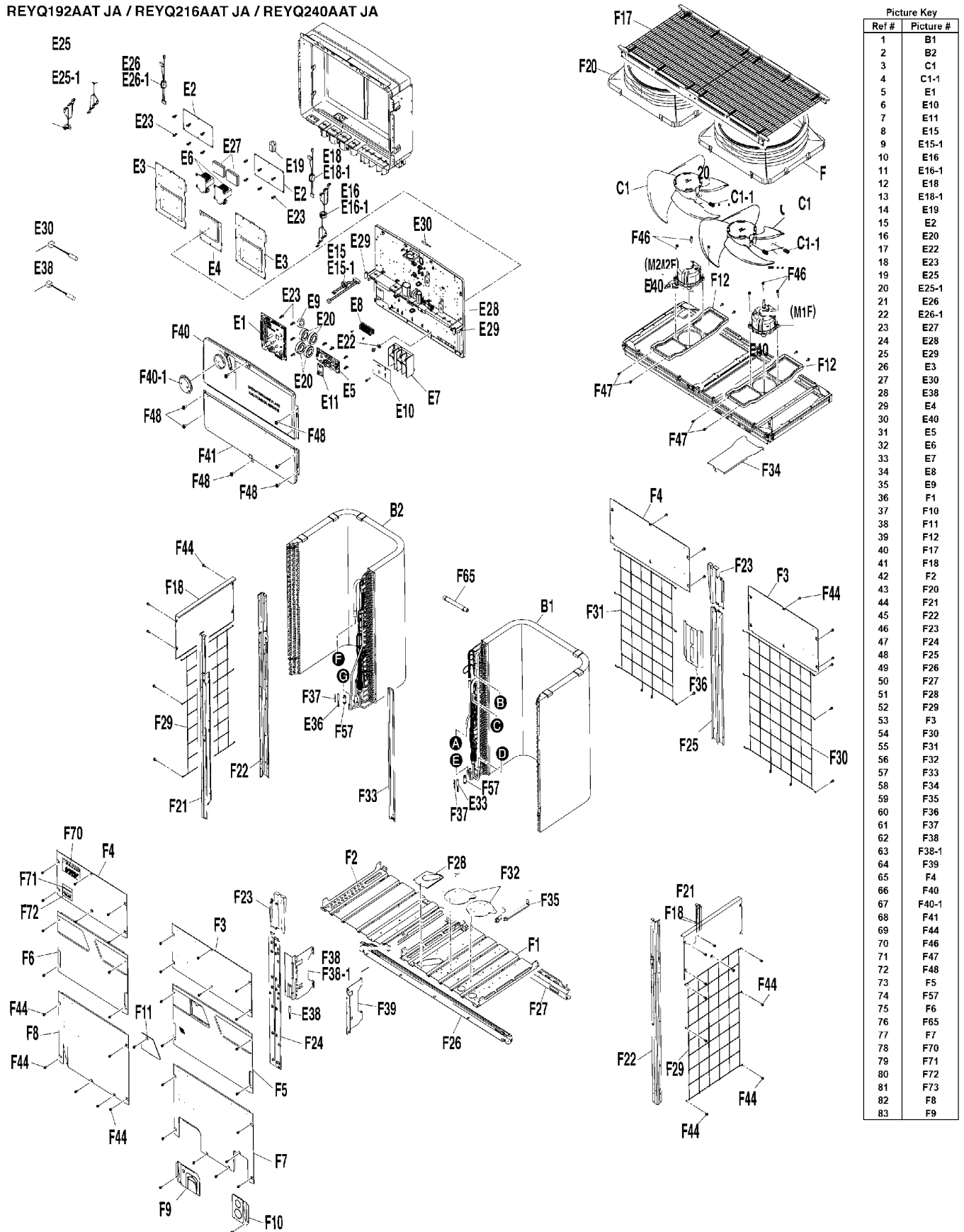
103	2460730	CHECK VALVE (M2, M3)
104	2096331	REFR STRAINER (M2, M3)
105	0206853	PIPE INSULATION PIPE COVER (M2, M3)
106	2545067	WIRE HARN ASSY. (COMP.) (M2, M3)
107	145927J	FERRITE CORE (M2, M3)
108	2543872	WIRE HARN ASSY. (COMP.) (M2, M3)
109	064527J	FERRITE CORE (M2, M3)
110	2543184	THERM ASSY. (M2, M3)
111	2543185	THERM ASSY. (M2, M3)
112	2537830	THERM ASSY. (M2, M3)
113	2537831	THERM ASSY. (M2, M3)
114	2537832	THERM ASSY. (M2, M3)
115	2508858	THERM (SUCTION) (M2, M3)
116	2543839	STOP VALVE MOUNTING PLATE ASSY. (M2, M3)
117	4013464	HEX. BOLT (M2, M3)
118	035654J	HEX. SOCKET SCREW (M2, M3)
119	4013910	THERMAL INSULATION TUBE (M2, M3)
120	2543786	WEIGHT (M2, M3)
121	4012800	WEIGHT (M2, M3)
122	042408J	THERMAL INSULATION TUBE (M2, M3)
123	144290J	THERMAL INSULATION TUBE (M2, M3)
124	4022937	THERMAL INSULATION TUBE (M2, M3)
125	165763J	THERMAL INSULATION TUBE (M2, M3)
126	2543823	THERMAL INSULATION TUBE (M2, M3)
127	040182J	THERMAL INSULATION TUBE (M2, M3)
128	2543825	THERMAL INSULATION TUBE (M2, M3)
129	2543904	THERMAL INSULATION TUBE (M2, M3)
130	2543816	THERMAL INSULATION TUBE (M2, M3)
131	2543898	THERMAL INSULATION TUBE (M2, M3)
132	2545431	THERMAL INSULATION TUBE (M2, M3)
133	2545432	PUTTY (M2, M3)
134	2543789	CAUTION LABEL (BURN) (M2, M3)
135	NA	ACCESSORY SET (M2, M3)
136	2543830	AUXILIARY PIPE (GAS SIDE FRONT) (M2)
136	2543842	AUXILIARY PIPE (GAS SIDE FRONT) (M3)
137	2543840	AUXILIARY PIPE (H/L PRESSURE GAS F) (M2)
137	2543843	AUXILIARY PIPE (H/L PRESSURE GAS F) (M3)
138	2543831	AUXILIARY PIPE (LIQUID SIDE FRONT) (M2)
138	2543844	AUXILIARY PIPE (LIQUID SIDE FRONT) (M3)
139	1442816	ELBOW JOINT (M3)
139	1799257	L-TYPE JOINT (M2)
140	2543821	AUXILIARY PIPE (GAS SIDE BOTTOM) (M3)
140	2543832	AUXILIARY PIPE (GAS SIDE BOTTOM) (M2)
141	4023017	AUXILIARY PIPE (M3)
141	4023035	AUXILIARY PIPE (M2)
142	2544136	GREASE ASSY. (M2, M3)

Expanded Model Nomenclature

M1 - REYQ120AATJA
M2 - REYQ144AATJA
M3 - REYQ168AATJA
M4 - REYQ192AATJA
M5 - REYQ216AATJA
M6 - REYQ240AATJA
M7 - REYQ72AATJA
M8 - REYQ96AATJA

REYQ[192/216/240]AAT JA

REYQ192AAT JA / REYQ216AAT JA / REYQ240AAT JA



Picture Key	
Ref #	Picture #
1	B1
2	B2
3	C1
4	C1-1
5	E1
6	E10
7	E11
8	E15
9	E15-1
10	E16
11	E16-1
12	E18
13	E18-1
14	E19
15	E2
16	E20
17	E22
18	E23
19	E25
20	E25-1
21	E26
22	E26-1
23	E27
24	E28
25	E29
26	E3
27	E30
28	E38
29	E4
30	E40
31	E5
32	E6
33	E7
34	E8
35	E9
36	F1
37	F10
38	F11
39	F12
40	F17
41	F18
42	F2
43	F20
44	F21
45	F22
46	F23
47	F24
48	F25
49	F26
50	F27
51	F28
52	F29
53	F3
54	F30
55	F31
56	F32
57	F33
58	F34
59	F35
60	F36
61	F37
62	F38
63	F38-1
64	F39
65	F4
66	F40
67	F40-1
68	F41
69	F44
70	F46
71	F47
72	F48
73	F5
74	F57
75	F6
76	F65
77	F7
78	F70
79	F71
80	F72
81	F73
82	F8
83	F9

REYQ[192/216/240]AAT JA

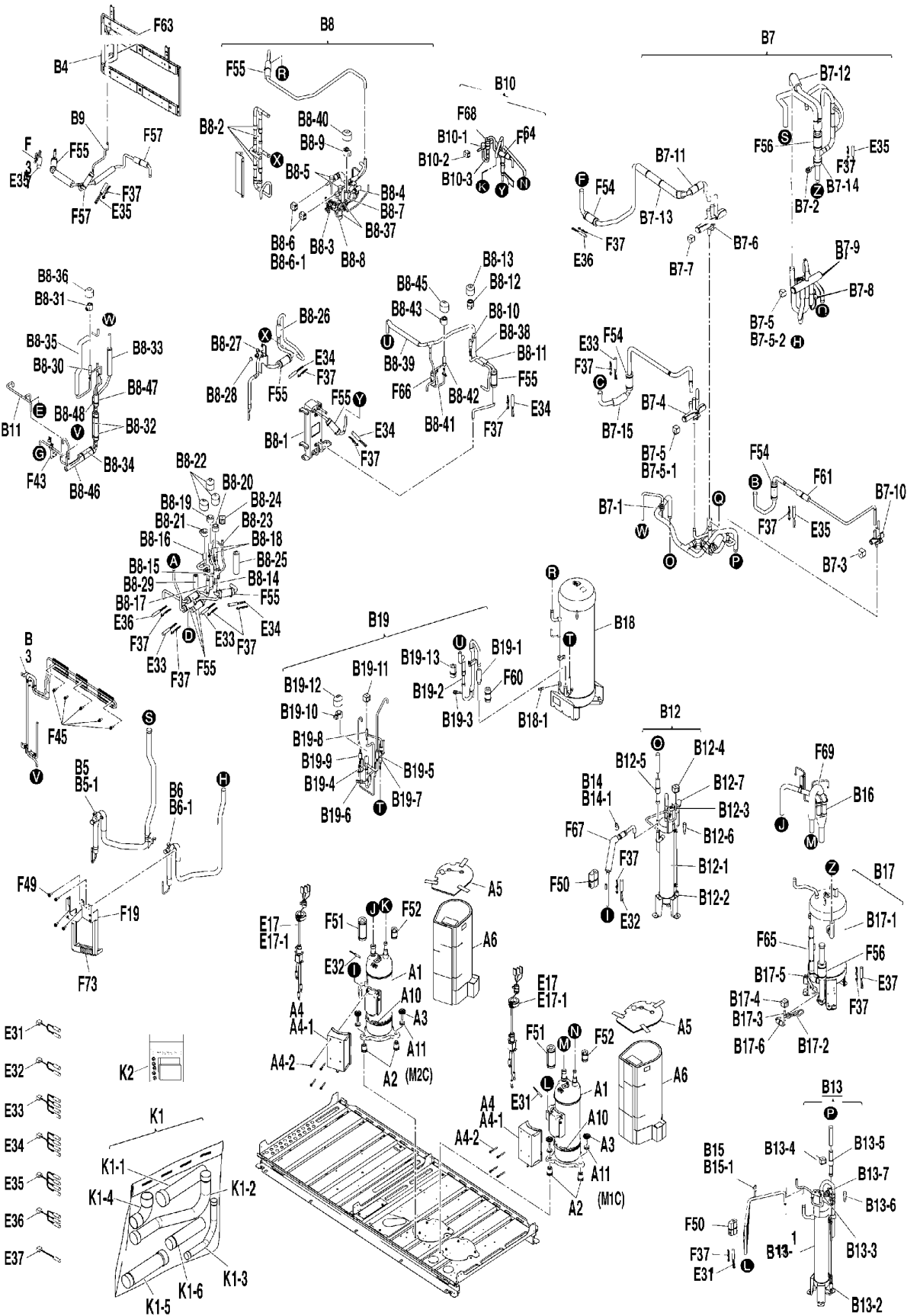
Ref. Part No: No:	Description:	Ref. Part No: No:	Description:
Image 1:		Image 1:	
1	2541390	54	2542703
	PLATE FINNED COIL HEAT EXCH. ASSY. (M4, M5, M6)		PROTECTION NET (BACK LF AND RT) (M4, M5, M6)
2	2541391	55	2542705
	PLATE FINNED COIL HEAT EXCH. ASSY. (M4, M5, M6)		PROTECTION NET (BACK LF AND RT) (M4, M5, M6)
3	2541399	56	2543780
	PROPELLER FAN ASSY. (M4, M5, M6)		SOUND INSULATION (M4, M5, M6)
4	057178J	57	2543858
	W POINT HEXAGON HEAD SCREW (M4, M5, M6)		PARTITION PLATE (CENTER) (M4, M5, M6)
5	2543103	58	2543859
	PRT CIR BD ASSY. (MAIN) (M4, M5, M6)		PARTITION PLATE (EXCH. UPPER) (M4, M5, M6)
6	2537821	59	2543860
	TERMINAL BLOCK (M4, M5, M6)		MOUNTING PLATE (M4, M5, M6)
7	1778003	60	2543861
	PRT CIR BD ASSY. (ABC I/P) (M4, M5, M6)		MOUNTING PLATE (M4, M5, M6)
8	2545055	61	042396J
	WIRE HARN (OPERATION CIRCUIT) (M4, M5, M6)		FITTING SPRING/ THERM (M4, M5, M6)
9	145927J	62	2543781
	FERRITE CORE (M4, M5, M6)		MOUNTING PLATE (EL. COMPO. BOX LF) (M4, M5, M6)
10	2543871		
	WIRE HARN ASSY. (MAIN CIRCUIT) (M4, M5, M6)	63	2543796
11	064527J		
	FERRITE CORE (M4, M5, M6)		
12	2543873		
	WIRE HARN ASSY. (M4, M5, M6)	64	2543782
13	143407J		
	FERRITE CORE (M4, M5, M6)		
14	2031550		
	FERRITE CORE (M4, M5, M6)	65	2537836
15	2545058		
	PRT CIR BD ASSY. (NOISE FILTER) (M4, M5, M6)	66	2543783
16	4021003		
	FERRITE CORE (M4, M5, M6)		
17	066578J		
	CUP WASHER (M4, M5, M6)	67	2543785
18	981616		
	LOCKING CARD SPACER (M4, M5, M6)		
19	2543884		
	WIRE HARN ASSY. (M4, M5, M6)	68	2543784
20	064527J		
	FERRITE CORE (M4, M5, M6)		
21	2543881		
	WIRE HARN ASSY. (M4, M5, M6)	69	025047J
22	143407J		
	FERRITE CORE (M4, M5, M6)	70	4013460
23	2543882		
	HEAT DISSIPATION SHEET (M4, M5, M6)	71	0493462
24	2545430		
	SEALING MATERIAL (M4, M5, M6)	72	0356556
25	2545429		
	SEALING MATERIAL (M4, M5, M6)	73	2537837
26	2541026		
	PRT CIR BD ASSY. (COMP. INV.) (M4, M5, M6)	74	165763J
27	2537826		
	THERM ASSY. (BOX AIR) (M4, M5, M6)	75	2537838
28	2545354		
	THERM (AIR) (M4, M5, M6)	76	2543912
29	2541028		
	PRT CIR BD ASSY. (FAN INV.) (M4, M5, M6)	77	2537839
30	2544134		
	FAN MOTOR (M4, M5, M6)	78	2543787
31	2541397		
	PRT CIR BD ASSY. (SUB) (M4, M5, M6)	79	4010207
32	2541029		
	REACTOR (M4, M5, M6)	80	2543788
33	2420972		
	TERMINAL BLOCK (M4, M5, M6)	81	2543789
34	2537820		
	TERMINAL BLOCK (M4, M5, M6)	82	2537840
35	2417712		
	CURRENT TRANSFORMER (M4, M5, M6)	83	2537841
36	2543771		
	BOTTOM FRAME (M4, M5, M6)		
37	2537842		
	FRONT PLATE (WIRE) (M4, M5, M6)		
38	2543772		
	SERVICE PLATE (M4, M5, M6)		
39	4012561		
	MOTOR MOUNTING PLATE (M4, M5, M6)		
40	2537845		
	TOP PLATE ASSY. (M4, M5, M6)		
41	2537846		
	SIDE PLATE (M4, M5, M6)		
42	2543853		
	BOTTOM FRAME (M4, M5, M6)		
43	2543773		
	BELL MOUTH (M4, M5, M6)		
44	2543774		
	SUPPORT (FRONT LF / BACK RT) (M4, M5, M6)		
45	2543775		
	SUPPORT (FRONT RT / BACK LF) (M4, M5, M6)		
46	2543811		
	SUPPORT (CENTER UPPER) (M4, M5, M6)		
47	2543855		
	SUPPORT (CENTER LOWER) (M4, M5, M6)		
48	2543868		
	SUPPORT (CENTER BACK) (M4, M5, M6)		
49	2543856		
	BRACKET (FRONT) (M4, M5, M6)		
50	2543857		
	BRACKET (REAR) (M4, M5, M6)		
51	2543779		
	COVER (M4, M5, M6)		
52	2542702		
	PROTECTION NET (M4, M5, M6)		
53	2537834		
	FRONT PLATE (UPPER) (M4, M5, M6)		

Expanded Model Nomenclature

M1 - REYQ120AATJA
M2 - REYQ144AATJA
M3 - REYQ168AATJA
M4 - REYQ192AATJA
M5 - REYQ216AATJA
M6 - REYQ240AATJA
M7 - REYQ72AATJA
M8 - REYQ96AATJA

REYQ[192/216/240]AAT JA

REYQ192AAYDA / REYQ216AAYDA / REYQ240AAYDA



Part #	Picture #
1	A1
2	A10
3	A11
4	A2
5	A3
6	A4
7	A4-1
8	A4-2
9	A5
10	A6
11	B10
12	B10-1
13	B10-2
14	B10-3
15	B11
16	B12
17	B12-1
18	B12-2
19	B12-3
20	B12-4
21	B12-5
22	B12-6
23	B12-7
24	B13
25	B13-1
26	B13-2
27	B13-3
28	B13-4
29	B13-5
30	B13-6
31	B13-7
32	B14
33	B14-1
34	B15
35	B15-1
36	B16
37	B17
38	B17-1
39	B17-2
40	B17-3
41	B17-4
42	B17-5
43	B17-6
44	B18
45	B19-1
46	B19
47	B19-1
48	B19-10
49	B19-11
50	B19-12
51	B19-13
52	B19-2
53	B19-3
54	B19-4
55	B19-5
56	B19-6
57	B19-7
58	B19-8
59	B19-9
60	B3
61	B4
62	B5
63	B5-1
64	B6
65	B6-1
66	B7
67	B7-1
68	B7-10
69	B7-11
70	B7-12
71	B7-13
72	B7-14
73	B7-15
74	B7-2
75	B7-3
76	B7-4
77	B7-5
78	B7-5-1
79	B7-5-2
80	B7-6
81	B7-7
82	B7-8
83	B7-9
84	B8
85	B8-1
86	B8-10
87	B8-11
88	B8-12
89	B8-13
90	B8-14
91	B8-15
92	B8-16
93	B8-17
94	B8-18
95	B8-19
96	B8-20
97	B8-21
98	B8-22
99	B8-23
100	B8-24
101	B8-25
102	B8-26
103	B8-27
104	B8-28
105	B8-29
106	B8-30
107	B8-31
108	B8-32
109	B8-33
110	B8-34
111	B8-35
112	B8-36
113	B8-37
114	B8-38
115	B8-39
116	B8-40
117	B8-41
118	B8-42
119	B8-43
120	B8-44
121	B8-45
122	B8-46
123	B8-47
124	B8-48
125	B8-49
126	B8-50
127	B8-51
128	B8-52
129	B8-53
130	B8-54
131	B8-55
132	B8-56
133	B8-57
134	B8-58
135	B8-59
136	B8-60
137	B8-61
138	B8-62
139	B8-63
140	B8-64
141	B8-65
142	B8-66
143	B8-67
144	B8-68
145	B8-69
146	B8-70
147	B8-71
148	B8-72
149	B8-73
150	B8-74
151	B8-75
152	B8-76
153	B8-77
154	B8-78
155	B8-79
156	B8-80
157	B8-81
158	B8-82
159	B8-83
160	B8-84
161	B8-85
162	K1
163	K1-1
164	K1-2
165	K1-3
166	K1-4
167	K1-5
168	K1-6
169	K2

REYQ[192/216/240]AAT JA

Ref. Part No:	Ref. Part No:	Description:	Description:
Image 1:		Image 1:	
1	2541389	COMPRESSOR ASSY. (M4, M5, M6)	48 2509185 COIL/ ELEC EXP. VALVE (REC GAS PARGE) (M4, M5, M6)
2	2537867	CRANK CASE HEATER ASSY. (M4, M5, M6)	49 2537812 COIL/ SOLE VALVE (REF. ADJUSTMENT) (M4, M5, M6)
3	2544042	PLAIN WASHER ASSY. (M4, M5, M6)	50 0650304 WATER PROOF CAP (M4, M5, M6)
4	2279143	RUBBER VIBRATION ISOLATOR (M4, M5, M6)	51 2545080 CUSHIONING MATERIAL (M4, M5, M6)
5	2311775	COMPRESSOR MOUNTING BOLT ASSY. (M4, M5, M6)	52 2460730 CHECK VALVE (M4, M5, M6)
6	2543870	TERMINAL BOX ASSY. (M4, M5, M6)	53 154184J GAUGE PORT WITH CHECK VALVE (M4, M5, M6)
7	6027321	TERMINAL COVER (M4, M5, M6)	54 2211464 BODY/ ELEC EXP. VALVE (REC GAS PARGE) (M4, M5, M6)
8	2545053	HEXA. HEAD SCREW WITH WASHER (M4, M5, M6)	55 2113344 FILTER (FOR REF.) (M4, M5, M6)
9	2543755	COMP. SOUNDPROOF (160P) (M4, M5, M6)	56 1721122 FUSIBLE PLUG (M4, M5, M6)
10	2543756	COMP. SOUNDPROOF (160P) (M4, M5, M6)	57 4012537 FILTER (M4, M5, M6)
11	NA	MUFFLER ASSY. (M4, M5, M6)	58 5009797 BODY/ SOLE VALVE (REF. ADJUSTMENT) (M4, M5, M6)
12	2346207	BODY/ SOLE VALVE (INJECTION) (M4, M5, M6)	59 4012537 FILTER (M4, M5, M6)
13	2541395	COIL/ SOLE VALVE (INJECTION) (M4, M5, M6)	60 NA REFR PIPE ASSY. (REF. JACKET) (M4, M5, M6)
14	107638J	CHECK VALVE (M4, M5, M6)	61 NA HEAT SINK ASSY. (REF. JACKET) (M4, M5, M6)
15	NA	CONNECTION PIPE ASSY. (2) (M4, M5, M6)	62 NA REFR PIPE ASSY. (LOW PRESSURE) (M4, M5, M6)
16	NA	OIL SEPARATOR ASSY. (LF) (M4, M5, M6)	63 2543833 GAS STOP VALVE ASSY. (M4, M5, M6)
17	2543766	OIL SEPARATOR ASSY. (M4, M5, M6)	64 NA REFR PIPE ASSY. (H/L PRESSURE) (M4, M5, M6)
18	4012537	FILTER (M4, M5, M6)	65 2543845 GAS STOP VALVE ASSY. (M4, M5, M6)
19	5009796	BODY/ SOLE VALVE (OS OIL RETURN 2) (M4, M5, M6)	66 NA REFR PIPE ASSY. (FOUR WAY VALVE) (M4, M5, M6)
20	2537809	COIL/ SOLE VALVE (OS OIL RETURN 2) (M4, M5, M6)	67 2540294 PRESSURE SENSOR (M4, M5, M6)
21	2457347	CHECK VALVE (M4, M5, M6)	68 2233534 BODY/ FOUR WAY VALVE (HEAT EXC. UPPER) (M4, M5, M6)
22	2096331	REFR STRAINER (M4, M5, M6)	69 100265J THERMAL INSULATION TUBE (M4, M5, M6)
23	0206853	PIPE INSULATION PIPE COVER (M4, M5, M6)	70 2543846 THERMAL INSULATION TUBE (M4, M5, M6)
24	NA	OIL SEPARATOR ASSY. (RT) (M4, M5, M6)	71 2543847 THERMAL INSULATION TUBE (M4, M5, M6)
25	2543766	OIL SEPARATOR ASSY. (M4, M5, M6)	72 2545066 THERMAL INSULATION TUBE (M4, M5, M6)
26	4012537	FILTER (M4, M5, M6)	73 100265J THERMAL INSULATION TUBE (M4, M5, M6)
27	5009796	BODY/ SOLE VALVE (OS OIL RETURN 1) (M4, M5, M6)	74 2540295 PRESSURE SENSOR (M4, M5, M6)
28	2537810	COIL/ SOLE VALVE (OS OIL RETURN 1) (M4, M5, M6)	75 2541021 COIL/ FOUR WAY VALVE (HEAT EXC. UPPER) (M4, M5, M6)
29	2457347	CHECK VALVE (M4, M5, M6)	76 2119861 BODY/ FOUR WAY VALVE (HEAT EXC. LOWER) (M4, M5, M6)
30	2096331	REFR STRAINER (M4, M5, M6)	77 2542696 FOUR WAY VALVE COIL ASSY. (M4, M5, M6)
31	0206853	PIPE INSULATION PIPE COVER (M4, M5, M6)	78 7500021 COIL/ FOUR WAY VALVE (HEAT EXC. LOWER) (M4, M5, M6)
32	NA	DISCHARGE PIPE ASSY. (M4, M5, M6)	79 1852343 COIL/ FOUR WAY VALVE (HP/LP GAS PIPE) (M4, M5, M6)
33	2540305	HIGH PRESSURE SWITCH (M4, M5, M6)	80 2454735 BODY/ FOUR WAY VALVE (HEAT EXC. LF) (M4, M5, M6)
34	NA	DISCHARGE PIPE ASSY. (M4, M5, M6)	81 2541023 COIL/ FOUR WAY VALVE (HEAT EXC. LF) (M4, M5, M6)
35	2540305	HIGH PRESSURE SWITCH (M4, M5, M6)	82 4012537 FILTER (M4, M5, M6)
36	NA	SUCTION PIPE ASSY. (M4, M5, M6)	83 2446260 BODY/ FOUR WAY VALVE (HP/LP GAS PIPE) (M4, M5, M6)
37	NA	ACCUMULATOR ASSY. (M4, M5, M6)	84 NA LIQUID PIPE ASSY. (M4, M5, M6)
38	2543852	ACCUMULATOR ASSY. (M4, M5, M6)	85 2543848 PLATE HT EXCH ASSY. (M4, M5, M6)
39	4012537	FILTER (M4, M5, M6)	86 2204606 BODY/ ELEC EXP. VALVE (SUB COOL HEAT EXC.) (M4, M5, M6)
40	5009797	BODY/ SOLE VALVE (ACC. OIL RETURN) (M4, M5, M6)	87 2543762 THERMAL INSULATION (M4, M5, M6)
41	2537811	COIL/ SOLE VALVE (ACC. OIL RETURN) (M4, M5, M6)	
42	2545089	THERMAL INSULATION TUBE (M4, M5, M6)	
43	5004283	THERMAL INSULATION TUBE (M4, M5, M6)	
44	NA	LIQUID REC ASSY. (M4, M5, M6)	
45	1721122	FUSIBLE PLUG (M4, M5, M6)	
46	NA	REFR PIPE ASSY. (M4, M5, M6)	
47	2541498	FILTER (M4, M5, M6)	

REYQ[192/216/240]AAT JA

Ref. Part No:	No:	Description:	Ref. Part No:	No:	Description:
<i>Image 1:</i>			<i>Image 1:</i>		
88	2509200	COIL/ ELEC EXP. VALVE (SUB COOL HEAT EXC.) (M4, M5, M6)	129	2542699	COIL/ SOLE VALVE (LIQUID SHUT OFF) (M4, M5, M6)
89	4017929	PROTECTION CAP (M4, M5, M6)	130	142658J	BODY/ ELEC EXP. VALVE (REF. AUTO CHARGE) (M4, M5, M6)
90	2223652	FILTER (M4, M5, M6)	131	4012537	FILTER (M4, M5, M6)
91	2223652	FILTER (M4, M5, M6)	132	2540299	COIL/ ELEC EXP. VALVE (REF. AUTO CHARGE) (M4, M5, M6)
92	2211464	BODY/ ELEC EXP. VALVE (HEAT EXC. LF LOWER) (M4, M5, M6)	133	NA	LIQUID PIPE ASSY. (M4, M5, M6)
93	2223652	FILTER (M4, M5, M6)	134	2543872	WIRE HARN ASSY. (COMP.) (M4, M5, M6)
94	1996469	BODY/ ELEC EXP. VALVE (HEAT EXC.) (M4, M5, M6)	135	064527J	FERRITE CORE (M4, M5, M6)
95	2509123	COIL/ ELEC EXP. VALVE (HEAT EXC. RT UPPER) (M4, M5, M6)	136	2543184	THERM ASSY. (M4, M5, M6)
96	2460730	CHECK VALVE (M4, M5, M6)	137	2543185	THERM ASSY. (M4, M5, M6)
97	2509130	COIL/ ELEC EXP. VALVE (HEAT EXC. RT LOWER) (M4, M5, M6)	138	2537830	THERM ASSY. (M4, M5, M6)
98	2509161	COIL/ ELEC EXP. VALVE (HEAT EXC. LF LOWER) (M4, M5, M6)	139	2541398	THERM ASSY. (M4, M5, M6)
99	0650304	WATER PROOF CAP (M4, M5, M6)	140	2537832	THERM ASSY. (M4, M5, M6)
100	5009797	BODY/ SOLE VALVE (REF. CLG BYPASS) (M4, M5, M6)	141	2537833	THERM ASSY. (M4, M5, M6)
101	2537808	COIL/ SOLE VALVE (REF. CLG BYPASS) (M4, M5, M6)	142	2508858	THERM (SUCTION) (M4, M5, M6)
102	2111038	THERMAL INSULATION TUBE (M4, M5, M6)	143	2537868	STOP VALVE MOUNTING PLATE ASSY. (M4, M5, M6)
103	2541498	FILTER (M4, M5, M6)	144	2543909	MOUNTING PLATE (M4, M5, M6)
104	2307466	STOP VALVE (M4, M5, M6)	145	4013464	HEX BOLT (M4, M5, M6)
105	2307473	PROTECTION CAP (M4, M5, M6)	146	035654J	HEX SOCKET SCREW (M4, M5, M6)
106	144290J	THERMAL INSULATION TUBE (M4, M5, M6)	147	4013910	THERMAL INSULATION TUBE (M4, M5, M6)
107	2543761	STOP VALVE (M4, M5, M6)	148	2543786	WEIGHT (M4, M5, M6)
108	2233628	BODY/ ELEC EXP. VALVE (REF. CLG AIR) (M4, M5, M6)	149	2543862	WEIGHT (M4, M5, M6)
109	2540301	COIL/ ELEC EXP. VALVE (REF. CLG AIR) (M4, M5, M6)	150	042408J	THERMAL INSULATION TUBE (M4, M5, M6)
110	2543765	THERMAL INSULATION TUBE (M4, M5, M6)	151	144290J	THERMAL INSULATION TUBE (M4, M5, M6)
111	2543849	THERMAL INSULATION TUBE (M4, M5, M6)	152	4022937	THERMAL INSULATION TUBE (M4, M5, M6)
112	5016071	THERMAL INSULATION TUBE (M4, M5, M6)	153	2543823	THERMAL INSULATION TUBE (M4, M5, M6)
113	2543850	THERMAL INSULATION TUBE (M4, M5, M6)	154	0206846	THERMAL INSULATION TUBE (M4, M5, M6)
114	4017929	PROTECTION CAP (M4, M5, M6)	155	2543825	THERMAL INSULATION TUBE (M4, M5, M6)
115	4902809	THERMAL INSULATION TUBE (M4, M5, M6)	156	2543911	THERMAL INSULATION TUBE (M4, M5, M6)
116	2543834	THERMAL INSULATION TUBE (M4, M5, M6)	157	2543912	THERMAL INSULATION TUBE (M4, M5, M6)
117	2545090	THERMAL INSULATION TUBE (M4, M5, M6)	158	6028485	THERMAL INSULATION TUBE (M4, M5, M6)
118	2417952	PRESSURE CONTROL VALVE (M4, M5, M6)	159	2543898	THERMAL INSULATION TUBE (M4, M5, M6)
119	4017929	PROTECTION CAP (M4, M5, M6)	160	2545091	THERMAL INSULATION TUBE (M4, M5, M6)
120	1505111	PIPE CLAMP PLATE (M4, M5, M6)	161	4022317	THERMAL INSULATION TUBE (M4, M5, M6)
121	2233628	BODY/ ELEC EXP. VALVE (REF. CLG IPM) (M4, M5, M6)	162	NA	ACCESSORY SET (M4, M5, M6)
122	2540302	COIL/ ELEC EXP. VALVE (REF. CLG IPM) (M4, M5, M6)	163	2543842	AUXILIARY PIPE (GAS SIDE FRONT) (M4, M5)
123	4017929	PROTECTION CAP (M4, M5, M6)	163	2543866	AUXILIARY PIPE (GAS SIDE FRONT) (M6)
124	2543764	THERMAL INSULATION TUBE (M4, M5, M6)	164	2543863	AUXILIARY PIP E(H/L PRESSURE GAS F) (M4, M5, M6)
125	206548J	THERMAL INSULATION TUBE (M4, M5, M6)	165	2543864	AUXILIARY PIPE (LIQUID SIDE FRONT) (M4, M5, M6)
126	0206853	PIPE INSULATION PIPE COVER (M4, M5, M6)	166	1442816	L-TYPE JOINT (M4, M5, M6)
127	2346207	BODY/ SOLE VALVE (LIQUID SHUT OFF) (M4, M5, M6)	167	2543867	AUXILIARY PIPE (GAS SIDE BOTTOM) (M6)
128	2543801	SOLE VALVE COIL ASSY. (M4, M5, M6)	168	2543832	AUXILIARY PIPE (GAS SIDE BOTTOM) (M4, M5, M6)
			169	2544136	GREASE ASSY. (M4, M5, M6)

REYQ[192/216/240]AAT JA

Ref. Part

No: No:

Description:

Ref. Part

No: No:

Description:

Expanded Model Nomenclature

M1 - REYQ120AATJA
M2 - REYQ144AATJA
M3 - REYQ168AATJA
M4 - REYQ192AATJA
M5 - REYQ216AATJA
M6 - REYQ240AATJA
M7 - REYQ72AATJA
M8 - REYQ96AATJA