

## REYQ\*\*TAY(C/D)U Outdoor Heat Pump

REYQ120TAYCU  
REYQ120TAYDU  
REYQ144TAYCU  
REYQ144TAYDU  
REYQ168TAYCU  
REYQ168TAYDU  
REYQ72TAYCU  
REYQ72TAYDU  
REYQ96TAYCU  
REYQ96TAYDU



This manual is to be used by qualified technicians only.

This manual replaces RP-D6307.

# Important Information

---

## Index

Functional Parts List .....	3
Illustration and Parts .....	4 - 27

*Views shown are for parts illustrations only, not servicing procedures*

### Text Codes:

AR - As Required

NA - Not Available

NS - Not Shown

00000000 - See Note

QTY - Quantity Example (QTY 3) (If Quantity not shown, Quantity = 1)

M - Model Example (M1) (If M Code not shown, then part is used on all Models)

### Expanded Model Nomenclature:

Example M1 - Model#1 M2 - Model#2 M3 - Model#3
---

Daikin Manufacturing Company, L.P. is not responsible for personal injury or property damage resulting from improper service. Review all service information before beginning repairs.

Warranty service must be performed by an authorized technician, using authorized factory parts. If service is required after the warranty expires, Daikin Manufacturing Company, L.P. also recommends contacting an authorized technician and using authorized factory parts.

Daikin Manufacturing Company, L.P. reserves the right to discontinue, or change at any time, specifications or designs without notice or without incurring obligations.

For assistance within the U.S.A. contact:

Homeowner Support  
Daikin North America, LLC  
19001 Kermier Road  
Waller, Texas 77484  
855-770-5678-Telephone  
713-863-2382-Facsimile

For assistance outside the U.S.A. contact:

International Division  
Daikin North America, LLC  
19001 Kermier Road  
Waller, Texas 77484  
713-861-2500-Telephone  
713-863-2382-Facsimile

# Functional Parts

**Part  
No:**

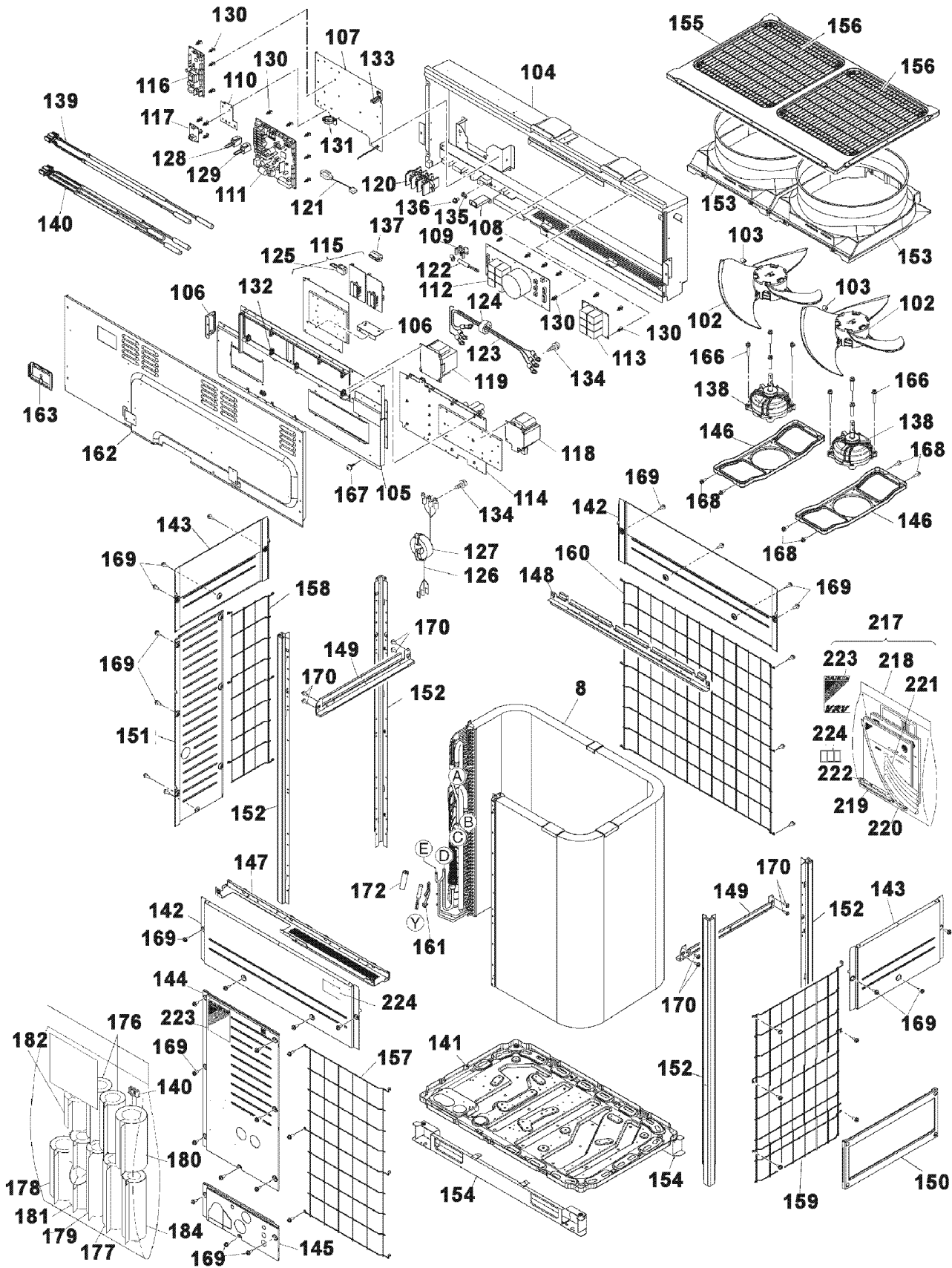
**Description:**

## Expanded Model Nomenclature

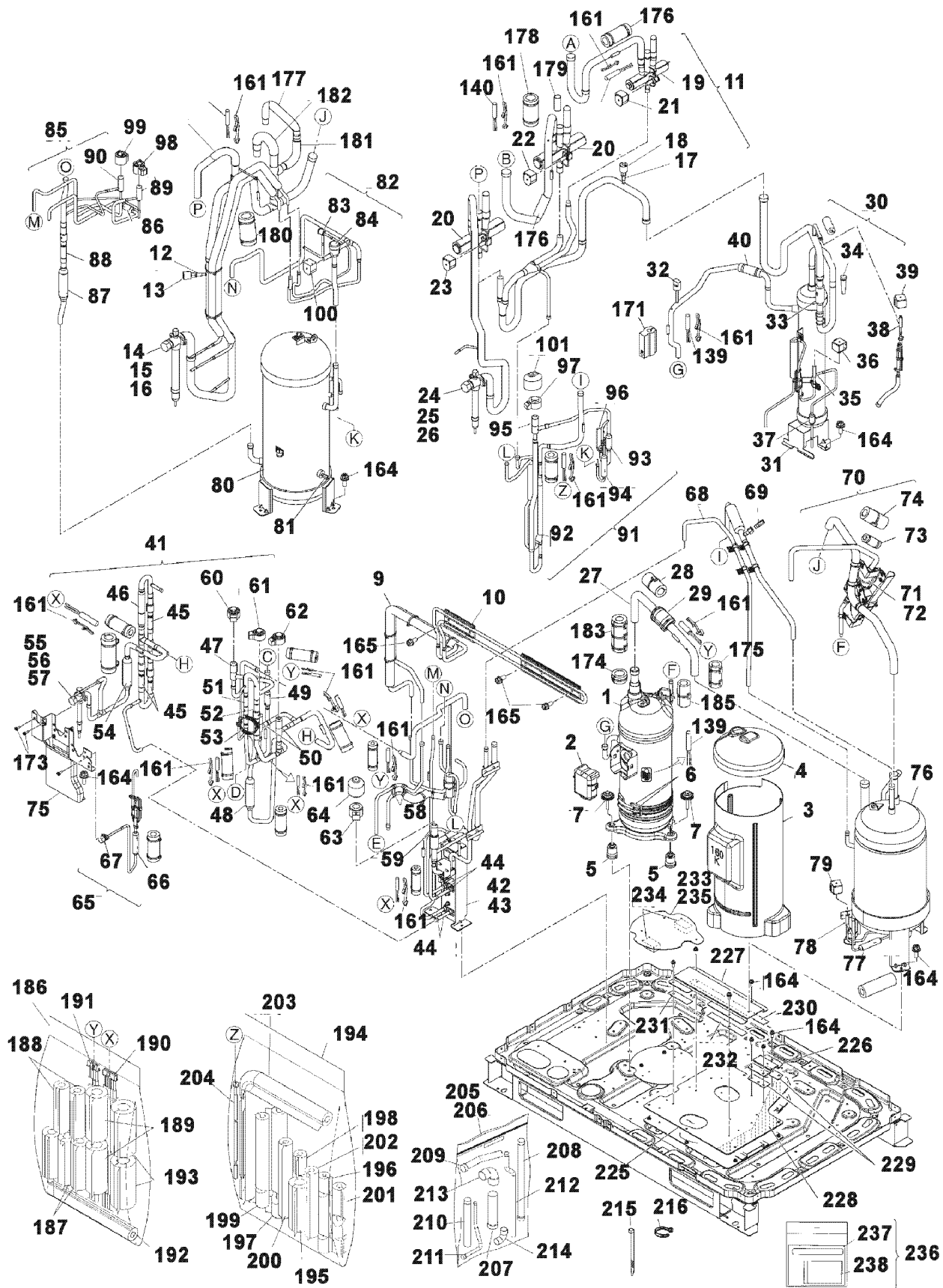
6019596	BODY/ FOUR WAY VALVE (M1, M9)
2103486	CHECK VALVE
1076389	CHECK VALVE
1086083	CHECK VALVE (QTY 5)
6026560	CHECK VALVE (M3, M5)
1599729	CHECK VALVE (M1, M2, M3, M4, M5, M6, M7, M9, M10)
2008769	CHECK VALVE (M8)
2103479	CHECK VALVE (M1, M4, M6, M7, M9)
0386216	CHECK VALVE (M8)
7009598	CRANK CASE HEATER (M1, M3, M5, M7, M9)
6019593	CRANKCASE HEATER (M2, M4, M6, M8, M10)
6019690	CRANKCASE HEATER (M2, M4, M6, M10)
2113577	CURRENT SENSOR (M8)
2117168	CURRENT TRANSFORMER
7009643	DC FAN MOTOR (M1, M3, M5, M7, M9)
4012441	FAN MOTOR (M8)
1295041	GAUGE JOINT WITH CHECK VALVE (M2, M10)
2226916	HIGH PRESSURE SENSOR (M8)
2227003	HIGH PRESSURE SENSOR (M2, M4, M6, M10)
7009604	HIGH PRESSURE SENSOR (M1, M3, M5, M7, M9)
7009449	HIGH PRESSURE SWITCH (M2, M4, M6, M8, M10)
7009608	HIGH PRESSURE SWITCH (M1, M3, M5, M7, M9)
7009639	LOW FREQUENCY TRANSFORMER (M1, M3, M5, M7, M9)
7009503	LOW FREQUENCY TRANSFORMER (M4, M6, M8)
7009603	LOW PRESSURE SENSOR (M1, M3, M5, M7, M9)
2226992	LOW PRESSURE SENSOR (M2, M4, M6, M8, M10)
7009625	PRESSURE CONTROL VALVE (M1, M3, M5, M7, M9)
1991750	PRESSURE CONTROL VALVE (M2, M4, M6, M8, M10)
7009663	SCROLL COMPRESSOR (M3, M5)
7009548	SCROLL COMPRESSOR (M3, M6, M8)
7009593	SCROLL COMPRESSOR (M1, M7, M9)
7009494	SCROLL COMPRESSOR (M2, M4, M6, M10)
2104681	STOP VALVE (M1, M2, M7, M8, M9, M10)
2114424	STOP VALVE
2113351	STOP VALVE (M8)
2103455	STOP VALVE
2103448	STOP VALVE (M3, M4, M5, M6)
7009662	THERMISTOR (M1, M3, M5, M7, M9)
7009640	THERMISTOR (AIR A1P) (M1, M3, M5, M7, M9)
4012552	THERMISTOR (AIR) (M8)
1782095	THERMISTOR (AIR) (M2, M4, M6, M10)

M1 - REYQ120TAYCU
M2 - REYQ120TAYDU
M3 - REYQ144TAYCU
M4 - REYQ144TAYDU
M5 - REYQ168TAYCU
M6 - REYQ168TAYDU
M7 - REYQ72TAYCU
M8 - REYQ72TAYDU
M9 - REYQ96TAYCU
M10 - REYQ96TAYDU

REYQ72TAYCU

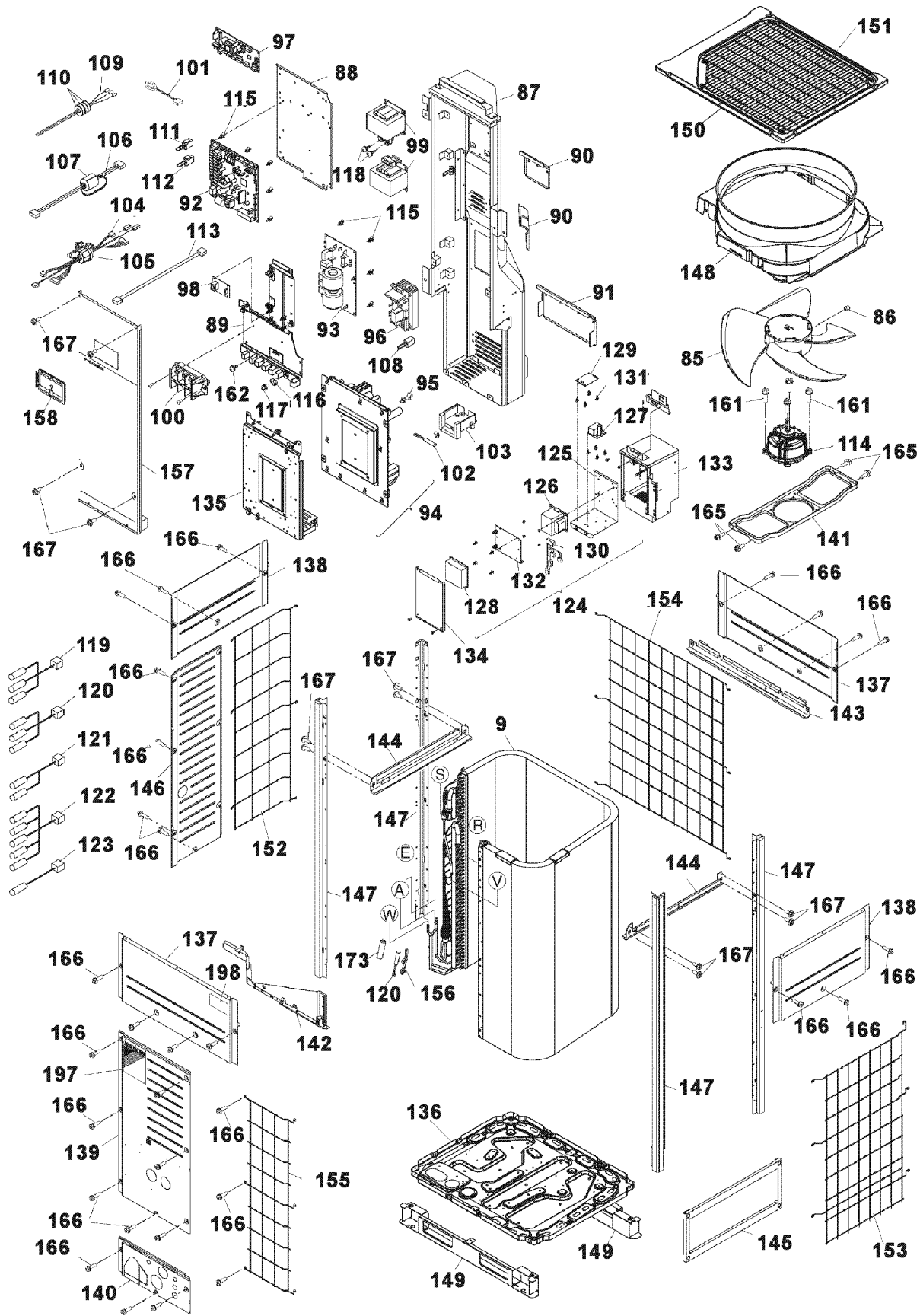




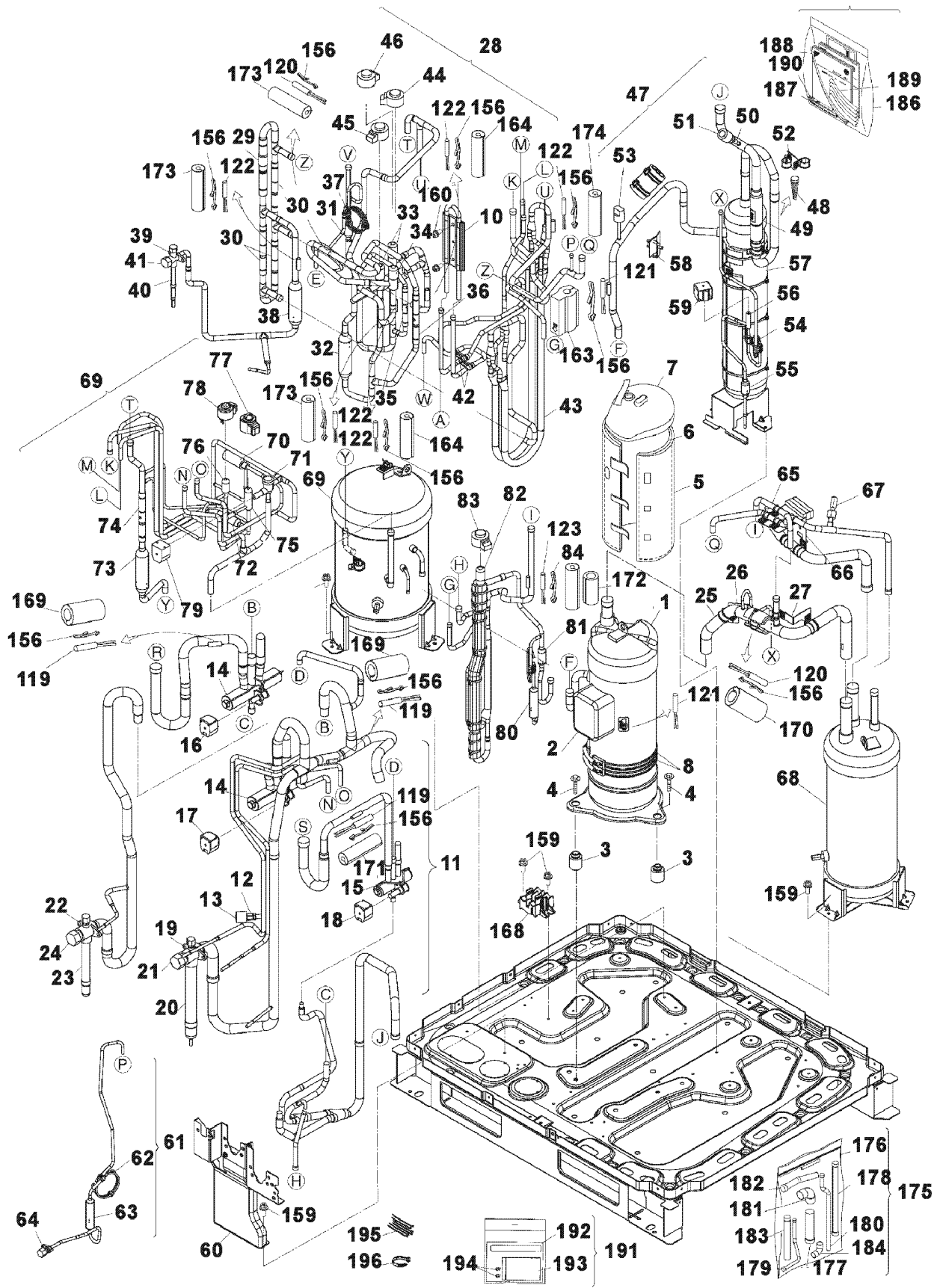


Ref. Part No: No:	Description:	Ref. Part No: No:	Description:
<b>Image 1:</b>		<b>Image 1:</b>	
1	7009593	52	1086083
2	7009594	53	1821433
3	2278885	54	232022
4	2278892	55	6019692
5	6026527	56	2103455
6	7009598	57	1435849
7	6026533	58	1505111
9	7009600	59	1801415
10	7009601	60	7009611
11	7009602	61	7009612
12	1295041	62	7009613
13	7009603	63	7009614
14	6019662	64	7009700
15	2104681	65	7009615
16	2116831	66	232005
17	1295041	67	7009616
18	7009604	68	7009617
19	2119861	69	7009455
20	6019596	70	7009618
21	7500059	71	7009619
22	7500060	72	0424529
23	7500061	73	7009620
24	6019595	74	2317139
25	2114424	75	7500035
26	2116831	76	7009621
27	7009605	77	232005
28	2317139	78	2165972
29	NA	79	7009622
30	7009606	80	7009623
31	7009607	81	7009455
32	7009608	82	7009624
33	2103479	83	7009625
34	2096331	84	1476578
35	2165965	85	7009701
36	7500071	86	2113337
37	4012537	87	0120005
38	2165972	88	1086083
39	7500070	89	2233628
40	6026532	90	2204606
41	7009609	91	7009627
42	7009610	92	7500077
43	2305439	93	2113344
44	NA	94	232005
45	1086083	95	1996469
46	1599729	96	7500078
47	1996469	97	7009628
48	232022		
49	2113344		
50	1996469		
51	1076389		

Ref. Part No:	Part No:	Description:	Ref. Part No:	Part No:	Description:										
<b>Image 1:</b>			<b>Image 1:</b>												
98	7009629	COIL/ ELECTRONIC EXP. VALVE (REFRIGERANT COOLING) (M7)	230	7009709	CUSHION RUBBER (2) (M7)										
99	7009630	COIL/ ELECTRONIC EXP. VALVE (SUBCOOL HEAT EXC.) (M7)	231	7009710	CUSHION RUBBER (3) (M7)										
100	7500080	COIL/ SOLENOID VALVE (LIQUID SHUT OFF) (M7)	232	7009711	CUSHION RUBBER (4) (M7)										
101	0650304	WATER PROOF CAP (M7)	233	2311744	SOUND INSULATION (BOTTOM PLATE) (M7)										
139	7009644	THERMISTOR ASSY. (M7)	234	7009712	SEALING MATERIAL (M7)										
140	7009645	THERMISTOR ASSY. (M7)	235	7009713	SOUND INSULATION (BOTTOM PLATE) (M7)										
161	0423968	FITTING SPRING/ THERMISTOR (M7)	236	NA	GREASE ASSY. (M7)										
164	NA	HEX. HEAD TAPPING SCREW (M7)	237	NA	REPLACEMENT INSTRUCTIONS SHEET (M7)										
165	4012540	HEX. BOLT (M7)	238	NA	GREASE (M7)										
171	1281530	THERMAL INSULATION (M7)	<b>Expanded Model Nomenclature</b>												
173	0356549	HEX. SOCKET SCREW (M7)	<table border="1"> <tr><td>M1 - REYQ120TAYCU</td></tr> <tr><td>M2 - REYQ120TAYDU</td></tr> <tr><td>M3 - REYQ144TAYCU</td></tr> <tr><td>M4 - REYQ144TAYDU</td></tr> <tr><td>M5 - REYQ168TAYCU</td></tr> <tr><td>M6 - REYQ168TAYDU</td></tr> <tr><td>M7 - REYQ72TAYCU</td></tr> <tr><td>M8 - REYQ72TAYDU</td></tr> <tr><td>M9 - REYQ96TAYCU</td></tr> <tr><td>M10 - REYQ96TAYDU</td></tr> </table>			M1 - REYQ120TAYCU	M2 - REYQ120TAYDU	M3 - REYQ144TAYCU	M4 - REYQ144TAYDU	M5 - REYQ168TAYCU	M6 - REYQ168TAYDU	M7 - REYQ72TAYCU	M8 - REYQ72TAYDU	M9 - REYQ96TAYCU	M10 - REYQ96TAYDU
M1 - REYQ120TAYCU															
M2 - REYQ120TAYDU															
M3 - REYQ144TAYCU															
M4 - REYQ144TAYDU															
M5 - REYQ168TAYCU															
M6 - REYQ168TAYDU															
M7 - REYQ72TAYCU															
M8 - REYQ72TAYDU															
M9 - REYQ96TAYCU															
M10 - REYQ96TAYDU															
174	6026549	WEIGHT (M7)													
175	7009680	WEIGHT ASSY. (M7)													
177	NA	PIPE INSULATION (M7)													
178	0424055	HEAT INSULATION COVER (M7)													
179	7500117	THERMAL INSULATION TUBE (3) (M7)													
180	NA	THERMAL INSULATION TUBE (M7)													
181	7009649	THERMAL INSULATION TUBE (2) (M7)													
182	7009650	THERMAL INSULATION TUBE (M7)													
183	7009678	WEIGHT (M7)													
185	2317139	WEIGHT (M7)													
186	7009651	ACCESSORY SET (3) (M7)													
187	1442900	HEAT INSULATION TUBE (M7)													
188	1657632	THERMAL INSULATION TUBE (M7)													
189	1442917	HEAT INSULATION TUBE (M7)													
190	7009652	THERMISTOR ASSY. (M7)													
191	7009653	THERMISTOR ASSY. (M7)													
192	7009702	HEAT INSULATION TUBE (M7)													
193	7009703	HEAT INSULATION TUBE (M7)													
194	NA	ACCESSORY SET (4) (RV) (M7)													
195	1442917	HEAT INSULATION TUBE (M7)													
196	7009654	THERMAL INSULATION TUBE (1) (M7)													
197	7009655	THERMAL INSULATION TUBE (2) (M7)													
198	7009656	THERMAL INSULATION TUBE (3) (M7)													
199	7009657	THERMAL INSULATION TUBE (4) (M7)													
200	7009658	THERMAL INSULATION TUBE (9) (M7)													
201	7009659	THERMAL INSULATION TUBE (6) (M7)													
202	7009660	THERMAL INSULATION TUBE (7) (M7)													
203	7009661	THERMAL INSULATION TUBE (8) (M7)													
204	7009662	THERMISTOR (M7)													
205	NA	ACCESSORIES ASSY. (M7)													
206	0311135	ACCESSORIES BAG (M7)													
207	7500052	AUXILIARY PIPE (GAS SIDE FRONT) (M7)													
208	7500053	AUXILIARY PIPE (GAS SIDE BOTTOM) (M7)													
209	7500054	AUXILIARY PIPE (H AND L PRESSURE) (M7)													
210	7500055	AUXILIARY PIPE (H AND L PRESSURE) (M7)													
211	7500096	AUXILIARY PIPE (LIQUID SIDE FRONT) (M7)													
212	7500097	AUXILIARY PIPE (LIQUID SIDE BOTTOM) (M7)													
213	254107	L-TYPE JOINT (M7)													
214	254105	ELBOW JOINT (M7)													
215	980773	CLAMP/ LEAD WIRE (M7)													
216	1278921	TIE WRAP (M7)													
225	7009704	MOUNTING PLATE (ACCUMULATOR) (M7)													
226	7009705	MOUNTING PLATE (1) (M7)													
227	7009706	MOUNTING PLATE (2) (M7)													
228	7009707	CUSHION RUBBER (M7)													
229	7009708	CUSHION RUBBER (1) (M7)													







Ref. Part No: No:	Description:	Ref. Part No: No:	Description:
<i>Image 1:</i>		<i>Image 1:</i>	
1	7009548	51	2226916
2	1874305	52	7500033
3	1278109	53	7009449
4	1625318	54	5009811
5	6019660	55	4012537
6	6019661	56	2165965
7	2133355	57	7009514
8	6019593	58	2113382
10	7009495	59	7500034
11	7500020	60	7500035
12	1944437	61	7500036
13	2226992	62	1657579
14	2119861	63	232005
15	2233534	64	7500037
16	7500021	65	NA
17	7500022	66	NA
18	7500023	67	7009455
19	6019662	68	7009690
20	2104681	69	7500039
21	2116831	70	1991750
22	6019595	71	1411533
23	2114424	72	2113337
24	2116831	73	232022
25	7500024	74	1076389
26	7500025	75	2233628
27	7500026	76	2200116
28	7500027	77	7500040
29	1086083	78	7500041
30	1076389	79	7500042
31	2113337	80	232005
32	232022	81	2113337
33	1996469	82	2233666
34	2061568	83	7500043
35	0386216	84	0423968
36	1076389	119	7500046
37	1821433	120	7500047
38	232022	121	6019684
39	6019597	122	7500048
40	2113351	123	2233680
41	0454328	156	0423968
42	1505111	159	NA
43	7500028	160	4012540
44	7500029	163	1281530
45	7500030	164	1442900
46	7500031	168	2203672
47	7500032	169	0424086
48	2096331	170	7500050
49	2008769	171	1291962
50	1944437	172	2104643
		173	1442900
		174	7500051

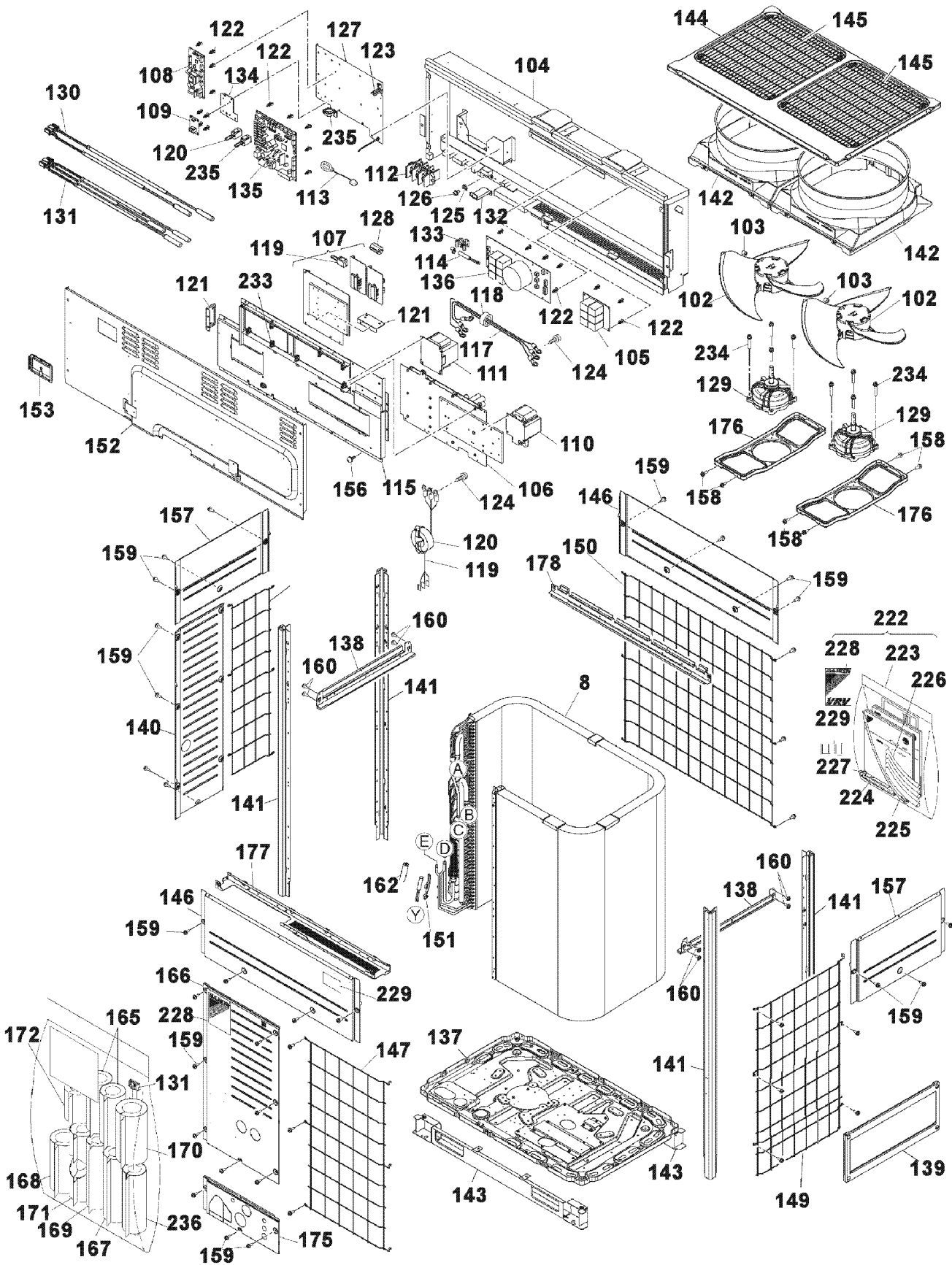
Ref. Part No: No:	Description:	Ref. Part No: No:	Description:
-------------------	--------------	-------------------	--------------

**Image 1:**

175	NA	ACCESSORIES ASSY. (M8)
176	0311135	ACCESSORIES BAG (M8)
177	7500052	AUXILIARY PIPE (GAS SIDE FRONT) (M8)
178	7500053	AUXILIARY PIPE (GAS SIDE BOTTOM) (M8)
179	7009490	AUXILIARY PIPE (LIQUID SIDE FRONT) (M8)
180	7009491	AUXILIARY PIPE (LIQUID SIDE BOTTOM) (M8)
181	1799257	L-TYPE JOINT (M8)
182	7500054	AUXILIARY PIPE (H AND L PRESSURE) (M8)
183	7500055	AUXILIARY PIPE (H AND L PRESSURE) (M8)
184	254105	ELBOW JOINT (M8)
185	NA	ACCESSORY SET (LABEL) (M8)
186	0311142	ACCESSORIES BAG (M8)
187	980774	TIE WRAP (M8)
188	980772	CLAMP/ LEAD WIRE (M8)
189	1997424	ELECTRIC INSULATION (M8)
190	0568272	TIE WRAP (M8)
191	NA	GREASE ASSY. (M8)
192	NA	REPLACEMENT INSTRUCTIONS SHEET (M8)
193	NA	GREASE (M8)
194	2103633	HEX. BOLT (M8)
195	980773	CLAMP/ LEAD WIRE (M8)
196	1278921	TIE WRAP (M8)

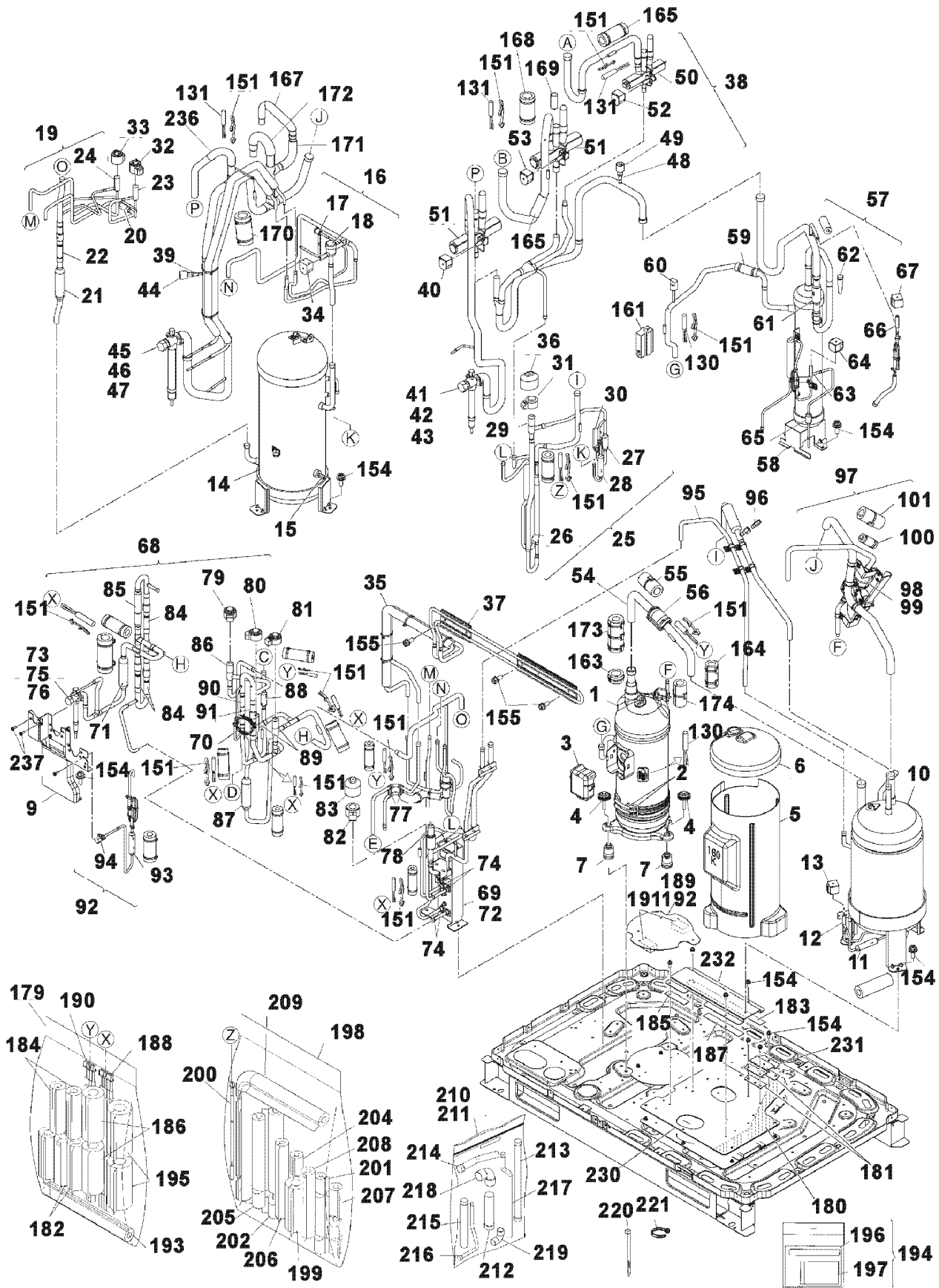
**Expanded Model Nomenclature**

M1 - REYQ120TAYCU
M2 - REYQ120TAYDU
M3 - REYQ144TAYCU
M4 - REYQ144TAYDU
M5 - REYQ168TAYCU
M6 - REYQ168TAYDU
M7 - REYQ72TAYCU
M8 - REYQ72TAYDU
M9 - REYQ96TAYCU
M10 - REYQ96TAYDU



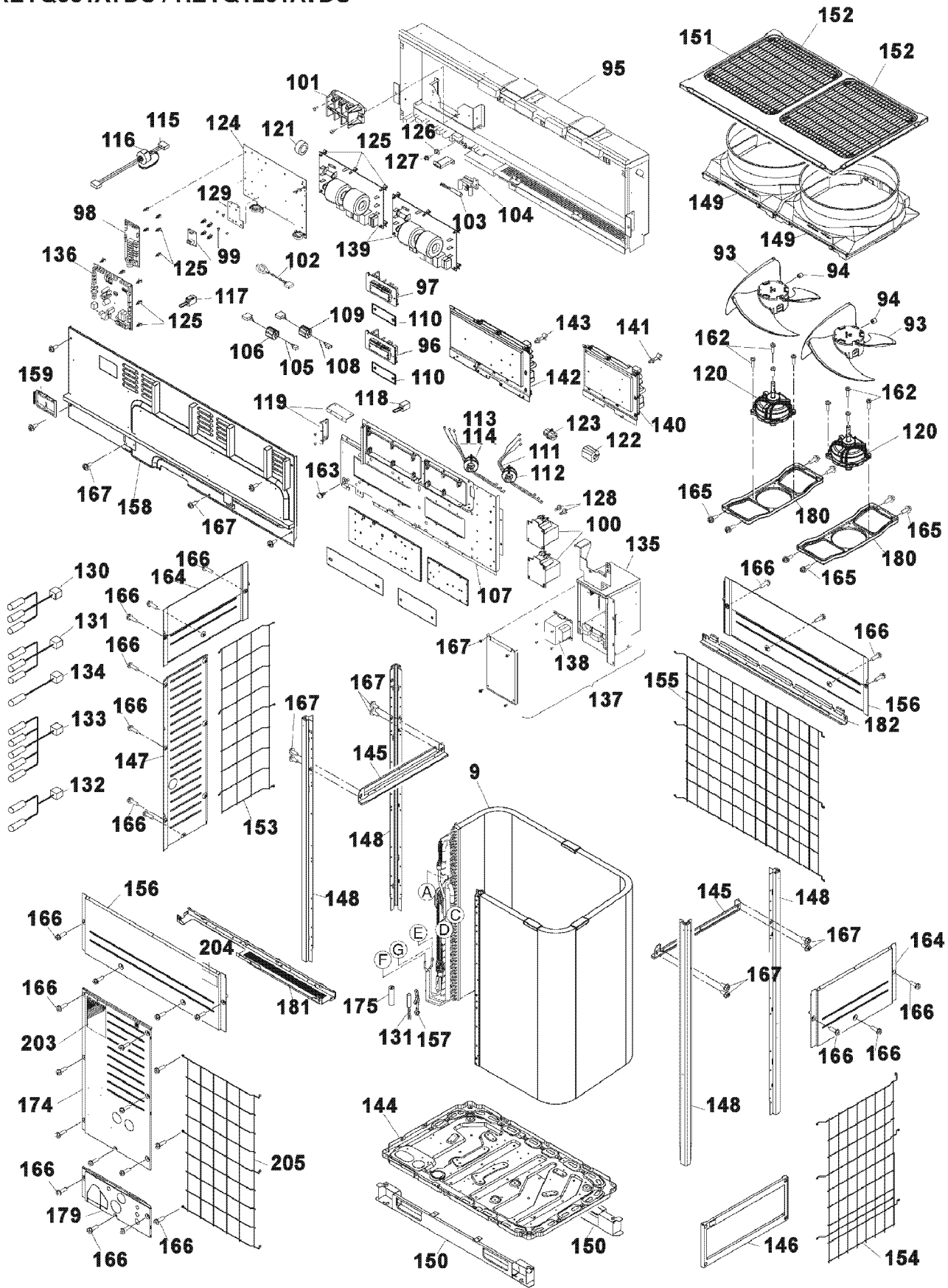


REYQ96TAYCU / REYQ120TAYCU

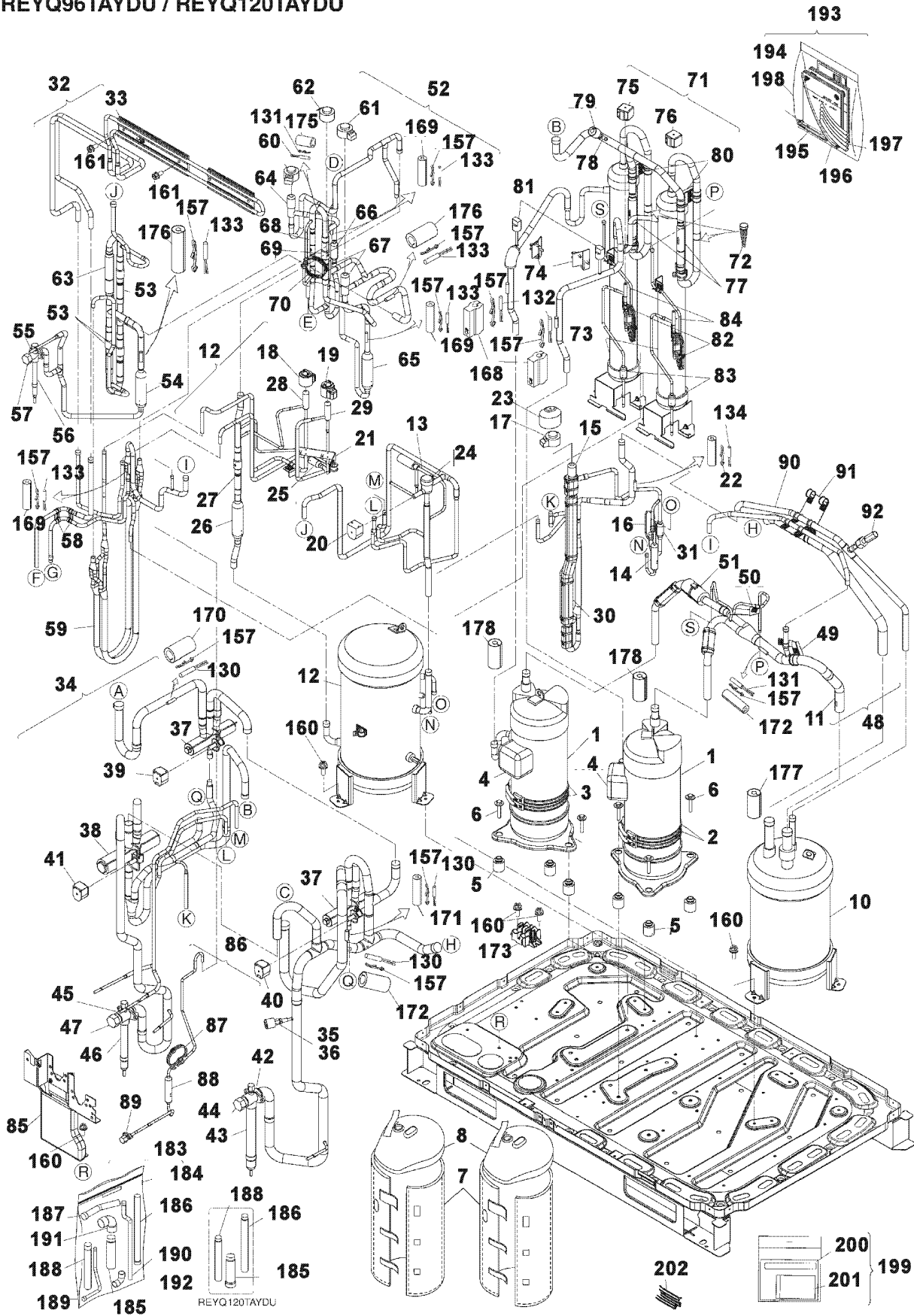


Ref. Part No: No:	Description:	Ref. Part No: No:	Description:
<b>Image 1:</b>		<b>Image 1:</b>	
1	7009593	49	7009604
2	7009598	50	2119861
3	7009594		
4	6026533	51	6019596
5	2278885	52	7500059
6	2278892		
		53	7500060
7	6026527		
9	7500035	54	7009605
10	7009621	55	2317139
11	232005	56	NA
12	2165972	57	7009606
		58	7009607
13	7009622	59	6026532
		60	7009608
14	7009623	61	2103479
15	7009455	62	2096331
16	7009624	63	2165965
17	7009625		
18	1476578	64	7500071
		65	4012537
19	7009701	66	2165972
20	2113337		
21	0120005	67	7500070
22	1086083		
23	2233628	68	7009609
		69	7009610
24	2204606	70	1821433
		71	232022
25	7009627	72	2305439
26	7500077	73	6019692
27	2113344	74	NA
28	232005	75	2103455
29	1996469	76	1435849
		77	1505111
30	7500078	78	1801415
31	7009628		
		79	7009611
32	7009629		
		80	7009612
33	7009630		
		81	7009613
34	7500080		
		82	7009614
35	7009600		
36	0650304	83	7009700
37	7009601	84	1086083
38	7009602	85	1599729
39	1295041	86	1996469
40	7500061		
41	6019595	87	232022
42	2114424	88	2113344
43	2116831	89	1996469
44	7009603		
45	6019662	90	1076389
46	2104681	91	1086083
47	2116831	92	7009615
48	1295041		









Ref. Part No: No:	Description:	Ref. Part No: No:	Description:	
<b>Image 1:</b>		<b>Image 1:</b>		
1	7009494	50	7500064	MOUNTING PLATE ASSY. (M2, M10)
2	6019593	51	2104650	PLUMMET (M2, M10)
3	6019690	52	7500065	LIQUID PIPE ASSY. (M2, M10)
4	1874305	53	1086083	CHECK VALVE (M2, M10)
5	1278109	54	232022	REFRIGERANT FILTER (M2, M10)
6	1625318	55	6019692	STOP VALVE ASSY. (LIQUID) (M2, M10)
7	6019660	56	2103455	STOP VALVE (M2, M10)
8	2133355	57	1435849	CAP/ STOP VALVE (M2, M10)
10	7009694	58	1505111	PIPE CLAMP PLATE (M2, M10)
11	7500075	59	7500028	DOUBLE TUBE HEAT EXCH. ASSY. (M2, M10)
12	7500076	60	7500066	COIL/ ELECTRONIC EXP. VALVE (LEAK DETECTION) (M2, M10)
13	1991750			
14	232005	61	7500030	COIL/ ELECTRONIC EXP. VALVE (HEAT EXC. LOWER) (M2, M10)
15	1996469	62	7500031	COIL/ ELECTRONIC EXP. VALVE (HEAT EXC. UPPER) (M2, M10)
16	7500078			
17	7500043	63	1599729	CHECK VALVE (M2, M10)
		64	1996469	BODY/ ELECTRONIC EXP. VALVE (LEAK DETECTION) (M2, M10)
18	7500079	65	232022	REFRIGERANT FILTER (M2, M10)
19	7009565	66	2113344	FILTER (FOR REF.) (M2, M10)
		67	1996469	BODY/ ELECTRONIC EXP. VALVE (HEAT EXC.) (M2, M10)
20	7500080	68	1076389	CHECK VALVE (M2, M10)
21	7500081	69	1086083	CHECK VALVE (M2, M10)
22	0423968	70	1821433	CAPILLARY TUBE (M2, M10)
23	0650304	71	7500067	DISCHARGE PIPE ASSY. (M2, M10)
24	1476578	72	2096331	REFRIGERANT STRAINER (M2, M10)
		73	7009450	OIL SEPARATOR ASSY. (M2, M10)
25	2113337	74	2113382	FIXTURE (M2, M10)
26	0120005	75	7500070	COIL/ SOLENOID VALVE (OS OIL RETURN 2) (M2, M10)
27	1086083			
28	2233628	76	7500071	COIL/ SOLENOID VALVE (OS OIL RETURN 1) (M2, M10)
29	2204606	77	1599729	CHECK VALVE (M2, M10)
		78	1295041	GAUGE JOINT WITH CHECK VALVE (M2, M10)
30	7500077	79	2227003	HIGH PRESSURE SENSOR (M2, M10)
31	2113337	80	7500069	MOUNTING PLATE ASSY. (M2, M10)
32	7009560	81	7009449	HIGH PRESSURE SWITCH (M2, M10)
33	7009561	82	NA	CAPILLARY TUBE (M2, M10)
34	7500058	83	4012537	FILTER (M2, M10)
35	1944437	84	2165965	BODY/ SOLENOID VALVE (OS OIL RETURN) (M2, M10)
36	2226992			
37	2119861	85	7500035	STOP VALVE MOUNTING PLATE (M2, M10)
38	6019596	86	7500072	REFRIGERANT PIPE ASSY. (M2, M10)
39	7500059	87	1657579	CAPILLARY TUBE (M2, M10)
		88	232005	REFRIGERANT FILTER (M2, M10)
40	7500060	89	7500073	SERVICE PORT ASSY. (M2, M10)
		90	NA	REFRIGERANT PIPE ASSY. (9) (M2, M10)
41	7500061	91	NA	MOUNTING PLATE (M2, M10)
42	6019662	92	7009455	FUSIBLE PLUG ASSY. (M2, M10)
43	2104681	130	7500085	THERMISTOR ASSY. (SUCTION)(HEAT EXC. GAS U/L) (M2, M10)
44	2116831			
45	6019595	131	7500086	THERMISTOR ASSY. (M2, M10)
46	2114424	132	6019745	THERMISTOR ASSY. (DISCHARGE) (M2, M10)
47	2116831	133	7500087	THERMISTOR ASSY. (M2, M10)
48	7500062	134	7500088	THERMISTOR (RECEIVER GAS PURGE) (M2, M10)
49	7500063	150	7009538	BRACKET (M2, M10)

Ref. Part No:	Part No:	Description:	Ref. Part No:	Part No:	Description:
---------------	----------	--------------	---------------	----------	--------------

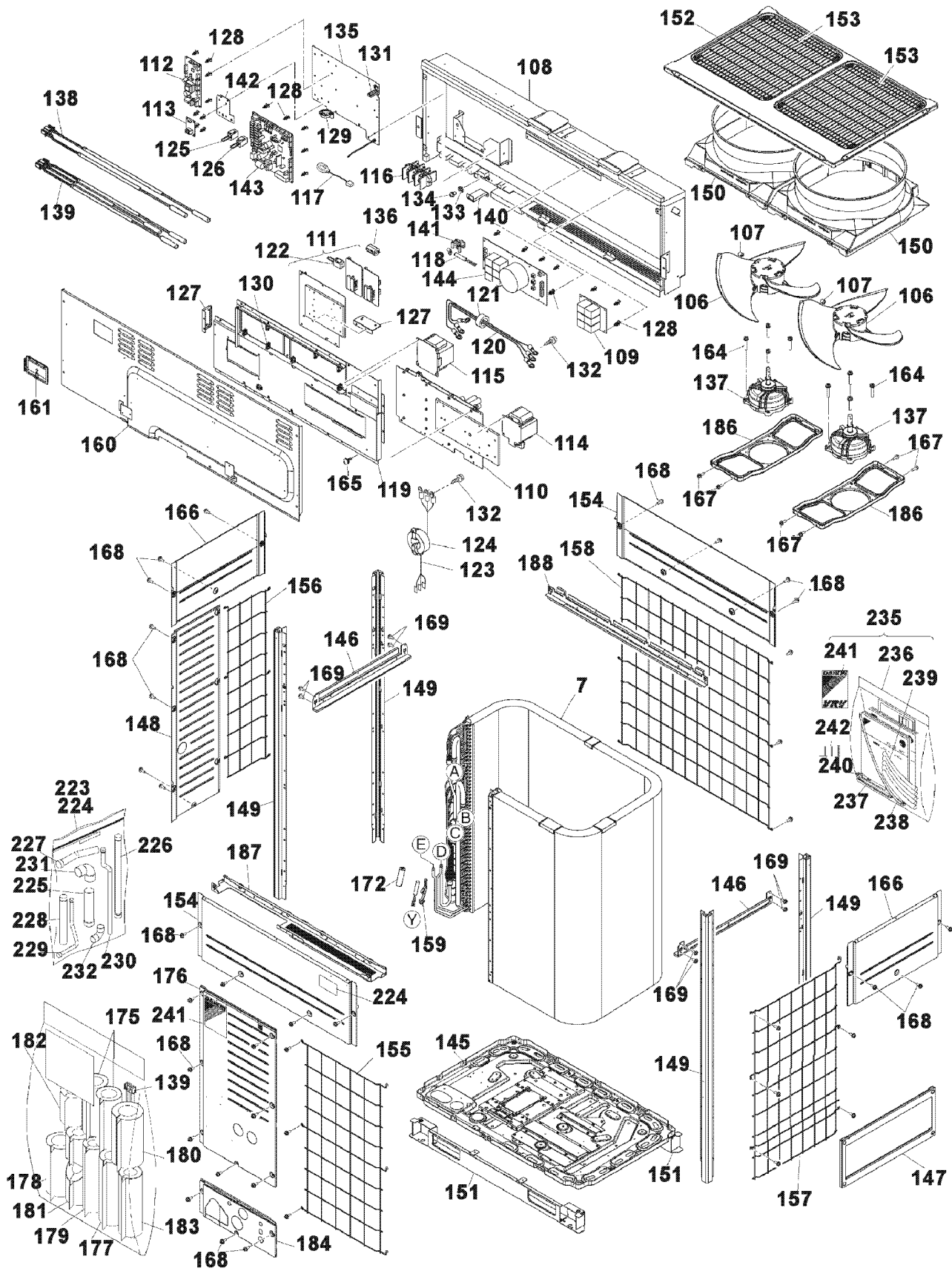
**Image 1:**

157	0423968	FITTING SPRING/ THERMISTOR (M2, M10)
160	NA	HEX. HEAD TAPPING SCREW (M2, M10)
161	4012540	HEX. BOLT (M2, M10)
168	1281530	THERMAL INSULATION (M2, M10)
169	1442900	HEAT INSULATION TUBE (M2, M10)
170	0424086	INSULATION TUBE/ REF. PIPING (M2, M10)
171	0719140	PIPE INSULATION PIPE COVER (M2, M10)
172	NA	THERMAL INSULATION TUBE (M2, M10)
173	2203672	PIPING FIXTURE (M2, M10)
175	1442900	HEAT INSULATION TUBE (M2, M10)
176	1442917	HEAT INSULATION TUBE (M2, M10)
177	2104643	PLUMMET (M2, M10)
178	2104650	PLUMMET (M2, M10)
183	NA	ACCESSORIES ASSY. (M2, M10)
184	0311135	ACCESSORIES BAG (M2, M10)
185	7009542	AUXILIARY PIPE (GAS SIDE FRONT) (M2)
185	7500090	AUXILIARY PIPE (GAS SIDE FRONT) (M10)
186	7009544	AUXILIARY PIPE (GAS SIDE BOTTOM) (M2)
186	7500091	AUXILIARY PIPE (GAS SIDE BOTTOM) (M10)
187	7500092	AUXILIARY PIPE DISCHARGE (GAS SIDE F) (M2)
187	7500093	AUXILIARY PIPE DISCHARGE (GAS SIDE F) (M10)
188	7500094	AUXILIARY PIPE DISCHARGE (GAS SIDE LOWER) (M2)
188	7500095	AUXILIARY PIPE DISCHARGE (GAS SIDE LOWER) (M10)
189	7009576	AUXILIARY PIPE (LIQUID SIDE FRONT) (M2)
189	7500096	AUXILIARY PIPE (LIQUID SIDE FRONT) (M10)
190	7009578	AUXILIARY PIPE (LIQUID SIDE BOTTOM) (M2)
190	7500097	AUXILIARY PIPE (LIQUID SIDE BOTTOM) (M10)
191	1799257	L-TYPE JOINT (M2, M10)
192	254105	ELBOW JOINT (M2, M10)
193	NA	ACCESSORY SET (LABEL) (M2, M10)
194	NA	ACCESSORIES ASSY. (M2, M10)
195	980774	TIE WRAP (M2, M10)
196	980772	CLAMP/ LEAD WIRE (M2, M10)
197	1997424	ELECTRIC INSULATION (M2, M10)
198	0568272	TIE WRAP (M2, M10)
199	NA	GREASE ASSY. (M2, M10)
200	NA	REPLACEMENT INSTRUCTIONS SHEET (M2, M10)
201	NA	GREASE (M2, M10)
202	980773	CLAMP/ LEAD WIRE (M2, M10)

**Expanded Model Nomenclature**

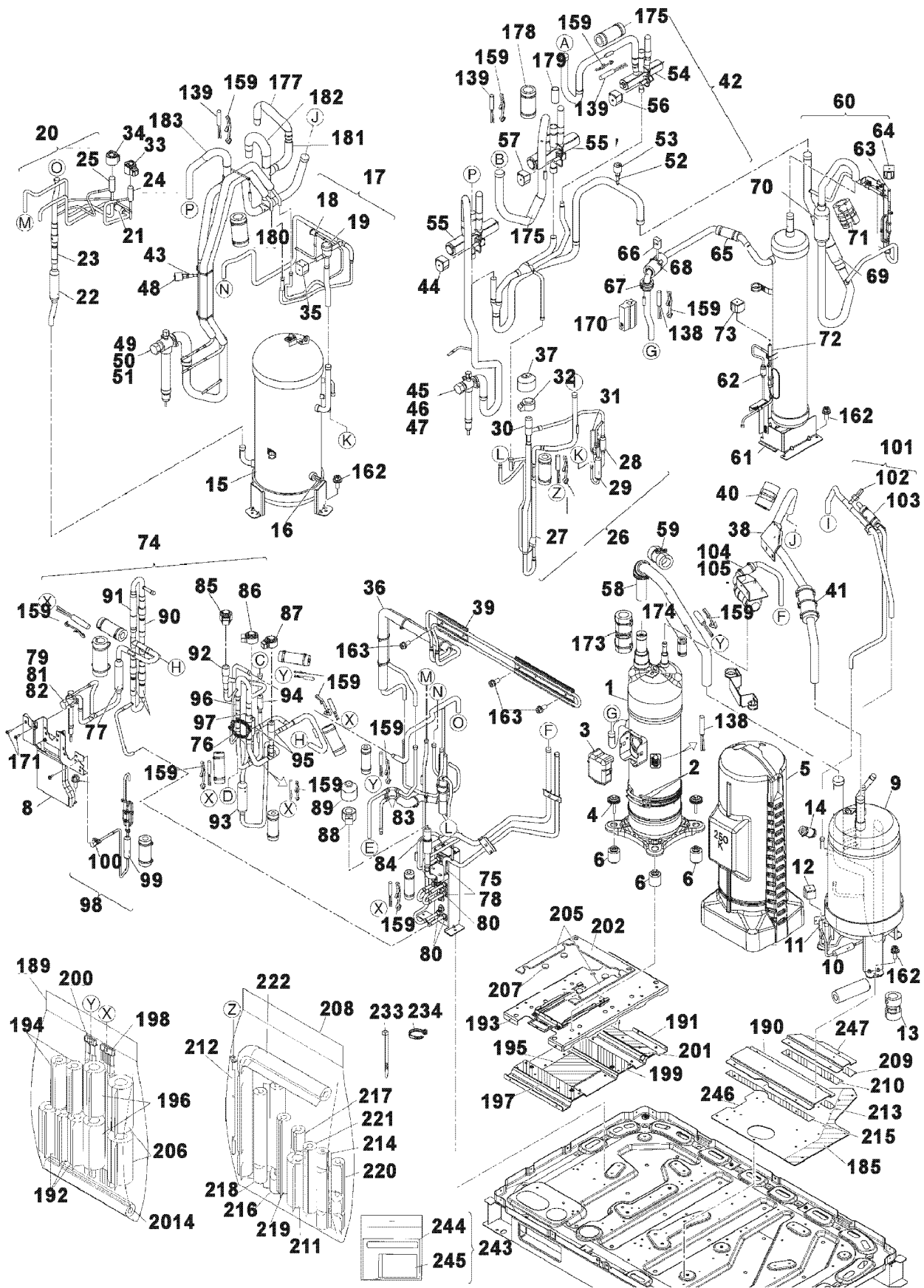
M1 - REYQ120TAYCU
M2 - REYQ120TAYDU
M3 - REYQ144TAYCU
M4 - REYQ144TAYDU
M5 - REYQ168TAYCU
M6 - REYQ168TAYDU
M7 - REYQ72TAYCU
M8 - REYQ72TAYDU
M9 - REYQ96TAYCU
M10 - REYQ96TAYDU

REYQ144TAYCU / REYQ168TAYCU



Ref. Part No: No:	Description:	Ref. Part No: No:	Description:										
<b>Image 1:</b>		<b>Image 1:</b>											
7	7009599	164	7009486										
106	7009517	165	1198397										
107	0571780	166	7009471										
108	7009631	167	0493462										
109	7009635	168	0250470										
110	7009681	169	0356556										
111	7009637	172	1442900										
112	7500014	175	0424086										
113	1716788	176	7009532										
114	7009682	177	NA										
115	7009639	178	0424055										
116	7009522	179	7500117										
117	2117168	180	NA										
118	7009640	181	7009649										
119	7009632	182	7009650										
120	7009641	183	0401913										
121	1302831	184	7009533										
122	1933413	186	7009534										
123	7009642	187	7009536										
124	1459270	188	7009537										
125	1352348	223	NA										
126	2233712	224	0311135										
127	7009525	225	7500109										
128	380401	226	7500110										
129	2010250	227	7500092										
130	0278430	228	7500094										
131	0207661	229	7009575										
132	7500045	229	7009576										
133	0665786	230	7009577										
134	0807148	230	7009578										
135	7009526	231	1442816										
136	4012628	232	254105										
137	7009643	235	NA										
138	7009683	236	NA										
139	7009645	237	980774										
140	7009529	238	980772										
141	7009527	239	1997424										
142	7500082	240	0568272										
143	7009688	241	7009692										
144	7009634	242	4010207										
145	7009530	<b>Expanded Model Nomenclature</b>											
146	7009478	<table border="1"> <tr><td>M1 - REYQ120TAYCU</td></tr> <tr><td>M2 - REYQ120TAYDU</td></tr> <tr><td>M3 - REYQ144TAYCU</td></tr> <tr><td>M4 - REYQ144TAYDU</td></tr> <tr><td>M5 - REYQ168TAYCU</td></tr> <tr><td>M6 - REYQ168TAYDU</td></tr> <tr><td>M7 - REYQ72TAYCU</td></tr> <tr><td>M8 - REYQ72TAYDU</td></tr> <tr><td>M9 - REYQ96TAYCU</td></tr> <tr><td>M10 - REYQ96TAYDU</td></tr> </table>		M1 - REYQ120TAYCU	M2 - REYQ120TAYDU	M3 - REYQ144TAYCU	M4 - REYQ144TAYDU	M5 - REYQ168TAYCU	M6 - REYQ168TAYDU	M7 - REYQ72TAYCU	M8 - REYQ72TAYDU	M9 - REYQ96TAYCU	M10 - REYQ96TAYDU
M1 - REYQ120TAYCU													
M2 - REYQ120TAYDU													
M3 - REYQ144TAYCU													
M4 - REYQ144TAYDU													
M5 - REYQ168TAYCU													
M6 - REYQ168TAYDU													
M7 - REYQ72TAYCU													
M8 - REYQ72TAYDU													
M9 - REYQ96TAYCU													
M10 - REYQ96TAYDU													
147	7009479												
148	7009480												
149	7009481												
150	7009588												
151	7009538												
152	7009539												
153	7500121												
154	7009531												
155	7009540												
157	7009647												
158	7009648												
159	0423968												
160	7500089												
161	1287778												

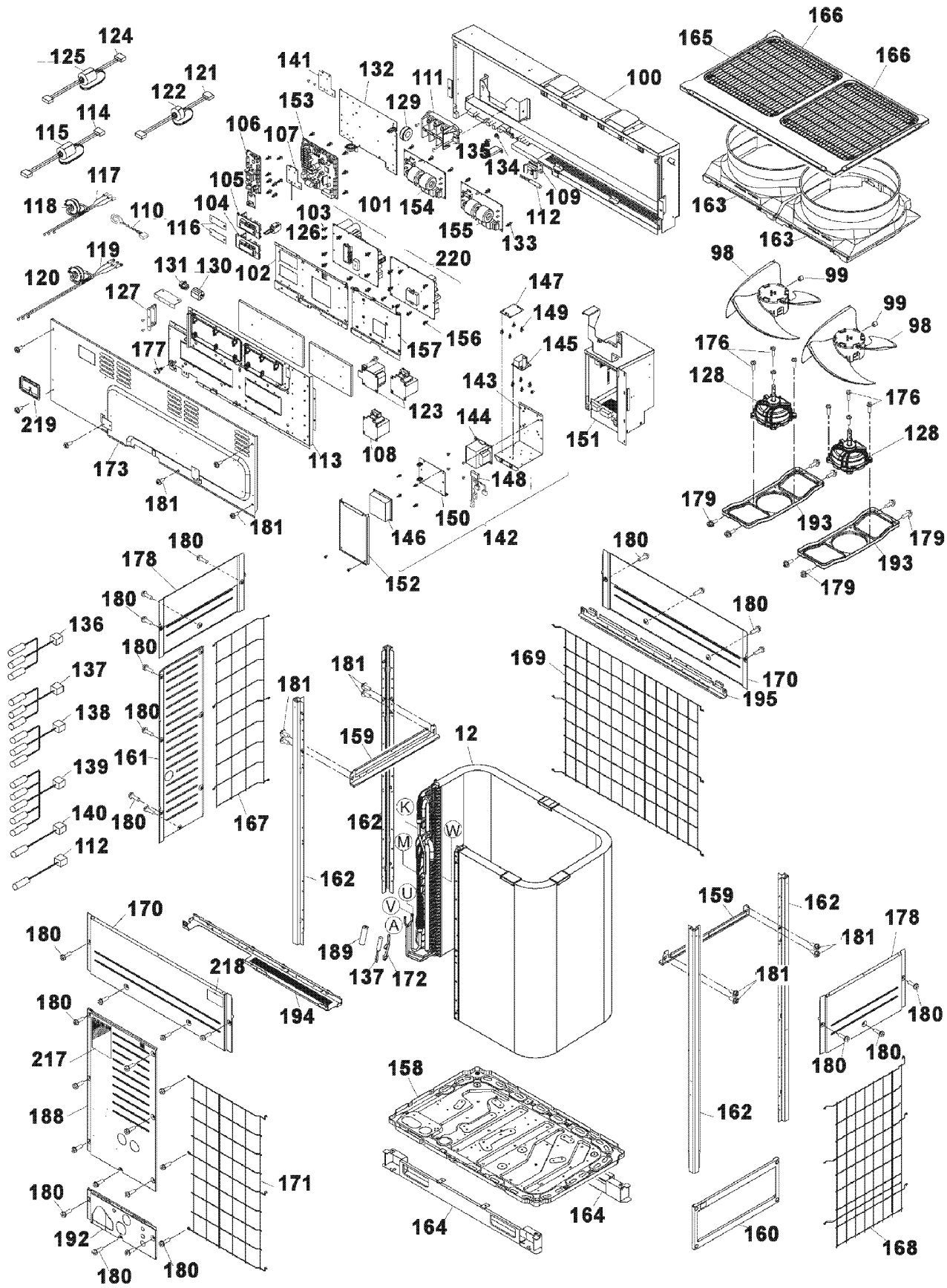
REYQ144TAYCU / REYQ168TAYCU



Ref. Part No: No:	Description:	Ref. Part No: No:	Description:	
<b>Image 1:</b>		<b>Image 1:</b>		
1	7009663	50	2103448	STOP VALVE (M3, M5)
2	7009598	51	2116831	VALVE CAP (M3, M5)
3	7009594	52	1295041	GAUGE JOINT WITH CHECK VALVE (M3, M5)
4	6026533	53	7009604	HIGH PRESSURE SENSOR (M3, M5)
5	2279686	54	2119861	BODY/ FOUR WAY VALVE (HEAT EXC. UPPER) (M3, M5)
6	6026557			
8	7500035	55	6019596	BODY/ FOUR WAY VALVE (M3, M5)
9	7009679	56	7500059	COIL/ FOUR WAY VALVE (HEAT EXC. UPPER) (M3, M5)
10	232005			
11	2165972	57	7500060	COIL/ FOUR WAY VALVE (HEAT EXC. LOWER) (M3, M5)
12	7009622	58	7009671	SUCTION PIPE ASSY. (M3, M5)
		59	2312879	WEIGHT (M3, M5)
13	2279484	60	7009672	DISCHARGE PIPE ASSY. (M3, M5)
14	7009680	61	7009673	OIL SEPARATOR ASSY. (M3, M5)
15	7009623	62	4012537	FILTER (M3, M5)
16	7009455	63	2165972	BODY/ SOLENOID VALVE (HOT GAS BYPASS) (M3, M5)
17	7009624			
18	7009625	64	7500070	COIL/ SOLENOID VALVE (HOT GAS BYPASS) (M3, M5)
19	1476578			
		65	2009065	PLUMMET (M3, M5)
20	7009701	66	7009608	HIGH PRESSURE SWITCH (M3, M5)
21	2113337	67	6026576	WEIGHT (M3, M5)
22	0120005	68	2317139	WEIGHT (M3, M5)
23	1086083	69	6026560	CHECK VALVE (M3, M5)
24	2233628	70	1599712	REFRIGERANT FILTER (M3, M5)
		71	2279484	WEIGHT (M3, M5)
25	2204606	72	2165965	BODY/ SOLENOID VALVE (OS OIL RETURN 1) (M3, M5)
26	7009627	73	7500071	COIL/ SOLENOID VALVE (OS OIL RETURN 1) (M3, M5)
27	7500077			
28	2113344	74	7009674	LIQUID PIPE ASSY. (M3, M5)
29	232005	75	7009675	PLATE HEAT EXCHANGER ASSY. (M3, M5)
30	1996469	76	1821433	CAPILLARY TUBE (M3, M5)
		77	232022	REFRIGERANT FILTER (M3, M5)
31	7500078	78	2305446	PLATE HEAT EXCHANGER (M3, M5)
32	7009628	79	6019692	STOP VALVE ASSY. (LIQUID) (M3, M5)
		80	NA	REFRIGERANT PIPE (1) (M3, M5)
33	7009629	81	2103455	STOP VALVE (M3, M5)
		82	1435849	CAP/ STOP VALVE (M3, M5)
34	7009630	83	1505111	PIPE CLAMP PLATE (M3, M5)
		84	1801415	BODY/ ELECTRONIC EXP. VALVE (INJECTION) (M3, M5)
35	7500080	85	7009611	COIL/ ELECTRONIC EXP. VALVE (HEAT DETECTION) (M3, M5)
36	7009600			
37	0650304	86	7009612	COIL/ ELECTRONIC EXP. VALVE (HEAT EXC. UPPER) (M3, M5)
38	NA			
39	7009601	87	7009613	COIL/ ELECTRONIC EXP. VALVE (HEAT EXC. LOWER) (M3, M5)
40	2279484			
41	7009678	88	7009614	COIL/ ELECTRONIC EXP. VALVE (INJECTION) (M3, M5)
42	7009670			
43	1295041	89	7009700	WATER PROOF CAP (M3, M5)
44	7500061	90	1086083	CHECK VALVE (M3, M5)
45	6019595	91	1599729	CHECK VALVE (M3, M5)
46	2114424	92	1996469	BODY/ ELECTRONIC EXP. VALVE (LEAK DETECTION) (M3, M5)
47	2116831			
48	7009603	93	232022	REFRIGERANT FILTER (M3, M5)
49	6019763	94	2113344	FILTER (FOR REF.) (M3, M5)

Ref. Part No: No:	Description:	Ref. Part No: No:	Description:										
<b>Image 1:</b>		<b>Image 1:</b>											
95	1996469 BODY/ ELECTRONIC EXP. VALVE (HEAT EXC.) (M3, M5)	216	7009655 THERMAL INSULATION TUBE (2) (M3, M5)										
96	1076389 CHECK VALVE (M3, M5)	217	7009656 THERMAL INSULATION TUBE (3) (M3, M5)										
97	1086083 CHECK VALVE (M3, M5)	218	7009657 THERMAL INSULATION TUBE (4) (M3, M5)										
98	7009615 REFRIGERANT PIPE ASSY. (M3, M5)	219	7009658 THERMAL INSULATION TUBE (9) (M3, M5)										
99	232005 REFRIGERANT FILTER (M3, M5)	220	7009659 THERMAL INSULATION TUBE (6) (M3, M5)										
100	7009616 SERVICE PORT ASSY. (M3, M5)	221	7009660 THERMAL INSULATION TUBE (7) (M3, M5)										
101	7009676 REFRIGERANT PIPE ASSY. (M3, M5)	222	7009661 THERMAL INSULATION TUBE (8) (M3, M5)										
102	7009455 FUSIBLE PLUG ASSY. (M3, M5)	233	980773 CLAMP/ LEAD WIRE (M3, M5)										
103	6026532 WEIGHT (M3, M5)	234	1278921 TIE WRAP (M3, M5)										
104	7009677 MUFFLER ASSY. (M3, M5)	243	NA GREASE ASSY. (M3, M5)										
105	7009620 WEIGHT (M3, M5)	244	NA REPLACEMENT INSTRUCTIONS SHEET (M3, M5)										
138	7009683 THERMISTOR ASSY. (M3, M5)	245	NA GREASE (M3, M5)										
139	7009645 THERMISTOR ASSY. (M3, M5)	246	7009704 MOUNTING PLATE (ACCUMULATOR) (M3, M5)										
156	7009646 PROTECTION NET (LEFT) (M3, M5)	247	NA MOUNTING PLATE (1) (M3, M5)										
159	0423968 FITTING SPRING/ THERMISTOR (M3, M5)	<b>Expanded Model Nomenclature</b>											
162	NA HEX. HEAD TAPPING SCREW (M3, M5)	<table border="1"> <tr><td>M1 - REYQ120TAYCU</td></tr> <tr><td>M2 - REYQ120TAYDU</td></tr> <tr><td>M3 - REYQ144TAYCU</td></tr> <tr><td>M4 - REYQ144TAYDU</td></tr> <tr><td>M5 - REYQ168TAYCU</td></tr> <tr><td>M6 - REYQ168TAYDU</td></tr> <tr><td>M7 - REYQ72TAYCU</td></tr> <tr><td>M8 - REYQ72TAYDU</td></tr> <tr><td>M9 - REYQ96TAYCU</td></tr> <tr><td>M10 - REYQ96TAYDU</td></tr> </table>		M1 - REYQ120TAYCU	M2 - REYQ120TAYDU	M3 - REYQ144TAYCU	M4 - REYQ144TAYDU	M5 - REYQ168TAYCU	M6 - REYQ168TAYDU	M7 - REYQ72TAYCU	M8 - REYQ72TAYDU	M9 - REYQ96TAYCU	M10 - REYQ96TAYDU
M1 - REYQ120TAYCU													
M2 - REYQ120TAYDU													
M3 - REYQ144TAYCU													
M4 - REYQ144TAYDU													
M5 - REYQ168TAYCU													
M6 - REYQ168TAYDU													
M7 - REYQ72TAYCU													
M8 - REYQ72TAYDU													
M9 - REYQ96TAYCU													
M10 - REYQ96TAYDU													
163	4012540 HEX. BOLT (M3, M5)												
170	1287785 THERMAL INSULATION (SUCTION) (M3, M5)												
171	0356549 HEX. SOCKET SCREW (M3, M5)												
173	7009684 WEIGHT (M3, M5)												
174	7009680 WEIGHT ASSY. (M3, M5)												
175	0424086 INSULATION TUBE/ REF. PIPING (M3, M5)												
177	NA PIPE INSULATION (M3, M5)												
178	0424055 HEAT INSULATION COVER (M3, M5)												
179	7500117 THERMAL INSULATION TUBE (3) (M3, M5)												
180	NA THERMAL INSULATION TUBE (M3, M5)												
181	7009649 THERMAL INSULATION TUBE (2) (M3, M5)												
182	7009650 THERMAL INSULATION TUBE (M3, M5)												
183	0401913 HEAT INSULATION TUBE (M3, M5)												
185	7009707 CUSHION RUBBER (M3, M5)												
189	7009651 ACCESSORY SET (3) (M3, M5)												
190	NA MOUNTING PLATE (2) (M3, M5)												
191	NA COMPRESSOR MOUNTING PLATE (LOWER) (M3, M5)												
192	1442900 HEAT INSULATION TUBE (M3, M5)												
193	NA COMPRESSOR MOUNTING PLATE (UPPER) (M3, M5)												
194	1657632 THERMAL INSULATION TUBE (M3, M5)												
195	NA THERMAL INSULATION TAPE (M3, M5)												
196	1442917 HEAT INSULATION TUBE (M3, M5)												
197	NA SEALING MATERIAL (1) (M3, M5)												
198	7009652 THERMISTOR ASSY. (M3, M5)												
199	NA SEALING MATERIAL (2) (M3, M5)												
200	7009653 THERMISTOR ASSY. (M3, M5)												
201	NA SEALING MATERIAL (3) (M3, M5)												
202	NA SEALING MATERIAL (M3, M5)												
204	7009702 HEAT INSULATION TUBE (M3, M5)												
205	NA SEALING MATERIAL (M3, M5)												
206	7009703 HEAT INSULATION TUBE (M3, M5)												
207	NA SEALING MATERIAL (M3, M5)												
208	NA ACCESSORY SET (4) (RV) (M3, M5)												
209	NA CUSHION RUBBER (1) (M3, M5)												
210	NA CUSHION RUBBER (2) (M3, M5)												
211	1442917 HEAT INSULATION TUBE (M3, M5)												
212	7009662 THERMISTOR (M3, M5)												
213	NA CUSHION RUBBER (3) (M3, M5)												
214	7009654 THERMAL INSULATION TUBE (1) (M3, M5)												
215	NA CUSHION RUBBER (4) (M3, M5)												

REYQ144TAYDU / REYQ168TAYDU

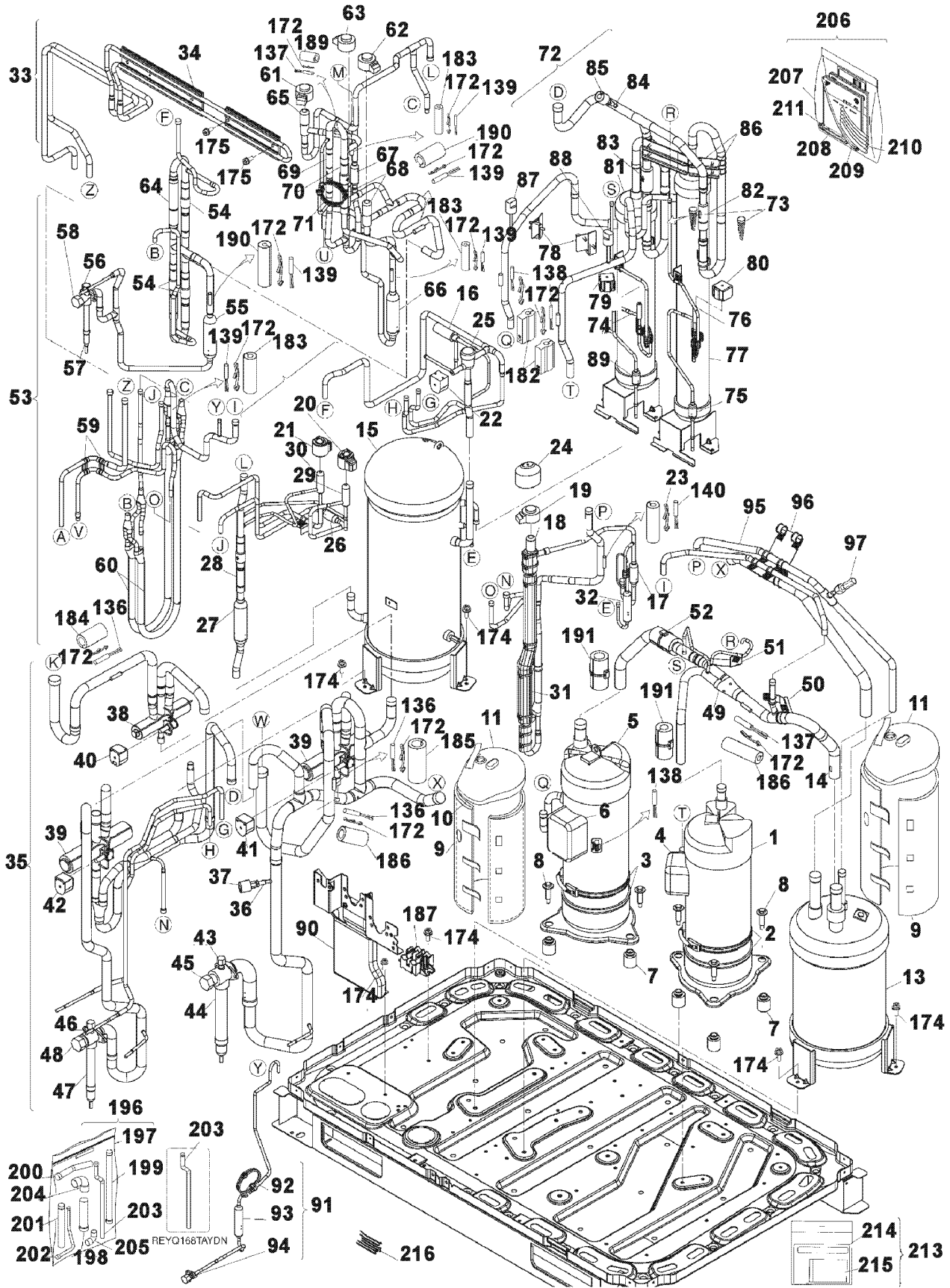


Ref. Part No: No:	Description:	Ref. Part No: No:	Description:
<b>Image 1:</b>		<b>Image 1:</b>	
12	7009599	148	7500018
98	7009517	149	380401
99	0571780	150	7500115
100	7009549	151	7500123
101	7009552	152	7500116
102	7009553	153	7500004
103	380401	154	7009551
104	7500013		
105	7500012	155	4012544
106	7500014		
107	1716788	156	4012546
108	1679308	157	7009580
109	7009527	158	7009574
110	2117168	159	7009478
111	7009522	160	7009479
112	1782095	161	7009480
113	7009524	162	7009481
		163	7009588
114	4012626	164	7009538
115	1420289	165	7009539
116	5009817	166	7500121
117	7009557	167	7009646
118	0645270	168	7009647
119	7009583	169	7009648
120	0645270	170	7009531
121	7500119	171	7009540
122	1302831	172	0423968
123	4012583	173	7500089
124	4012625	176	7009486
125	1420289	177	1198397
126	2233712	178	7009471
127	7009525	179	7009493
128	4012442	180	0250470
129	4012627	181	0356556
130	2031550	188	7009532
131	4012628	189	1442900
132	7009526	192	7009533
133	380401	193	7009534
134	0665786	194	7009536
135	0807148	195	7009537
136	7500085	217	7009692
		218	4010207
137	7500086	219	1287778
138	6019786	220	2348025
139	7500087		
140	7500088		
141	7500082		
142	NA		
143	7500114		
144	7009503		
145	7009554		
146	7500016		
147	7009556		

**Expanded Model Nomenclature**

M1 - REYQ120TAYCU
M2 - REYQ120TAYDU
M3 - REYQ144TAYCU
M4 - REYQ144TAYDU
M5 - REYQ168TAYCU
M6 - REYQ168TAYDU
M7 - REYQ72TAYCU
M8 - REYQ72TAYDU
M9 - REYQ96TAYCU
M10 - REYQ96TAYDU

REYQ144TAYDU / REYQ168TAYDU



Ref. Part No: No:	Description:	Ref. Part No: No:	Description:	
<i>Image 1:</i>		<i>Image 1:</i>		
1	7009494	48	2116831	VALVE CAP (M4, M6)
2	6019593	49	7500101	SUCTION PIPE ASSY. (M4, M6)
3	6019690	50	7500063	MOUNTING PLATE ASSY. (M4, M6)
4	1874305	51	7500102	MOUNTING PLATE ASSY. (M4, M6)
5	7009548	52	2104643	PLUMMET (M4, M6)
6	1874305	53	7500065	LIQUID PIPE ASSY. (M4, M6)
7	1278109	54	1086083	CHECK VALVE (M4, M6)
8	1625318	55	232022	REFRIGERANT FILTER (M4, M6)
9	6019660	56	6019692	STOP VALVE ASSY. (LIQUID) (M4, M6)
10	6019661	57	2103455	STOP VALVE (M4, M6)
11	2133355	58	1435849	CAP/ STOP VALVE (M4, M6)
13	7009694	59	1505111	PIPE CLAMP PLATE (M4, M6)
14	7500075	60	7500028	DOUBLE TUBE HEAT EXCH. ASSY. (M4, M6)
15	7500105	61	7500066	COIL/ ELECTRONIC EXP. VALVE (LEAK DETECTION) (M4, M6)
16	1991750			
17	232005	62	7500030	COIL/ ELECTRONIC EXP. VALVE (HEAT EXC. LOWER) (M4, M6)
18	1996469	63	7500031	COIL/ ELECTRONIC EXP. VALVE (HEAT EXC. UPPER) (M4, M6)
19	7500043	64	1599729	CHECK VALVE (M4, M6)
20	7500079	65	1996469	BODY/ ELECTRONIC EXP. VALVE (LEAK DETECTION) (M4, M6)
21	7009565	66	232022	REFRIGERANT FILTER (M4, M6)
22	7500080	67	2113344	FILTER (FOR REF.) (M4, M6)
23	0423968	68	1996469	BODY/ ELECTRONIC EXP. VALVE (HEAT EXC.) (M4, M6)
24	0650304	69	1076389	CHECK VALVE (M4, M6)
25	1476578	70	1086083	CHECK VALVE (M4, M6)
26	2113337	71	1821433	CAPILLARY TUBE (M4, M6)
27	0120005	72	7500103	DISCHARGE PIPE ASSY. (M4, M6)
28	1086083	73	2096331	REFRIGERANT STRAINER (M4, M6)
29	2233628	74	2165965	BODY/ SOLENOID VALVE (OS OIL RETURN 2) (M4, M6)
30	2204606	75	4012537	FILTER (M4, M6)
31	7500077	76	2165965	BODY/ SOLENOID VALVE (OS OIL RETURN 1) (M4, M6)
32	2113344	77	7009450	OIL SEPARATOR ASSY. (M4, M6)
33	7009560	78	2113382	FIXTURE (M4, M6)
34	7009561	79	7500070	COIL/ SOLENOID VALVE (OS OIL RETURN 2) (M4, M6)
35	7500100	80	7500071	COIL/ SOLENOID VALVE (OS OIL RETURN 1) (M4, M6)
36	1944437	81	7009514	OIL SEPARATOR ASSY. (M4, M6)
37	2226992	82	2103486	CHECK VALVE (M4, M6)
38	2119861	83	2103479	CHECK VALVE (M4, M6)
39	6019596	84	1944437	GAUGE JOINT WITH CHECK VALVE (M4, M6)
40	7500059	85	2227003	HIGH PRESSURE SENSOR (M4, M6)
41	7500060	86	7500104	MOUNTING PLATE ASSY. (M4, M6)
42	7500061	87	7009449	HIGH PRESSURE SWITCH (M4, M6)
43	6019763	88	7009449	HIGH PRESSURE SWITCH (M4, M6)
44	2103448	89	4012537	FILTER (M4, M6)
45	2116831	90	7500035	STOP VALVE MOUNTING PLATE (M4, M6)
46	6019595	91	7500072	REFRIGERANT PIPE ASSY. (M4, M6)
47	2114424	92	1657579	CAPILLARY TUBE (M4, M6)
		93	232005	REFRIGERANT FILTER (M4, M6)
		94	7500073	SERVICE PORT ASSY. (M4, M6)
		95	NA	REFRIGERANT PIPE ASSY. (9) (M4, M6)
		96	NA	MOUNTING PLATE (M4, M6)

Ref. Part No:	Part No:	Description:	Ref. Part No:	Part No:	Description:
<b>Image 1:</b>					
97	7009455	FUSIBLE PLUG ASSY. (M4, M6)			
136	7500085	THERMISTOR ASSY. (SUCTION)(HEAT EXC. GAS U/L) (M4, M6)			
137	7500086	THERMISTOR ASSY. (M4, M6)			
138	6019786	THERMISTOR ASSY. (M2C BODY)(DISCHARGE) (M4, M6)			
139	7500087	THERMISTOR ASSY. (M4, M6)			
140	7500088	THERMISTOR (RECEIVER GAS PURGE) (M4, M6)			
172	0423968	FITTING SPRING/ THERMISTOR (M4, M6)			
174	NA	HEX. HEAD TAPPING SCREW (M4, M6)			
175	4012540	HEX. BOLT (M4, M6)			
182	1281530	THERMAL INSULATION (M4, M6)			
183	1442900	HEAT INSULATION TUBE (M4, M6)			
184	0424086	INSULATION TUBE/ REF. PIPING (M4, M6)			
185	0719140	PIPE INSULATION PIPE COVER (M4, M6)			
186	NA	THERMAL INSULATION TUBE (M4, M6)			
187	2203672	PIPING FIXTURE (M4, M6)			
189	1442900	HEAT INSULATION TUBE (M4, M6)			
190	1442917	HEAT INSULATION TUBE (M4, M6)			
191	2104643	PLUMMET (M4, M6)			
196	NA	ACCESSORIES ASSY. (M4, M6)			
197	0311135	ACCESSORIES BAG (M4, M6)			
198	7500109	AUXILIARY PIPE (GAS SIDE FRONT) (M4, M6)			
199	7500110	AUXILIARY PIPE (GAS SIDE BOTTOM) (M4, M6)			
200	7500092	AUXILIARY PIPE DISCHARGE (GAS SIDE F) (M4, M6)			
201	7500094	AUXILIARY PIPE DISCHARGE (GAS SIDE LOWER) (M4, M6)			
202	7009575	AUXILIARY PIPE (LIQUID SIDE FRONT) (M6)			
202	7009576	AUXILIARY PIPE (LIQUID SIDE FRONT) (M4)			
203	7009577	AUXILIARY PIPE (LIQUID SIDE BOTTOM) (M6)			
203	7009578	AUXILIARY PIPE (LIQUID SIDE BOTTOM) (M4)			
204	1442816	ELBOW JOINT (M4, M6)			
205	254105	ELBOW JOINT (M4, M6)			
206	NA	ACCESSORY SET (LABEL) (M4, M6)			
207	NA	ACCESSORIES ASSY. (M4, M6)			
208	980774	TIE WRAP (M4, M6)			
209	980772	CLAMP/ LEAD WIRE (M4, M6)			
210	1997424	ELECTRIC INSULATION (M4, M6)			
211	0568272	TIE WRAP (M4, M6)			
213	NA	GREASE ASSY. (M4, M6)			
214	NA	REPLACEMENT INSTRUCTIONS SHEET (M4, M6)			
215	NA	GREASE (M4, M6)			
216	980773	CLAMP/ LEAD WIRE (M4, M6)			

**Expanded Model Nomenclature**

M1 - REYQ120TAYCU
M2 - REYQ120TAYDU
M3 - REYQ144TAYCU
M4 - REYQ144TAYDU
M5 - REYQ168TAYCU
M6 - REYQ168TAYDU
M7 - REYQ72TAYCU
M8 - REYQ72TAYDU
M9 - REYQ96TAYCU
M10 - REYQ96TAYDU