

## FXUQ\*\* Indoor 4-Way Blow Ceiling Suspended Indoor Unit

FXUQ18PVJU  
FXUQ24PVJU  
FXUQ30PVJU  
FXUQ36PVJU



This manual is to be used by qualified technicians only.

© 2016 **DAIKIN MANUFACTURING COMPANY, L.P.** ♦ 5151 San Felipe St., Suite 500 ♦ Houston, TX 77056

# Important Information

---

## Index

Functional Parts List .....	3
Illustration and Parts .....	4 - 5

*Views shown are for parts illustrations only, not servicing procedures*

### Text Codes:

AR - As Required

NA - Not Available

NS - Not Shown

00000000 - See Note

QTY - Quantity Example (QTY 3) (If Quantity not shown, Quantity = 1)

M - Model Example (M1) (If M Code not shown, then part is used on all Models)

### Expanded Model Nomenclature:

Example M1 - Model#1 M2 - Model#2 M3 - Model#3
---

Daikin Manufacturing Company, L.P. is not responsible for personal injury or property damage resulting from improper service. Review all service information before beginning repairs.

Warranty service must be performed by an authorized technician, using authorized factory parts. If service is required after the warranty expires, Daikin Manufacturing Company, L.P. also recommends contacting an authorized technician and using authorized factory parts.

Daikin Manufacturing Company, L.P. reserves the right to discontinue, or change at any time, specifications or designs without notice or without incurring obligations.

For assistance within the U.S.A. contact:

Consumer Affairs Department

Daikin North America, LLC

7401 Security Way

Houston, Texas 77040

855-770-5678-Telephone

713-863-2382-Facsimile

For assistance outside the U.S.A. contact:

International Division

Daikin North America, LLC

7401 Security Way

Houston, Texas 77040

713-861-2500-Telephone

713-863-2382-Facsimile

# Functional Parts

## Part

## No: Description:

---

2110756	DC FAN MOTOR (M3, M4)
2110749	DC FAN MOTOR (M1, M2)
2110662	DRAIN PUMP
2065438	FLOAT SWITCH
1797446	STEPPING MOTOR (QTY 2)
1797446	STEPPING MOTOR (QTY 2)
2110732	THERMISTOR (AIR)
168684J	THERMISTOR (COIL)

### Expanded Model Nomenclature

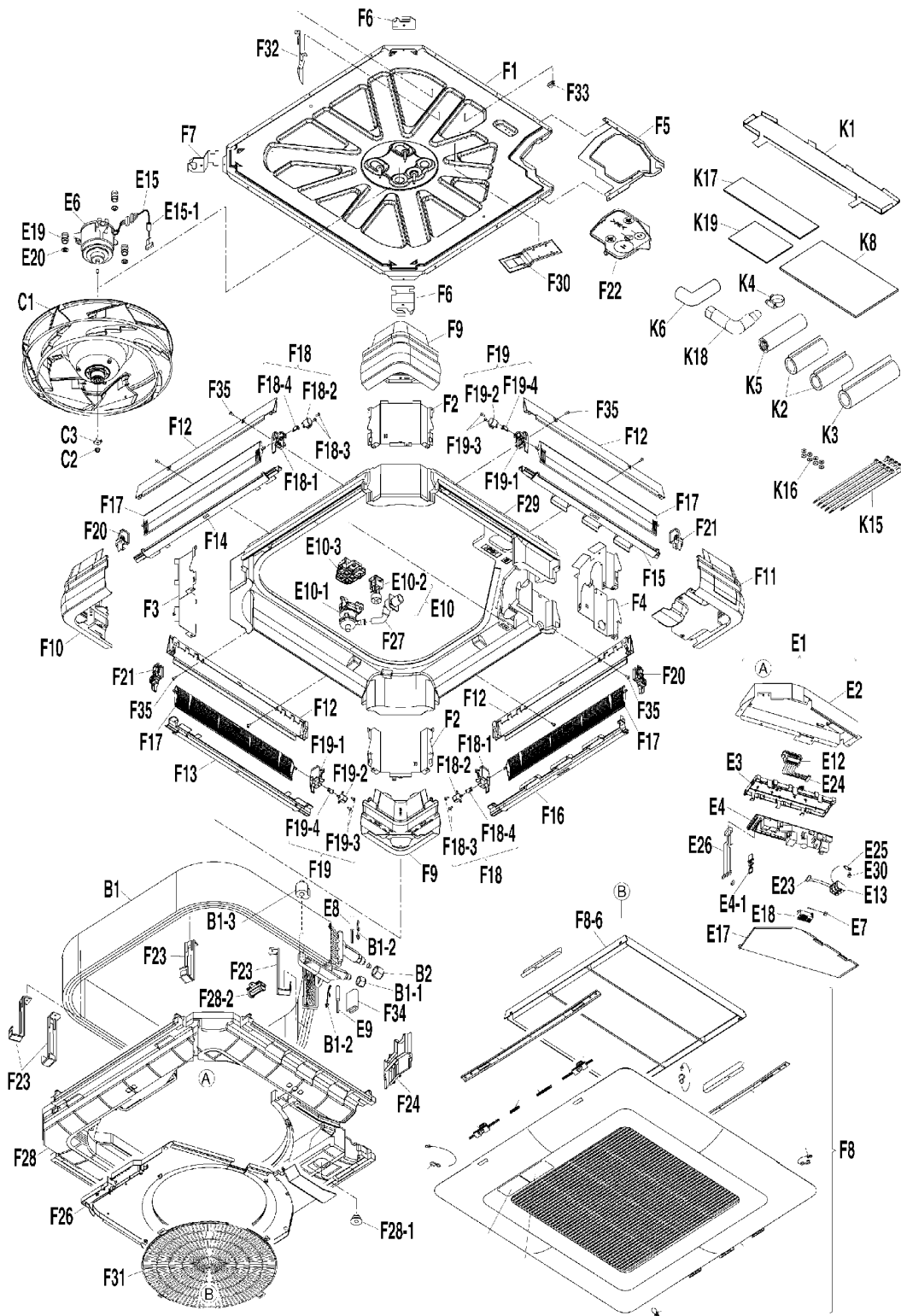
M1 - FXUQ18PVJU
M2 - FXUQ24PVJU
M3 - FXUQ30PVJU
M4 - FXUQ36PVJU

Ref. Part No: No:	Description:	Ref. Part No: No:	Description:
<b>Image 1:</b>		<b>Image 1:</b>	
1	2110763	53	2127576
	EVAPORATOR ASSY. (M3, M4)		SHAFT COUPLING (MOTOR SIDE) (QTY 2)
1	2110770	54	2127033
	EVAPORATOR ASSY. (M2)		SIDE PLATE (1) (QTY 2)
1	2273936	55	2127583
	EVAPORATOR ASSY. (M1)		BEARING ASSY. (1) (QTY 2)
2	119848J	56	2127615
	FLARE NUT (M2, M3, M4)		BEARING ASSY. (2) (QTY 2)
2	1723546	57	2127514
	FLARE NUT (M1)		COVER/ PIPING
3	042396J	58	2128081
	FITTING SPRING/ THERMISTOR (QTY 2)		PLATE FINNED COIL MOUNTING PLATE (QTY 4)
4	2137364	59	2127552
	COIL/ ELECTRONIC EXP. VALVE ASSY.		HOLD PLATE ASSY.
5	119849J	60	2127622
	FLARE NUT		BELL MOUTH
6	2110787	61	2127639
	TURBO FAN ROTOR		DRAIN HOSE ASSY.
7	2126922	62	2110600
	LOCK WASHER		DRAIN PAN ASSY.
8	066216J	63	2013576
	LOCK WASHER		DRAIN SOCKET CAP
9	NA	64	1985421
	ELECTRIC COMPONENTS ASSY.		ANTI-BACTERIAL AGENTS ASSY.
10	NA	65	2128106
	DRAIN PUMP ASSY.		THERMAL INSULATION
11	2110662	66	2127040
	DRAIN PUMP		SIDE PLATE (1)
12	2065438	67	2127691
	FLOAT SWITCH		HOLD PLATE (WIRE)
13	2126977	68	2127716
	DRAIN PUMP MOUNTING STAND		PROTECTION NET ASSY.
14	137995J	69	2127709
	TERMINAL BLOCK		AIR DEFLECTION PLATE ASSY.
15	2273967	70	044449J
	TERMINAL BLOCK		LATCH
16	2110693	71	2161730
	WIRE HARNESS ASSY. (FAN MOTOR)		SEALING MATERIAL
17	1701445	72	112817J
	FERRITE CORE		TRUSS HEAD TAPPING SCREW (QTY 8)
18	2126953	73	2127057
	COVER/ SWITCH BOX		SIDE PLATE
19	2126960	74	2127002
	CASE (THERMISTOR)		HOOK METAL (PIPE)
20	053203J	75	2127019
	CUSHION RUBBER/ FAN MOTOR (QTY 3)		HOOK METAL (1) (QTY 2)
21	2126939	76	2126984
	SWITCH BOX ASSY.		HOOK METAL (2)
22	054199J	77	2171744
	FLANGE NUT (QTY 3)		SUCTION GRILLE ASSY.
23	2110679	78	NA
	WIRE HARNESS (POWER SUPPLY)		AIR FILTER ASSY.
24	2110686	79	2127398
	WIRE HARNESS ASSY. (REMOTE CONTROLLER)		CORNER COVER ASSY. (1) (QTY 2)
25	2026154	80	NA
	EARTH WIRE		PATCH PLATE ASSY.
26	2110701	81	980773J
	WIRE HARNESS (SWING MOTOR)		CLAMP/ LEAD WIRE (QTY 10)
27	2273943	82	094152J
	CASE ASSY. (2)		PLAIN WASHER (FOR WOOD) (QTY 8)
28	099784J	83	170323J
	TAPPING SCREW (QTY 2)		SEALING MATERIAL (QTY 3)
29	2273950	84	2131203
	PRINTED CIRCUIT ASSY.		AUXILIARY PIPE ASSY. (M2, M3, M4)
30	064060J	84	2137100
	CAPACITY SETTING ADAPTOR (M1)		AUXILIARY PIPE ASSY. (M1)
30	065336J	85	2137117
	CAPACITY SETTING ADAPTOR (M2)		ANTISWEAT MATERIAL
30	065337J	86	2127646
	CAPACITY SETTING ADAPTOR (M4)		INSULATION TUBE (QTY 2)
30	066965J	87	055045J
	CAPACITY SETTING ADAPTOR (M3)		INSULATION TUBE/ LIQUID LINE
31	2110749	88	537320J
	DC FAN MOTOR (M1, M2)		HOSE BAND
31	2110756	89	537317J
	DC FAN MOTOR (M3, M4)		DRAIN HOSE
32	2110732	90	094707J
	THERMISTOR (AIR)		DRAIN JOINT
33	1992986	91	032284J
	THERMISTOR ASSY. (COIL)		SEALER/ DRAIN HOSE
34	168684J		
	THERMISTOR (COIL)		
35	2127026		
	TOP PLATE		
36	2127374		
	CORNER COVER ASSY. (2)		
37	2127350		
	CORNER COVER ASSY. (PIPE)		
38	2127413		
	AIR OUTLET FRINGE (QTY 4)		
39	2127437		
	AIR OUTLET FRINGE ASSY.		
40	2127451		
	AIR OUTLET FRINGE ASSY.		
41	2127475		
	AIR OUTLET FRINGE ASSY.		
42	2127499		
	AIR OUTLET FRINGE ASSY.		
43	2130743		
	DISCH. GRILLE HOR. BLADE ASSY. (QTY 4)		
44	NA		
	BEARING ASSY. (MOTOR SIDE) (QTY 2)		
45	2127608		
	BEARING ASSY. (1) (QTY 2)		
46	1797446		
	STEPPING MOTOR (QTY 2)		
47	106152J		
	TAPPING SCREW (QTY 4)		
48	2127576		
	SHAFT COUPLING (MOTOR SIDE) (QTY 2)		
49	NA		
	BEARING ASSY. (MOTOR SIDE) (QTY 2)		
50	2127590		
	BEARING ASSY. (1) (QTY 2)		
51	1797446		
	STEPPING MOTOR (QTY 2)		
52	106152J		
	TAPPING SCREW (QTY 4)		

**Expanded Model Nomenclature**

M1 - FXUQ18PVJU
M2 - FXUQ24PVJU
M3 - FXUQ30PVJU
M4 - FXUQ36PVJU

FXUQ18PVJU / FXUQ24PVJU / FXUQ30PVJU / FXUQ36PVJU



Ref #	Picture #
1	B1
2	B1-1
3	B1-2
4	B1-3
5	B2
6	C1
7	C2
8	C3
9	E1
10	E10
11	E10-1
12	E10-2
13	E10-3
14	E12
15	E13
16	E15
17	E15-1
18	E17
19	E18
20	E19
21	E2
22	E20
23	E23
24	E24
25	E25
26	E26
27	E3
28	E30
29	F4
30	F4-1
31	F6
32	F7
33	F8
34	F9
35	F1
36	F10
37	F11
38	F12
39	F13
40	F14
41	F15
42	F16
43	F17
44	F18
45	F18-1
46	F18-2
47	F18-3
48	F18-4
49	F19
50	F19-1
51	F19-2
52	F19-3
53	F19-4
54	F2
55	F20
56	F21
57	F22
58	F23
59	F24
60	F26
61	F27
62	F28
63	F28-1
64	F28-2
65	F29
66	F3
67	F30
68	F31
69	F32
70	F33
71	F34
72	F35
73	F4
74	F5
75	F6
76	F7
77	F8
78	F8-6
79	F9
80	K1
81	K15
82	K16
83	K17
84	K18
85	K19
86	K2
87	K3
88	K4
89	K5
90	K6
91	K8