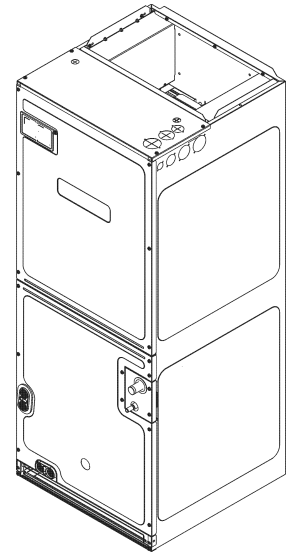


**FXTQ\*\*TAVJU\* Air Handler**

FXTQ09TAVJUAAB  
FXTQ09TAVJUDAB  
FXTQ12TAVJUAAB  
FXTQ12TAVJUAAC  
FXTQ12TAVJUDAB  
FXTQ12TAVJUDAC  
FXTQ18TAVJUAAB  
FXTQ18TAVJUDAB  
FXTQ24TAVJUAAB  
FXTQ24TAVJUDAB  
FXTQ30TAVJUAAB  
FXTQ30TAVJUDAB  
FXTQ36TAVJUAAB  
FXTQ36TAVJUDAB  
FXTQ42TAVJUAAB  
FXTQ42TAVJUDAB  
FXTQ48TAVJUAAB  
FXTQ48TAVJUDAB  
FXTQ54TAVJUAAB  
FXTQ54TAVJUDAB  
FXTQ60TAVJUAAB  
FXTQ60TAVJUDAB



This manual is to be used by qualified technicians only.

This manual replaces RP-D4329A.

# Important Information

---

## Index

Functional Parts List .....	3
Illustration and Parts .....	4 - 9

*Views shown are for parts illustrations only, not servicing procedures*

### Text Codes:

AR - As Required

NA - Not Available

NS - Not Shown

00000000 - See Note

QTY - Quantity Example (QTY 3) (If Quantity not shown, Quantity = 1)

M - Model Example (M1) (If M Code not shown, then part is used on all Models)

### Expanded Model Nomenclature:

Example M1 - Model#1 M2 - Model#2 M3 - Model#3
---

Daikin Manufacturing Company, L.P. is not responsible for personal injury or property damage resulting from improper service. Review all service information before beginning repairs.

Warranty service must be performed by an authorized technician, using authorized factory parts. If service is required after the warranty expires, Daikin Manufacturing Company, L.P. also recommends contacting an authorized technician and using authorized factory parts.

Daikin Manufacturing Company, L.P. reserves the right to discontinue, or change at any time, specifications or designs without notice or without incurring obligations.

For assistance within the U.S.A. contact:

Homeowner Support  
Daikin North America, LLC  
19001 Kermier Road  
Waller, Texas 77484  
855-770-5678-Telephone  
713-863-2382-Facsimile

For assistance outside the U.S.A. contact:

International Division  
Daikin North America, LLC  
19001 Kermier Road  
Waller, Texas 77484  
713-861-2500-Telephone  
713-863-2382-Facsimile

# Functional Parts

**Part  
No:**

**Description:**

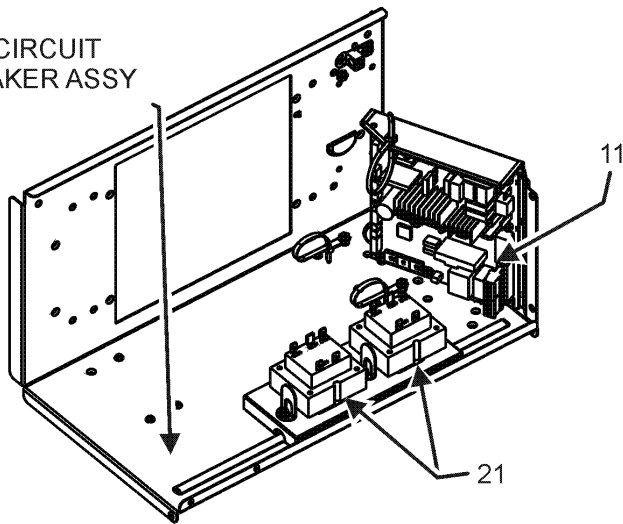
## Expanded Model Nomenclature

139601J	CAPACITY ADAPTER (M19, M20)
065339J	CAPACITY ADAPTER (M18)
069706J	CAPACITY ADAPTER (M15, M16)
065337J	CAPACITY ADAPTER (M13, M14)
066965J	CAPACITY ADAPTER (M11, M12)
065336J	CAPACITY ADAPTER (M9, M10)
064060J	CAPACITY ADAPTER (M7, M8)
065331J	CAPACITY ADAPTER (M3, M4, M5, M6)
066964J	CAPACITY ADAPTER (M1, M2)
065338J	CAPACITY ADAPTER (M17)
164625J	CAPACITY ADAPTER (M21, M22)
CBK2PD240VC060	CBK, 2 POLE, DUAL, 120/240V (M2, M5, M6, M8, M10, M12, M14, M16, M18, M20, M22)
3P381420-2	EEV COIL
0131M00272	MOTOR, 1 HP, SERIAL ECM (M19, M20, M21, M22)
0131M00270	MOTOR, 1/2 HP, SERIAL ECM (M1, M2, M3, M4, M5, M6, M7, M8, M9, M10, M11, M12, M13, M14)
0131M00271	MOTOR, 3/4 HP, SERIAL ECM (M15, M16, M17, M18)
2P432480-1	PCB FAN ASSY
3S500054-1	PULSE MOTOR EXPANS EEV (M17, M18, M19, M20, M21, M22)
3S500053-1	PULSE MOTOR EXPANS EEV (M13, M14, M15, M16)
3S500052-1	PULSE MOTOR EXPANS EEV (M11, M12)
3S500051-1	PULSE MOTOR EXPANS EEV (M9, M10)
3S500050-1	PULSE MOTOR EXPANS EEV (M7, M8)
3S500049-1	PULSE MOTOR EXPANS EEV (M3, M4, M5, M6)
3S500048-1	PULSE MOTOR EXPANS EEV (M1, M2)
0130M00279	TERMINAL BLOCK
4P419914-1	THERMISTOR ASSY
0130M00330	TRANSFORMER, 208/230, 24V (QTY 2)

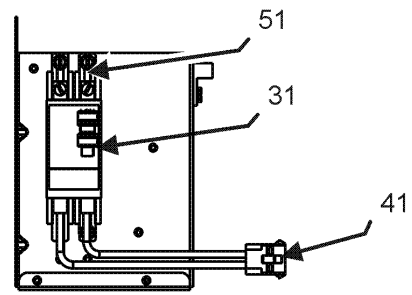
M1 - FXTQ09TAVJUAAB
M2 - FXTQ09TAVJUDAB
M3 - FXTQ12TAVJUAAB
M4 - FXTQ12TAVJUAAC
M5 - FXTQ12TAVJUDAB
M6 - FXTQ12TAVJUDAC
M7 - FXTQ18TAVJUAAB
M8 - FXTQ18TAVJUDAB
M9 - FXTQ24TAVJUAAB
M10 - FXTQ24TAVJUDAB
M11 - FXTQ30TAVJUAAB
M12 - FXTQ30TAVJUDAB
M13 - FXTQ36TAVJUAAB
M14 - FXTQ36TAVJUDAB
M15 - FXTQ42TAVJUAAB
M16 - FXTQ42TAVJUDAB
M17 - FXTQ48TAVJUAAB
M18 - FXTQ48TAVJUDAB
M19 - FXTQ54TAVJUAAB
M20 - FXTQ54TAVJUDAB
M21 - FXTQ60TAVJUAAB
M22 - FXTQ60TAVJUDAB

# Wrapper and Control Box Assembly

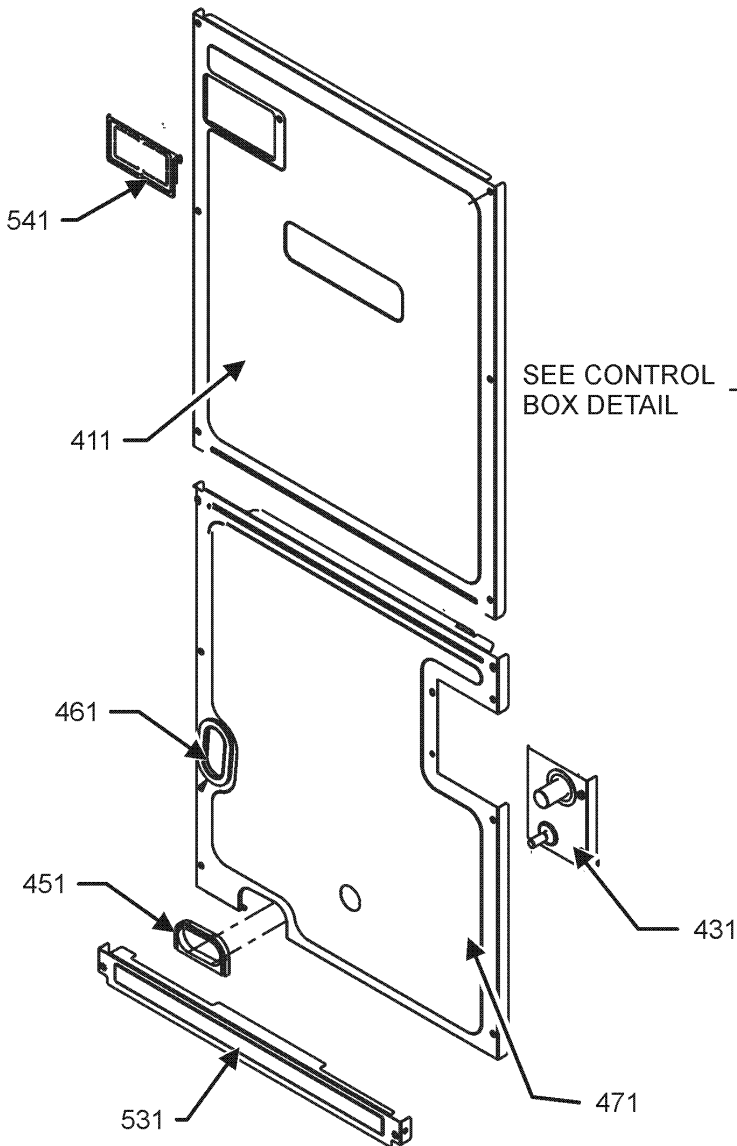
SEE CIRCUIT BREAKER ASSY



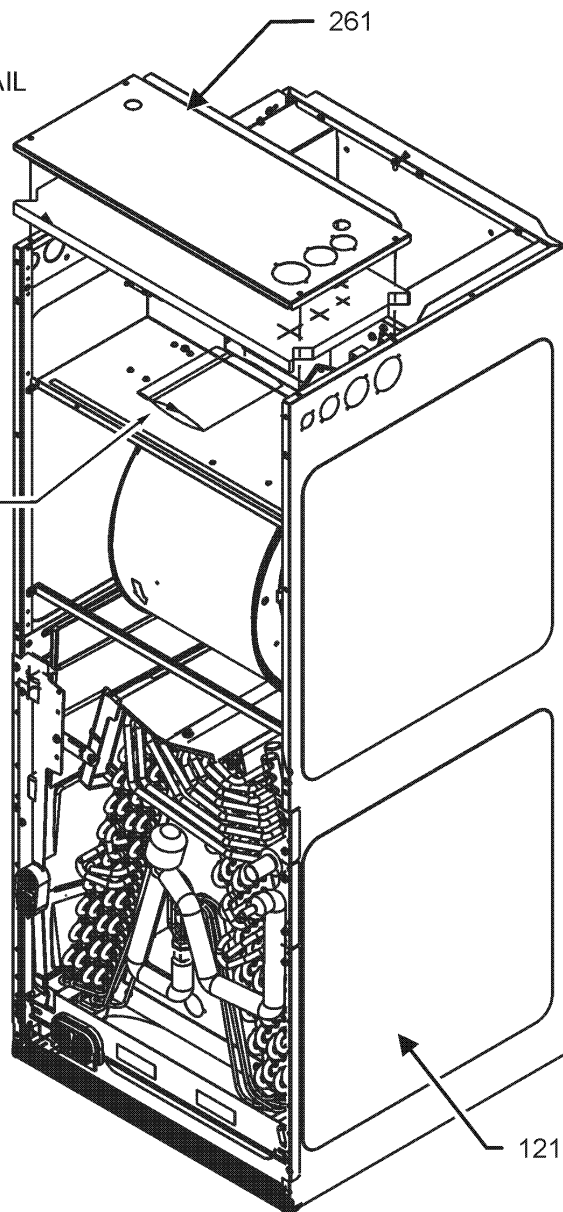
CONTROL BOX DETAIL



CIRCUIT BREAKER ASSY



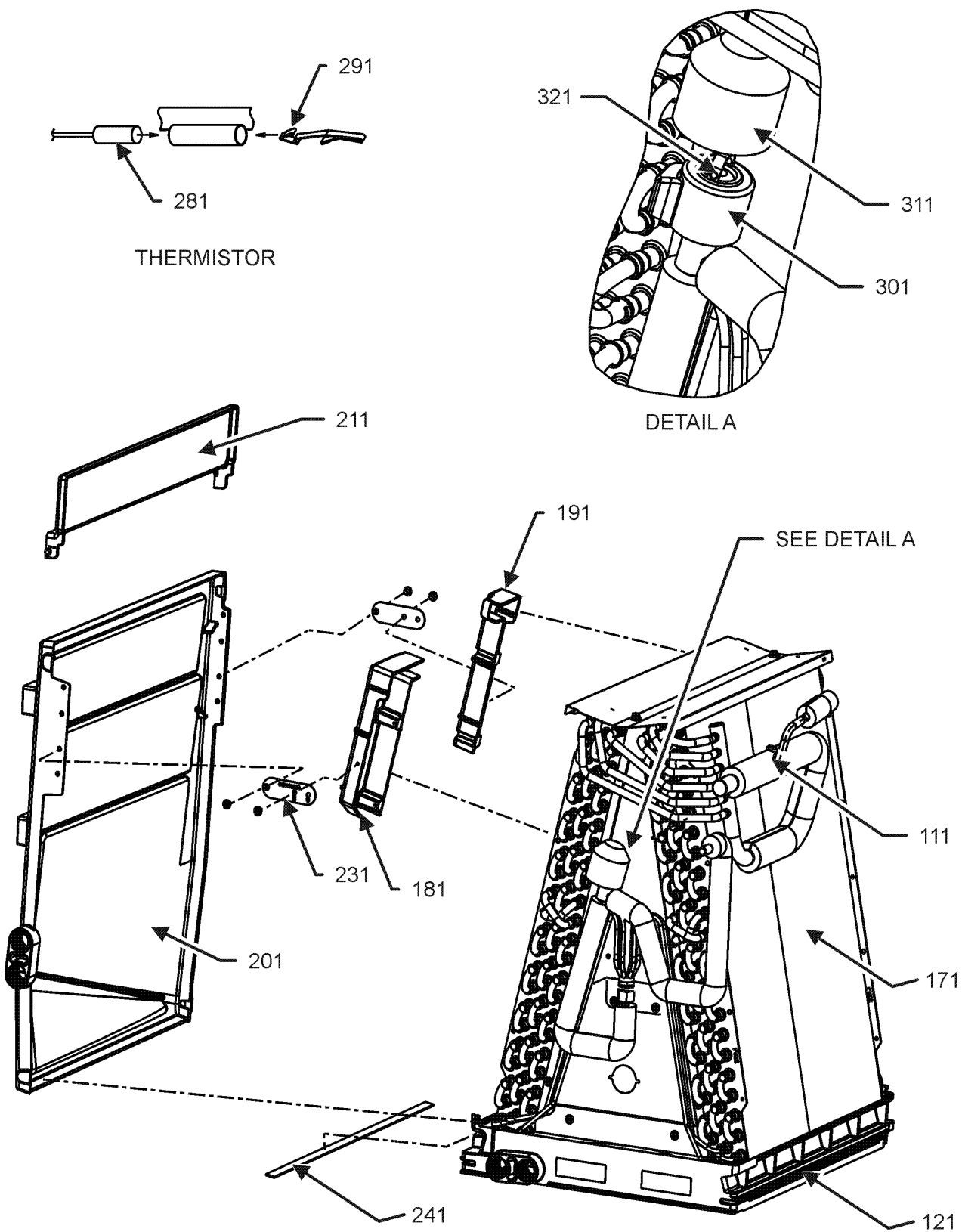
SEE CONTROL BOX DETAIL



# Wrapper and Control Box Assembly

Ref. Part No:	Ref. Part No:	Description:	Description:	
<b>Image 1:</b>		<b>Image 1:</b>		
11	2P432480-1	PCB FAN ASSY	NS 0259A00021 WIRE ASSY, 9 PIN FEMALE CONN (M1, M3, M4, M7, M9, M11, M13, M15, M17, M19, M21)	
21	0130M00330	TRANSFORMER, 208/230, 24V (QTY 2)	NS 0259A00032P WIRE ASSY, 9 PIN FEMALE CONN (M2, M5, M6, M8, M10, M12, M14, M16, M18, M20, M22)	
31	CBK2PD240VC060	CBK,2 POLE, DU AL,120/240V (M2, M5, M6, M8, M10, M12, M14, M16, M18, M20, M22)	NS 0259A00033P WIRE ASSY, 9 PIN FEMALE CONN	
41	0259A00032P	WIRE ASSY, 9 PIN FEMALE CONN (M2, M5, M6, M8, M10, M12, M14, M16, M18, M20, M22)	NS 0259A00031P WIRE HARNESS, CONNECTOR	
51	0121A00400	2 POLE MOUNTING BRACKET (M2, M5, M6, M8, M10, M12, M14, M16, M18, M20, M22)	<b>Expanded Model Nomenclature</b>	
121	0121A00276PNG	WRAPPER, LG, PAINTED (M19, M20, M21, M22)	M1 - FXTQ09TAVJUAAB	
121	0121A00456PNG	WRAPPER, PAINTED (M15, M16, M17, M18)	M2 - FXTQ09TAVJUDAB	
121	0121A00281PNG	WRAPPER, SM, PAINTED (M1, M2, M3, M4, M5, M6, M7, M8, M9, M10, M11, M12, M13, M14)	M3 - FXTQ12TAVJUAAB	
261	0121A00252PNG	PLATE, UPPER TIE (M1, M2, M3, M4, M5, M6, M7, M8, M9, M10, M11, M12, M13, M14)	M4 - FXTQ12TAVJUAAC	
261	0121A00253PNG	PLATE, UPPER TIE (M15, M16, M17, M18)	M5 - FXTQ12TAVJUDAB	
261	0121A00254PNG	PLATE, UPPER TIE (M19, M20, M21, M22)	M6 - FXTQ12TAVJUDAC	
411	0121A00833PNG	PANEL, UPPER ACCESS (M19, M20, M21, M22)	M7 - FXTQ18TAVJUAAB	
411	0121A00834PNG	PANEL, UPPER ACCESS (M15, M16, M17, M18)	M8 - FXTQ18TAVJUDAB	
411	0121A00835PNG	PANEL, UPPER ACCESS (M1, M2, M3, M4, M5, M6, M7, M8, M9, M10, M11, M12, M13, M14)	M9 - FXTQ24TAVJUAAB	
431	0121A00658PNG	REFRIGERATION TUBING PANEL	M10 - FXTQ24TAVJUDAB	
451	0154A00006BL	GASKET, DRAIN PAN	M11 - FXTQ30TAVJUAAB	
461	0154A00007BL	GASKET, DRAIN PAN	M12 - FXTQ30TAVJUDAB	
471	0121A00461PNG	LOWER ACCESS PANEL (M15, M16, M17, M18)	M13 - FXTQ36TAVJUAAB	
471	0121A00618PNG	LOWER ACCESS PANEL (M19, M20, M21, M22)	M14 - FXTQ36TAVJUDAB	
471	0121A00620PNG	LOWER ACCESS PANEL (M1, M2, M3, M4, M5, M6, M7, M8, M9, M10, M11, M12, M13, M14)	M15 - FXTQ42TAVJUAAB	
531	0121A00242PNG	Panel, Filter Access (M1, M2, M3, M4, M5, M6, M7, M8, M9, M10, M11, M12, M13, M14)	M16 - FXTQ42TAVJUDAB	
531	0121A00243PNG	Panel, Filter Access (M15, M16, M17, M18)	M17 - FXTQ48TAVJUAAB	
531	0121A00244PNG	Panel, Filter Access (M19, M20, M21, M22)	M18 - FXTQ48TAVJUDAB	
541	0161A00073	CIRCUIT BREAKER COVER	M19 - FXTQ54TAVJUAAB	
NS	064060J	CAPACITY ADAPTER (M7, M8)	M20 - FXTQ54TAVJUDAB	
NS	065331J	CAPACITY ADAPTER (M3, M4, M5, M6)	M21 - FXTQ60TAVJUAAB	
NS	065336J	CAPACITY ADAPTER (M9, M10)	M22 - FXTQ60TAVJUDAB	
NS	065337J	CAPACITY ADAPTER (M13, M14)		
NS	065338J	CAPACITY ADAPTER (M17)		
NS	065339J	CAPACITY ADAPTER (M18)		
NS	066964J	CAPACITY ADAPTER (M1, M2)		
NS	066965J	CAPACITY ADAPTER (M11, M12)		
NS	069706J	CAPACITY ADAPTER (M15, M16)		
NS	139601J	CAPACITY ADAPTER (M19, M20)		
NS	164625J	CAPACITY ADAPTER (M21, M22)		
NS	0164A00002	GROMMET (M9, M10, M11, M12, M13, M14, M15, M16, M17, M18, M19, M20, M21, M22)		
NS	0164A00008	GROMMET (M1, M2, M3, M4, M5, M6, M7, M8)		
NS	M0501301	PIPE GROMMET (M9, M10, M11, M12, M13, M14, M15, M16, M17, M18, M19, M20, M21, M22)		
NS	M0501302	PIPE GROMMET (M1, M2, M3, M4, M5, M6, M7, M8)		
NS	0163M00036	SCREW,#10X1/2,B,BZ,SLOT,SR,BLK (QTY 4)		
NS	0130M00279	TERMINAL BLOCK		
NS	0163A00026	THUMB SCREW (QTY 2)		
NS	BT1392909	WASHER; SS RETAINING (QTY 2)		

# Coil Tubing Assembly



NOTE: COIL TUBING ASSEMBLY MAY DIFFER FROM WHAT IS SHOWN

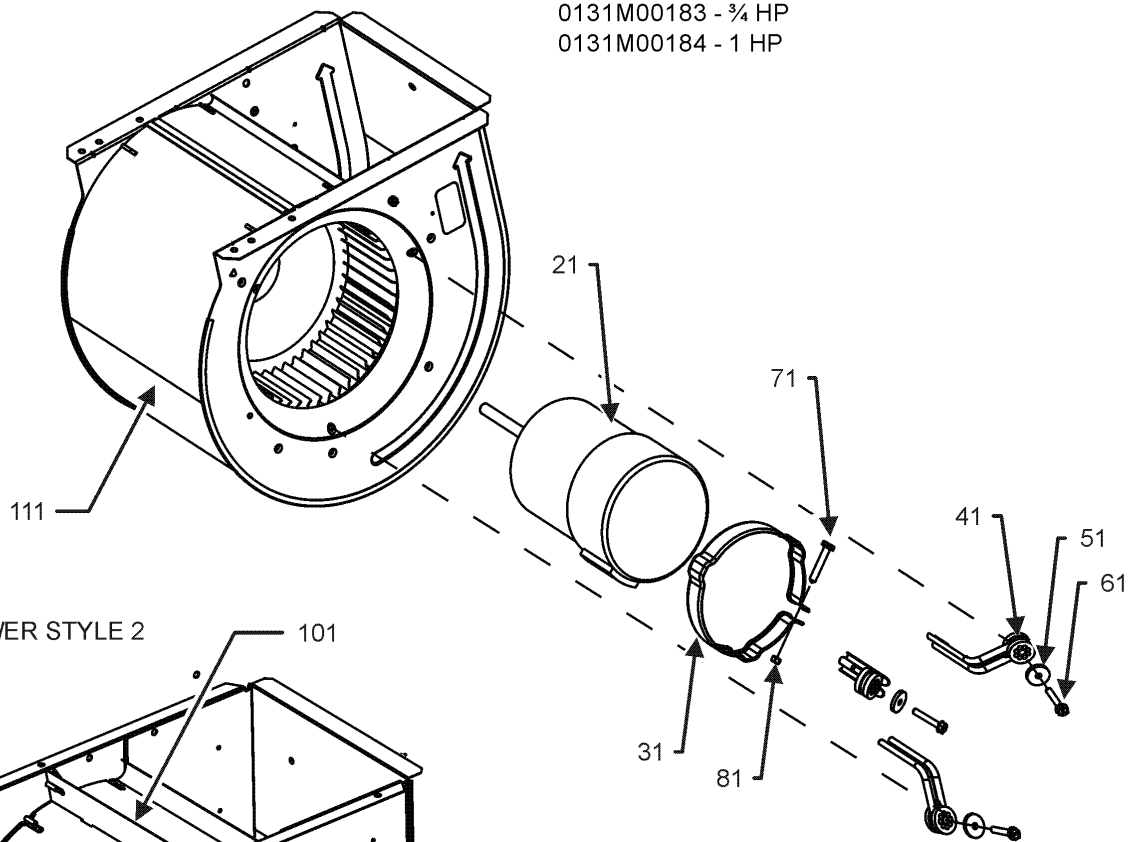
# Coil Tubing Assembly

Ref. Part No:	No:	Description:	Ref. Part No:	No:	Description:
<b>Image 1:</b>			<b>Expanded Model Nomenclature</b>		
111	B1787000	VALVE CORE	M1	-	FXTQ09TAVJUAAB
121	0161A00049	DRAINPAN, VERTICAL (M1, M2, M3, M4, M5, M6, M7, M8, M9, M10, M11, M12, M13, M14)	M2	-	FXTQ09TAVJUDAB
121	0161A00051	DRAINPAN, VERTICAL (M19, M20, M21, M22)	M3	-	FXTQ12TAVJUAAB
121	0161A00052	DRAINPAN, VERTICAL (M15, M16, M17, M18)	M4	-	FXTQ12TAVJUAAC
171	0270A01196	COIL TUBING ASSEMBLY (M13, M14)	M5	-	FXTQ12TAVJUDAB
171	0270A01197	COIL TUBING ASSEMBLY (M17, M18)	M6	-	FXTQ12TAVJUDAC
171	0270A01156	COIL TUBING ASSY (M1, M2)	M7	-	FXTQ18TAVJUAAB
171	0270A01157	COIL TUBING ASSY (M3, M5)	M8	-	FXTQ18TAVJUDAB
171	0270A01159	COIL TUBING ASSY (M7, M8)	M9	-	FXTQ24TAVJUAAB
171	0270A01160	COIL TUBING ASSY (M9, M10)	M10	-	FXTQ24TAVJUDAB
171	0270A01161	COIL TUBING ASSY (M11, M12)	M11	-	FXTQ30TAVJUAAB
171	0270A01162	COIL TUBING ASSY (M15, M16)	M12	-	FXTQ30TAVJUDAB
171	0270A01206	COIL TUBING ASSY (M19, M20, M21, M22)	M13	-	FXTQ36TAVJUAAB
171	0270A01507	COIL TUBING ASSY (M4, M6)	M14	-	FXTQ36TAVJUDAB
181	0161A00060	CONDENSATE, COLLECT, FRONT	M15	-	FXTQ42TAVJUAAB
191	0161A00061	CONDENSATE, COLLECT, BACK	M16	-	FXTQ42TAVJUDAB
201	0161A00053	DRAIN PAN HORIZONTAL, TALL (M15, M16, M17, M18, M19, M20, M21, M22)	M17	-	FXTQ48TAVJUAAB
201	0161A00055	DRAIN PAN HORIZONTAL, SMALL (M1, M2, M3, M4, M5, M6, M7, M8, M9, M10, M11, M12, M13, M14)	M18	-	FXTQ48TAVJUDAB
211	0161A00054	DRAIN PAN, EXTENSION, SMALL (M1, M2, M3, M4, M5, M6, M7, M8, M9, M10, M11, M12, M13, M14, M15, M16, M17, M18)	M19	-	FXTQ54TAVJUAAB
211	0161A00056	DRAIN PAN, EXTENSION, TALL (M19, M20, M21, M22)	M20	-	FXTQ54TAVJUDAB
231	0121A00357	BRACKET, DRIP SHIELD (M15, M16, M17, M18)	M21	-	FXTQ60TAVJUAAB
231	0121A00358	BRACKET, DRIP SHIELD (M1, M2, M3, M4, M5, M6, M7, M8)	M22	-	FXTQ60TAVJUDAB
231	0121A00633	BRACKET, DRIP SHIELD (M9, M10, M11, M12, M13, M14)			
231	0121A00634	BRACKET, DRIP SHIELD (M19, M20, M21, M22)			
241	0154A00016	GASKET, PORON			
281	4P419914-1	THERMISTOR ASSY			
291	4PA38890-1	MOUNTING SPRING, THERMISTOR			
301	3P381420-2	EEV COIL			
311	4P399446-1	WATERPROOF CAP			
321	3S500048-1	PULSE MOTOR EXPANS EEV (M1, M2)			
321	3S500049-1	PULSE MOTOR EXPANS EEV (M3, M4, M5, M6)			
321	3S500050-1	PULSE MOTOR EXPANS EEV (M7, M8)			
321	3S500051-1	PULSE MOTOR EXPANS EEV (M9, M10)			
321	3S500052-1	PULSE MOTOR EXPANS EEV (M11, M12)			
321	3S500053-1	PULSE MOTOR EXPANS EEV (M13, M14, M15, M16)			
321	3S500054-1	PULSE MOTOR EXPANS EEV (M17, M18, M19, M20, M21, M22)			
NS	0163M00175	CAP WITH O-RING			
NS	0259A00024	WIRE HARNESS ASSY			
NS	0259A00025	WIRE HARNESS ASSY			

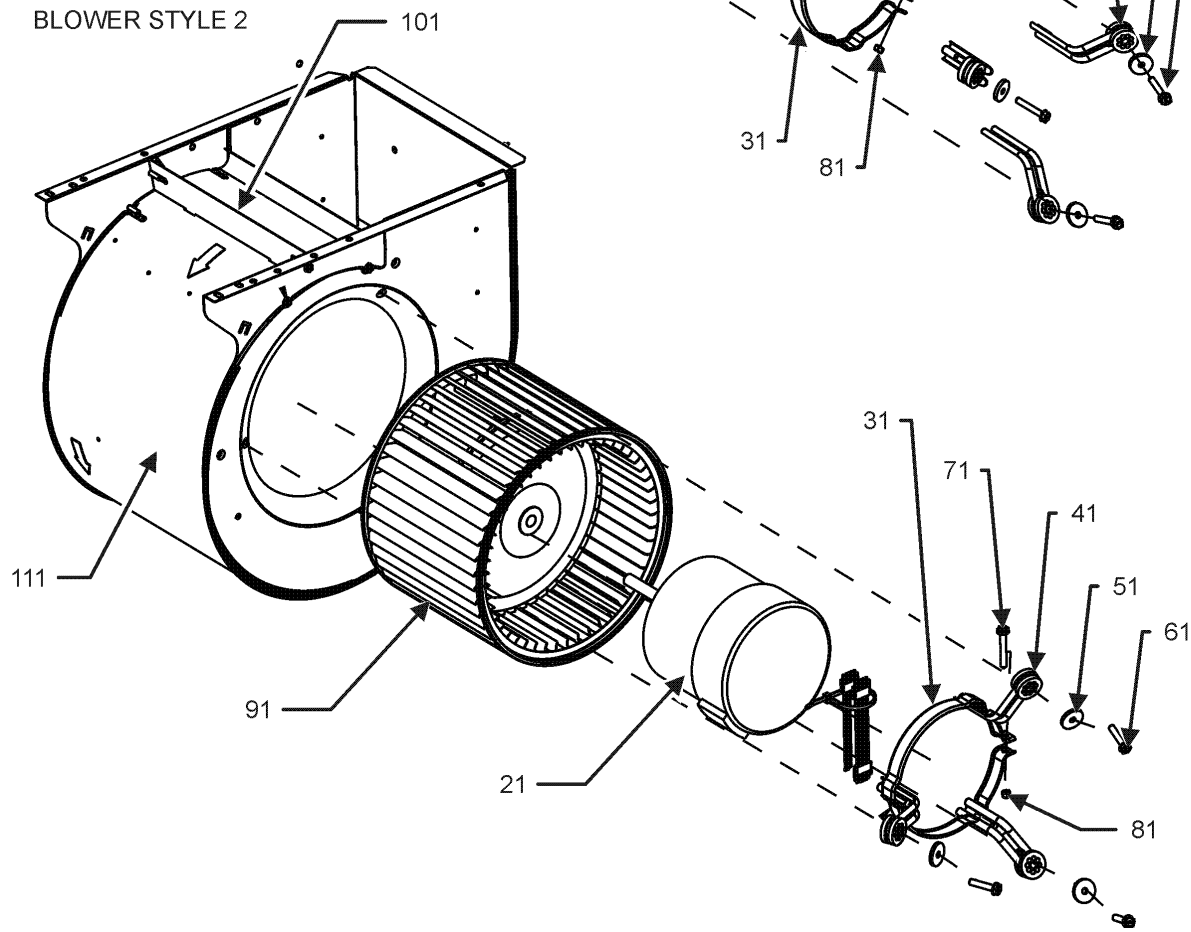
# Blower Assembly

## BLOWER STYLE 1

\*If end bells are needed please order the following:  
0131M00182 - 1/2 HP  
0131M00183 - 3/4 HP  
0131M00184 - 1 HP



## BLOWER STYLE 2



# Blower Assembly

Ref. Part No:	No:	Description:	Ref. Part No:	No:	Description:
<i>Image 1:</i>			<b>Expanded Model Nomenclature</b>		
21	0131M00272	MOTOR, 1 HP, SERIAL ECM (M19, M20, M21, M22)	M1	-	FXTQ09TAVJUAAB
21	0131M00270	MOTOR, 1/2 HP, SERIAL ECM (M1, M2, M3, M4, M5, M6, M7, M8, M9, M10, M11, M12, M13, M14)	M2	-	FXTQ09TAVJUDAB
21	0131M00271	MOTOR, 3/4 HP, SERIAL ECM (M15, M16, M17, M18)	M3	-	FXTQ12TAVJUAAB
31	0121M00038	MOTOR MOUNT BAND (M1, M2, M3, M4, M5, M6, M7, M8, M9, M10, M11, M12, M13, M14, M15, M16, M17, M18)	M4	-	FXTQ12TAVJUAAC
31	0121M00039	MOTOR MOUNT BAND (HEAVY DUTY) (M19, M20, M21, M22)	M5	-	FXTQ12TAVJUDAB
41	B1376853	MOTOR MOUNT ARM (M15, M16, M17, M18)	M6	-	FXTQ12TAVJUDAC
41	B1376861	MOTOR MOUNT ARM (M1, M2, M3, M4, M5, M6, M7, M8, M9, M10, M11, M12, M13, M14)	M7	-	FXTQ18TAVJUAAB
41	B1376863	MOTOR MOUNT ARM (HEAVY DUTY) (M19, M20, M21, M22)	M8	-	FXTQ18TAVJUDAB
51	B1392918	WASHER, FLAT 1/4 ID X 1 OD (QTY 3)	M9	-	FXTQ24TAVJUAAB
61	M0250565	TC SCREW 1.25" (QTY 3)	M10	-	FXTQ24TAVJUDAB
71	0163M00320	HEX HED ALL THREAD TAP BOLT	M11	-	FXTQ30TAVJUAAB
81	B1393800	LOCKNUT, NYLON, INSERT 1/4,20	M12	-	FXTQ30TAVJUDAB
91	B1368058	BLOWER WHEEL 10X8 (M15, M16, M17, M18)	M13	-	FXTQ36TAVJUAAB
101	764740	BLOWER BLOCK-OFF 10 X 8 (M15, M16, M17, M18)	M14	-	FXTQ36TAVJUDAB
111	0271A00029	BLOWER HOUSING ASSY 10 X 8 (M15, M16, M17, M18)	M15	-	FXTQ42TAVJUAAB
111	0271A00206	BLOWER SHELL ASSY (M19, M20, M21, M22)	M16	-	FXTQ42TAVJUDAB
111	0271A00299	BLOWER SHELL ASSY 9X6,MORRISON (M1, M2, M3, M4, M5, M6, M7, M8, M9, M10, M11, M12, M13, M14)	M17	-	FXTQ48TAVJUAAB
NS	0259M00008	WIRE HARNESS	M18	-	FXTQ48TAVJUDAB
			M19	-	FXTQ54TAVJUAAB
			M20	-	FXTQ54TAVJUDAB
			M21	-	FXTQ60TAVJUAAB
			M22	-	FXTQ60TAVJUDAB