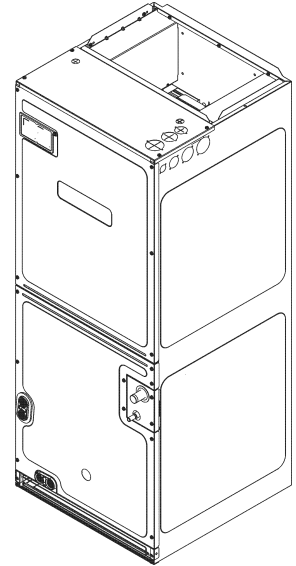


**FXTQ\*\*TAVJU\* Air Handler**

FXTQ09TAVJUAAD  
FXTQ09TAVJUDAD  
FXTQ12TAVJUAAE  
FXTQ12TAVJUDAE  
FXTQ18TAVJUAAD  
FXTQ18TAVJUDAD  
FXTQ24TAVJUAAD  
FXTQ24TAVJUDAD  
FXTQ30TAVJUAAD  
FXTQ30TAVJUDAD  
FXTQ36TAVJUAAD  
FXTQ36TAVJUDAD



This manual is to be used by qualified technicians only.

# Important Information

---

## Index

Functional Parts List .....	3
Illustration and Parts .....	4 - 9

*Views shown are for parts illustrations only, not servicing procedures.*

### Text Codes:

AR - As Required

NA - Not Available

NS - Not Shown

00000000 - See Note

QTY - Quantity Example (QTY 3) (If Quantity not shown, Quantity = 1)

M - Model Example (M1) (If M Code not shown, then part is used on all Models)

### Expanded Model Nomenclature:

Example
M1 - Model#1
M2 - Model#2
M3 - Model#3

Daikin Comfort Technologies Manufacturing , L.P. is not responsible for personal injury or property damage resulting from improper service. Review all service information before beginning repairs.

Warranty service must be performed by an authorized technician, using authorized factory parts. If service is required after the warranty expires, Daikin Comfort Technologies Manufacturing , L.P. also recommends contacting an authorized technician and using authorized factory parts.

Daikin Comfort Technologies Manufacturing , L.P. reserves the right to discontinue, or change at any time, specifications or designs without notice or without incurring obligations.

For assistance within the U.S.A. contact:  
Homeowner Support  
Daikin Comfort Technologies Manufacturing , L.P.  
19001 Kermier Road  
Waller, Texas 77484  
855-770-5678-Telephone  
713-863-2382-Facsimile

For assistance outside the U.S.A. contact:  
International Division  
Daikin Comfort Technologies Manufacturing , L.P.  
19001 Kermier Road  
Waller, Texas 77484  
713-861-2500-Telephone  
713-863-2382-Facsimile

# Functional Parts

## Part

## No: Description:

---

066964J	CAPACITY ADAPTER (M1, M2)
065331J	CAPACITY ADAPTER (M3, M4)
064060J	CAPACITY ADAPTER (M5, M6)
065336J	CAPACITY ADAPTER (M7, M8)
066965J	CAPACITY ADAPTER (M9, M10)
065337J	CAPACITY ADAPTER (M11, M12)
CBK2PD240VC060	CBK, 2 POLE, DUAL, 120/240V (M2, M4, M6, M8, M10, M12)
3P381420-2	EEV COIL
0131M01002	MOTOR, 1/2 HP
2P561243-1	PCB FAN ASSY
3S500048-1	PULSE MOTOR EXPANS EEV (M1, M2)
3S500049-1	PULSE MOTOR EXPANS EEV (M3, M4)
3S500050-1	PULSE MOTOR EXPANS EEV (M5, M6)
3S500051-1	PULSE MOTOR EXPANS EEV (M7, M8)
3S500052-1	PULSE MOTOR EXPANS EEV (M9, M10)
3S500053-1	PULSE MOTOR EXPANS EEV (M11, M12)
0130A00158	TERMINAL BLOCK
4P419914-1	THERMISTOR ASSY
0130M00138	TRANSFORMER, 208/230, 24V (QTY 2)

## SPECIAL PARTS

IOD-4023C	I/O MANUAL DAIKIN VRV I/D
IOD-4024	O/P MANUAL DAIKIN VRV I/D

## Expanded Model Nomenclature

M1 - FXTQ09TAVJUAAD
M2 - FXTQ09TAVJUDAD
M3 - FXTQ12TAVJUAAD
M4 - FXTQ12TAVJUDAE
M5 - FXTQ18TAVJUAAD
M6 - FXTQ18TAVJUDAD
M7 - FXTQ24TAVJUAAD
M8 - FXTQ24TAVJUDAD
M9 - FXTQ30TAVJUAAD
M10 - FXTQ30TAVJUDAD
M11 - FXTQ36TAVJUAAD
M12 - FXTQ36TAVJUDAD



# Wrapper and Control Box Assembly

Ref. Part No:	Part No:	Description:	Ref. Part No:	Part No:	Description:
---------------	----------	--------------	---------------	----------	--------------

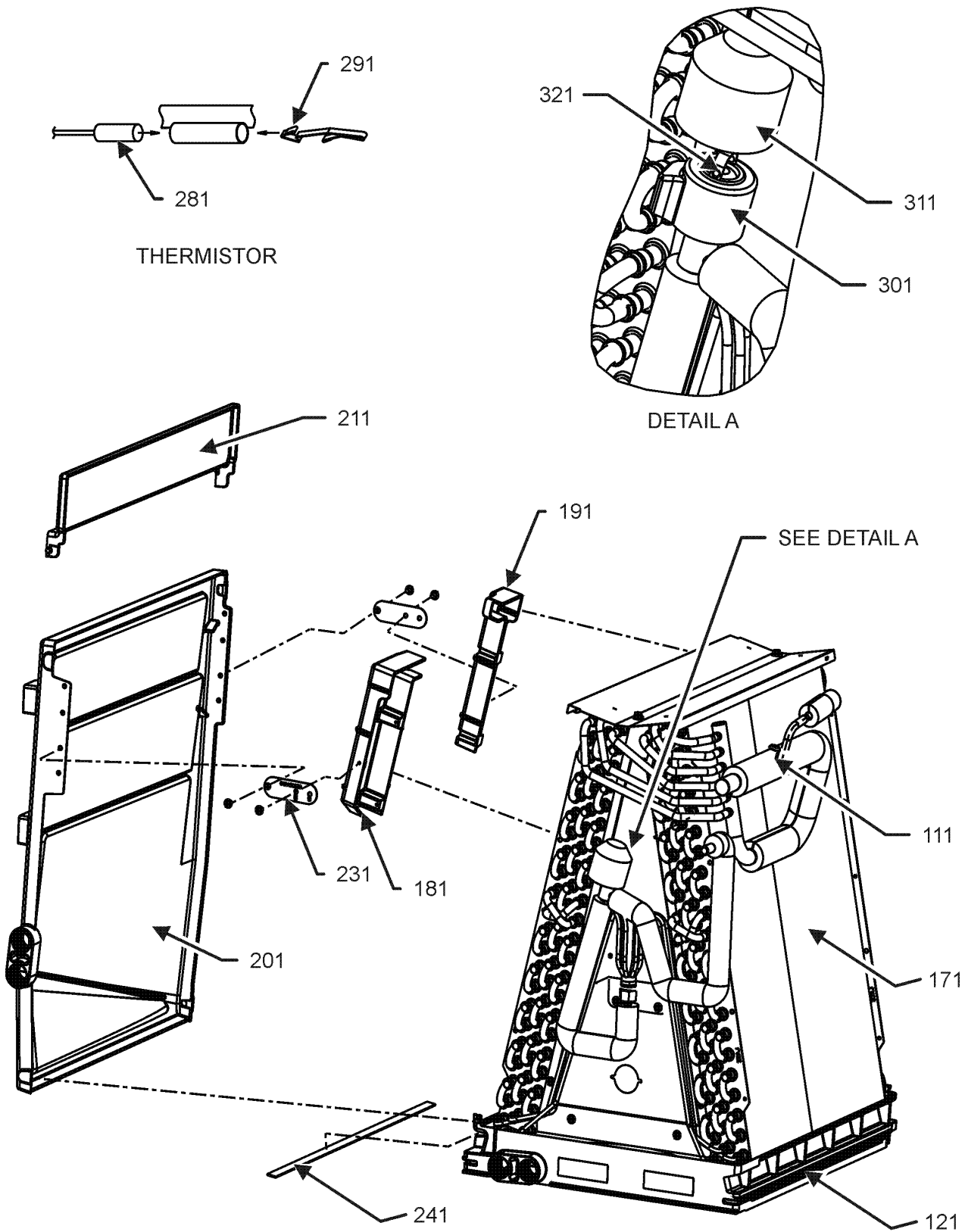
**Image 1:**

11	2P561243-1	PCB FAN ASSY			
21	0130M00138	TRANSFORMER, 208/230, 24V (QTY 2)			
31	CBK2PD240VC060	CBK,2 POLE, DUAL,120/240V (M2, M4, M6, M8, M10, M12)			
41	0259A00032P	WIRE ASSY, 9 PIN FEMALE CONN. (M2, M4, M6, M8, M10, M12)			
51	0121A00400	2 POLE MOUNTING BRACKET (M2, M4, M6, M8, M10, M12)			
261	0121A01483PNG	PLATE, UPPER TIE			
411	0121A00835PNG	PANEL, UPPER ACCESS			
431	0121A00658PNG	REFRIGERATION TUBING PANEL			
451	0154A00006BL	GASKET, DRAIN PAN			
461	0154A00007BL	GASKET, DRAIN PAN			
471	0121A00620PNG	LOWER ACCESS PANEL			
531	0121A00242PNG	Panel, Filter Access			
541	0161A00073	CIRCUIT BREAKER COVER			
NS	064060J	CAPACITY ADAPTER (M5, M6)			
NS	065331J	CAPACITY ADAPTER (M3, M4)			
NS	065336J	CAPACITY ADAPTER (M7, M8)			
NS	065337J	CAPACITY ADAPTER (M11, M12)			
NS	066964J	CAPACITY ADAPTER (M1, M2)			
NS	066965J	CAPACITY ADAPTER (M9, M10)			
NS	0164A00002	GROMMET (M7, M8, M9, M10, M11, M12)			
NS	0164A00008	GROMMET (M1, M2, M3, M4, M5, M6)			
NS	IOD-4023C	I/O MANUAL DAIKIN VRV I/D			
NS	IOD-4024	O/P MANUAL DAIKIN VRV I/D			
NS	M0501301	PIPE GROMMET (M7, M8, M9, M10, M11, M12)			
NS	M0501302	PIPE GROMMET (M1, M2, M3, M4, M5, M6)			
NS	0163M00036	SCREW,#10X1/2,B,BZ,SLOT,SR,BLK (QTY 4)			
NS	0130A00158	TERMINAL BLOCK			
NS	0163A00026	THUMB SCREW (QTY 2)			
NS	BT1392909	WASHER; SS RETAINING (QTY 2)			
NS	0259A00021	WIRE ASSY, 9 PIN FEMALE CONN (M1, M3, M5, M7, M9, M11)			
NS	0259A00033P	WIRE ASSY, 9 PIN FEMALE CONN			
NS	0259A00031P	WIRE HARNESS, CONNECTOR			

**Expanded Model Nomenclature**

M1 - FXTQ09TAVJUAAD
M2 - FXTQ09TAVJUDAD
M3 - FXTQ12TAVJUAAE
M4 - FXTQ12TAVJUDAE
M5 - FXTQ18TAVJUAAD
M6 - FXTQ18TAVJUDAD
M7 - FXTQ24TAVJUAAD
M8 - FXTQ24TAVJUDAD
M9 - FXTQ30TAVJUAAD
M10 - FXTQ30TAVJUDAD
M11 - FXTQ36TAVJUAAD
M12 - FXTQ36TAVJUDAD

# Coil Tubing Assembly



NOTE: COIL TUBING ASSEMBLY MAY DIFFER FROM WHAT IS SHOWN

# Coil Tubing Assembly

Ref. Part No:	No:	Description:	Ref. Part No:	No:	Description:
<b>Image 1:</b>					
111	B1787000	VALVE CORE			
121	0161A00049	DRAINPAN, VERTICAL			
171	0270A01196	COIL TUBING ASSEMBLY (M11, M12)			
171	0270A01156	COIL TUBING ASSY (M1, M2)			
171	0270A01159	COIL TUBING ASSY (M5, M6)			
171	0270A01160	COIL TUBING ASSY (M7, M8)			
171	0270A01161	COIL TUBING ASSY (M9, M10)			
171	0270A01507	COIL TUBING ASSY (M3, M4)			
181	0161A00060	CONDENSATE, COLLECT, FRONT			
191	0161A00061	CONDENSATE, COLLECT, BACK			
201	0161A00055	DRAINING PAN HORIZONTAL, SMALL			
211	0161A00054	DRAIN PAN, EXTENSION, SMALL			
231	0121A00358	BRACKET, DRIP SHIELD (M1, M2, M3, M4, M5, M6)			
231	0121A00633	BRACKET, DRIP SHIELD (M7, M8, M9, M10, M11, M12)			
241	0154A00016	GASKET, PORON			
281	4P419914-1	THERMISTOR ASSY			
291	4PA38890-1	MOUNTING SPRING, THERMISTOR			
301	3P381420-2	EEV COIL			
311	4P399446-1	WATERPROOF CAP			
321	3S500048-1	PULSE MOTOR EXPANS EEV (M1, M2)			
321	3S500049-1	PULSE MOTOR EXPANS EEV (M3, M4)			
321	3S500050-1	PULSE MOTOR EXPANS EEV (M5, M6)			
321	3S500051-1	PULSE MOTOR EXPANS EEV (M7, M8)			
321	3S500052-1	PULSE MOTOR EXPANS EEV (M9, M10)			
321	3S500053-1	PULSE MOTOR EXPANS EEV (M11, M12)			
NS	0163M00175	CAP WITH O-RING			
NS	R3269031-7	FILTER (QTY 2)			
NS	0259A00024	WIRE HARNESS ASSY			
NS	0259A00025	WIRE HARNESS ASSY			

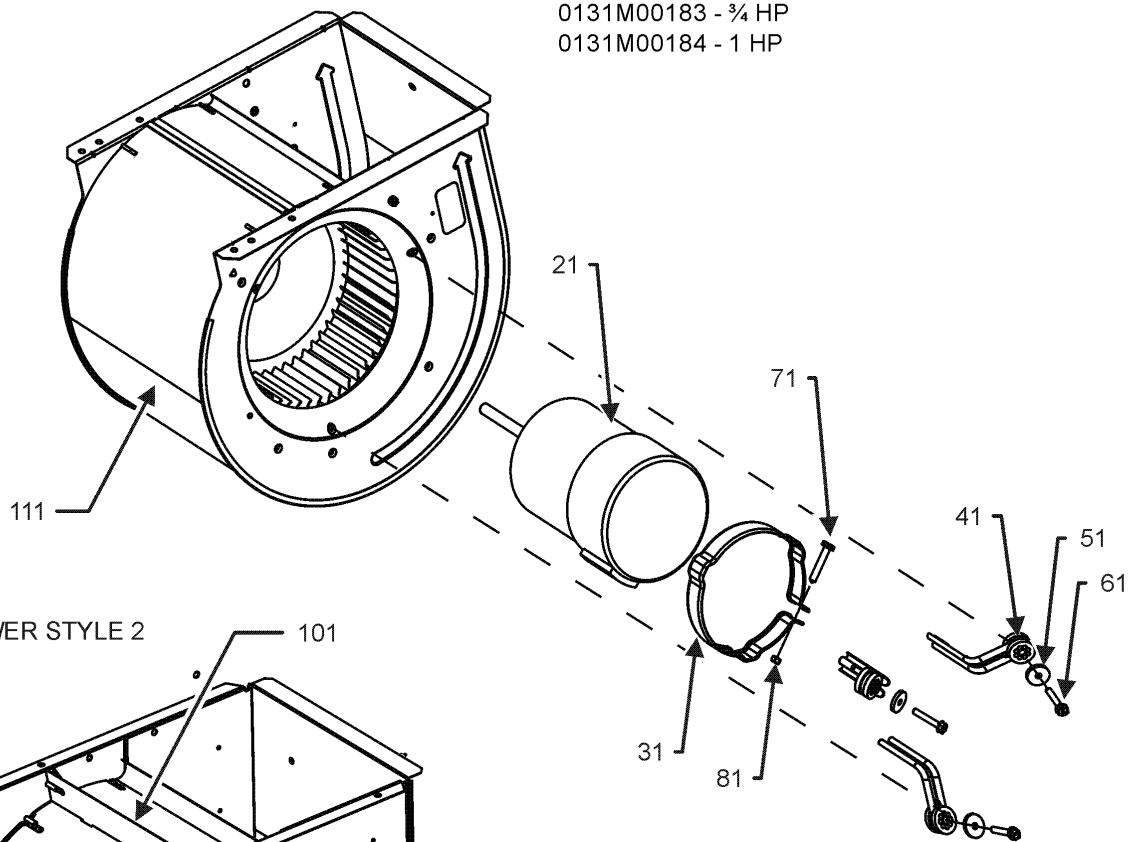
## Expanded Model Nomenclature

- |                      |
|----------------------|
| M1 - FXTQ09TAVJUAAD  |
| M2 - FXTQ09TAVJUDAD  |
| M3 - FXTQ12TAVJUAAE  |
| M4 - FXTQ12TAVJUAAE  |
| M5 - FXTQ18TAVJUAAD  |
| M6 - FXTQ18TAVJUDAD  |
| M7 - FXTQ24TAVJUAAD  |
| M8 - FXTQ24TAVJUDAD  |
| M9 - FXTQ30TAVJUAAD  |
| M10 - FXTQ30TAVJUDAD |
| M11 - FXTQ36TAVJUAAD |
| M12 - FXTQ36TAVJUDAD |

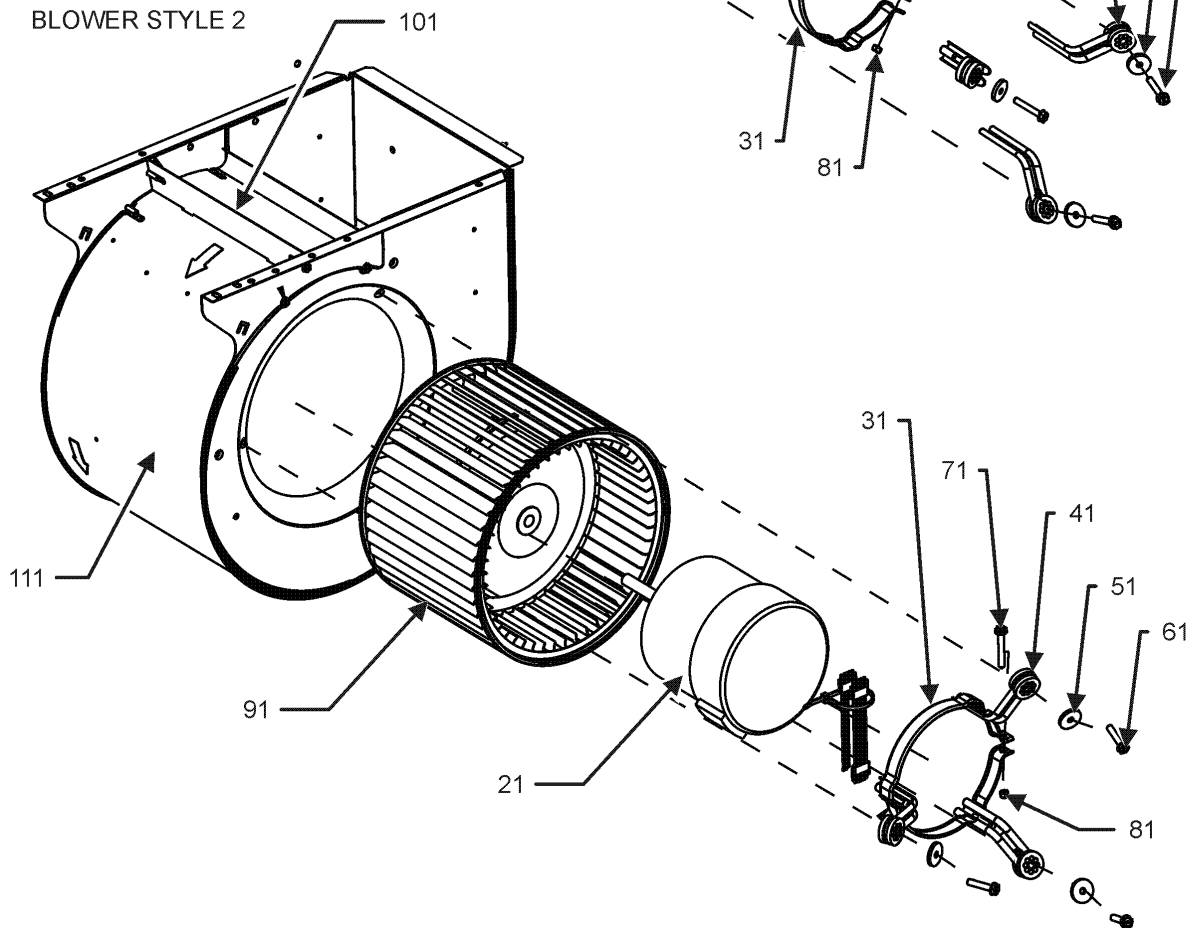
# Blower Assembly

## BLOWER STYLE 1

\*If end bells are needed please order the following:  
0131M00182 - 1/2 HP  
0131M00183 - 3/4 HP  
0131M00184 - 1 HP



## BLOWER STYLE 2



# Blower Assembly

Ref. Part No:	No:	Description:	Ref. Part No:	No:	Description:
---------------	-----	--------------	---------------	-----	--------------

**Image 1:**

21	0131M01002	MOTOR, 1/2 HP
31	0121M00038	MOUNT BAND, MOTOR
41	0171M00011	MOTOR MOUNT ARM (QTY 3)
51	B1392918	WASHER, FLAT 1/4 ID X 1 OD (QTY 3)
61	M0250565	TC SCREW 1.25" (QTY 3)
71	0163M00320	HEX HED ALL THREAD TAP BOLT
81	B1393800	LOCKNUT, NYLON, INSERT 1/4,20
111	0271A00299	BLOWER SHELL ASSY 9X6,MORRISON
NS	0259M00008	WIRE HARNESS

**Expanded Model Nomenclature**

M1 - FXTQ09TAVJUAAD
M2 - FXTQ09TAVJUDAD
M3 - FXTQ12TAVJUAAE
M4 - FXTQ12TAVJUDAE
M5 - FXTQ18TAVJUAAD
M6 - FXTQ18TAVJUDAD
M7 - FXTQ24TAVJUAAD
M8 - FXTQ24TAVJUDAD
M9 - FXTQ30TAVJUAAD
M10 - FXTQ30TAVJUDAD
M11 - FXTQ36TAVJUAAD
M12 - FXTQ36TAVJUDAD