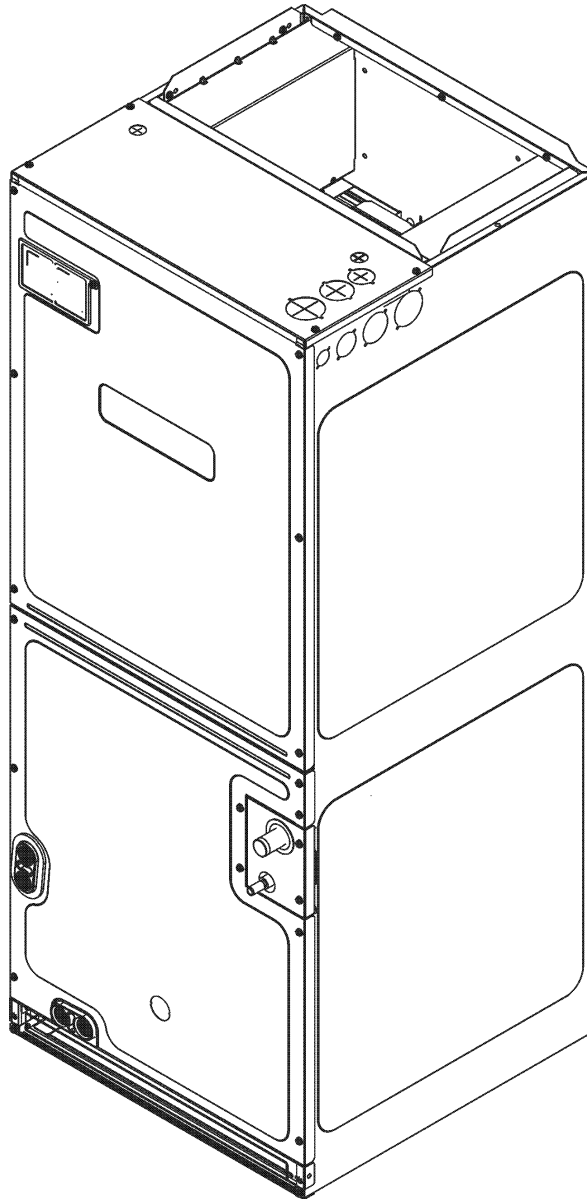


FXTQTAVJU* Air Handler**

FXTQ09TAVJUAAA
FXTQ09TAVJUDAA
FXTQ12TAVJUAAA
FXTQ12TAVJUDAA
FXTQ18TAVJUAAA
FXTQ18TAVJUDAA
FXTQ24TAVJUAAA
FXTQ24TAVJUDAA
FXTQ30TAVJUAAA
FXTQ30TAVJUDAA
FXTQ36TAVJUAAA
FXTQ36TAVJUDAA
FXTQ42TAVJUAAA
FXTQ42TAVJUDAA
FXTQ48TAVJUAAA
FXTQ48TAVJUDAA
FXTQ54TAVJUAAA
FXTQ54TAVJUDAA
FXTQ60TAVJUAAA
FXTQ60TAVJUDAA



This manual is to be used by qualified technicians only.

This manual replaces RP-D4309A.

Important Information

Index

Functional Parts List	3
Illustration and Parts	4 - 9

Views shown are for parts illustrations only, not servicing procedures

Text Codes:

AR - As Required

NA - Not Available

NS - Not Shown

00000000 - See Note

QTY - Quantity Example (QTY 3) (If Quantity not shown, Quantity = 1)

M - Model Example (M1) (If M Code not shown, then part is used on all Models)

Expanded Model Nomenclature:

Example M1 - Model#1 M2 - Model#2 M3 - Model#3

Daikin Manufacturing Company, L.P. is not responsible for personal injury or property damage resulting from improper service. Review all service information before beginning repairs.

Warranty service must be performed by an authorized technician, using authorized factory parts. If service is required after the warranty expires, Daikin Manufacturing Company, L.P. also recommends contacting an authorized technician and using authorized factory parts.

Daikin Manufacturing Company, L.P. reserves the right to discontinue, or change at any time, specifications or designs without notice or without incurring obligations.

For assistance within the U.S.A. contact:

Homeowner Support
Daikin North America, LLC
19001 Kermier Road
Waller, Texas 77484
855-770-5678-Telephone
713-863-2382-Facsimile

For assistance outside the U.S.A. contact:

International Division
Daikin North America, LLC
19001 Kermier Road
Waller, Texas 77484
713-861-2500-Telephone
713-863-2382-Facsimile

Functional Parts

Part

No: Description:

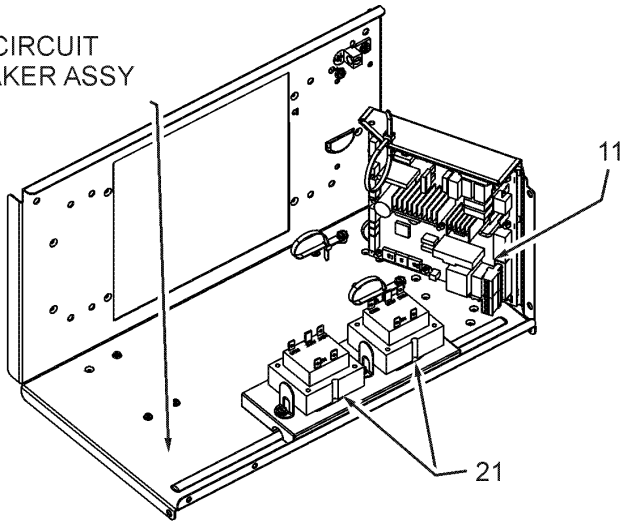
164625J	CAPACITY ADAPTER (M19, M20)
066964J	CAPACITY ADAPTER (M1, M2)
065331J	CAPACITY ADAPTER (M3, M4)
064060J	CAPACITY ADAPTER (M5, M6)
065336J	CAPACITY ADAPTER (M7, M8)
066965J	CAPACITY ADAPTER (M9, M10)
065337J	CAPACITY ADAPTER (M11, M12)
069706J	CAPACITY ADAPTER (M13, M14)
065339J	CAPACITY ADAPTER (M15, M16)
139601J	CAPACITY ADAPTER (M17, M18)
CBK2PD240VC060	CBK, 2 POLE, DUAL, 120/240V (M2, M4, M6, M8, M10, M12, M14, M16, M18, M20)
3P381420-2	EEV COIL
0131M00272	MOTOR, 1 HP, SERIAL ECM (M17, M18, M19, M20)
0131M00270	MOTOR, 1/2 HP, SERIAL ECM (M1, M2, M3, M4, M5, M6, M7, M8, M9, M10, M11, M12)
0131M00271	MOTOR, 3/4 HP, SERIAL ECM (M13, M14, M15, M16)
2P432480-1	PCB FAN ASSY
3S500048-1	PULSE MOTOR EXPANS EEV (M1, M2)
3S500049-1	PULSE MOTOR EXPANS EEV (M3, M4)
3S500050-1	PULSE MOTOR EXPANS EEV (M5, M6)
3S500051-1	PULSE MOTOR EXPANS EEV (M7, M8)
3S500052-1	PULSE MOTOR EXPANS EEV (M9, M10)
3S500053-1	PULSE MOTOR EXPANS EEV (M11, M12, M13, M14)
3S500054-1	PULSE MOTOR EXPANS EEV (M15, M16, M17, M18, M19, M20)
4P419914-1	THERMISTOR ASSY
0130M00138	TRANSFORMER 208/230, 24V (QTY 2)

Expanded Model Nomenclature

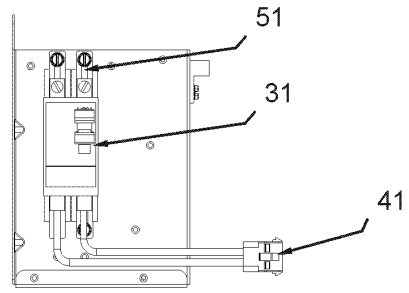
M1 - FXTQ09TAVJUAAA
M2 - FXTQ09TAVJUDAA
M3 - FXTQ12TAVJUAAA
M4 - FXTQ12TAVJUDAA
M5 - FXTQ18TAVJUAAA
M6 - FXTQ18TAVJUDAA
M7 - FXTQ24TAVJUAAA
M8 - FXTQ24TAVJUDAA
M9 - FXTQ30TAVJUAAA
M10 - FXTQ30TAVJUDAA
M11 - FXTQ36TAVJUAAA
M12 - FXTQ36TAVJUDAA
M13 - FXTQ42TAVJUAAA
M14 - FXTQ42TAVJUDAA
M15 - FXTQ48TAVJUAAA
M16 - FXTQ48TAVJUDAA
M17 - FXTQ54TAVJUAAA
M18 - FXTQ54TAVJUDAA
M19 - FXTQ60TAVJUAAA
M20 - FXTQ60TAVJUDAA

Wrapper and Control Box Assy

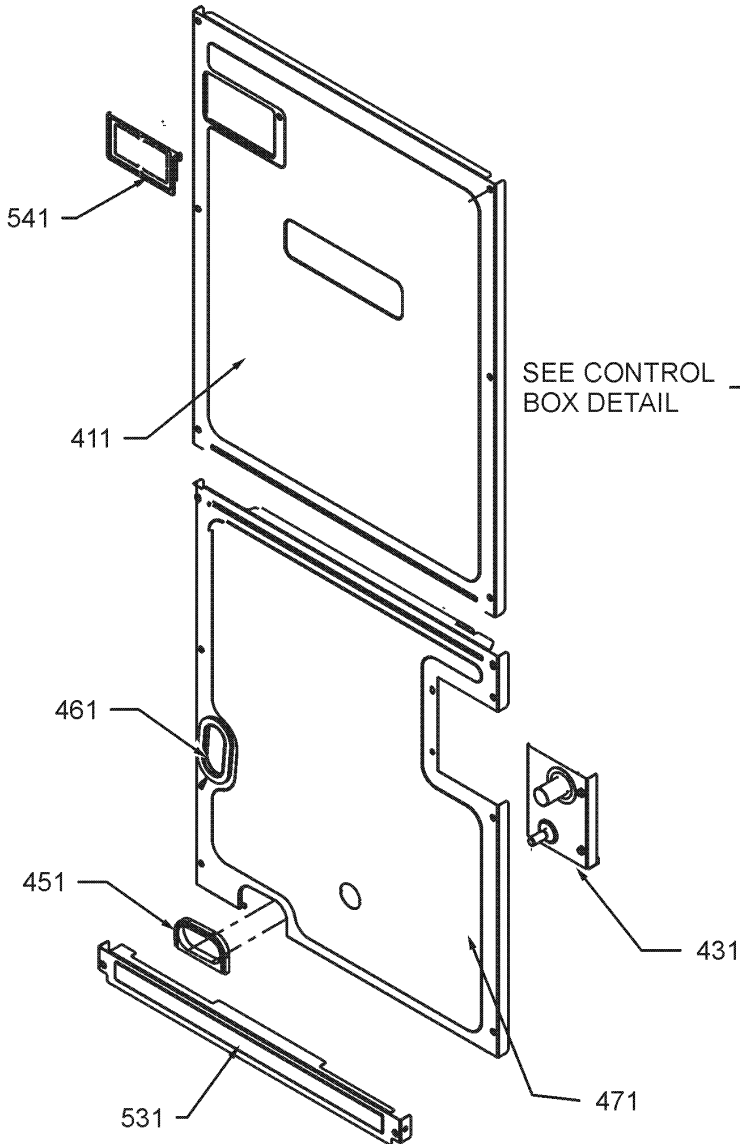
SEE CIRCUIT BREAKER ASSY



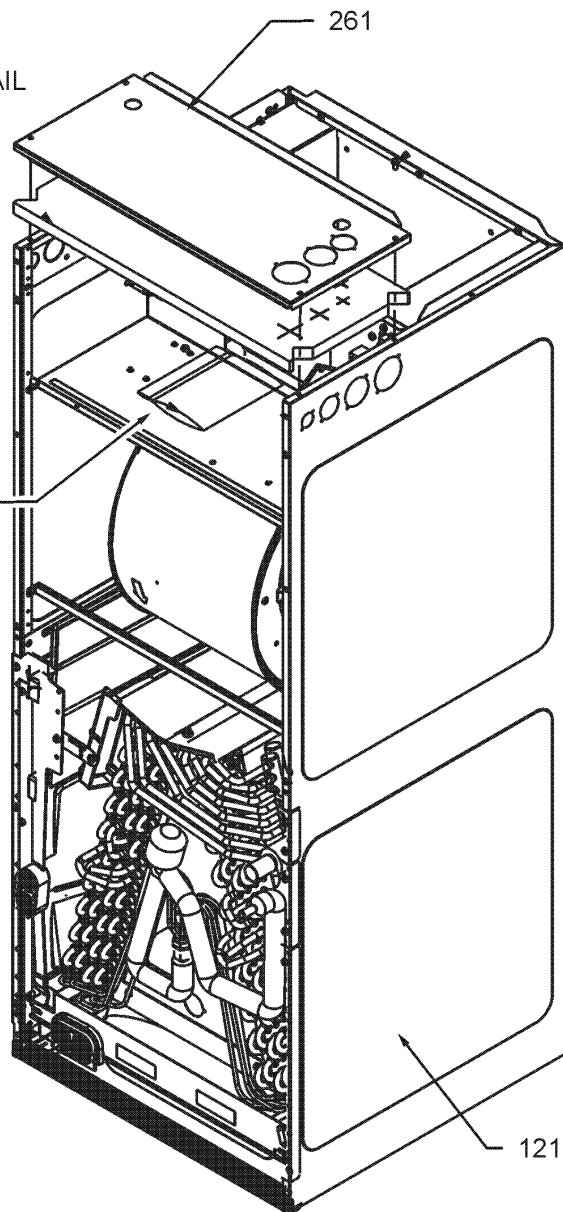
CONTROL BOX DETAIL



CIRCUIT BREAKER ASSY



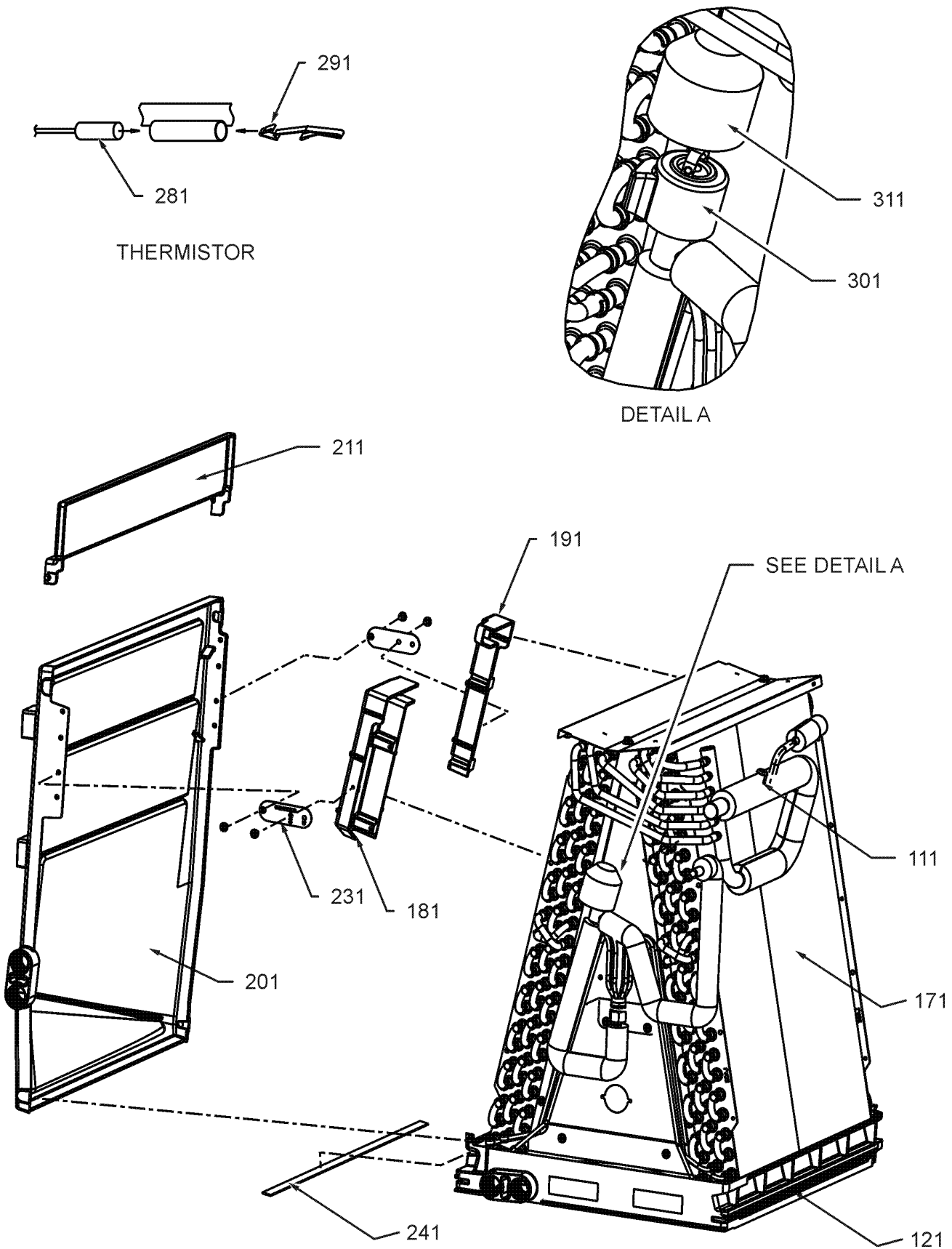
SEE CONTROL BOX DETAIL



Wrapper and Control Box Assy

Ref. Part No: No:	Description:	Ref. Part No: No:	Description:
Image 1:		Expanded Model Nomenclature	
11	2P432480-1 PCB FAN ASSY	M1	FXTQ09TAVJUAAA
21	0130M00138 TRANSFORMER 208/230, 24V (QTY 2)	M2	FXTQ09TAVJUDAA
31	CBK2PD240VC060 CBK,2 POLE, DUAL,120/240V (M2, M4, M6, M8, M10, M12, M14, M16, M18, M20)	M3	FXTQ12TAVJUAAA
41	0259A00021 WIRE ASSY, 9 PIN FEMALE CONN (M1, M3, M5, M7, M9, M11, M13, M15, M17, M19)	M4	FXTQ12TAVJUDAA
41	0259A00032P WIRE ASSY, 9 PIN FEMALE CONN (M2, M4, M6, M8, M10, M12, M14, M16, M18, M20)	M5	FXTQ18TAVJUAAA
41	0259A00033P WIRE ASSY, 9 PIN FEMALE CONN	M6	FXTQ18TAVJUDAA
51	0121A00400 2 POLE MOUNTING BRACKET (M2, M4, M6, M8, M10, M12, M14, M16, M18, M20)	M7	FXTQ24TAVJUAAA
121	0121A00276PNG WRAPPER, LG, PAINTED (M17, M18, M19, M20)	M8	FXTQ24TAVJUDAA
121	0121A00456PNG WRAPPER, PAINTED (M13, M14, M15, M16)	M9	FXTQ30TAVJUAAA
121	0121A00281PNG WRAPPER, SM, PAINTED (M1, M2, M3, M4, M5, M6, M7, M8, M9, M10, M11, M12)	M10	FXTQ30TAVJUDAA
261	0121A00373PNG Plate, Upper Tie (M1, M2, M3, M4, M5, M6, M7, M8, M9, M10, M11, M12)	M11	FXTQ36TAVJUAAA
261	0121A00374PNG Plate, Upper Tie (M13, M14, M15, M16)	M12	FXTQ36TAVJUDAA
261	0121A00375PNG Plate, Upper Tie (M17, M18, M19, M20)	M13	FXTQ42TAVJUAAA
411	0121A00833PNG PANEL, UPPER ACCESS (M17, M18, M19, M20)	M14	FXTQ42TAVJUDAA
411	0121A00834PNG PANEL, UPPER ACCESS (M13, M14, M15, M16)	M15	FXTQ48TAVJUAAA
411	0121A00835PNG PANEL, UPPER ACCESS (M1, M2, M3, M4, M5, M6, M7, M8, M9, M10, M11, M12)	M16	FXTQ48TAVJUDAA
431	0121A00658PNG REFRIGERATION TUBING PANEL	M17	FXTQ54TAVJUAAA
451	0154A00006BL GASKET, DRAIN PAN	M18	FXTQ54TAVJUDAA
461	0154A00007BL GASKET, DRAIN PAN	M19	FXTQ60TAVJUAAA
471	0121A00461PNG LOWER ACCESS PANEL (M13, M14, M15, M16)	M20	FXTQ60TAVJUDAA
471	0121A00618PNG LOWER ACCESS PANEL (M17, M18, M19, M20)		
471	0121A00620PNG LOWER ACCESS PANEL (M1, M2, M3, M4, M5, M6, M7, M8, M9, M10, M11, M12)		
531	0121A00242PNG Panel, Filter Access (M1, M2, M3, M4, M5, M6, M7, M8, M9, M10, M11, M12)		
531	0121A00243PNG Panel, Filter Access (M13, M14, M15, M16)		
531	0121A00244PNG Panel, Filter Access (M17, M18, M19, M20)		
541	0161A00073 CIRCUIT BREAKER COVER		
NS	064060J CAPACITY ADAPTER (M5, M6)		
NS	065331J CAPACITY ADAPTER (M3, M4)		
NS	065336J CAPACITY ADAPTER (M7, M8)		
NS	065337J CAPACITY ADAPTER (M11, M12)		
NS	065339J CAPACITY ADAPTER (M15, M16)		
NS	066964J CAPACITY ADAPTER (M1, M2)		
NS	066965J CAPACITY ADAPTER (M9, M10)		
NS	069706J CAPACITY ADAPTER (M13, M14)		
NS	139601J CAPACITY ADAPTER (M17, M18)		
NS	164625J CAPACITY ADAPTER (M19, M20)		
NS	0164A00002 GROMMET (M7, M8, M9, M10, M11, M12, M13, M14, M15, M16, M17, M18, M19, M20)		
NS	0164A00008 GROMMET (M1, M2, M3, M4, M5, M6)		
NS	M0501301 PIPE GROMMET (M7, M8, M9, M10, M11, M12, M13, M14, M15, M16, M17, M18, M19, M20)		
NS	M0501302 PIPE GROMMET (M1, M2, M3, M4, M5, M6)		
NS	0163M00036 SCREW,#10X1/2,B,BZ,SLOT,SR,BLK (QTY 4)		
NS	0130M00279 TERMINAL BLOCK		
NS	0163A00026 THUMB SCREW (QTY 2)		
NS	BT1392909 WASHER; SS RETAINING (QTY 2)		
NS	0259A00031P WIRE HARNESS, CONNECTOR		

Coil Tubing Assy



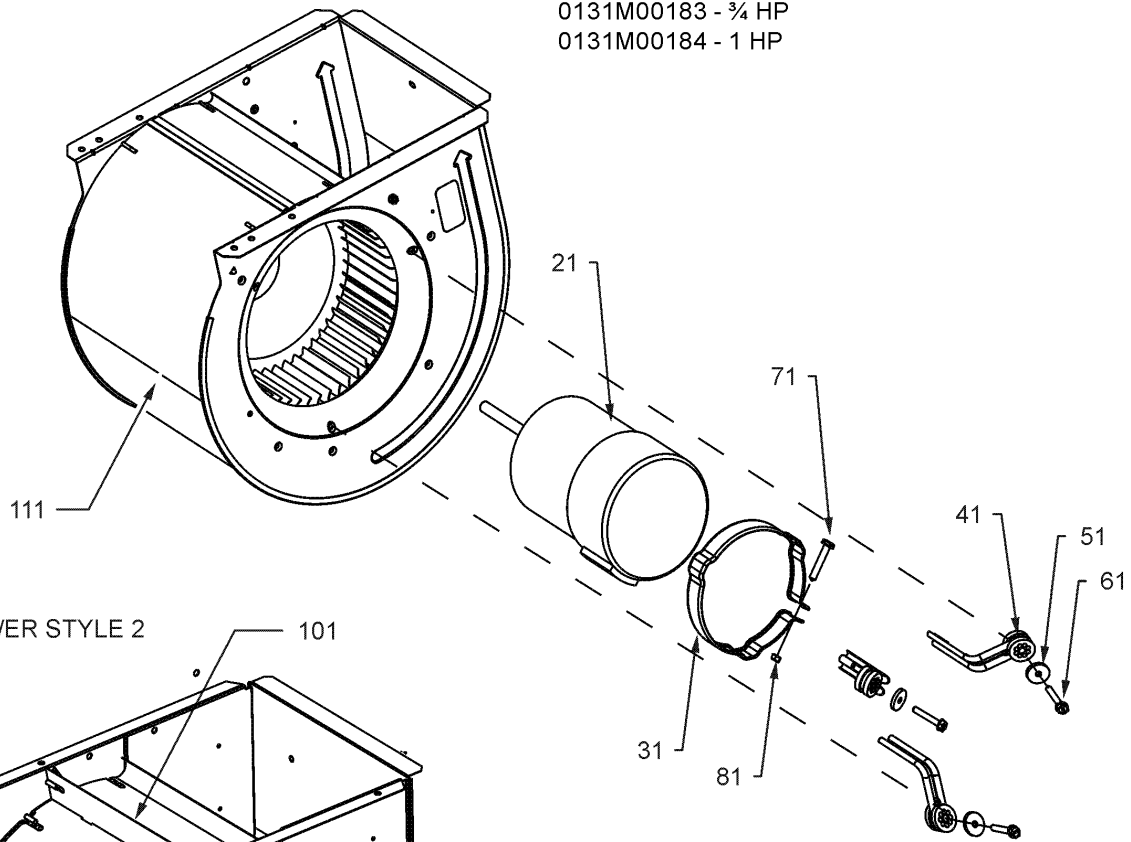
Coil Tubing Assy

Ref. Part No: No:	Description:	Ref. Part No: No:	Description:
Image 1:		Expanded Model Nomenclature	
111	B1787000	VALVE CORE	M1 - FXTQ09TAVJUAAA
121	0161A00049	DRAINPAN, VERTICAL (M1, M2, M3, M4, M5, M6, M7, M8, M9, M10, M11, M12)	M2 - FXTQ09TAVJUDAA
121	0161A00051	DRAINPAN, VERTICAL (M17, M18, M19, M20)	M3 - FXTQ12TAVJUAAA
121	0161A00052	DRAINPAN, VERTICAL (M13, M14, M15, M16)	M4 - FXTQ12TAVJUDAA
171	0270A01156	COIL TUBING ASSY (M1, M2)	M5 - FXTQ18TAVJUAAA
171	0270A01157	COIL TUBING ASSY (M3, M4)	M6 - FXTQ18TAVJUDAA
171	0270A01159	COIL TUBING ASSY (M5, M6)	M7 - FXTQ24TAVJUAAA
171	0270A01160	COIL TUBING ASSY (M7, M8)	M8 - FXTQ24TAVJUDAA
171	0270A01161	COIL TUBING ASSY (M9, M10)	M9 - FXTQ30TAVJUAAA
171	0270A01162	COIL TUBING ASSY (M13, M14)	M10 - FXTQ30TAVJUDAA
171	0270A01196	COIL TUBING ASSY (M11, M12)	M11 - FXTQ36TAVJUAAA
171	0270A01197	COIL TUBING ASSY (M15, M16)	M12 - FXTQ36TAVJUDAA
171	0270A01206	COIL TUBING ASSY (M17, M18, M19, M20)	M13 - FXTQ42TAVJUAAA
181	0161A00060	CONDENSATE, COLLECT, FRONT	M14 - FXTQ42TAVJUDAA
191	0161A00061	CONDENSATE, COLLECT, BACK	M15 - FXTQ48TAVJUAAA
201	0161A00053	DRAIN PAN HORIZONTAL, TALL (M13, M14, M15, M16, M17, M18, M19, M20)	M16 - FXTQ48TAVJUDAA
201	0161A00055	DRAIN PAN HORIZONTAL, SMALL (M1, M2, M3, M4, M5, M6, M7, M8, M9, M10, M11, M12)	M17 - FXTQ54TAVJUAAA
211	0161A00054	DRAIN PAN, EXTENSION, SMALL (M1, M2, M3, M4, M5, M6, M7, M8, M9, M10, M11, M12, M13, M14, M15, M16)	M18 - FXTQ54TAVJUDAA
211	0161A00056	DRAIN PAN, EXTENSION, TALL (M17, M18, M19, M20)	M19 - FXTQ60TAVJUAAA
231	0121A00357	BRACKET, DRIP SHIELD (M13, M14, M15, M16)	M20 - FXTQ60TAVJUDAA
231	0121A00358	BRACKET, DRIP SHIELD (M1, M2, M3, M4, M5, M6)	
231	0121A00633	BRACKET, DRIP SHIELD (M7, M8, M9, M10, M11, M12)	
231	0121A00634	BRACKET, DRIP SHIELD (M17, M18, M19, M20)	
241	0154A00016	GASKET, PORON	
281	4P419914-1	THERMISTOR ASSY	
291	4PA38890-1	MOUNTING SPRING, THERMISTOR	
301	3P381420-2	EEV COIL	
311	4P399446-1	WATERPROOF CAP	
NS	0163M00175	CAP WITH O-RING	
NS	0154A00006BL	Gasket, Drain Pan	
NS	0154A00007BL	Gasket, Drain Pan	
NS	3S500048-1	PULSE MOTOR EXPANS EEV (M1, M2)	
NS	3S500049-1	PULSE MOTOR EXPANS EEV (M3, M4)	
NS	3S500050-1	PULSE MOTOR EXPANS EEV (M5, M6)	
NS	3S500051-1	PULSE MOTOR EXPANS EEV (M7, M8)	
NS	3S500052-1	PULSE MOTOR EXPANS EEV (M9, M10)	
NS	3S500053-1	PULSE MOTOR EXPANS EEV (M11, M12, M13, M14)	
NS	3S500054-1	PULSE MOTOR EXPANS EEV (M15, M16, M17, M18, M19, M20)	
NS	0259A00024	WIRE HARNESS ASSY	
NS	0259A00025	WIRE HARNESS ASSY	

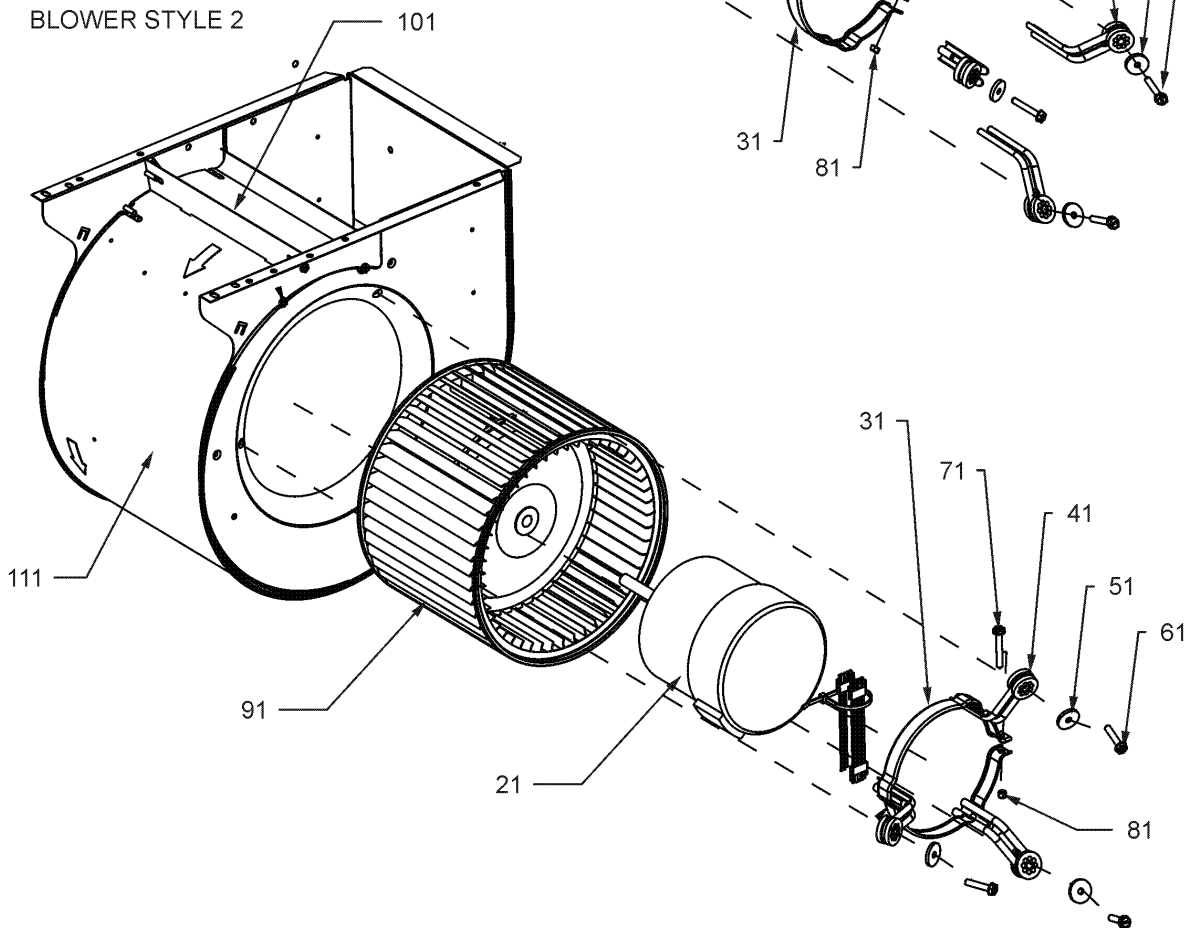
Blower Assy

BLOWER STYLE 1

*If end bells are needed please order the following:
0131M00182 - 1/2 HP
0131M00183 - 3/4 HP
0131M00184 - 1 HP



BLOWER STYLE 2



Blower Assy

Ref. Part No:	Part No:	Description:	Ref. Part No:	Part No:	Description:
<i>Image 1:</i>					
21	0131M00272	MOTOR, 1 HP, SERIAL ECM (M17, M18, M19, M20)			
21	0131M00270	MOTOR, 1/2 HP, SERIAL ECM (M1, M2, M3, M4, M5, M6, M7, M8, M9, M10, M11, M12)			
21	0131M00271	MOTOR, 3/4 HP, SERIAL ECM (M13, M14, M15, M16)			
31	0121M00038	MOTOR MOUNT BAND (M1, M2, M3, M4, M5, M6, M7, M8, M9, M10, M11, M12, M13, M14, M15, M16)			
31	0121M00039	MOTOR MOUNT BAND (HEAVY DUTY) (M17, M18, M19, M20)			
41	B1376853	MOTOR MOUNT ARM (M13, M14, M15, M16)			
41	B1376861	MOTOR MOUNT ARM (M1, M2, M3, M4, M5, M6, M7, M8, M9, M10, M11, M12)			
41	B1376863	MOTOR MOUNT ARM (HEAVY DUTY) (M17, M18, M19, M20)			
51	B1392918	WASHER, FLAT 1/4 ID X 1 OD (QTY 3)			
61	M0250565	TC SCREW 1.25" (QTY 3)			
71	0163M00320	HEX HED ALL THREAD TAP BOLT			
81	B1393800	LOCKNUT, NYLON, INSERT 1/4, 20			
91	B1368058	BLOWER WHEEL 10 X 8 (M13, M14, M15, M16)			
101	764740	BLOWER BLOCK-OFF 10 X 8 (M13, M14, M15, M16)			
111	0271A00029	BLOWER HOUSING ASSY 10 X 8 (M13, M14, M15, M16)			
111	0271A00206	BLOWER SHELL ASSY (M17, M18, M19, M20)			
111	0271A00299	BLOWER SHELL ASSY 9X6, MORRISON (M1, M2, M3, M4, M5, M6, M7, M8, M9, M10, M11, M12)			
NS	0259M00008	WIRE HARNESS			

Expanded Model Nomenclature

M1 - FXTQ09TAVJUAAA
M2 - FXTQ09TAVJUDAA
M3 - FXTQ12TAVJUAAA
M4 - FXTQ12TAVJUDAA
M5 - FXTQ18TAVJUAAA
M6 - FXTQ18TAVJUDAA
M7 - FXTQ24TAVJUAAA
M8 - FXTQ24TAVJUDAA
M9 - FXTQ30TAVJUAAA
M10 - FXTQ30TAVJUDAA
M11 - FXTQ36TAVJUAAA
M12 - FXTQ36TAVJUDAA
M13 - FXTQ42TAVJUAAA
M14 - FXTQ42TAVJUDAA
M15 - FXTQ48TAVJUAAA
M16 - FXTQ48TAVJUDAA
M17 - FXTQ54TAVJUAAA
M18 - FXTQ54TAVJUDAA
M19 - FXTQ60TAVJUAAA
M20 - FXTQ60TAVJUDAA