
FXSQTAVJU Medium Static Indoor Ducted Units**

FXSQ05TAVJU
FXSQ07TAVJU
FXSQ09TAVJU
FXSQ12TAVJU
FXSQ15TAVJU
FXSQ18TAVJU
FXSQ24TAVJU
FXSQ30TAVJU
FXSQ36TAVJU
FXSQ48TAVJU
FXSQ54TAVJU



This manual is to be used by qualified technicians only.

Important Information

Index

Functional Parts List	3
Illustration and Parts	4 - 13

Views shown are for parts illustrations only, not servicing procedures.

Text Codes:

AR - As Required

NA - Not Available

NS - Not Shown

00000000 - See Note

QTY - Quantity Example (QTY 3) (If Quantity not shown, Quantity = 1)

M - Model Example (M1) (If M Code not shown, then part is used on all Models)

Expanded Model Nomenclature:

Example M1 - Model#1 M2 - Model#2 M3 - Model#3

Daikin Manufacturing Company, L.P. is not responsible for personal injury or property damage resulting from improper service. Review all service information before beginning repairs.

Warranty service must be performed by an authorized technician, using authorized factory parts. If service is required after the warranty expires, Daikin Manufacturing Company, L.P. also recommends contacting an authorized technician and using authorized factory parts.

Daikin Manufacturing Company, L.P. reserves the right to discontinue, or change at any time, specifications or designs without notice or without incurring obligations.

For assistance within the U.S.A. contact:

Homeowner Support
Daikin North America, LLC
19001 Kermier Road
Waller, Texas 77484
855-770-5678-Telephone
713-863-2382-Facsimile

For assistance outside the U.S.A. contact:

International Division
Daikin North America, LLC
19001 Kermier Road
Waller, Texas 77484
713-861-2500-Telephone
713-863-2382-Facsimile

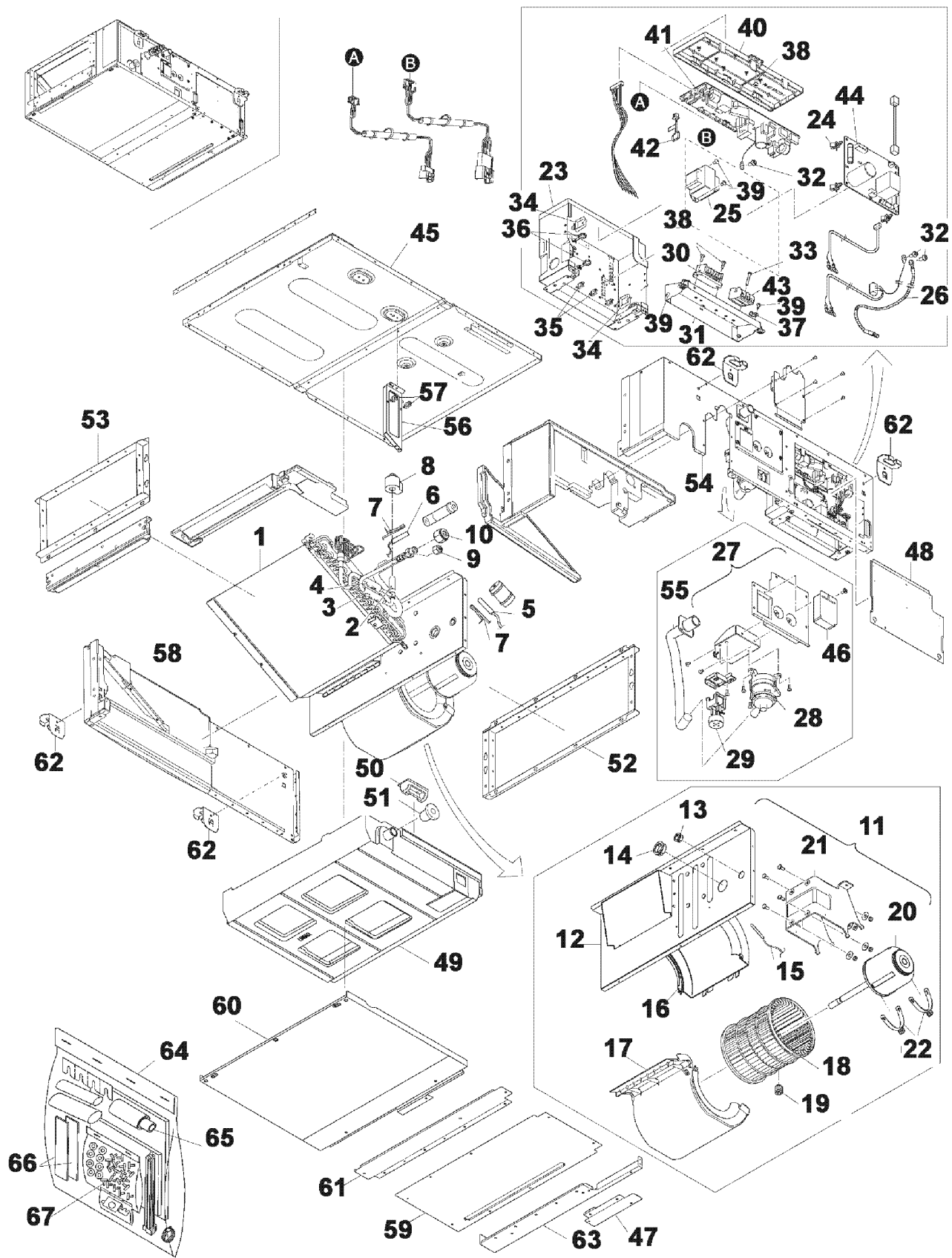
Functional Parts

Part No: **Description:**

4018537	BODY/ ELECTRONIC EXP. VALVE (M8)
4015739	BODY/ ELECTRONIC EXP. VALVE (M5)
4015738	BODY/ ELECTRONIC EXP. VALVE (M1, M2, M3)
2371955	BODY/ ELECTRONIC EXP. VALVE (M11)
2214021	BODY/ ELECTRONIC EXP. VALVE (M6)
4015739	BODY/ ELECTRONIC EXP. VALVE (M4)
4018534	BODY/ ELECTRONIC EXP. VALVE (M9, M10)
2214038	BODY/ ELECTRONIC EXP. VALVE (M7)
064060J	CAPACITY SETTING ADAPTOR (M6)
065331J	CAPACITY SETTING ADAPTOR (M2, M3, M4)
065336J	CAPACITY SETTING ADAPTOR (M7)
065337J	CAPACITY SETTING ADAPTOR (M9)
066965J	CAPACITY SETTING ADAPTOR (M8)
065338J	CAPACITY SETTING ADAPTOR (M10)
065339J	CAPACITY SETTING ADAPTOR (M11)
065340J	CAPACITY SETTING ADAPTOR (M5)
4015741	COIL/ ELECTRONIC EXP. VALVE
2258160	DC FAN MOTOR (M9, M10)
4015745	DC FAN MOTOR (M1, M2, M3, M4)
2258146	DC FAN MOTOR (M5)
4016361	DC FAN MOTOR (M11)
2258153	DC FAN MOTOR (M6, M7, M8)
2261089	DRAIN PUMP
2261096	FLOAT SWITCH ASSY.
2397856	HEAT EXCHANGER ASSY. (M5)
2397919	HEAT EXCHANGER ASSY. (M9)
2397793	HEAT EXCHANGER ASSY. (M1, M2, M3)
2397801	HEAT EXCHANGER ASSY. (M4)
2397933	HEAT EXCHANGER ASSY. (M11)
2397870	HEAT EXCHANGER ASSY. (M6)
2397863	HEAT EXCHANGER ASSY. (M8)
2397887	HEAT EXCHANGER ASSY. (M7)
2397902	HEAT EXCHANGER ASSY. (M10)
2397894	PRINTED CIRCUIT ASSY. (M6, M7, M8)
2392976	PRINTED CIRCUIT ASSY. (M5)
2393032	PRINTED CIRCUIT ASSY. (M6, M7, M8)
2397825	PRINTED CIRCUIT ASSY. (M1)
2397832	PRINTED CIRCUIT ASSY. (M2, M3, M4, M5, M9, M10, M11)
2397849	PRINTED CIRCUIT ASSY. (M1, M2, M3, M4)
2397926	PRINTED CIRCUIT ASSY. (M9, M10)
4016365	PRINTED CIRCUIT ASSY. (FAN) (M11)
2397940	REACTOR (M11)
4015730	REACTOR (M6, M7, M8, M9, M10)
4015749	REACTOR (M1, M2, M3, M4, M5)
2395519	TERMINAL BLOCK
2258247	THERMISTOR (HEAT EXCHANGER)
4015740	THERMISTOR (HEAT EXCHANGER)
2258261	THERMISTOR (SUCTION AIR)

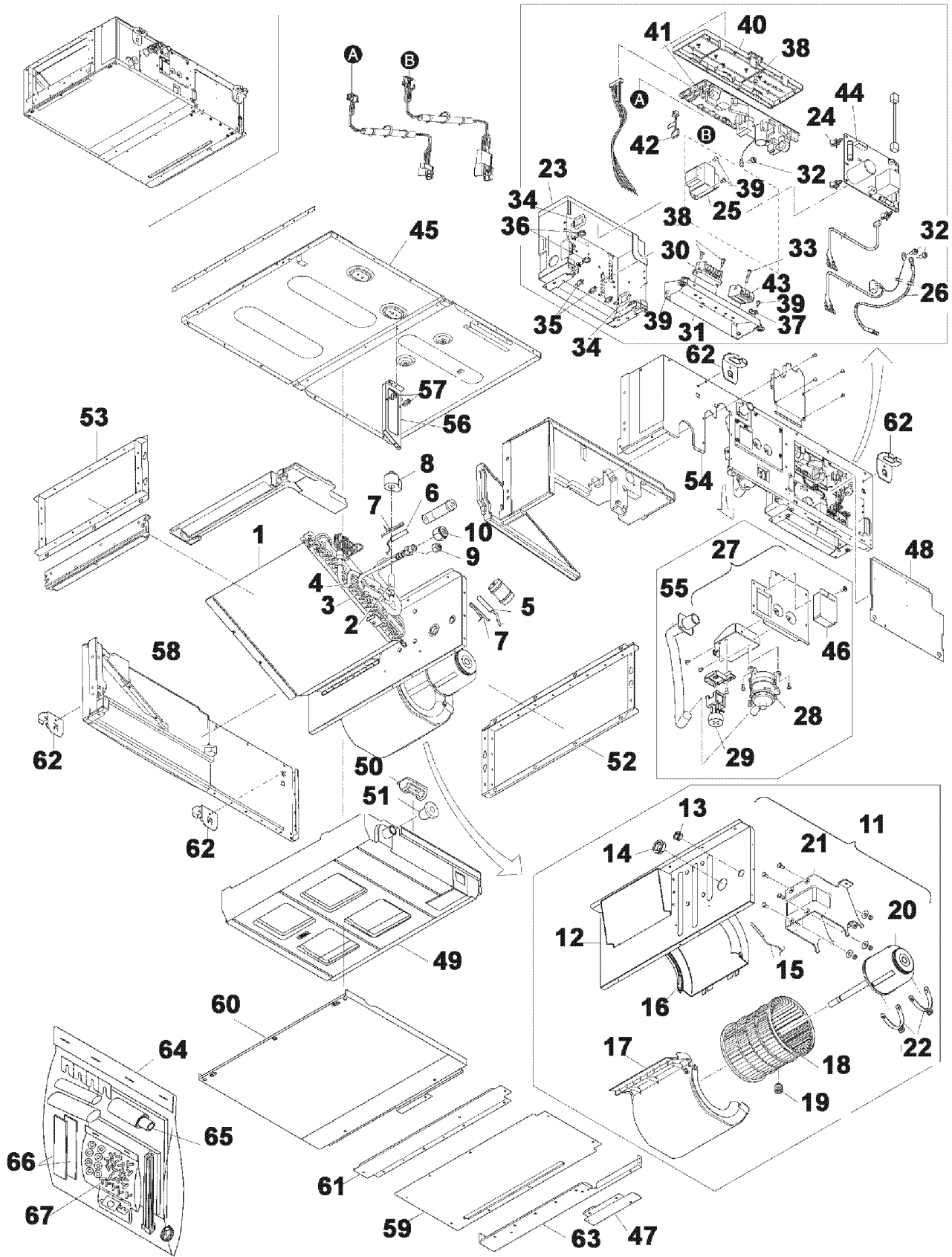
Expanded Model Nomenclature

M1 - FXSQ05TAVJU
M2 - FXSQ07TAVJU
M3 - FXSQ09TAVJU
M4 - FXSQ12TAVJU
M5 - FXSQ15TAVJU
M6 - FXSQ18TAVJU
M7 - FXSQ24TAVJU
M8 - FXSQ30TAVJU
M9 - FXSQ36TAVJU
M10 - FXSQ48TAVJU
M11 - FXSQ54TAVJU

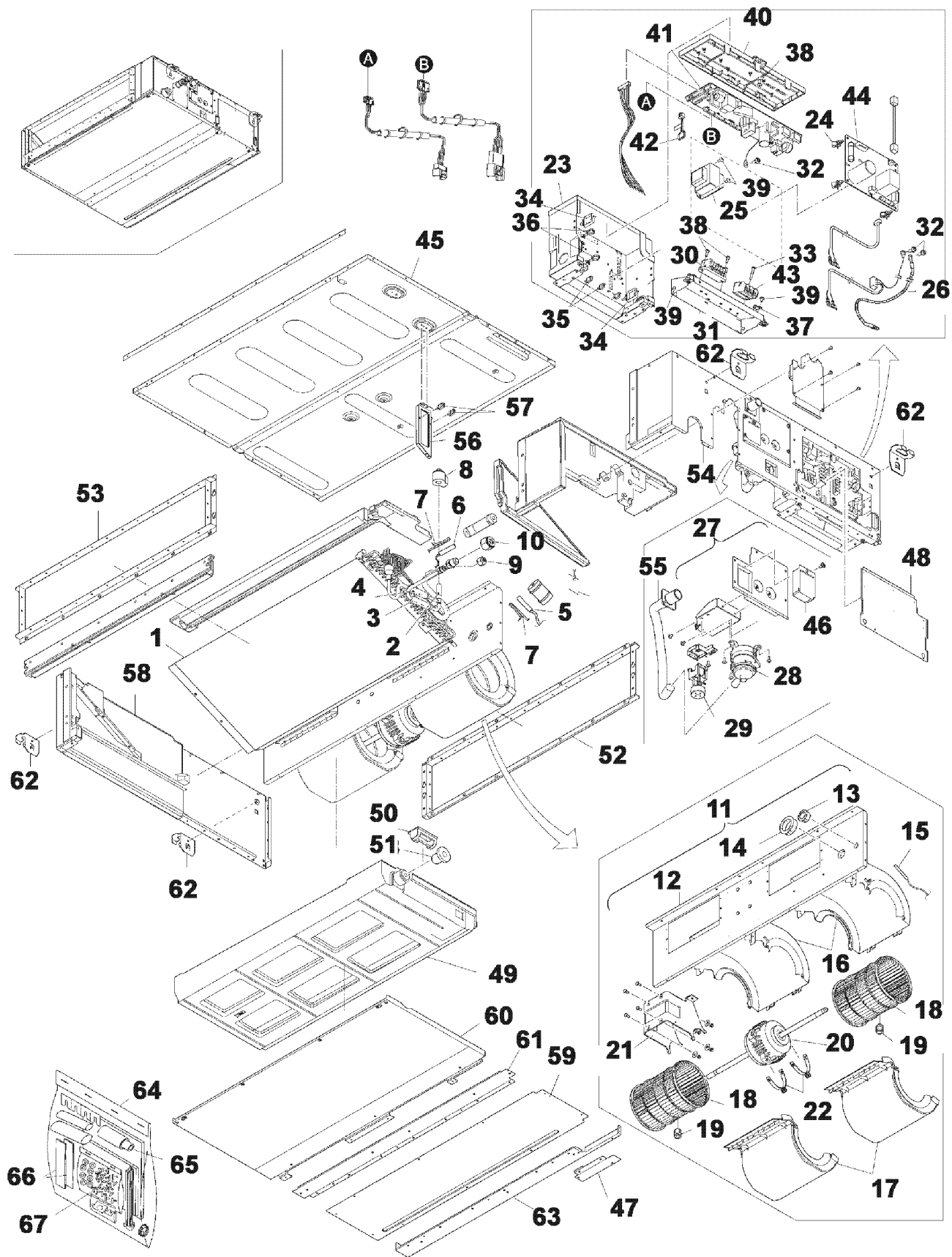


Ref. Part No: No:	Description:	Ref. Part No: No:	Description:											
Image 1:		Image 1:												
1	2397793 HEAT EXCHANGER ASSY. (M1, M2, M3)	50	1985421 ANTI-BACTERIAL AGENTS ASSY. (M1, M2, M3, M4)											
1	2397801 HEAT EXCHANGER ASSY. (M4)	51	537994J CAP/ DRAIN SOCKET (M1, M2, M3, M4)											
2	4015738 BODY/ ELECTRONIC EXP. VALVE (M1, M2, M3)	52	4015756 AIR INLET FLANGE ASSY. (M1, M2, M3, M4)											
2	4015739 BODY/ ELECTRONIC EXP. VALVE (M4)	53	4015757 AIR OUTLET FLANGE ASSY. (M1, M2, M3, M4)											
3	2141635 REFRIGERANT FILTER (M1, M2, M3, M4)	54	2261135 SIDE PLATE (RIGHT) (M1, M2, M3, M4)											
4	2141642 REFRIGERANT FILTER (M1, M2, M3, M4)	55	2261281 DRAIN HOSE ASSY. (M1, M2, M3, M4)											
5	2258247 THERMISTOR (HEAT EXCHANGER) (M1, M2, M3, M4)	56	NA MOUNTING PLATE (M1, M2, M3, M4)											
6	4015740 THERMISTOR (HEAT EXCHANGER) (M1, M2, M3, M4)	57	027843J WIRE CLIP (M1, M2, M3, M4)											
7	007432J RETAINER/ THERMISTOR CLAMP (M1, M2, M3, M4)	58	2261142 SIDE PLATE (LEFT) (M1, M2, M3, M4)											
8	4015741 COIL/ ELECTRONIC EXP. VALVE (M1, M2, M3, M4)	59	4015751 CHAMBER COVER (M1, M2, M3, M4)											
9	1723546 FLARE NUT (M1, M2, M3, M4)	60	4015752 BOTTOM PLATE (M1, M2, M3, M4)											
10	119849J FLARE NUT (M1, M2, M3, M4)	61	4015753 BOTTOM PLATE (3) (M1, M2, M3, M4)											
11	2397818 SIROCCO FAN ASSY. (M1, M2, M3, M4)	62	2261180 HOOK (M1, M2, M3, M4)											
12	4015742 FAN TOP PLATE ASSY. (M1, M2, M3, M4)	63	4015754 BOTTOM FRAME (M1, M2, M3, M4)											
13	170618J BUSHING (LOW VOLTAGE) (M1, M2, M3, M4)	64	NA ACCESSORIES ASSY. (1) (M1, M2, M3, M4)											
14	144573J BUSHING (LOW VOLTAGE) (M1, M2, M3, M4)	65	152134J DRAIN HOSE (M1, M2, M3, M4)											
15	2258261 THERMISTOR (SUCTION AIR) (M1, M2, M3, M4)	66	2261298 SEALING MATERIAL (M1, M2, M3, M4)											
16	4015743 FAN HOUSING (UPPER) (M1, M2, M3, M4)	67	NA HEX. TAPPING SCREW (M1, M2, M3, M4)											
17	4015744 FAN HOUSING (LOWER) (M1, M2, M3, M4)	Expanded Model Nomenclature												
18	1863723 SIROCCO ROTOR ASSY. (M1, M2, M3, M4)	<table border="1"> <tr><td>M1 - FXSQ05TAVJU</td></tr> <tr><td>M2 - FXSQ07TAVJU</td></tr> <tr><td>M3 - FXSQ09TAVJU</td></tr> <tr><td>M4 - FXSQ12TAVJU</td></tr> <tr><td>M5 - FXSQ15TAVJU</td></tr> <tr><td>M6 - FXSQ18TAVJU</td></tr> <tr><td>M7 - FXSQ24TAVJU</td></tr> <tr><td>M8 - FXSQ30TAVJU</td></tr> <tr><td>M9 - FXSQ36TAVJU</td></tr> <tr><td>M10 - FXSQ48TAVJU</td></tr> <tr><td>M11 - FXSQ54TAVJU</td></tr> </table>		M1 - FXSQ05TAVJU	M2 - FXSQ07TAVJU	M3 - FXSQ09TAVJU	M4 - FXSQ12TAVJU	M5 - FXSQ15TAVJU	M6 - FXSQ18TAVJU	M7 - FXSQ24TAVJU	M8 - FXSQ30TAVJU	M9 - FXSQ36TAVJU	M10 - FXSQ48TAVJU	M11 - FXSQ54TAVJU
M1 - FXSQ05TAVJU														
M2 - FXSQ07TAVJU														
M3 - FXSQ09TAVJU														
M4 - FXSQ12TAVJU														
M5 - FXSQ15TAVJU														
M6 - FXSQ18TAVJU														
M7 - FXSQ24TAVJU														
M8 - FXSQ30TAVJU														
M9 - FXSQ36TAVJU														
M10 - FXSQ48TAVJU														
M11 - FXSQ54TAVJU														
19	011582J HEX. SOCKET SCREW (M1, M2, M3, M4)													
20	4015745 DC FAN MOTOR (M1, M2, M3, M4)													
21	4015746 MOTOR BASE (M1, M2, M3, M4)													
22	4007850 MOTOR FIXING PLATE (M1, M2, M3, M4)													
23	NA SWITCH BOX ASSY. (M1, M2, M3, M4)													
24	380402J LOCKING CARD SPACER (M1, M2, M3, M4)													
25	4015749 REACTOR (M1, M2, M3, M4)													
26	2261072 EARTH WIRE (M1, M2, M3, M4)													
27	NA SERVICE LID ASSY. (M1, M2, M3, M4)													
28	2261089 DRAIN PUMP (M1, M2, M3, M4)													
29	2261096 FLOAT SWITCH ASSY. (M1, M2, M3, M4)													
30	2002033 TERMINAL BLOCK (REMOTE CONTROLLER) (M1, M2, M3, M4)													
31	2374668 SET PLATE/ IMPLEMENT USE (4) (M1, M2, M3, M4)													
32	NA TAPPING SCREW (M1, M2, M3, M4)													
33	NA PAN HEAD TAPPING SCREW (M1, M2, M3, M4)													
34	352004 WIRE CLIP (M1, M2, M3, M4)													
35	027843J WIRE CLIP (M1, M2, M3, M4)													
36	1855164 HARNESS LIFT (M1, M2, M3, M4)													
37	081675J LATCH (M1, M2, M3, M4)													
38	NA TRUSS HEAD TAPPING SCREW (M1, M2, M3, M4)													
39	NA CROSS-RECESSED TAPPING SCREW (M1, M2, M3, M4)													
40	2374675 RESIN CASE (M1, M2, M3, M4)													
41	2397825 PRINTED CIRCUIT ASSY. (M1)													
41	2397832 PRINTED CIRCUIT ASSY. (M2, M3, M4)													
42	065331J CAPACITY SETTING ADAPTOR (M2, M3, M4)													
43	2395519 TERMINAL BLOCK (M1, M2, M3, M4)													
44	2397849 PRINTED CIRCUIT ASSY. (M1, M2, M3, M4)													
45	4015750 TOP PLATE ASSY. (M1, M2, M3, M4)													
46	2261205 COVER/ INSPECTION HATCH (M1, M2, M3, M4)													
47	4015767 BOTTOM PLATE (4) (M1, M2, M3, M4)													
48	2261229 COVER/ SWITCH BOX (M1, M2, M3, M4)													
49	4015755 DRAIN PAN ASSY. (M1, M2, M3, M4)													

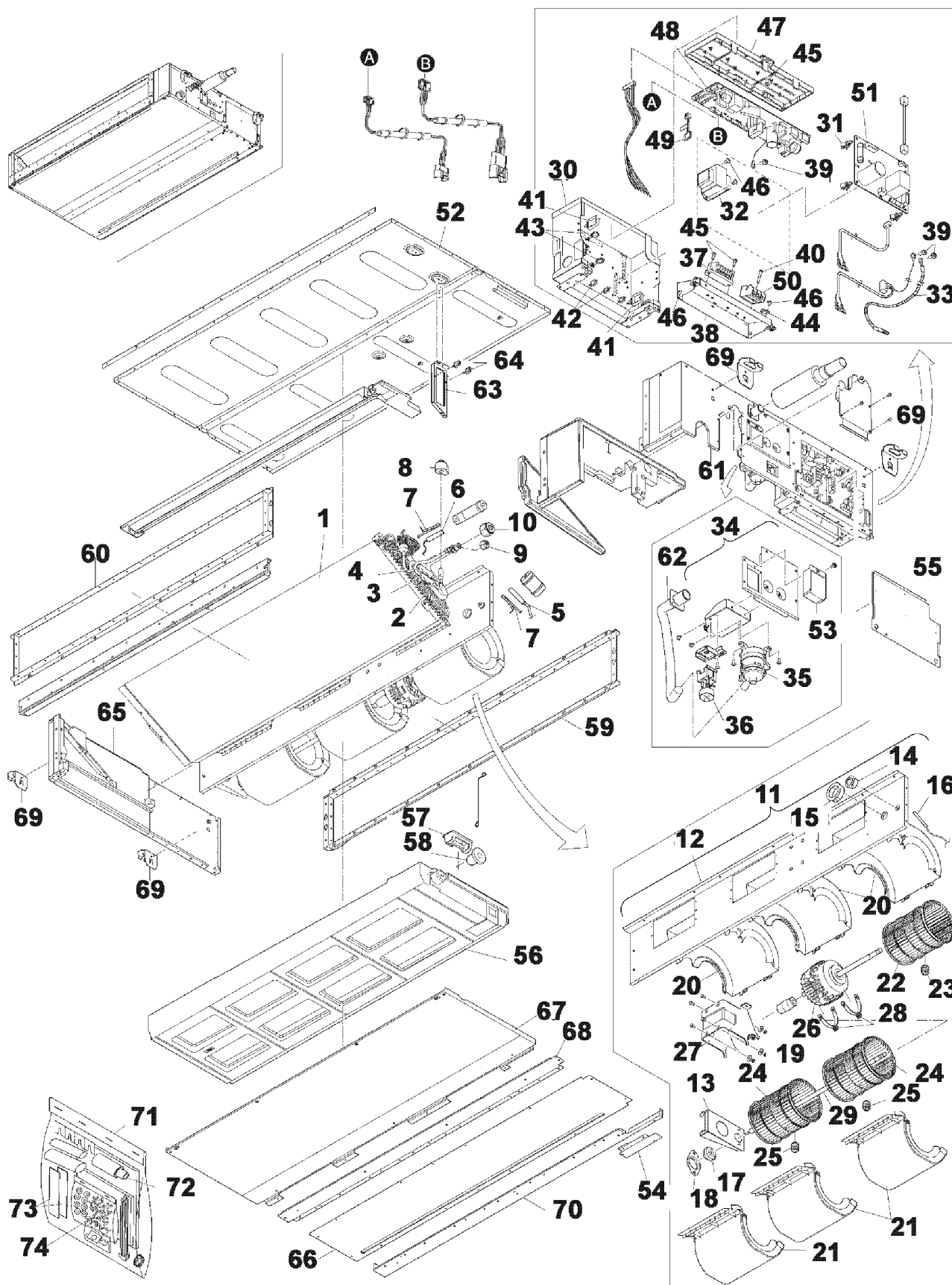
FXSQ15TAVJU



Ref. Part No: No:	Description:	Ref. Part No: No:	Description:													
Image 1:		Image 1:														
1	2397856	HEAT EXCHANGER ASSY. (M5)	60	2261166	BOTTOM PLATE (M5)											
2	4015739	BODY/ ELECTRONIC EXP. VALVE (M5)	61	2261173	BOTTOM PLATE (3) (M5)											
3	2141635	REFRIGERANT FILTER (M5)	62	2261180	HOOK (M5)											
4	2141642	REFRIGERANT FILTER (M5)	63	2261197	BOTTOM FRAME (M5)											
5	2258247	THERMISTOR (HEAT EXCHANGER) (M5)	64	NA	ACCESSORIES ASSY. (1) (M5)											
6	4015740	THERMISTOR (HEAT EXCHANGER) (M5)	65	152134J	DRAIN HOSE (M5)											
7	007432J	RETAINER/ THERMISTOR CLAMP (M5)	66	2261298	SEALING MATERIAL (M5)											
8	4015741	COIL/ ELECTRONIC EXP. VALVE (M5)	67	NA	HEX. TAPPING SCREW (M5)											
9	1723546	FLARE NUT (M5)	Expanded Model Nomenclature													
10	119849J	FLARE NUT (M5)	<table border="1"> <tr> <td>M1 - FXSQ05TAVJU</td> </tr> <tr> <td>M2 - FXSQ07TAVJU</td> </tr> <tr> <td>M3 - FXSQ09TAVJU</td> </tr> <tr> <td>M4 - FXSQ12TAVJU</td> </tr> <tr> <td>M5 - FXSQ15TAVJU</td> </tr> <tr> <td>M6 - FXSQ18TAVJU</td> </tr> <tr> <td>M7 - FXSQ24TAVJU</td> </tr> <tr> <td>M8 - FXSQ30TAVJU</td> </tr> <tr> <td>M9 - FXSQ36TAVJU</td> </tr> <tr> <td>M10 - FXSQ48TAVJU</td> </tr> <tr> <td>M11 - FXSQ54TAVJU</td> </tr> </table>			M1 - FXSQ05TAVJU	M2 - FXSQ07TAVJU	M3 - FXSQ09TAVJU	M4 - FXSQ12TAVJU	M5 - FXSQ15TAVJU	M6 - FXSQ18TAVJU	M7 - FXSQ24TAVJU	M8 - FXSQ30TAVJU	M9 - FXSQ36TAVJU	M10 - FXSQ48TAVJU	M11 - FXSQ54TAVJU
M1 - FXSQ05TAVJU																
M2 - FXSQ07TAVJU																
M3 - FXSQ09TAVJU																
M4 - FXSQ12TAVJU																
M5 - FXSQ15TAVJU																
M6 - FXSQ18TAVJU																
M7 - FXSQ24TAVJU																
M8 - FXSQ30TAVJU																
M9 - FXSQ36TAVJU																
M10 - FXSQ48TAVJU																
M11 - FXSQ54TAVJU																
11	NA	SIROCCO FAN ASSY. (M5)														
12	2261027	FAN TOP PLATE ASSY. (M5)														
13	170618J	BUSHING (LOW VOLTAGE) (M5)														
14	144573J	BUSHING (LOW VOLTAGE) (M5)														
15	2258261	THERMISTOR (SUCTION AIR) (M5)														
16	2261034	FAN HOUSING (UPPER) (M5)														
17	2261041	FAN HOUSING (LOWER) (M5)														
18	1863716	SIROCCO ROTOR ASSY. (M5)														
19	011582J	HEX. SOCKET SCREW (M5)														
20	2258146	DC FAN MOTOR (M5)														
21	2261058	MOTOR BASE (M5)														
22	4007850	MOTOR FIXING PLATE (M5)														
23	NA	SWITCH BOX ASSY. (M5)														
24	380402J	LOCKING CARD SPACER (M5)														
25	4015749	REACTOR (M5)														
26	2261072	EARTH WIRE (M5)														
27	NA	SERVICE LID ASSY. (M5)														
28	2261089	DRAIN PUMP (M5)														
29	2261096	FLOAT SWITCH ASSY. (M5)														
30	2002033	TERMINAL BLOCK (REMOTE CONTROLLER) (M5)														
31	2374668	SET PLATE/ IMPLEMENT USE (4) (M5)														
32	NA	TAPPING SCREW (M5)														
33	NA	PAN HEAD TAPPING SCREW (M5)														
34	352004	WIRE CLIP (M5)														
35	027843J	WIRE CLIP (M5)														
36	1855164	HARNESS LIFT (M5)														
37	081675J	LATCH (M5)														
38	NA	TRUSS HEAD TAPPING SCREW (M5)														
39	NA	CROSS-RECESSED TAPPING SCREW (M5)														
40	2374675	RESIN CASE (M5)														
41	2397832	PRINTED CIRCUIT ASSY. (M5)														
42	065340J	CAPACITY SETTING ADAPTOR (M5)														
43	2395519	TERMINAL BLOCK (M5)														
44	2392976	PRINTED CIRCUIT ASSY. (M5)														
45	2261128	TOP PLATE ASSY. (M5)														
46	2261205	COVER/ INSPECTION HATCH (M5)														
47	4015767	BOTTOM PLATE (4) (M5)														
48	2261229	COVER/ SWITCH BOX (M5)														
49	2258191	DRAIN PAN ASSY. (M5)														
50	1985421	ANTI-BACTERIAL AGENTS ASSY. (M5)														
51	537994J	CAP/ DRAIN SOCKET (M5)														
52	2261236	AIR INLET FLANGE ASSY. (M5)														
53	2261243	AIR OUTLET FLANGE ASSY. (M5)														
54	2261135	SIDE PLATE (RIGHT) (M5)														
55	2261281	DRAIN HOSE ASSY. (M5)														
56	NA	MOUNTING PLATE (M5)														
57	027843J	WIRE CLIP (M5)														
58	2261142	SIDE PLATE (LEFT) (M5)														
59	2261159	CHAMBER COVER (M5)														



Ref. Part No: No:	Description:	Ref. Part No: No:	Description:											
Image 1:		Image 1:												
1	2397863	50	1985421											
	HEAT EXCHANGER ASSY. (M8)		ANTI-BACTERIAL AGENTS ASSY. (M6, M7, M8)											
1	2397870	51	537994J											
	HEAT EXCHANGER ASSY. (M6)		CAP/ DRAIN SOCKET (M6, M7, M8)											
1	2397887	52	2261560											
	HEAT EXCHANGER ASSY. (M7)		AIR INLET FLANGE ASSY. (M6, M7, M8)											
2	2214021	53	2261577											
	BODY/ ELECTRONIC EXP. VALVE (M6)		AIR OUTLET FLANGE ASSY. (M6, M7, M8)											
2	2214038	54	2261135											
	BODY/ ELECTRONIC EXP. VALVE (M7)		SIDE PLATE (RIGHT) (M6, M7, M8)											
2	4018537	55	2261281											
	BODY/ ELECTRONIC EXP. VALVE (M8)		DRAIN HOSE ASSY. (M6, M7, M8)											
3	2141635	56	NA											
	REFRIGERANT FILTER (M6, M7, M8)		MOUNTING PLATE (M6, M7, M8)											
4	2141642	57	027843J											
	REFRIGERANT FILTER (M6, M7, M8)		WIRE CLIP (M6, M7, M8)											
5	2258247	58	2261142											
	THERMISTOR (HEAT EXCHANGER) (M6, M7, M8)		SIDE PLATE (LEFT) (M6, M7, M8)											
6	4015740	59	2261337											
	THERMISTOR (HEAT EXCHANGER) (M6, M7, M8)		CHAMBER COVER (M6, M7, M8)											
7	007432J	60	2261344											
	RETAINER/ THERMISTOR CLAMP (M6, M7, M8)		BOTTOM PLATE (M6, M7, M8)											
8	4015741	61	2261351											
	COIL/ ELECTRONIC EXP. VALVE (M6, M7, M8)		BOTTOM PLATE (3) (M6, M7, M8)											
9	119848J	62	2261180											
	FLARE NUT (M7, M8)		HOOK (M6, M7, M8)											
9	1723546	63	2261553											
	FLARE NUT (M6)		BOTTOM FRAME (M6, M7, M8)											
10	119849J	64	NA											
	FLARE NUT (M6)		ACCESSORIES ASSY. (1) (M6, M7, M8)											
10	119850J	65	152134J											
	FLARE NUT (M7, M8)		DRAIN HOSE (M6, M7, M8)											
11	NA	66	2261298											
	SIROCCO FAN ASSY. (M6, M7, M8)		SEALING MATERIAL (M6, M7, M8)											
12	2261313	67	NA											
	FAN TOP PLATE ASSY. (M6, M7, M8)		HEX. TAPPING SCREW (M6, M7, M8)											
13	170618J	Expanded Model Nomenclature												
	BUSHING (LOW VOLTAGE) (M6, M7, M8)	<table border="1"> <tr><td>M1 - FXSQ05TAVJU</td></tr> <tr><td>M2 - FXSQ07TAVJU</td></tr> <tr><td>M3 - FXSQ09TAVJU</td></tr> <tr><td>M4 - FXSQ12TAVJU</td></tr> <tr><td>M5 - FXSQ15TAVJU</td></tr> <tr><td>M6 - FXSQ18TAVJU</td></tr> <tr><td>M7 - FXSQ24TAVJU</td></tr> <tr><td>M8 - FXSQ30TAVJU</td></tr> <tr><td>M9 - FXSQ36TAVJU</td></tr> <tr><td>M10 - FXSQ48TAVJU</td></tr> <tr><td>M11 - FXSQ54TAVJU</td></tr> </table>		M1 - FXSQ05TAVJU	M2 - FXSQ07TAVJU	M3 - FXSQ09TAVJU	M4 - FXSQ12TAVJU	M5 - FXSQ15TAVJU	M6 - FXSQ18TAVJU	M7 - FXSQ24TAVJU	M8 - FXSQ30TAVJU	M9 - FXSQ36TAVJU	M10 - FXSQ48TAVJU	M11 - FXSQ54TAVJU
M1 - FXSQ05TAVJU														
M2 - FXSQ07TAVJU														
M3 - FXSQ09TAVJU														
M4 - FXSQ12TAVJU														
M5 - FXSQ15TAVJU														
M6 - FXSQ18TAVJU														
M7 - FXSQ24TAVJU														
M8 - FXSQ30TAVJU														
M9 - FXSQ36TAVJU														
M10 - FXSQ48TAVJU														
M11 - FXSQ54TAVJU														
14	144573J													
	BUSHING (LOW VOLTAGE) (M6, M7, M8)													
15	2258261													
	THERMISTOR (SUCTION AIR) (M6, M7, M8)													
16	2261034													
	FAN HOUSING (UPPER) (M6, M7, M8)													
17	2261041													
	FAN HOUSING (LOWER) (M6, M7, M8)													
18	1863716													
	SIROCCO ROTOR ASSY. (M6, M7, M8)													
19	011582J													
	HEX. SOCKET SCREW (M6, M7, M8)													
20	2258153													
	DC FAN MOTOR (M6, M7, M8)													
21	2261058													
	MOTOR BASE (M6, M7, M8)													
22	4007850													
	MOTOR FIXING PLATE (M6, M7, M8)													
23	NA													
	SWITCH BOX ASSY. (M6, M7, M8)													
24	380402J													
	LOCKING CARD SPACER (M6, M7, M8)													
25	4015730													
	REACTOR (M6, M7, M8)													
26	2261072													
	EARTH WIRE (M6, M7, M8)													
27	NA													
	SERVICE LID ASSY. (M6, M7, M8)													
28	2261089													
	DRAIN PUMP (M6, M7, M8)													
29	2261096													
	FLOAT SWITCH ASSY. (M6, M7, M8)													
30	2002033													
	TERMINAL BLOCK (REMOTE CONTROLLER) (M6, M7, M8)													
31	2374668													
	SET PLATE/ IMPLEMENT USE (4) (M6, M7, M8)													
32	NA													
	TAPPING SCREW (M6, M7, M8)													
33	NA													
	PAN HEAD TAPPING SCREW (M6, M7, M8)													
34	352004													
	WIRE CLIP (M6, M7, M8)													
35	027843J													
	WIRE CLIP (M6, M7, M8)													
36	1855164													
	HARNESS LIFT (M6, M7, M8)													
37	081675J													
	LATCH (M6, M7, M8)													
38	NA													
	TRUSS HEAD TAPPING SCREW (M6, M7, M8)													
39	NA													
	CROSS-RECESSED TAPPING SCREW (M6, M7, M8)													
40	2374675													
	RESIN CASE (M6, M7, M8)													
41	2397894													
	PRINTED CIRCUIT ASSY. (M6, M7, M8)													
42	064060J													
	CAPACITY SETTING ADAPTOR (M6)													
42	065336J													
	CAPACITY SETTING ADAPTOR (M7)													
42	066965J													
	CAPACITY SETTING ADAPTOR (M8)													
43	2395519													
	TERMINAL BLOCK (M6, M7, M8)													
44	2393032													
	PRINTED CIRCUIT ASSY. (M6, M7, M8)													
45	2261320													
	TOP PLATE ASSY. (M6, M7, M8)													
46	2261205													
	COVER/ INSPECTION HATCH (M6, M7, M8)													
47	4015767													
	BOTTOM PLATE (4) (M6, M7, M8)													
48	2261229													
	COVER/ SWITCH BOX (M6, M7, M8)													
49	2258184													
	DRAIN PAN ASSY. (M6, M7, M8)													



Ref. Part No: No:	Description:	Ref. Part No: No:	Description:											
Image 1:		Image 1:												
1	2397902 HEAT EXCHANGER ASSY. (M10)	57	1985421 ANTI-BACTERIAL AGENTS ASSY. (M9, M10)											
1	2397919 HEAT EXCHANGER ASSY. (M9)	58	537994J CAP/ DRAIN SOCKET (M9, M10)											
2	4018534 BODY/ ELECTRONIC EXP. VALVE (M9, M10)	59	2261685 AIR INLET FLANGE ASSY. (M9, M10)											
3	2141659 REFRIGERANT FILTER (M9, M10)	60	2261692 AIR OUTLET FLANGE ASSY. (M9, M10)											
4	2141666 REFRIGERANT FILTER (M9, M10)	61	2261135 SIDE PLATE (RIGHT) (M9, M10)											
5	2258247 THERMISTOR (HEAT EXCHANGER) (M9, M10)	62	2261281 DRAIN HOSE ASSY. (M9, M10)											
6	4015740 THERMISTOR (HEAT EXCHANGER) (M9, M10)	63	NA MOUNTING PLATE (M9, M10)											
7	007432J RETAINER/ THERMISTOR CLAMP (M9, M10)	64	027843J WIRE CLIP (M9, M10)											
8	4015741 COIL/ ELECTRONIC EXP. VALVE (M9, M10)	65	2261142 SIDE PLATE (LEFT) (M9, M10)											
9	119848J FLARE NUT (M9, M10)	66	2261647 CHAMBER COVER (M9, M10)											
10	119850J FLARE NUT (M9, M10)	67	2261654 BOTTOM PLATE (M9, M10)											
11	NA SIROCCO FAN ASSY. (M9, M10)	68	2261661 BOTTOM PLATE (3) (M9, M10)											
12	2261609 FAN TOP PLATE ASSY. (M9, M10)	69	2261180 HOOK (M9, M10)											
13	1876279 FAN BEARING PLATE (M9, M10)	70	2261678 BOTTOM FRAME (M9, M10)											
14	170618J BUSHING (LOW VOLTAGE) (M9, M10)	71	NA ACCESSORIES ASSY. (1) (M9, M10)											
15	144573J BUSHING (LOW VOLTAGE) (M9, M10)	72	152134J DRAIN HOSE (M9, M10)											
16	2258261 THERMISTOR (SUCTION AIR) (M9, M10)	73	2261298 SEALING MATERIAL (M9, M10)											
17	437008J FAN BEARING (M9, M10)	74	NA HEX. TAPPING SCREW (M9, M10)											
18	443026J MOUNTING PLATE/ FAN BEARING (M9, M10)	Expanded Model Nomenclature												
19	019928J COUPLING/ FAN SHAFT (M9, M10)	<table border="1"> <tr><td>M1 - FXSQ05TAVJU</td></tr> <tr><td>M2 - FXSQ07TAVJU</td></tr> <tr><td>M3 - FXSQ09TAVJU</td></tr> <tr><td>M4 - FXSQ12TAVJU</td></tr> <tr><td>M5 - FXSQ15TAVJU</td></tr> <tr><td>M6 - FXSQ18TAVJU</td></tr> <tr><td>M7 - FXSQ24TAVJU</td></tr> <tr><td>M8 - FXSQ30TAVJU</td></tr> <tr><td>M9 - FXSQ36TAVJU</td></tr> <tr><td>M10 - FXSQ48TAVJU</td></tr> <tr><td>M11 - FXSQ54TAVJU</td></tr> </table>		M1 - FXSQ05TAVJU	M2 - FXSQ07TAVJU	M3 - FXSQ09TAVJU	M4 - FXSQ12TAVJU	M5 - FXSQ15TAVJU	M6 - FXSQ18TAVJU	M7 - FXSQ24TAVJU	M8 - FXSQ30TAVJU	M9 - FXSQ36TAVJU	M10 - FXSQ48TAVJU	M11 - FXSQ54TAVJU
M1 - FXSQ05TAVJU														
M2 - FXSQ07TAVJU														
M3 - FXSQ09TAVJU														
M4 - FXSQ12TAVJU														
M5 - FXSQ15TAVJU														
M6 - FXSQ18TAVJU														
M7 - FXSQ24TAVJU														
M8 - FXSQ30TAVJU														
M9 - FXSQ36TAVJU														
M10 - FXSQ48TAVJU														
M11 - FXSQ54TAVJU														
20	2261034 FAN HOUSING (UPPER) (M9, M10)													
21	2261041 FAN HOUSING (LOWER) (M9, M10)													
22	1863716 SIROCCO ROTOR ASSY. (M9, M10)													
23	011582J HEX. SOCKET SCREW (M9, M10)													
24	2261616 SIROCCO ROTOR ASSY. (M9, M10)													
25	011582J HEX. SOCKET SCREW (M9, M10)													
26	2258160 DC FAN MOTOR (M9, M10)													
27	2261623 MOTOR BASE (M9, M10)													
28	4007850 MOTOR FIXING PLATE (M9, M10)													
29	2270386 FAN SHAFT ASSY. (M9, M10)													
30	NA SWITCH BOX ASSY. (M9, M10)													
31	380402J LOCKING CARD SPACER (M9, M10)													
32	4015730 REACTOR (M9, M10)													
33	2261072 EARTH WIRE (M9, M10)													
34	NA SERVICE LID ASSY. (M9, M10)													
35	2261089 DRAIN PUMP (M9, M10)													
36	2261096 FLOAT SWITCH ASSY. (M9, M10)													
37	2002033 TERMINAL BLOCK (REMOTE CONTROLLER) (M9, M10)													
38	2374668 SET PLATE/ IMPLEMENT USE (4) (M9, M10)													
39	NA TAPPING SCREW (M9, M10)													
40	NA PAN HEAD TAPPING SCREW (M9, M10)													
41	352004 WIRE CLIP (M9, M10)													
42	027843J WIRE CLIP (M9, M10)													
43	1855164 HARNESS LIFT (M9, M10)													
44	081675J LATCH (M9, M10)													
45	NA TRUSS HEAD TAPPING SCREW (M9, M10)													
46	NA CROSS-RECESSED TAPPING SCREW (M9, M10)													
47	2374675 RESIN CASE (M9, M10)													
48	2397832 PRINTED CIRCUIT ASSY. (M9, M10)													
49	065337J CAPACITY SETTING ADAPTOR (M9)													
49	065338J CAPACITY SETTING ADAPTOR (M10)													
50	2395519 TERMINAL BLOCK (M9, M10)													
51	2397926 PRINTED CIRCUIT ASSY. (M9, M10)													
52	2261630 TOP PLATE ASSY. (M9, M10)													
53	2261205 COVER/ INSPECTION HATCH (M9, M10)													
54	4015767 BOTTOM PLATE (4) (M9, M10)													
55	2261229 COVER/ SWITCH BOX (M9, M10)													
56	2258177 DRAIN PAN ASSY. (M9, M10)													

