
FXSQ**TBVJU VRV MSP Concealed Ducted Unit

FXSQ05TBVJU
FXSQ07TBVJU
FXSQ09TBVJU
FXSQ12TBVJU
FXSQ15TBVJU
FXSQ18TBVJU
FXSQ24TBVJU
FXSQ30TBVJU
FXSQ36TBVJU
FXSQ48TBVJU
FXSQ54TBVJU



This manual is to be used by qualified technicians only.

Important Information

Index

Functional Parts List	3
Illustration and Parts	4 - 13

Views shown are for parts illustrations only, not servicing procedures.

Text Codes:

AR - As Required

NA - Not Available

NS - Not Shown

00000000 - See Note

QTY - Quantity Example (QTY 3) (If Quantity not shown, Quantity = 1)

M - Model Example (M1) (If M Code not shown, then part is used on all Models)

Expanded Model Nomenclature:

Example
M1 - Model#1
M2 - Model#2
M3 - Model#3

Daikin Comfort Technologies Manufacturing , L.P. is not responsible for personal injury or property damage resulting from improper service. Review all service information before beginning repairs.

Warranty service must be performed by an authorized technician, using authorized factory parts. If service is required after the warranty expires, Daikin Comfort Technologies Manufacturing , L.P. also recommends contacting an authorized technician and using authorized factory parts.

Daikin Comfort Technologies Manufacturing , L.P. reserves the right to discontinue, or change at any time, specifications or designs without notice or without incurring obligations.

For assistance within the U.S.A. contact:
Homeowner Support
Daikin Comfort Technologies Manufacturing , L.P.
19001 Kermier Road
Waller, Texas 77484
855-770-5678-Telephone
713-863-2382-Facsimile

For assistance outside the U.S.A. contact:
International Division
Daikin Comfort Technologies Manufacturing , L.P.
19001 Kermier Road
Waller, Texas 77484
713-861-2500-Telephone
713-863-2382-Facsimile

Functional Parts

Part

No: Description:

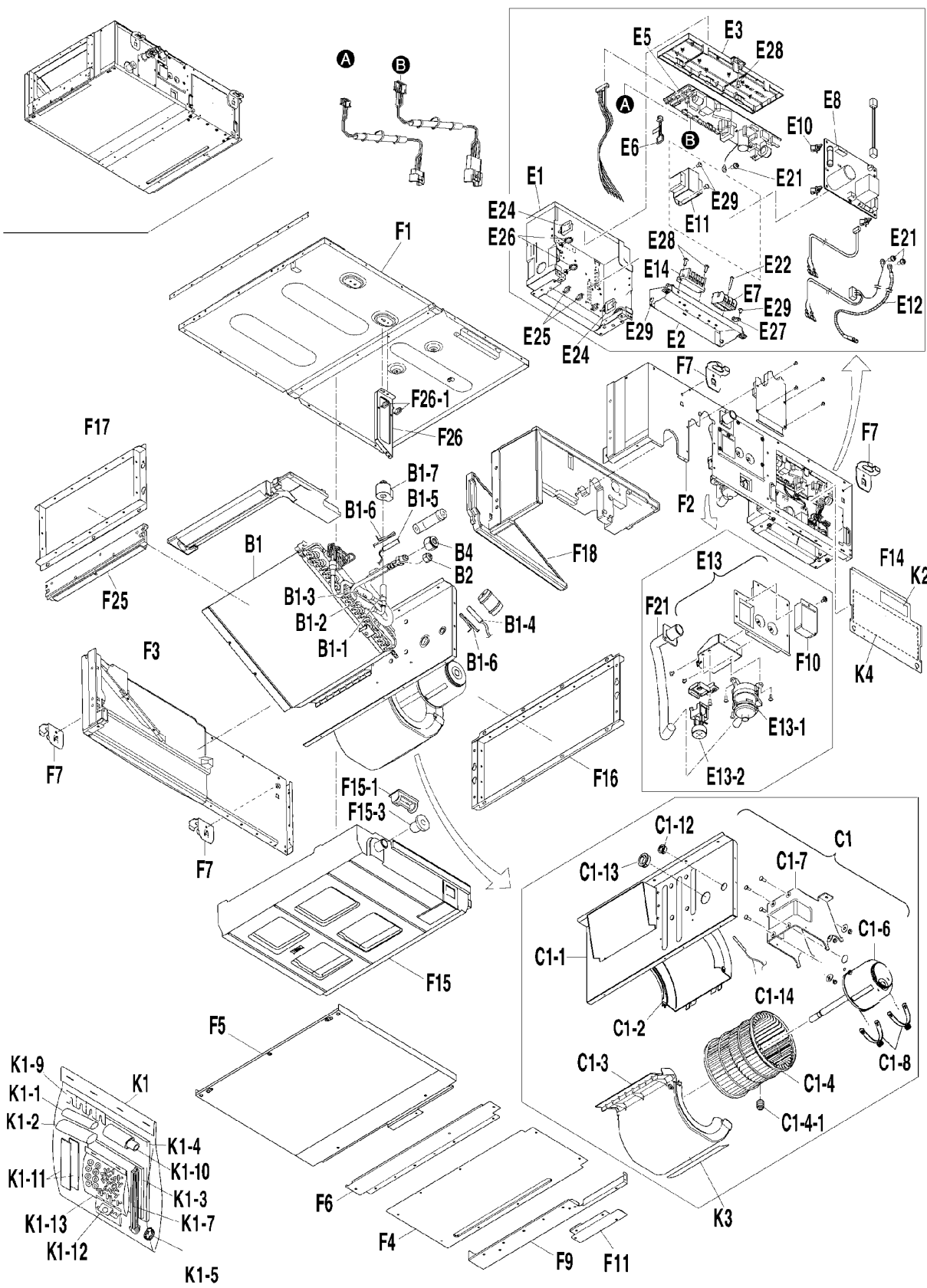
4015739	BODY/ ELECTRONIC EXP. VALVE (M4, M5)
2214038	BODY/ ELECTRONIC EXP. VALVE (M7)
2425326	BODY/ ELECTRONIC EXP. VALVE (M8)
2425333	BODY/ ELECTRONIC EXP. VALVE (M9, M10)
2425340	BODY/ ELECTRONIC EXP. VALVE (M11)
2214021	BODY/ ELECTRONIC EXP. VALVE (M6)
4015738	BODY/ ELECTRONIC EXP. VALVE (M1, M2, M3)
066965J	CAPACITY SETTING ADAPTOR (M8)
065331J	CAPACITY SETTING ADAPTOR (M4)
064060J	CAPACITY SETTING ADAPTOR (M6)
066964J	CAPACITY SETTING ADAPTOR (M3)
065340J	CAPACITY SETTING ADAPTOR (M5)
066963J	CAPACITY SETTING ADAPTOR (M2)
065336J	CAPACITY SETTING ADAPTOR (M7)
065338J	CAPACITY SETTING ADAPTOR (M10)
065337J	CAPACITY SETTING ADAPTOR (M9)
065339J	CAPACITY SETTING ADAPTOR (M11)
4015741	COIL/ ELECTRONIC EXP. VALVE
2261089	MOTOR (DRAIN PUMP)
2459057	MOTOR (INDOOR FAN) (M11)
2258160	MOTOR (INDOOR FAN) (M9, M10)
2258153	MOTOR (INDOOR FAN) (M6, M7, M8)
2258146	MOTOR (INDOOR FAN) (M5)
4015745	MOTOR (INDOOR FAN) (M1, M2, M3, M4)
2548409	PRINTED CIRCUIT BOARD ASSY. (CONTROL) (M6, M7, M8)
2548407	PRINTED CIRCUIT BOARD ASSY. (CONTROL) (M2, M3, M4, M5, M9, M10, M11)
2548406	PRINTED CIRCUIT BOARD ASSY. (CONTROL) (M1)
2548408	PRINTED CIRCUIT BOARD ASSY. (FAN) (M11)
4025258	PRINTED CIRCUIT BOARD ASSY. (FAN) (M1, M2, M3, M4)
4025259	PRINTED CIRCUIT BOARD ASSY. (FAN) (M5)
4025260	PRINTED CIRCUIT BOARD ASSY. (FAN) (M6, M7, M8)
4025261	PRINTED CIRCUIT BOARD ASSY. (FAN) (M9, M10)
2398671	THERMISTOR ASSY.
2414528	THERMISTOR ASSY. (COIL)
2398664	THERMISTOR ASSY. (COIL)

Expanded Model Nomenclature

M1 - FXSQ05TBVJU
M2 - FXSQ07TBVJU
M3 - FXSQ09TBVJU
M4 - FXSQ12TBVJU
M5 - FXSQ15TBVJU
M6 - FXSQ18TBVJU
M7 - FXSQ24TBVJU
M8 - FXSQ30TBVJU
M9 - FXSQ36TBVJU
M10 - FXSQ48TBVJU
M11 - FXSQ54TBVJU

FXSQ[05/07/09/12]TBVJU

FXSQ05TBVJU / FXSQ07TBVJU / FXSQ09TBVJU / FXSQ12TBVJU



Picture Key

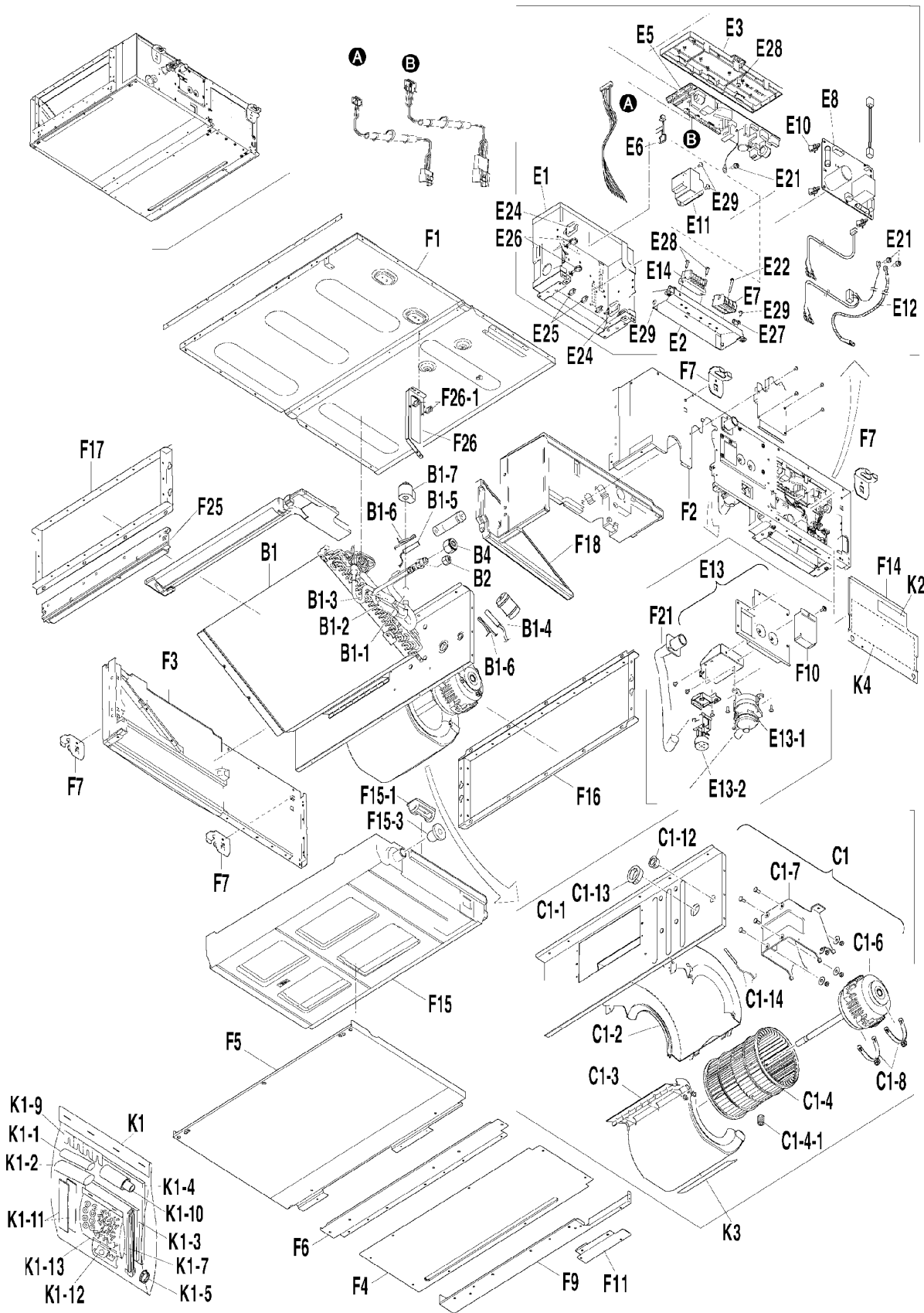
Ref #	Picture #
1	B1
2	B1-1
3	B1-2
4	B1-3
5	B1-4
6	B1-5
7	B1-6
8	B1-7
9	B2
10	B4
11	C1
12	C1-1
13	C1-12
14	C1-13
15	C1-14
16	C1-2
17	C1-3
18	C1-4
19	C1-4-1
20	C1-6
21	C1-7
22	C1-8
23	E1
24	E10
25	E11
26	E12
27	E13
28	E13-1
29	E13-2
30	E14
31	E2
32	E21
33	E22
34	E24
35	E25
36	E26
37	E27
38	E28
39	E29
40	E3
41	E5
42	E6
43	E7
44	E8
45	F1
46	F10
47	F11
48	F14
49	F15
50	F15-1
51	F15-3
52	F16
53	F17
54	F18
55	F2
56	F21
57	F25
58	F26
59	F26-1
60	F3
61	F4
62	F5
63	F6
64	F7
65	F9
66	K1
67	K1-1
68	K1-10
69	K1-11
70	K1-12
71	K1-13
72	K1-2
73	K1-3
74	K1-4
75	K1-5
76	K1-7
77	K1-9
78	K2
79	K3
80	K4

FXSQ[05/07/09/12]TBVJU

Ref. Part No:	Description:	Ref. Part No:	Description:
Image 1:		Image 1:	
1	2546602 HEAT EXCHANGER ASSY. (M1, M2, M3)	47	4015767 BOTTOM PLATE (4) (M1, M2, M3, M4)
1	2546606 HEAT EXCHANGER ASSY. (M4)	48	2261229 COVER/ SWITCH BOX (M1, M2, M3, M4)
2	4015738 BODY/ ELECTRONIC EXP. VALVE (M1, M2, M3)	49	2546604 DRAIN PAN ASSY. (M1, M2, M3, M4)
2	4015739 BODY/ ELECTRONIC EXP. VALVE (M4)	50	1985421 ANTI-BACTERIAL AGENTS ASSY. (M1, M2, M3, M4)
3	2141635 REFRIGERANT FILTER (M1, M2, M3, M4)	51	537994 CAP/ DRAIN SOCKET (M1, M2, M3, M4)
4	2141642 REFRIGERANT FILTER (M1, M2, M3, M4)	52	4015756 AIR INLET FLANGE ASSY. (M1, M2, M3, M4)
5	2398664 THERMISTOR ASSY. (COIL) (M1, M2, M3, M4)	53	4015757 AIR OUTLET FLANGE ASSY. (M1, M2, M3, M4)
6	2414528 THERMISTOR ASSY. (COIL) (M1, M2, M3, M4)	54	2550991 THERMAL INSULATION (PARTITION) (M1, M2, M3, M4)
7	007432J RETAINER/ THERMISTOR CLAMP (M1, M2, M3, M4)		
8	4015741 COIL/ ELECTRONIC EXP. VALVE (M1, M2, M3, M4)	55	2261135 SIDE PLATE (RIGHT) (M1, M2, M3, M4)
9	1723546 FLARE NUT (M1, M2, M3, M4)	56	2261281 DRAIN HOSE ASSY. (M1, M2, M3, M4)
10	119849J FLARE NUT (M1, M2, M3, M4)	57	4017145 FRONT STAY ASSY. (M1, M2, M3, M4)
11	2551003 SIROCCO FAN ASSY. (M1, M2, M3, M4)	58	4016379 MOUNTING PLATE (M1, M2, M3, M4)
12	4015742 FAN TOP PLATE ASSY. (M1, M2, M3, M4)	59	027843J WIRE CLIP (M1, M2, M3, M4)
13	170618J BUSHING (LOW VOLTAGE) (M1, M2, M3, M4)	60	2546603 SIDE PLATE (LEFT) (M1, M2, M3, M4)
14	144573J BUSHING (M1, M2, M3, M4)	61	4015751 CHAMBER COVER (M1, M2, M3, M4)
15	2398671 THERMISTOR ASSY. (M1, M2, M3, M4)	62	4015752 BOTTOM PLATE (M1, M2, M3, M4)
16	2551005 FAN HOUSING (UPPER) (M1, M2, M3, M4)	63	4015753 BOTTOM PLATE (3) (M1, M2, M3, M4)
17	2551006 FAN HOUSING (LOWER) (M1, M2, M3, M4)	64	2261180 HOOK (M1, M2, M3, M4)
18	1863723 SIROCCO ROTOR ASSY. (M1, M2, M3, M4)	65	4015754 BOTTOM FRAME (M1, M2, M3, M4)
19	011582J HEX SOCKET SCREW (M1, M2, M3, M4)	66	NA ACCESSORIES ASSY. (1) (M1, M2, M3, M4)
20	4015745 MOTOR (INDOOR FAN) (M1, M2, M3, M4)	67	038187J THERMAL INSULATION TUBE (M1, M2, M3, M4)
21	4015746 MOTOR BASE (M1, M2, M3, M4)	68	2455745 DRAIN HOSE (M1, M2, M3, M4)
22	4007850 LOCK PLATE/ FAN MOTOR (M1, M2, M3, M4)	69	2261298 SEALING MATERIAL (M1, M2, M3, M4)
23	2261065 SWITCH BOX ASSY. (M1, M2, M3, M4)	70	2393001 CONDUIT MOUNTING PLATE (M1, M2, M3, M4)
24	380402J LOCKING CARD SPACER (M1, M2, M3, M4)	71	2551007 TRUSS HEAD TAPPING SCREW PACK (M1, M2, M3, M4)
25	4015749 REACTOR (M1, M2, M3, M4)		
26	2261072 EARTH WIRE (M1, M2, M3, M4)	72	2544361 THERMAL INSULATION TUBE (M1, M2, M3, M4)
27	4015731 SERVICE LID ASSY. (M1, M2, M3, M4)	73	4000023 SEALING MATERIAL (M1, M2, M3, M4)
28	2261089 MOTOR (DRAIN PUMP) (M1, M2, M3, M4)	74	032284J SEALER/ DRAIN HOSE (M1, M2, M3, M4)
29	2534708 FLOAT SWITCH ASSY. (M1, M2, M3, M4)	75	2533760 HOSE BAND (M1, M2, M3, M4)
30	2002033 TERMINAL BLOCK (REMOTE CONTROLLER) (M1, M2, M3, M4)	76	980773 TIE WRAP (M1, M2, M3, M4)
		77	1755334 WASHER FIXING MATERIAL (M1, M2, M3, M4)
31	2374668 SET PLATE/ IMPLEMENT USE (4) (M1, M2, M3, M4)	78	2546670 CAUTION LABEL (ELECTRIC SHOCK) (M1, M2, M3, M4)
32	113783J TAPPING SCREW (M1, M2, M3, M4)		
33	174888J PAN HEAD TAPPING SCREW (M1, M2, M3, M4)	79	4023075 CAUTION LABEL (ROTATING) (M1, M2, M3, M4)
34	352004 WIRE CLIP (M1, M2, M3, M4)	80	2551008 WIRING DIAGRAM LABEL (M1, M2, M3, M4)
35	027843J WIRE CLIP (M1, M2, M3, M4)		
36	1855164 HARNESS LIFTER (M1, M2, M3, M4)	Expanded Model Nomenclature	
37	0816755 RESIN CLAMP (M1, M2, M3, M4)	M1 - FXSQ05TBVJU M2 - FXSQ07TBVJU M3 - FXSQ09TBVJU M4 - FXSQ12TBVJU M5 - FXSQ15TBVJU M6 - FXSQ18TBVJU M7 - FXSQ24TBVJU M8 - FXSQ30TBVJU M9 - FXSQ36TBVJU M10 - FXSQ48TBVJU M11 - FXSQ54TBVJU	
38	109688J TRUSS HEAD TAPPING SCREW (M1, M2, M3, M4)		
39	121072J CROSS-RECESSED TAPPING SCREW (M1, M2, M3, M4)		
40	2374675 RESIN CASE (M1, M2, M3, M4)		
41	2548406 PRINTED CIRCUIT BOARD ASSY. (CONTROL) (M1)		
41	2548407 PRINTED CIRCUIT BOARD ASSY. (CONTROL) (M2, M3, M4)		
42	065331J CAPACITY SETTING ADAPTOR (M4)		
42	066963J CAPACITY SETTING ADAPTOR (M2)		
42	066964J CAPACITY SETTING ADAPTOR (M3)		
43	2395519 TERMINAL BLOCK (M1, M2, M3, M4)		
44	4025258 PRINTED CIRCUIT BOARD ASSY. (FAN) (M1, M2, M3, M4)		
45	4015750 TOP PLATE ASSY. (M1, M2, M3, M4)		
46	2261205 COVER/ INSPECTION HATCH (M1, M2, M3, M4)		

FXSQ15TBVJU

FXSQ15TBVJU



Picture Key

Ref #	Picture #
1	B1
2	B1-1
3	B1-2
4	B1-3
5	B1-4
6	B1-5
7	B1-6
8	B1-7
9	B2
10	B4
11	C1
12	C1-1
13	C1-2
14	C1-3
15	C1-4
16	C1-4-1
17	C1-6
18	C1-7
19	C1-8
20	C1-12
21	C1-13
22	C1-14
23	E1
24	E2
25	E3
26	E5
27	E6
28	E7
29	E8
30	E10
31	E11
32	E12
33	E13
34	E13-1
35	E13-2
36	E14
37	E21
38	E22
39	E24
40	E25
41	E26
42	E27
43	E28
44	E29
45	F1
46	F2
47	F3
48	F4
49	F5
50	F6
51	F7
52	F9
53	F10
54	F11
55	F14
56	F15
57	F15-1
58	F15-3
59	F16
60	F17
61	F18
62	F21
63	F25
64	F26
65	F26-1
66	K1
67	K1-1
68	K1-2
69	K1-3
70	K1-4
71	K1-5
72	K1-7
73	K1-9
74	K1-10
75	K1-11
76	K1-12
77	K1-13
78	K2
79	K3
80	K4

FXSQ15TBVJU

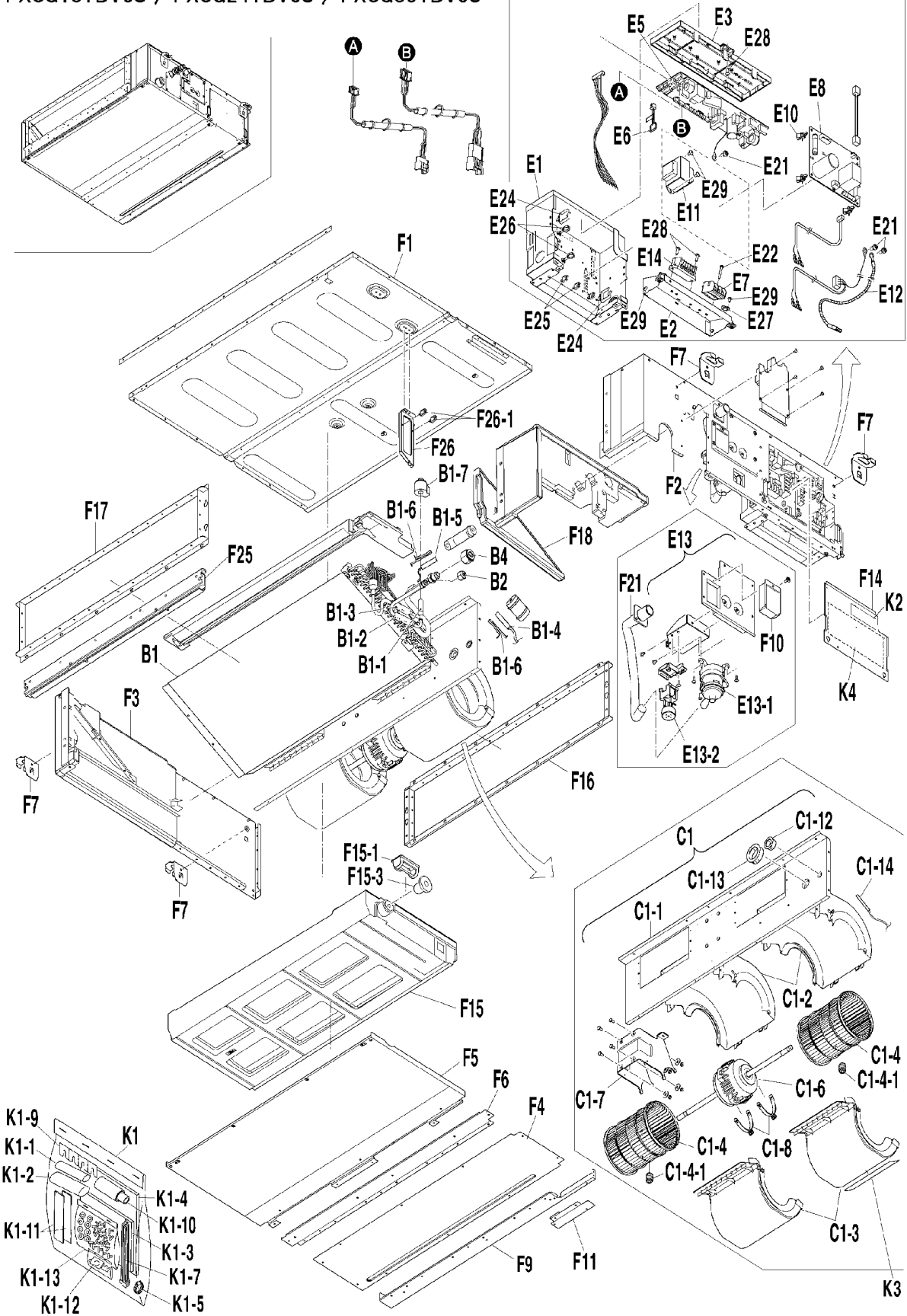
Ref. Part No:	Ref. Part No:	Description:	Description:
Image 1:		Image 1:	
1	2546607	HEAT EXCHANGER ASSY. (M5)	56 2546608 DRAIN PAN ASSY. (M5)
2	4015739	BODY/ ELECTRONIC EXP. VALVE (M5)	57 1985421 ANTI-BACTERIAL AGENTS ASSY. (M5)
3	2141635	REFRIGERANT FILTER (M5)	58 537994 CAP/ DRAIN SOCKET (M5)
4	2141642	REFRIGERANT FILTER (M5)	59 2261236 AIR INLET FLANGE ASSY. (M5)
5	2398664	THERMISTOR ASSY. (COIL) (M5)	60 2261243 AIR OUTLET FLANGE ASSY. (M5)
6	2414528	THERMISTOR ASSY. (COIL) (M5)	61 2550991 THERMAL INSULATION (PARTITION) (M5)
7	007432J	RETAINER/ THERMISTOR CLAMP (M5)	62 2261281 DRAIN HOSE ASSY. (M5)
8	4015741	COIL/ ELECTRONIC EXP. VALVE (M5)	63 4017146 FRONT STAY ASSY. (M5)
9	1723546	FLARE NUT (M5)	64 4016379 MOUNTING PLATE (M5)
10	119849J	FLARE NUT (M5)	65 027843J WIRE CLIP (M5)
11	2551009	SIROCCO FAN ASSY. (M5)	66 NA ACCESSORIES ASSY. (1) (M5)
12	2261027	FAN TOP PLATE ASSY. (M5)	67 038187J THERMAL INSULATION TUBE (M5)
13	2550989	FAN HOUSING (UPPER) (M5)	68 2544361 THERMAL INSULATION TUBE (M5)
14	2550990	FAN HOUSING (LOWER) (M5)	69 4000023 SEALING MATERIAL (M5)
15	1863716	SIROCCO ROTOR ASSY. (M5)	70 032284J SEALER/ DRAIN HOSE (M5)
16	011582J	HEX SOCKET SCREW (M5)	71 2533760 HOSE BAND (M5)
17	2258146	MOTOR (INDOOR FAN) (M5)	72 980773 TIE WRAP (M5)
18	2261058	MOTOR BASE (M5)	73 1755334 WASHER FIXING MATERIAL (M5)
19	4007850	LOCK PLATE/ FAN MOTOR (M5)	74 2455745 DRAIN HOSE (M5)
20	170618J	BUSHING (LOW VOLTAGE) (M5)	75 2261298 SEALING MATERIAL (M5)
21	144573J	BUSHING (M5)	76 2393001 CONDUIT MOUNTING PLATE (M5)
22	2398671	THERMISTOR ASSY. (AIR) (M5)	77 2551010 TRUSS HEAD TAPPING SCREW PACK (M5)
23	2261065	SWITCH BOX ASSY. (M5)	78 2546670 CAUTION LABEL (ELECTRIC SHOCK) (M5)
24	2374668	SET PLATE/ IMPLEMENT USE (4) (M5)	79 4023075 CAUTION LABEL (ROTATING) (M5)
25	2374675	RESIN CASE (M5)	80 2551008 WIRING DIAGRAM LABEL (M5)
26	2548407	PRINTED CIRCUIT BOARD ASSY. (CONTROL) (M5)	
27	065340J	CAPACITY SETTING ADAPTOR (M5)	
28	2395519	TERMINAL BLOCK (M5)	
29	4025259	PRINTED CIRCUIT BOARD ASSY. (FAN) (M5)	
30	380402J	LOCKING CARD SPACER (M5)	
31	4015749	REACTOR (M5)	
32	2261072	EARTH WIRE (M5)	
33	4015731	SERVICE LID ASSY. (M5)	
34	2261089	MOTOR (DRAIN PUMP) (M5)	
35	2534708	FLOAT SWITCH ASSY. (M5)	
36	2002033	TERMINAL BLOCK (REMOTE CONTROLLER) (M5)	
37	113783J	TAPPING SCREW (M5)	
38	174888J	PAN HEAD TAPPING SCREW (M5)	
39	352004	WIRE CLIP (M5)	
40	027843J	WIRE CLIP (M5)	
41	1855164	HARNESS LIFTER (M5)	
42	0816755	RESIN CLAMP (M5)	
43	109688J	TRUSS HEAD TAPPING SCREW (M5)	
44	121072J	CROSS-RECESSED TAPPING SCREW (M5)	
45	2261128	TOP PLATE ASSY. (M5)	
46	2261135	SIDE PLATE (RIGHT) (M5)	
47	2546603	SIDE PLATE (LEFT) (M5)	
48	2261159	CHAMBER COVER (M5)	
49	2261166	BOTTOM PLATE (M5)	
50	2261173	BOTTOM PLATE (3) (M5)	
51	2261180	HOOK (M5)	
52	2261197	BOTTOM FRAME (M5)	
53	2261205	COVER/ INSPECTION HATCH (M5)	
54	4015767	BOTTOM PLATE (4) (M5)	
55	2261229	COVER/ SWITCH BOX (M5)	

Expanded Model Nomenclature

M1 - FXSQ05TBVJU
M2 - FXSQ07TBVJU
M3 - FXSQ09TBVJU
M4 - FXSQ12TBVJU
M5 - FXSQ15TBVJU
M6 - FXSQ18TBVJU
M7 - FXSQ24TBVJU
M8 - FXSQ30TBVJU
M9 - FXSQ36TBVJU
M10 - FXSQ48TBVJU
M11 - FXSQ54TBVJU

FXSQ[18/24/30]TBVJU

FXSQ18TBVJU / FXSQ24TBVJU / FXSQ30TBVJU



Picture Key

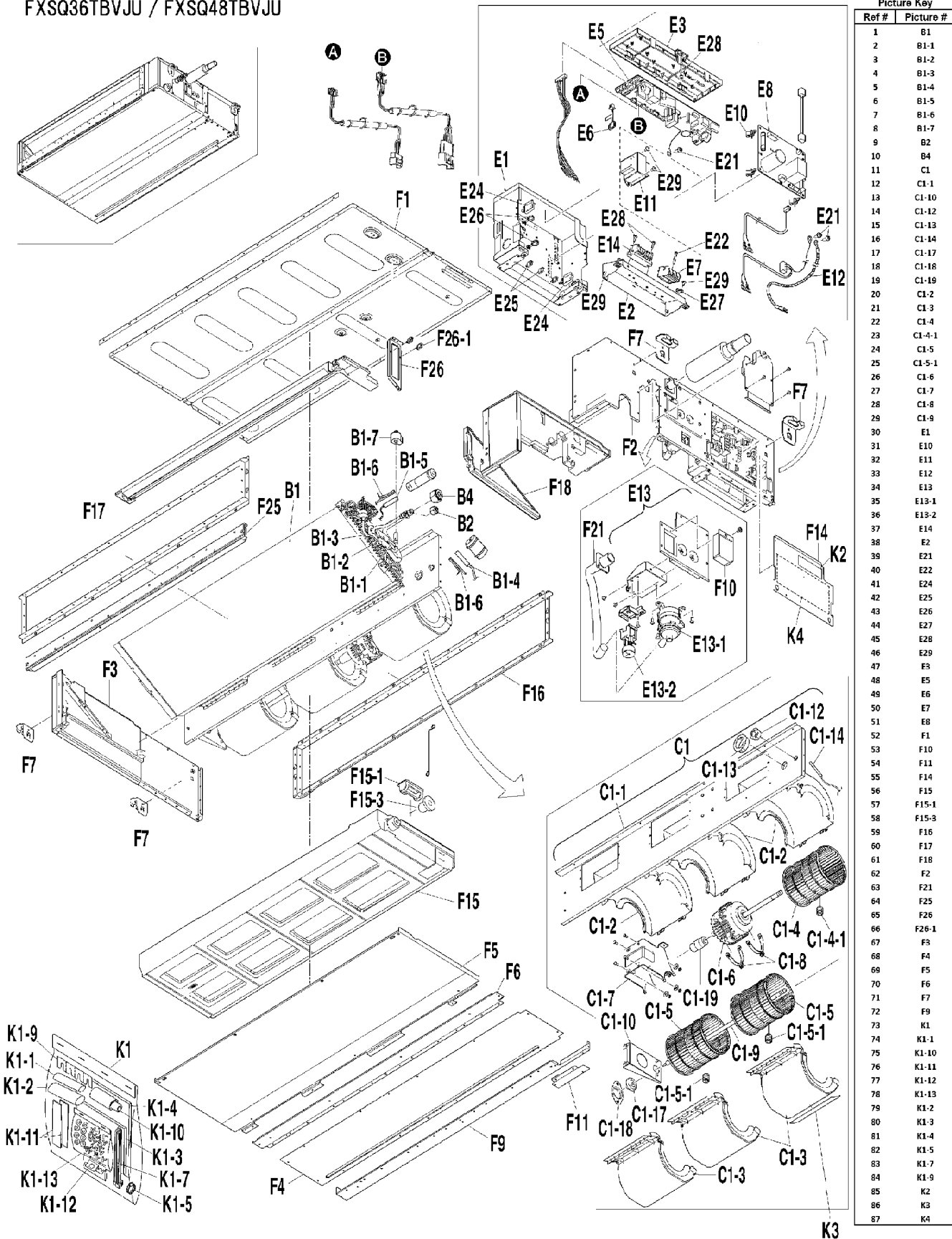
Ref #	Picture #
1	B1
2	B1-1
3	B1-2
4	B1-3
5	B1-4
6	B1-5
7	B1-6
8	B1-7
9	B2
10	B4
11	C1
12	C1-1
13	C1-12
14	C1-13
15	C1-14
16	C1-2
17	C1-3
18	C1-4
19	C1-4-1
20	C1-6
21	C1-7
22	C1-8
23	E1
24	E10
25	E11
26	E12
27	E13
28	E13-1
29	E13-2
30	E14
31	E2
32	E21
33	E22
34	E24
35	E25
36	E26
37	E27
38	E28
39	E29
40	E3
41	E5
42	E6
43	E7
44	E8
45	F1
46	F10
47	F11
48	F14
49	F15
50	F15-1
51	F15-3
52	F16
53	F17
54	F18
55	F2
56	F21
57	F25
58	F26
59	F26-1
60	F3
61	F4
62	F5
63	F6
64	F7
65	F9
66	K1
67	K1-1
68	K1-10
69	K1-11
70	K1-12
71	K1-13
72	K1-2
73	K1-3
74	K1-4
75	K1-5
76	K1-7
77	K1-9
78	K2
79	K3
80	K4

FXSQ[18/24/30]TBVJU

Ref. Part No: No:	Description:	Ref. Part No: No:	Description:
Image 1:		Image 1:	
1	2546609 HEAT EXCHANGER ASSY. (M6)	45	2261320 TOP PLATE ASSY. (M6, M7, M8)
1	2546611 HEAT EXCHANGER ASSY. (M7)	46	2261205 COVER/ INSPECTION HATCH (M6, M7, M8)
1	2546615 HEAT EXCHANGER ASSY. (M8)	47	4015767 BOTTOM PLATE (4) (M6, M7, M8)
2	2214021 BODY/ ELECTRONIC EXP. VALVE (M6)	48	2261229 COVER/ SWITCH BOX (M6, M7, M8)
2	2214038 BODY/ ELECTRONIC EXP. VALVE (M7)	49	2546610 DRAIN PAN ASSY. (M6, M7, M8)
2	2425326 BODY/ ELECTRONIC EXP. VALVE (M8)	50	1985421 ANTI-BACTERIAL AGENTS ASSY. (M6, M7, M8)
3	2141635 REFRIGERANT FILTER (M6, M7, M8)	51	537994 CAP/ DRAIN SOCKET (M6, M7, M8)
4	2141642 REFRIGERANT FILTER (M6, M7, M8)	52	2261560 AIR INLET FLANGE ASSY. (M6, M7, M8)
5	2398664 THERMISTOR ASSY. (COIL) (M6, M7, M8)	53	2261577 AIR OUTLET FLANGE ASSY. (M6, M7, M8)
6	2414528 THERMISTOR ASSY. (COIL) (M6, M7, M8)	54	2550991 THERMAL INSULATION (PARTITION) (M6, M7, M8)
7	007432J RETAINER/ THERMISTOR CLAMP (M6, M7, M8)	55	2261135 SIDE PLATE (RIGHT) (M6, M7, M8)
8	4015741 COIL/ ELECTRONIC EXP. VALVE (M6, M7, M8)	56	2261281 DRAIN HOSE ASSY. (M6, M7, M8)
9	119848J FLARE NUT (M7, M8)	57	4017147 FRONT STAY ASSY. (M6, M7, M8)
9	1723546 FLARE NUT (M6)	58	4016379 MOUNTING PLATE (M6, M7, M8)
10	119849J FLARE NUT (M6)	59	027843J WIRE CLIP (M6, M7, M8)
10	119850J FLARE NUT (M7, M8)	60	2546603 SIDE PLATE (LEFT) (M6, M7, M8)
11	2550988 SIROCCO FAN ASSY. (M6, M7, M8)	61	2261337 CHAMBER COVER (M6, M7, M8)
12	2261313 FAN TOP PLATE ASSY. (M6, M7, M8)	62	2261344 BOTTOM PLATE (M6, M7, M8)
13	170618J BUSHING (LOW VOLTAGE) (M6, M7, M8)	63	2261351 BOTTOM PLATE (3) (M6, M7, M8)
14	144573J BUSHING (M6, M7, M8)	64	2261180 HOOK (M6, M7, M8)
15	2398671 THERMISTOR ASSY. (AIR) (M6, M7, M8)	65	2261553 BOTTOM FRAME (M6, M7, M8)
16	2550989 FAN HOUSING (UPPER) (M6, M7, M8)	66	NA ACCESSORIES ASSY. (1) (M6, M7, M8)
17	2550990 FAN HOUSING (LOWER) (M6, M7, M8)	67	038187J THERMAL INSULATION TUBE (M6, M7, M8)
18	1863716 SIROCCO ROTOR ASSY. (M6, M7, M8)	68	2455745 DRAIN HOSE (M6, M7, M8)
19	011582J HEX. SOCKET SCREW (M6, M7, M8)	69	2261298 SEALING MATERIAL (M6, M7, M8)
20	2258153 MOTOR (INDOOR FAN) (M6, M7, M8)	70	2393001 CONDUIT MOUNTING PLATE (M6, M7, M8)
21	2261058 MOTOR BASE (M6, M7, M8)	71	2532974 TRUSS HEAD TAPPING SCREW (M6, M7, M8)
22	4007850 LOCK PLATE/ FAN MOTOR (M6, M7, M8)	72	2544361 THERMAL INSULATION TUBE (M6, M7, M8)
23	2261065 SWITCH BOX ASSY. (M6, M7, M8)	73	4000023 SEALING MATERIAL (M6, M7, M8)
24	380402J LOCKING CARD SPACER (M6, M7, M8)	74	032284J SEALER/ DRAIN HOSE (M6, M7, M8)
25	4015730 REACTOR (M6, M7, M8)	75	2533760 HOSE BAND (M6, M7, M8)
26	2261072 EARTH WIRE (M6, M7, M8)	76	980773 TIE WRAP (M6, M7, M8)
27	4015731 SERVICE LID ASSY. (M6, M7, M8)	77	1755334 WASHER FIXING MATERIAL (M6, M7, M8)
28	2261089 MOTOR (DRAIN PUMP) (M6, M7, M8)	78	2546670 CAUTION LABEL (ELECTRIC SHOCK) (M6, M7, M8)
29	2534708 FLOAT SWITCH ASSY. (M6, M7, M8)	79	4023075 CAUTION LABEL (ROTATING) (M6, M7, M8)
30	2002033 TERMINAL BLOCK (REMOTE CONTROLLER) (M6, M7, M8)	80	2551008 WIRING DIAGRAM LABEL (M6, M7, M8)
31	2374668 SET PLATE/ IMPLEMENT USE (4) (M6, M7, M8)	Expanded Model Nomenclature M1 - FXSQ05TBVJU M2 - FXSQ07TBVJU M3 - FXSQ09TBVJU M4 - FXSQ12TBVJU M5 - FXSQ15TBVJU M6 - FXSQ18TBVJU M7 - FXSQ24TBVJU M8 - FXSQ30TBVJU M9 - FXSQ36TBVJU M10 - FXSQ48TBVJU M11 - FXSQ54TBVJU	
32	113783J TAPPING SCREW (M6, M7, M8)		
33	174888J PAN HEAD TAPPING SCREW (M6, M7, M8)		
34	352004 WIRE CLIP (M6, M7, M8)		
35	027843J WIRE CLIP (M6, M7, M8)		
36	1855164 HARNESS LIFTER (M6, M7, M8)		
37	0816755 RESIN CLAMP (M6, M7, M8)		
38	109688J TRUSS HEAD TAPPING SCREW (M6, M7, M8)		
39	121072J CROSS-RECESSED TAPPING SCREW (M6, M7, M8)		
40	2374675 RESIN CASE (M6, M7, M8)		
41	2548409 PRINTED CIRCUIT BOARD ASSY. (CONTROL) (M6, M7, M8)		
42	064060J CAPACITY SETTING ADAPTOR (M6)		
42	065336J CAPACITY SETTING ADAPTOR (M7)		
42	066965J CAPACITY SETTING ADAPTOR (M8)		
43	2395519 TERMINAL BLOCK (M6, M7, M8)		
44	4025260 PRINTED CIRCUIT BOARD ASSY. (FAN) (M6, M7, M8)		

FXSQ[36/48]TBVJU

FXSQ36TBVJU / FXSQ48TBVJU



Picture Key

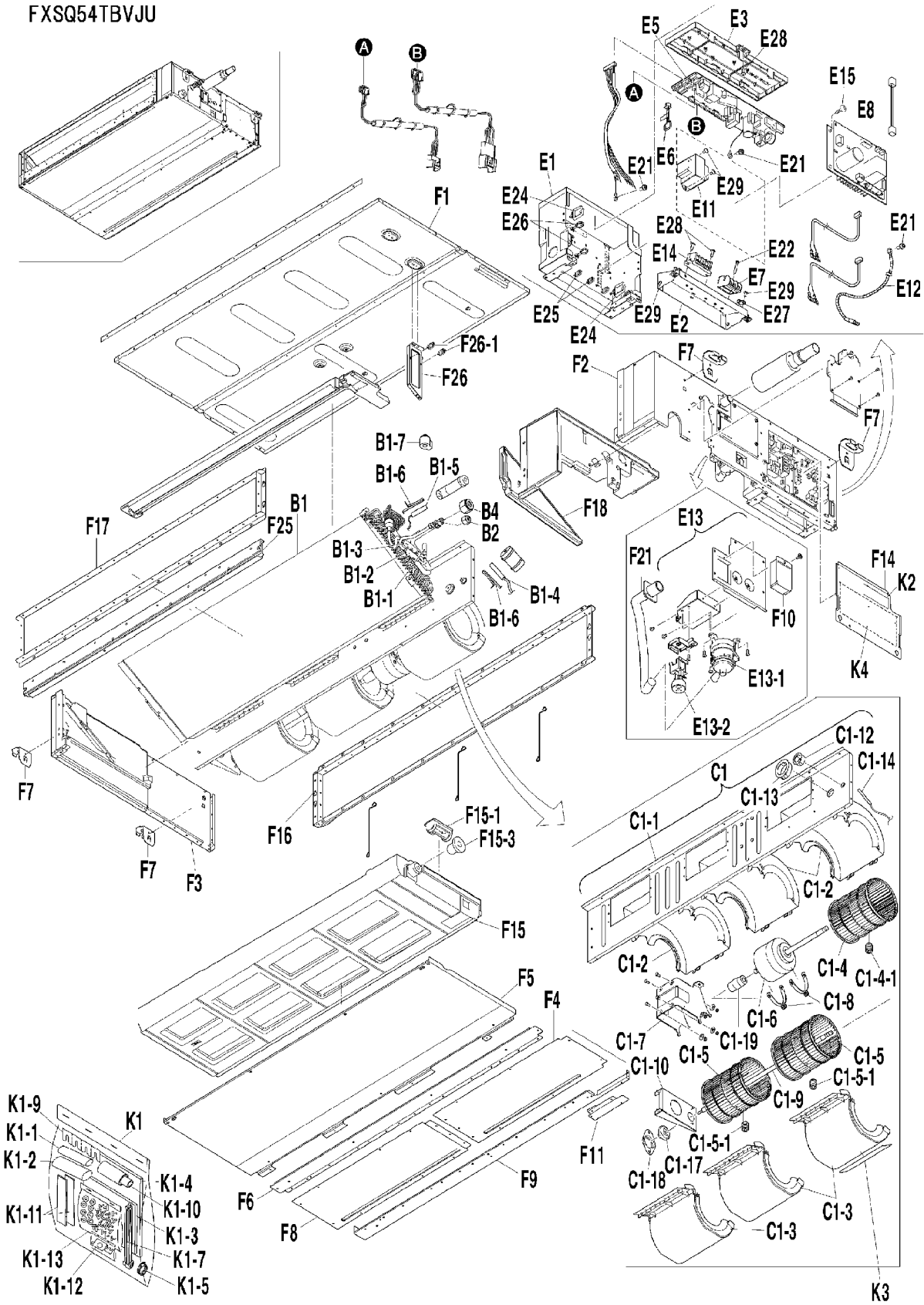
Ref #	Picture #
1	B1
2	B1-1
3	B1-2
4	B1-3
5	B1-4
6	B1-5
7	B1-6
8	B1-7
9	B2
10	B4
11	C1
12	C1-1
13	C1-10
14	C1-12
15	C1-13
16	C1-14
17	C1-17
18	C1-18
19	C1-19
20	C1-2
21	C1-3
22	C1-4
23	C1-4-1
24	C1-5
25	C1-5-1
26	C1-6
27	C1-7
28	C1-8
29	C1-9
30	E1
31	E10
32	E11
33	E12
34	E13
35	E13-1
36	E13-2
37	E14
38	E2
39	E21
40	E22
41	E24
42	E25
43	E26
44	E27
45	E28
46	E29
47	E3
48	E5
49	E6
50	E7
51	E8
52	F1
53	F10
54	F11
55	F14
56	F15
57	F15-1
58	F15-3
59	F16
60	F17
61	F18
62	F2
63	F21
64	F25
65	F26
66	F26-1
67	F3
68	F4
69	F5
70	F6
71	F7
72	F9
73	K1
74	K1-1
75	K1-10
76	K1-11
77	K1-12
78	K1-13
79	K1-2
80	K1-3
81	K1-4
82	K1-5
83	K1-7
84	K1-9
85	K2
86	K3
87	K4

FXSQ[36/48]TBVJU

Ref. Part No:	Ref. Part No:	Description:	Description:
Image 1:		Image 1:	
1	2546616	HEAT EXCHANGER ASSY. (M9)	53 2261205 COVER/ INSPECTION HATCH (M9, M10)
1	2546619	HEAT EXCHANGER ASSY. (M10)	54 4015767 BOTTOM PLATE (4) (M9, M10)
2	2425333	BODY/ ELECTRONIC EXP. VALVE (M9, M10)	55 2261229 COVER/ SWITCH BOX (M9, M10)
3	2141659	REFRIGERANT FILTER (M9, M10)	56 2546617 DRAIN PAN ASSY. (M9, M10)
4	2141666	REFRIGERANT FILTER (M9, M10)	57 1985421 ANTI-BACTERIAL AGENTS ASSY. (M9, M10)
5	2398664	THERMISTOR ASSY. (COIL) (M9, M10)	58 537994 CAP/ DRAIN SOCKET (M9, M10)
6	2414528	THERMISTOR ASSY. (COIL) (M9, M10)	59 2261685 AIR INLET FLANGE ASSY. (M9, M10)
7	007432J	RETAINER/ THERMISTOR CLAMP (M9, M10)	60 2261692 AIR OUTLET FLANGE ASSY. (M9, M10)
8	4015741	COIL/ ELECTRONIC EXP. VALVE (M9, M10)	61 2550991 THERMAL INSULATION (PARTITION) (M9, M10)
9	119848J	FLARE NUT (M9, M10)	62 2261135 SIDE PLATE (RIGHT) (M9, M10)
10	119850J	FLARE NUT (M9, M10)	63 2261281 DRAIN HOSE ASSY. (M9, M10)
11	2551011	SIROCCO FAN ASSY. (M9, M10)	64 4017148 FRONT STAY ASSY. (M9, M10)
12	2261609	FAN TOP PLATE ASSY. (M9, M10)	65 4016379 MOUNTING PLATE (M9, M10)
13	1876279	FAN BEARING PLATE (M9, M10)	66 027843J WIRE CLIP (M9, M10)
14	170618J	BUSHING (LOW VOLTAGE) (M9, M10)	67 2546603 SIDE PLATE (LEFT) (M9, M10)
15	144573J	BUSHING (M9, M10)	68 2261647 CHAMBER COVER (M9, M10)
16	2398671	THERMISTOR ASSY. (AIR) (M9, M10)	69 2261654 BOTTOM PLATE (M9, M10)
17	2456166	FAN BEARING VIBRATION ABSORBER (M9, M10)	70 2261661 BOTTOM PLATE (3) (M9, M10)
18	443026J	MOUNTING PLATE/ FAN BEARING (M9, M10)	71 2261180 HOOK (M9, M10)
19	019928J	COUPLING RUBBER (M9, M10)	72 2261678 BOTTOM FRAME (M9, M10)
20	2550989	FAN HOUSING (UPPER) (M9, M10)	73 NA ACCESSORIES ASSY. (1) (M9, M10)
21	2550990	FAN HOUSING (LOWER) (M9, M10)	74 038187J THERMAL INSULATION TUBE (M9, M10)
22	1863716	SIROCCO ROTOR ASSY. (M9, M10)	75 2455745 DRAIN HOSE (M9, M10)
23	011582J	HEX SOCKET SCREW (M9, M10)	76 2261298 SEALING MATERIAL (M9, M10)
24	2261616	SIROCCO ROTOR ASSY. (M9, M10)	77 2393001 CONDUIT MOUNTING PLATE (M9, M10)
25	011582J	HEX SOCKET SCREW (M9, M10)	78 2550995 TRUSS HEAD TAPPING SCREW PACK (M9, M10)
26	2258160	MOTOR (INDOOR FAN) (M9, M10)	79 2544361 THERMAL INSULATION TUBE (M9, M10)
27	2261623	MOTOR BASE (M9, M10)	80 4000023 SEALING MATERIAL (M9, M10)
28	4007850	LOCK PLATE/ FAN MOTOR (M9, M10)	81 032284J SEALER/ DRAIN HOSE (M9, M10)
29	2270386	FAN SHAFT ASSY. (M9, M10)	82 2533760 HOSE BAND (M9, M10)
30	2261065	SWITCH BOX ASSY. (M9, M10)	83 980773 TIE WRAP (M9, M10)
31	380402J	LOCKING CARD SPACER (M9, M10)	84 1755334 WASHER FIXING MATERIAL (M9, M10)
32	4015730	REACTOR (M9, M10)	85 2546670 CAUTION LABEL (ELECTRIC SHOCK) (M9, M10)
33	2261072	EARTH WIRE (M9, M10)	86 4023075 CAUTION LABEL (ROTATING) (M9, M10)
34	4015731	SERVICE LID ASSY. (M9, M10)	87 2551008 WIRING DIAGRAM LABEL (M9, M10)
35	2261089	MOTOR (DRAIN PUMP) (M9, M10)	
36	2534708	FLOAT SWITCH ASSY. (M9, M10)	
37	2002033	TERMINAL BLOCK (REMOTE CONTROLLER) (M9, M10)	
38	2374668	SET PLATE/ IMPLEMENT USE (4) (M9, M10)	
39	113783J	TAPPING SCREW (M9, M10)	
40	174888J	PAN HEAD TAPPING SCREW (M9, M10)	
41	352004	WIRE CLIP (M9, M10)	
42	027843J	WIRE CLIP (M9, M10)	
43	1855164	HARNESS LIFTER (M9, M10)	
44	0816755	RESIN CLAMP (M9, M10)	
45	109688J	TRUSS HEAD TAPPING SCREW (M9, M10)	
46	121072J	CROSS-RECESSED TAPPING SCREW (M9, M10)	
47	2374675	RESIN CASE (M9, M10)	
48	2548407	PRINTED CIRCUIT BOARD ASSY. (CONTROL) (M9, M10)	
49	065337J	CAPACITY SETTING ADAPTOR (M9)	
49	065338J	CAPACITY SETTING ADAPTOR (M10)	
50	2395519	TERMINAL BLOCK (M9, M10)	
51	4025261	PRINTED CIRCUIT BOARD ASSY. (FAN) (M9, M10)	
52	2261630	TOP PLATE ASSY. (M9, M10)	
			Expanded Model Nomenclature
			M1 - FXSQ05TBVJU
			M2 - FXSQ07TBVJU
			M3 - FXSQ09TBVJU
			M4 - FXSQ12TBVJU
			M5 - FXSQ15TBVJU
			M6 - FXSQ18TBVJU
			M7 - FXSQ24TBVJU
			M8 - FXSQ30TBVJU
			M9 - FXSQ36TBVJU
			M10 - FXSQ48TBVJU
			M11 - FXSQ54TBVJU

FXSQ54TBVJU

FXSQ54TBVJU



Picture Key

Ref #	Picture #
1	B1
2	B1-1
3	B1-2
4	B1-3
5	B1-4
6	B1-5
7	B1-6
8	B1-7
9	B2
10	B4
11	C1
12	C1-1
13	C1-2
14	C1-3
15	C1-4
16	C1-4-1
17	C1-5
18	C1-5-1
19	C1-6
20	C1-7
21	C1-8
22	C1-9
23	C1-10
24	C1-12
25	C1-13
26	C1-14
27	C1-17
28	C1-18
29	C1-19
30	E1
31	E2
32	E3
33	E5
34	E6
35	E7
36	E8
37	E11
38	E12
39	E13
40	E13-1
41	E13-2
42	E14
43	E15
44	E21
45	E22
46	E24
47	E25
48	E26
49	E27
50	E28
51	E29
52	F1
53	F2
54	F3
55	F4
56	F5
57	F6
58	F7
59	F8
60	F9
61	F10
62	F11
63	F14
64	F15
65	F15-1
66	F15-3
67	F16
68	F17
69	F18
70	F21
71	F25
72	F26
73	F26-1
74	K1
75	K1-1
76	K1-2
77	K1-3
78	K1-4
79	K1-5
80	K1-7
81	K1-9
82	K1-10
83	K1-11
84	K1-12
85	K1-13
86	K2
87	K3
88	K4

FXSQ54TBVJU

Ref. Part No: No:	Description:	Ref. Part No: No:	Description:											
Image 1:		Image 1:												
1	2546620 HEAT EXCHANGER ASSY. (M11)	56	4016369 BOTTOM PLATE (M11)											
2	2425340 BODY/ ELECTRONIC EXP. VALVE (M11)	57	4016370 BOTTOM PLATE (3) (M11)											
3	2141659 REFRIGERANT FILTER (M11)	58	2261180 HOOK (M11)											
4	2141666 REFRIGERANT FILTER (M11)	59	4016371 CHAMBER COVER (2) (M11)											
5	2398664 THERMISTOR ASSY. (COIL) (M11)	60	4016372 BOTTOM FRAME ASSY. (M11)											
6	2414528 THERMISTOR ASSY. (COIL) (M11)	61	2261205 COVER/ INSPECTION HATCH (M11)											
7	007432J RETAINER/ THERMISTOR CLAMP (M11)	62	4015767 BOTTOM PLATE (4) (M11)											
8	4015741 COIL/ ELECTRONIC EXP. VALVE (M11)	63	2261229 COVER/ SWITCH BOX (M11)											
9	119848J FLARE NUT (M11)	64	2546621 DRAIN PAN ASSY. (M11)											
10	119850J FLARE NUT (M11)	65	1985421 ANTI-BACTERIAL AGENTS ASSY. (M11)											
11	2550998 SIROCCO FAN ASSY. (M11)	66	537994 CAP/ DRAIN SOCKET (M11)											
12	4016360 FAN TOP PLATE ASSY. (M11)	67	4016374 AIR INLET FLANGE ASSY. (M11)											
13	2550989 FAN HOUSING (UPPER) (M11)	68	4016375 AIR OUTLET FLANGE ASSY. (M11)											
14	2550990 FAN HOUSING (LOWER) (M11)	69	2550991 THERMAL INSULATION (PARTITION) (M11)											
15	1863716 SIROCCO ROTOR ASSY. (M11)	70	2261281 DRAIN HOSE ASSY. (M11)											
16	011582J HEX SOCKET SCREW (M11)	71	4016378 FRONT STAY ASSY. (M11)											
17	2261616 SIROCCO ROTOR ASSY. (M11)	72	4016379 MOUNTING PLATE (M11)											
18	011582J HEX SOCKET SCREW (M11)	73	027843J WIRE CLIP (M11)											
19	2459057 MOTOR (INDOOR FAN) (M11)	74	NA ACCESSORIES ASSY. (1) (M11)											
20	4015746 MOTOR BASE (M11)	75	038187J THERMAL INSULATION TUBE (M11)											
21	4007850 LOCK PLATE/ FAN MOTOR (M11)	76	2544361 THERMAL INSULATION TUBE (M11)											
22	4016362 FAN SHAFT ASSY. (M11)	77	4000023 SEALING MATERIAL (M11)											
23	1876279 FAN BEARING PLATE (M11)	78	032284J SEALER/ DRAIN HOSE (M11)											
24	170618J BUSHING (LOW VOLTAGE) (M11)	79	2533760 HOSE BAND (M11)											
25	144573J BUSHING (M11)	80	980773 TIE WRAP (M11)											
26	2398671 THERMISTOR ASSY. (AIR) (M11)	81	1755334 WASHER FIXING MATERIAL (M11)											
27	2456166 FAN BEARING VIBRATION ABSORBER (M11)	82	2455745 DRAIN HOSE (M11)											
28	443026J MOUNTING PLATE/ FAN BEARING (M11)	83	2261298 SEALING MATERIAL (M11)											
29	019928J COUPLING RUBBER (M11)	84	2393001 CONDUIT MOUNTING PLATE (M11)											
30	4016363 SWITCH BOX ASSY. (M11)	85	2550999 TRUSS HEAD TAPPING SCREW PACK (M11)											
31	2374668 SET PLATE/ IMPLEMENT USE (4) (M11)	86	2546670 CAUTION LABEL (ELECTRIC SHOCK) (M11)											
32	2374675 RESIN CASE (M11)	87	4023075 CAUTION LABEL (ROTATING) (M11)											
33	2548407 PRINTED CIRCUIT BOARD ASSY. (CONTROL) (M11)	88	2551008 WIRING DIAGRAM LABEL (M11)											
34	065339J CAPACITY SETTING ADAPTOR (M11)	Expanded Model Nomenclature												
35	2395519 TERMINAL BLOCK (M11)	<table border="1"> <tr><td>M1 - FXSQ05TBVJU</td></tr> <tr><td>M2 - FXSQ07TBVJU</td></tr> <tr><td>M3 - FXSQ09TBVJU</td></tr> <tr><td>M4 - FXSQ12TBVJU</td></tr> <tr><td>M5 - FXSQ15TBVJU</td></tr> <tr><td>M6 - FXSQ18TBVJU</td></tr> <tr><td>M7 - FXSQ24TBVJU</td></tr> <tr><td>M8 - FXSQ30TBVJU</td></tr> <tr><td>M9 - FXSQ36TBVJU</td></tr> <tr><td>M10 - FXSQ48TBVJU</td></tr> <tr><td>M11 - FXSQ54TBVJU</td></tr> </table>		M1 - FXSQ05TBVJU	M2 - FXSQ07TBVJU	M3 - FXSQ09TBVJU	M4 - FXSQ12TBVJU	M5 - FXSQ15TBVJU	M6 - FXSQ18TBVJU	M7 - FXSQ24TBVJU	M8 - FXSQ30TBVJU	M9 - FXSQ36TBVJU	M10 - FXSQ48TBVJU	M11 - FXSQ54TBVJU
M1 - FXSQ05TBVJU														
M2 - FXSQ07TBVJU														
M3 - FXSQ09TBVJU														
M4 - FXSQ12TBVJU														
M5 - FXSQ15TBVJU														
M6 - FXSQ18TBVJU														
M7 - FXSQ24TBVJU														
M8 - FXSQ30TBVJU														
M9 - FXSQ36TBVJU														
M10 - FXSQ48TBVJU														
M11 - FXSQ54TBVJU														
36	2548408 PRINTED CIRCUIT BOARD ASSY. (FAN) (M11)													
37	2397940 REACTOR (M11)													
38	2261072 EARTH WIRE (M11)													
39	4015731 SERVICE LID ASSY. (M11)													
40	2261089 MOTOR (DRAIN PUMP) (M11)													
41	2534708 FLOAT SWITCH ASSY. (M11)													
42	2002033 TERMINAL BLOCK (REMOTE CONTROLLER) (M11)													
43	042425J TRUSS HEAD TAPPING SCREW (M11)													
44	113783J TAPPING SCREW (M11)													
45	174888J PAN HEAD TAPPING SCREW (M11)													
46	352004 WIRE CLIP (M11)													
47	027843J WIRE CLIP (M11)													
48	1855164 HARNESS LIFTER (M11)													
49	0816755 RESIN CLAMP (M11)													
50	109688J TRUSS HEAD TAPPING SCREW (M11)													
51	121072J CROSS-RECESSED TAPPING SCREW (M11)													
52	4016367 TOP PLATE ASSY. (M11)													
53	2261135 SIDE PLATE (RIGHT) (M11)													
54	2546603 SIDE PLATE (LEFT) (M11)													
55	4016368 CHAMBER COVER (1) (M11)													