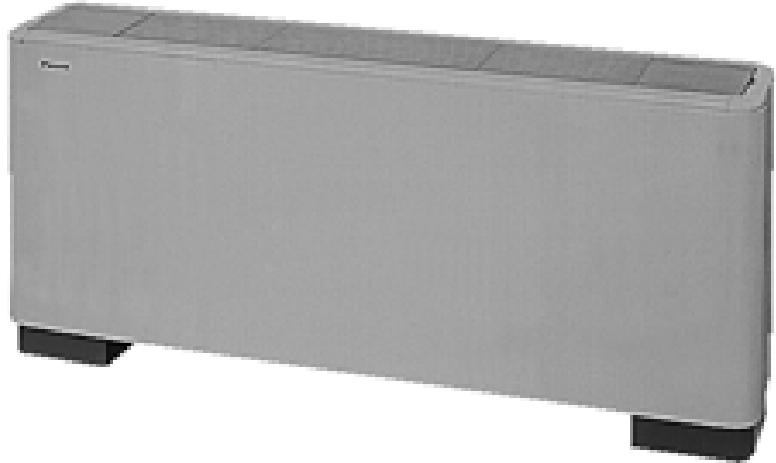


FXLQ** Indoor Floor Standing Indoor Unit

FXLQ07MVJU9

FXLQ09MVJU9



This manual is to be used by qualified technicians only.

Important Information

Index

Functional Parts List	3
Illustration and Parts	4 - 5

Views shown are for parts illustrations only, not servicing procedures

Text Codes:

AR - As Required

NA - Not Available

NS - Not Shown

00000000 - See Note

QTY - Quantity Example (QTY 3) (If Quantity not shown, Quantity = 1)

M - Model Example (M1) (If M Code not shown, then part is used on all Models)

Expanded Model Nomenclature:

Example M1 - Model#1 M2 - Model#2 M3 - Model#3

Daikin Manufacturing Company, L.P. is not responsible for personal injury or property damage resulting from improper service. Review all service information before beginning repairs.

Warranty service must be performed by an authorized technician, using authorized factory parts. If service is required after the warranty expires, Daikin Manufacturing Company, L.P. also recommends contacting an authorized technician and using authorized factory parts.

Daikin Manufacturing Company, L.P. reserves the right to discontinue, or change at any time, specifications or designs without notice or without incurring obligations.

For assistance within the U.S.A. contact:

Consumer Affairs Department

Daikin North America, LLC

7401 Security Way

Houston, Texas 77040

855-770-5678-Telephone

713-863-2382-Facsimile

For assistance outside the U.S.A. contact:

International Division

Daikin North America, LLC

7401 Security Way

Houston, Texas 77040

713-861-2500-Telephone

713-863-2382-Facsimile

Functional Parts

Part

No:

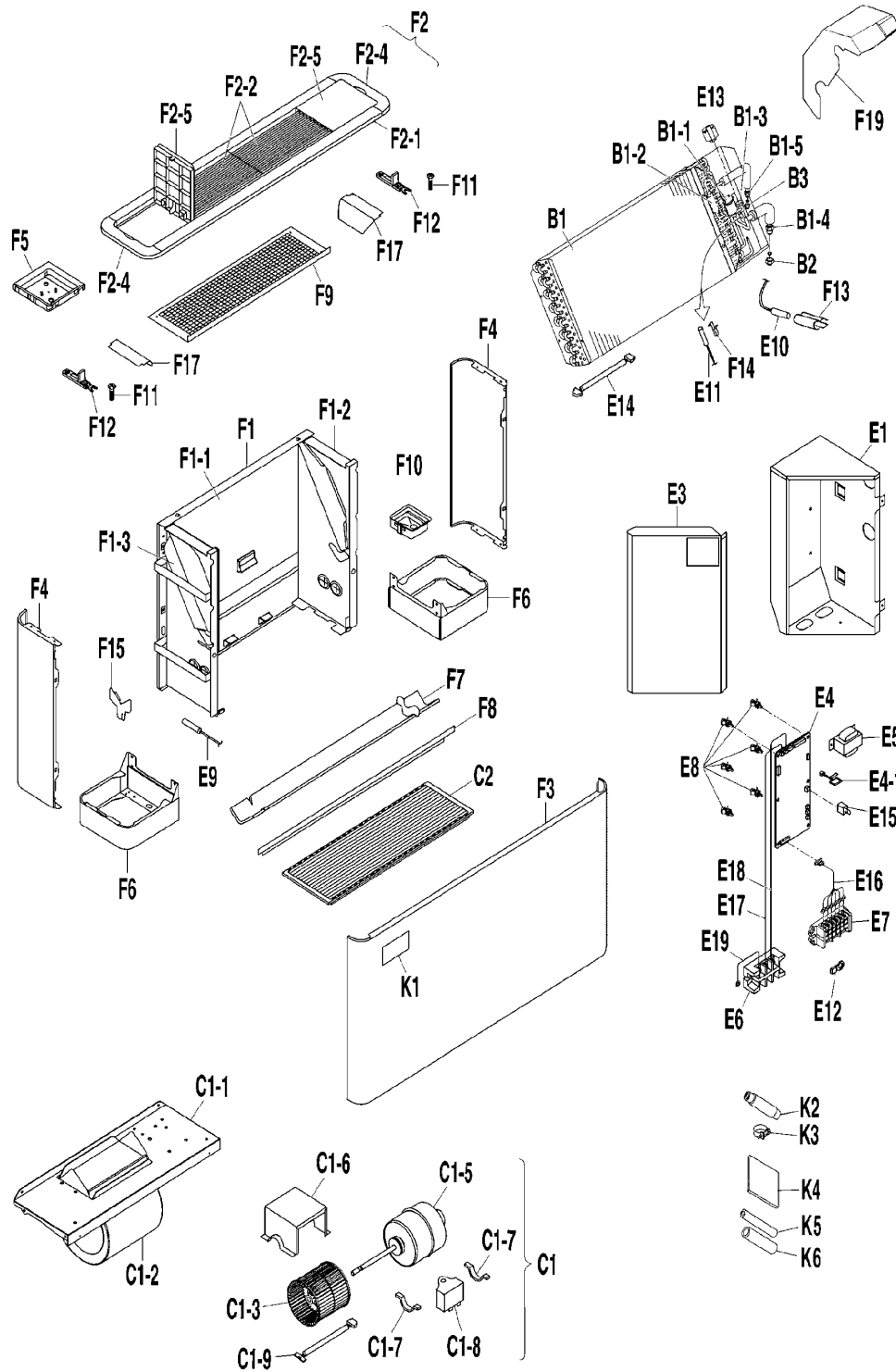
Description:

2023357	CAPACITOR/ FAN MOTOR
100270J	FAN MOTOR
1985111	THERMISTOR (COIL GAS)
024277J	THERMISTOR (COIL INDOOR AIR)
063152J	THERMISTOR (FOR COIL LIQUID)
149153J	TRANSFORMER

Expanded Model Nomenclature

M1 - FXLQ07MVJU9

M2 - FXLQ09MVJU9



Ref #	Picture #
1	B1
2	B1-1
3	B1-2
4	B1-3
5	B1-4
6	B1-5
7	B2
8	B3
9	C1
10	C1-1
11	C1-2
12	C1-3
13	C1-5
14	C1-6
15	C1-7
16	C1-8
17	C1-9
18	C2
19	E1
20	E3
21	E4
22	E4-1
23	E5
24	E6
25	E7
26	E8
27	E9
28	E10
29	E11
30	E12
31	E13
32	E14
33	E15
34	E16
35	E17
36	E18
37	E19
38	F1
39	F1-1
40	F1-2
41	F1-3
42	F2
43	F2-1
44	F2-2
45	F2-4
46	F2-5
47	F3
48	F4
49	F5
50	F6
51	F7
52	F8
53	F9
54	F10
55	F11
56	F12
57	F13
58	F14
59	F15
60	F17
61	F19
62	K1
63	K2
64	K3
65	K4
66	K5
67	K6

Ref. Part No: No:	Description:	Ref. Part No: No:	Description:		
Image 1:		Image 1:			
1	167422J	56	0989437		
	EVAPORATOR ASSY. (M1)		LOCK METAL/ TOP PLATE (QTY 2)		
1	2023364	57	052175J		
	EVAPORATOR ASSY. (M2)		FIXTURE/ FEELER BULB		
2	107956J	58	380120J		
	DISTRIBUTOR (M1)		FITTING SPRING/ THERMISTOR		
2	105842J	59	098914J		
	DISTRIBUTOR (WITH FILTER) (M2)		SET PLATE/ DRAIN PAN		
3	097343J	60	1004771		
	REFRIGERANT FILTER		AIR DIRECTION PLATE (QTY 2)		
4	1674149	61	1416615		
	BODY/ ELECTRONIC EXP. VALVE (M1)		CASING ASSY. (2)		
4	1674156	62	099362J		
	BODY/ ELECTRONIC EXP. VALVE (M2)		NAMEPLATE DAIKIN		
5	257580J	63	537168		
	UNION JOINT		DRAIN HOSE		
6	257576J	64	558107J		
	UNION JOINT		HOSE BAND		
7	119849J	65	001439J		
	FLARE NUT		SEALER/ DRAIN HOSE		
8	1723546	66	038187J		
	FLARE NUT		INSULATION TUBE/ LIQUID LINE		
9	2023340	67	031111J		
	FAN ASSY.		INSULATION TUBE/ GAS LINE		
10	1005109	Expanded Model Nomenclature			
	MOUNTING PLATE/ FAN	<table border="1"> <tr> <td>M1 - FXLQ07MVJU9</td> </tr> <tr> <td>M2 - FXLQ09MVJU9</td> </tr> </table>		M1 - FXLQ07MVJU9	M2 - FXLQ09MVJU9
M1 - FXLQ07MVJU9					
M2 - FXLQ09MVJU9					
11	0370312				
	FAN HOUSING ASSY.				
12	124127J				
	FAN ROTOR				
13	100270J				
	FAN MOTOR				
14	036642J				
	SET BASE/ FAN MOTOR				
15	433028J				
	COVER/ FAN BEARING (QTY 2)				
16	2023357				
	CAPACITOR/ FAN MOTOR				
17	0988799				
	WIRE HARNESS/ FAN MOTOR				
18	0987082				
	AIR FILTER				
19	098737J				
	SWITCH BOX				
20	157184J				
	COVER/ SWITCH BOX				
21	2276098				
	PRINTED CIRCUIT ASSY. (CONTROL)				
22	066963J				
	CAPACITY SETTING ADAPTOR (M1)				
22	066964J				
	CAPACITY SETTING ADAPTOR (M2)				
23	149153J				
	TRANSFORMER				
24	130774J				
	TERMINAL BLOCK (POWER SUPPLY)				
25	2002033				
	TERMINAL BLOCK (REMOTE CONTROLLER)				
26	380401J				
	LOCKING CARD SPACER (QTY 6)				
27	024277J				
	THERMISTOR (COIL INDOOR AIR)				
28	063152J				
	THERMISTOR (FOR COIL LIQUID)				
29	1985111				
	THERMISTOR (COIL GAS)				
30	388339J				
	LOCK METAL				
31	2116653				
	MOTOR/ ELECTRONIC EXP. VALVE				
32	099348J				
	LEAD WIRE/ ELECTRONIC EXP. VALVE				
33	066105J				
	CONNECTOR/ SHORT CIRCUIT				
34	1516995				
	WIRE HARNESS (2)				
35	0993474				
	WIRE HARNESS				
36	1008898				
	WIRE HARNESS				
37	NA				
	EARTH WIRE				
38	2180344				
	FRAME ASSY.				
39	2276113				
	REAR PLATE				
40	2276120				
	SIDE PLATE				
41	2276137				
	SIDE PLATE				
42	1004834				
	TOP PLATE ASSY.				
43	103986J				
	TOP PLATE (QTY 2)				
44	098710J				
	AIR DISCHARGE GRILLE (QTY 2)				
45	1004252				
	SIDE CAP (QTY 2)				
46	098709J				
	TOP PLATE (QTY 2)				
47	1004858				
	FRONT PLATE ASSY.				
48	098776J				
	SIDE PLATE (QTY 2)				
49	0987075				
	FITTING METAL/ REMOTE CONTROLLER				
50	098931J				
	BOTTOM FRAME ASSY. (QTY 2)				
51	2276144				
	DRAIN PAN ASSY.				
52	098871J				
	PARTITION PLATE/ EVAPORATOR				
53	2276151				
	PROTECTION NET				
54	101446J				
	DRIP PAN ASSY.				
55	1033452				
	SET SCREW (QTY 2)				