

FXFQTVJU Inverter Air Conditioner Ceiling Mounted Cassette Type**

FXFQ07TVJU
FXFQ09TVJU
FXFQ12TVJU
FXFQ15TVJU
FXFQ18TVJU
FXFQ24TVJU
FXFQ30TVJU
FXFQ36TVJU
FXFQ48TVJU

This manual is to be used by qualified technicians only.

© 2015 **DAIKIN NORTH AMERICA LLC** ♦ 5151 San Felipe St., Suite 500 ♦ Houston, TX 77056

Important Information

Index

Functional Parts List	3
Illustration and Parts	4 - 9

Views shown are for parts illustrations only, not servicing procedures

Text Codes:

AR - As Required

NA - Not Available

NS - Not Shown

00000000 - See Note

QTY - Quantity Example (QTY 3) (If Quantity not shown, Quantity = 1)

M - Model Example (M1) (If M Code not shown, then part is used on all Models)

Expanded Model Nomenclature:

Example M1 - Model#1 M2 - Model#2 M3 - Model#3

Daikin Manufacturing Company, L.P. is not responsible for personal injury or property damage resulting from improper service. Review all service information before beginning repairs.

Warranty service must be performed by an authorized technician, using authorized factory parts. If service is required after the warranty expires, Daikin Manufacturing Company, L.P. also recommends contacting an authorized technician and using authorized factory parts.

Daikin Manufacturing Company, L.P. reserves the right to discontinue, or change at any time, specifications or designs without notice or without incurring obligations.

For assistance within the U.S.A. contact:

Consumer Affairs Department
Daikin North America, LLC
7401 Security Way
Houston, Texas 77040
855-770-5678-Telephone
713-863-2382-Facsimile

For assistance outside the U.S.A. contact:

International Division
Daikin North America, LLC
7401 Security Way
Houston, Texas 77040
713-861-2500-Telephone
713-863-2382-Facsimile

Functional Parts

Part

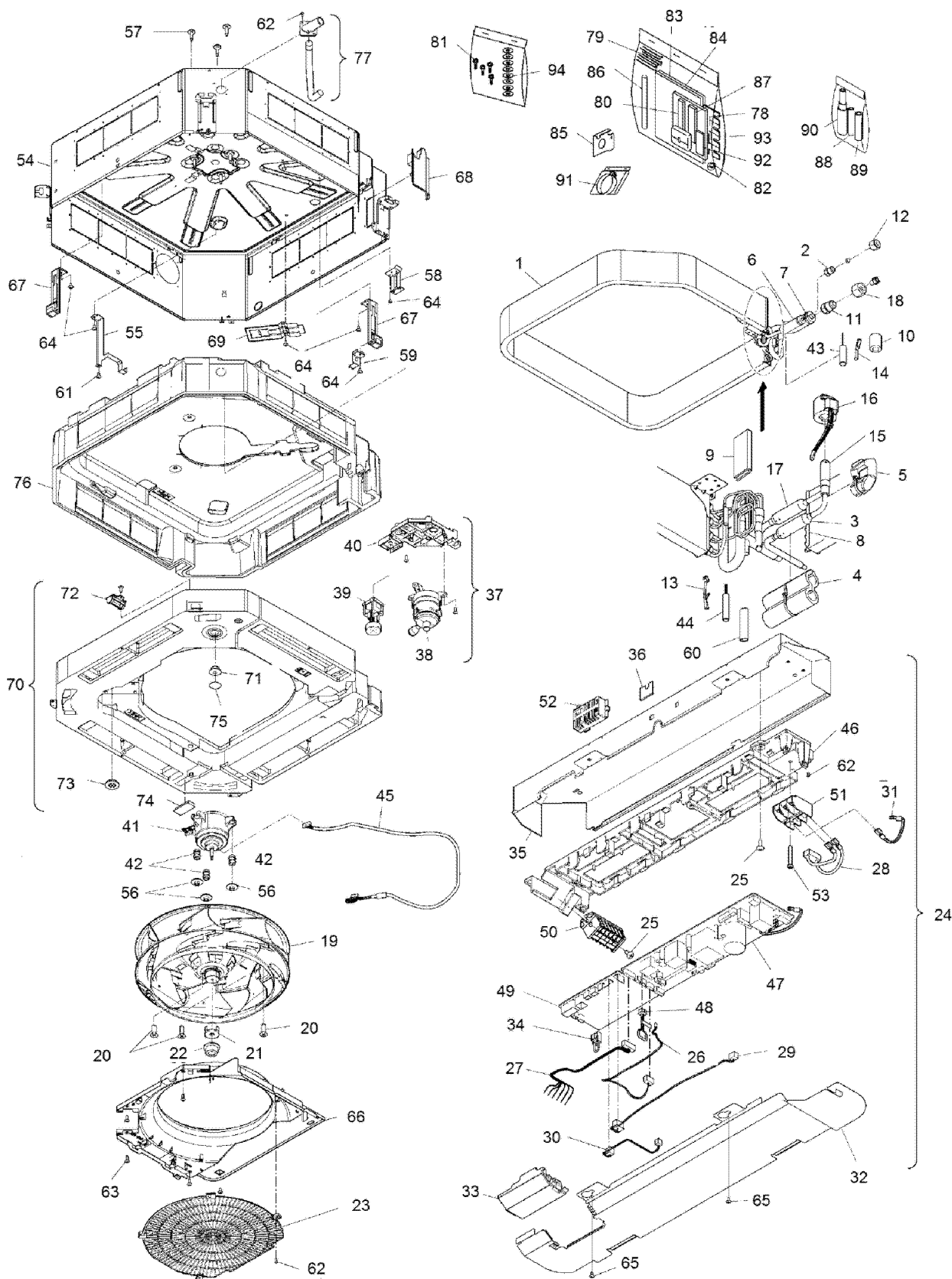
No: Description:

2006011	DC FAN MOTOR (M7, M8, M9)
1993105	DC FAN MOTOR (M1, M2, M3, M4, M5, M6)
2065438	FLOAT SWITCH
1992809	PRINTED CIRCUIT ASSY. (ADAPTOR)
2223474	PRINTED CIRCUIT ASSY. (MAIN)
1992900	THERMISTOR (AIR)
2124971	THERMISTOR ASSY. (COIL)
1992986	THERMISTOR ASSY. (COIL)

Expanded Model Nomenclature

M1 - FXFQ07TVJU
M2 - FXFQ09TVJU
M3 - FXFQ12TVJU
M4 - FXFQ15TVJU
M5 - FXFQ18TVJU
M6 - FXFQ24TVJU
M7 - FXFQ30TVJU
M8 - FXFQ36TVJU
M9 - FXFQ48TVJU

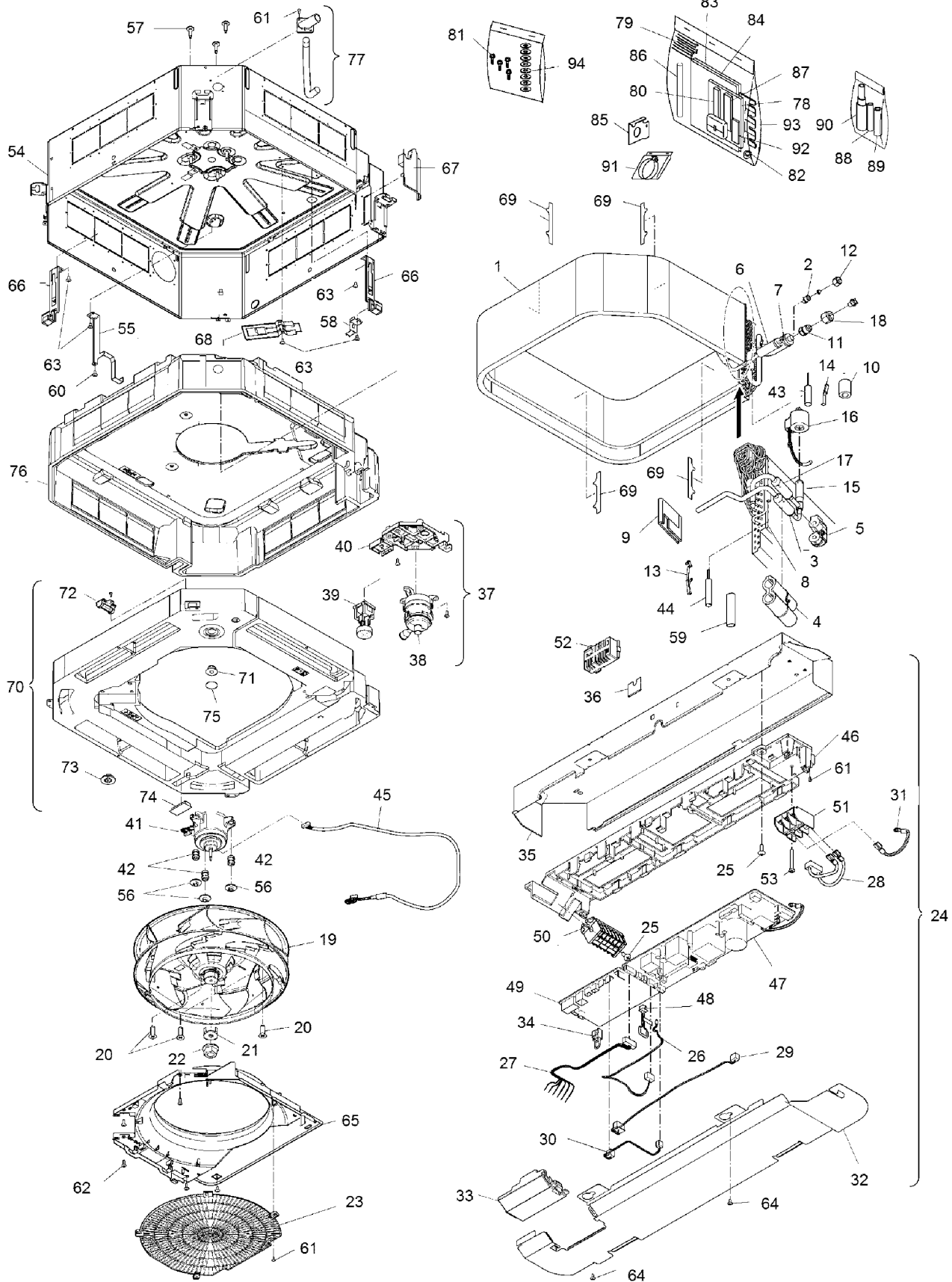
— TOP —

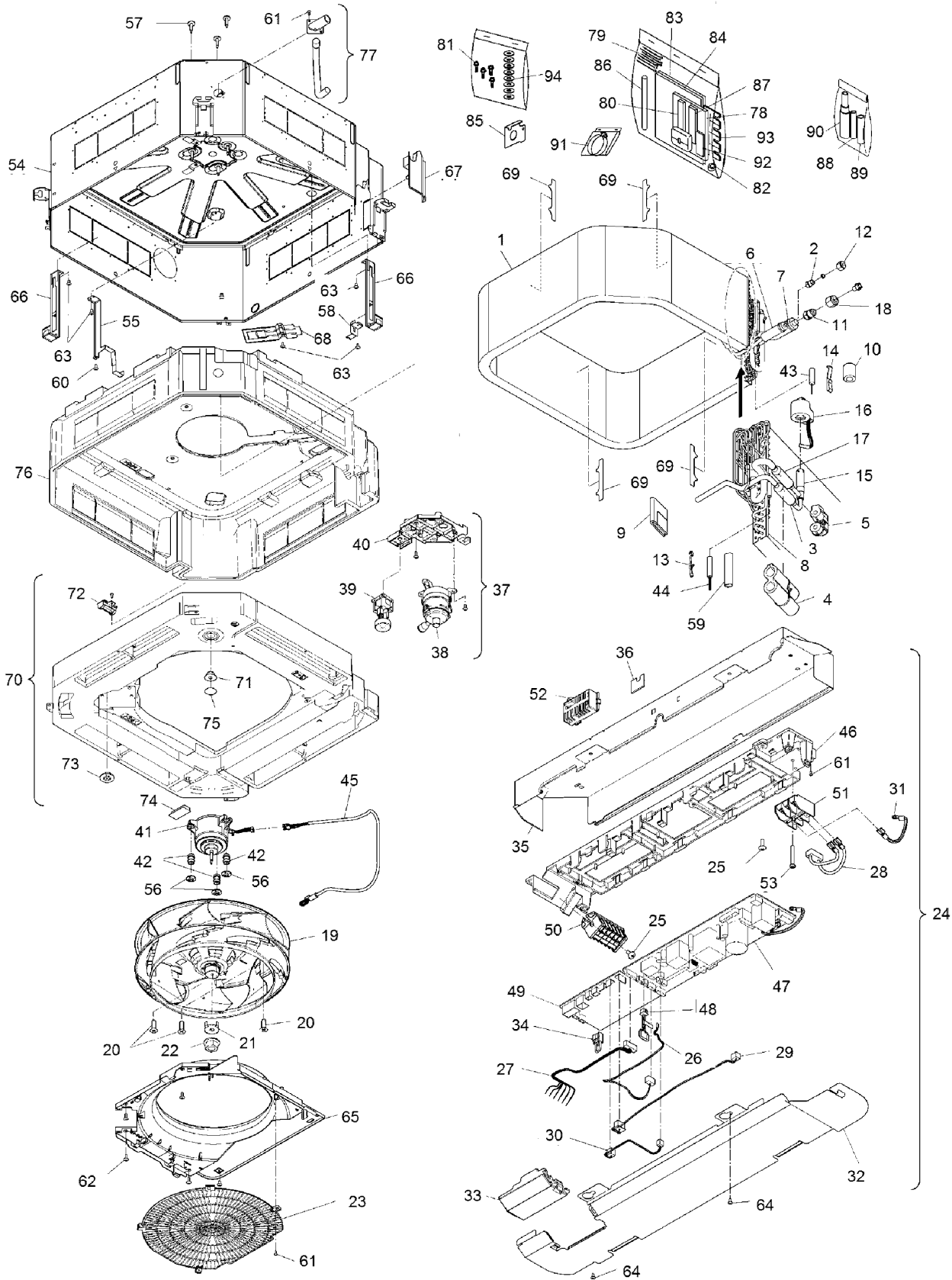


Ref. Part No: No:	Description:	Ref. Part No: No:	Description:
Image 1:		Image 1:	
1	1993028	51	153623J
	EVAPORATOR ASSY. (M1, M2, M3)		TERMINAL BLOCK (M1, M2, M3, M4)
1	1993035	52	2211116
	EVAPORATOR ASSY. (M4)		PLASTIC CASE (M1, M2, M3, M4)
2	019842J	53	1844203
	UNION JOINT/ LIQUID LINE (M1, M2, M3, M4)		PAN HEAD TAPPING SCREW (M1, M2, M3, M4)
3	1912586	54	2013468
	REFRIGERANT FILTER (M1, M2, M3, M4)		CASING FRAME (M1, M2, M3, M4)
4	1912601	55	2057691
	PUTTY (M1, M2, M3, M4)		PLATE FINNED COIL/ MOUNT PLATE (M1, M2, M3, M4)
5	1912618		
	PUTTY (M1, M2, M3, M4)	56	054199J
6	4012783		FLANGE NUT (M1, M2, M3, M4)
	PIPE INSULATION PIPE COVER (M1, M2, M3, M4)	57	108989J
7	168688J		SET BOLT/ FAN MOTOR (M1, M2, M3, M4)
	THERMAL INSULATION TUBE (M1, M2, M3, M4)	58	2014959
8	2218061		SET PLATE (M1, M2, M3, M4)
	SEALING MATERIAL (M1, M2, M3, M4)	59	2218092
9	1997316		MOUNTING PLATE/ EXP. VALVE (M1, M2, M3, M4)
	PUTTY (M1, M2, M3, M4)	60	2161730
10	139852J		SEALING MATERIAL (M1, M2, M3, M4)
	HEAT INSULATION TUBE (M1, M2, M3, M4)	61	113783J
11	257580J		TAPPING SCREW (M1, M2, M3, M4)
	UNION JOINT (M1, M2, M3, M4)	62	008203J
12	1723546		TRUSS HEAD TAPPING SCREW (M1, M2, M3, M4)
	FLARE NUT (M1, M2, M3, M4)	63	123760J
13	042396J		TRUSS HEAD TAPPING SCREW (M1, M2, M3, M4)
	FITTING SPRING/ THERMISTOR (M1, M2, M3, M4)	64	116692J
14	380120J		TRUSS HEAD TAPPING SCREW (M1, M2, M3, M4)
	FITTING SPRING/ THERMISTOR (M1, M2, M3, M4)	65	084212J
15	1901764		GROUNDING TERMINAL (M1, M2, M3, M4)
	BODY/ ELECTRONIC EXP. VALVE (M1, M2, M3)	66	2013499
15	1901771		BELL MOUTH (M1, M2, M3, M4)
	BODY/ ELECTRONIC EXP. VALVE (M4)	67	2013507
16	2014904		SET PLATE (M1, M2, M3, M4)
	COIL/ ELECTRONIC EXP. VALVE (M1, M2, M3, M4)	68	170316J
17	1912593		RETAINER/ REF. PIPING (M1, M2, M3, M4)
	REFRIGERANT FILTER (M1, M2, M3, M4)	69	2077727
18	119849J		HOLD PLATE (M1, M2, M3, M4)
	FLARE NUT (M1, M2, M3, M4)	70	2005119
19	1686731		DRAIN PAN ASSY. (M1, M2, M3, M4)
	TURBO FAN ROTOR (M1, M2, M3, M4)	71	2013576
20	143097J		DRAIN SOCKET CAP (M1, M2, M3, M4)
	FLAT HEAD SCREW (M1, M2, M3, M4)	72	1985421
21	066216J		ANTI-BACTERIAL AGENTS ASSY. (M1, M2, M3, M4)
	LOCK WASHER (M1, M2, M3, M4)	73	127028J
22	015774J		CAP/ DRAIN SOCKET (M1, M2, M3, M4)
	LOCK NUT/ FAN ROTOR (M1, M2, M3, M4)	74	2044431
23	2013608		SEALING MATERIAL ASSY. (M1, M2, M3, M4)
	PROTECTION NET/ AIR INLET (M1, M2, M3, M4)	75	2044448
24	NA		HEAT INSULATION COVER (M1, M2, M3, M4)
	ELECTRIC COMPONENT ASSY. (M1, M2, M3, M4)	76	2014966
25	2223481		HEAT INSULATION COVER (M1, M2, M3, M4)
	TAPPING SCREW (M1, M2, M3, M4)	77	2013932
26	1992900		DRAIN HOSE ASSY. (M1, M2, M3, M4)
	THERMISTOR (AIR) (M1, M2, M3, M4)	78	032284J
27	1993004		SEALER/ DRAIN HOSE (M1, M2, M3, M4)
	WIRE HARNESS (REMOTE CONTROLLER) (M1, M2, M3, M4)	79	980723J
28	1993011		WIRE CLAMP (M1, M2, M3, M4)
	WIRE HARNESS (POWER SUPPLY) (M1, M2, M3, M4)	80	001439J
29	1992847		SEALER/ DRAIN HOSE (M1, M2, M3, M4)
	WIRE HARNESS (POWER SUPPLY) (M1, M2, M3, M4)	81	084212J
30	1992854		GROUNDING TERMINAL (M1, M2, M3, M4)
	WIRE HARNESS (ACS TRANSMISSION) (M1, M2, M3, M4)	82	163556J
31	2026154		ANTISWEAT COVER (M1, M2, M3, M4)
	EARTH WIRE (M1, M2, M3, M4)	83	NA
32	2013413		OPERATION MANUAL (M1, M2, M3, M4)
	COVER/ SWITCH BOX (M1, M2, M3, M4)	84	NA
33	2013420		INSTALLATION MANUAL (M1, M2, M3, M4)
	PLASTIC CASE (M1, M2, M3, M4)	85	2223498
34	2026161		CONDUIT MOUNTING PLATE (M1, M2, M3, M4)
	CONNECTOR ASSY. (M1, M2, M3, M4)	86	2223506
35	2013381		ELECTRIC INSULATION (M1, M2, M3, M4)
	SWITCH BOX (M1, M2, M3, M4)	87	170323J
36	2014942		SEALING MATERIAL (M1, M2, M3, M4)
	SEALER (M1, M2, M3, M4)	88	038187J
37	NA		INSULATION TUBE/ LIQUID LINE (M1, M2, M3, M4)
	DRAIN PUMP ASSY. (M1, M2, M3, M4)	89	031111J
38	2013437		INSULATION TUBE/ GAS LINE (M1, M2, M3, M4)
	DRAIN PUMP (M1, M2, M3, M4)	90	152134J
39	2065438		DRAIN HOSE (M1, M2, M3, M4)
	FLOAT SWITCH (M1, M2, M3, M4)	91	537320J
40	2013451		HOSE BAND (M1, M2, M3, M4)
	MOUNTING PLATE/ DRAIN PUMP (M1, M2, M3, M4)	92	143192J
41	1993105		HEAT INSULATION COVER (M1, M2, M3, M4)
	DC FAN MOTOR (M1, M2, M3, M4)	93	1888001
42	053203J		WASHER/ FIXING MATERIAL (M1, M2, M3, M4)
	CUSHION RUBBER/ FAN MOTOR (M1, M2, M3, M4)	94	1755497
43	1992986		PLAIN WASHER (M1, M2, M3, M4)
	THERMISTOR ASSY. (COIL) (M1, M2, M3, M4)		
44	2124971		
	THERMISTOR ASSY. (COIL) (M1, M2, M3, M4)		
45	2182155		
	WIRE HARNESS ASSY. (FAN MOTOR) (M1, M2, M3, M4)		
46	2013398		
	PLASTIC CASE (M1, M2, M3, M4)		
47	2223474		
	PRINTED CIRCUIT ASSY. (MAIN) (M1, M2, M3, M4)		
48	065331J		
	CAPACITY SETTING ADAPTOR (M3)		
48	065340J		
	CAPACITY SETTING ADAPTOR (M4)		
48	066963J		
	CAPACITY SETTING ADAPTOR (M1)		
48	066964J		
	CAPACITY SETTING ADAPTOR (M2)		
49	1992809		
	PRINTED CIRCUIT ASSY. (ADAPTOR) (M1, M2, M3, M4)		
50	6000675		
	TERMINAL BLOCK (M1, M2, M3, M4)		

Expanded Model Nomenclature

M1 - FXFQ07TVJU
M2 - FXFQ09TVJU
M3 - FXFQ12TVJU
M4 - FXFQ15TVJU
M5 - FXFQ18TVJU
M6 - FXFQ24TVJU
M7 - FXFQ30TVJU
M8 - FXFQ36TVJU
M9 - FXFQ48TVJU





Ref. Part No: No:	Description:	Ref. Part No: No:	Description:
Image 1:		Image 1:	
1	1993059	56	054199J
2	019843J	57	108989J
3	1912586	58	2218092
4	1912601	59	2161730
5	1912618	60	113783J
6	4012783	61	008203J
7	168688J	62	123760J
8	2218061	63	116692J
9	2014928	64	084212J
10	139852J	65	2012427
11	257589J	66	2013521
12	119848J	67	170316J
13	042396J	68	2077727
14	380120J	69	2013569
15	1901788	70	2005126
16	2014904	71	2013576
17	1912593	72	1985421
18	119850J	73	127028J
19	1686731	74	2044431
20	143097J	75	2044448
21	066216J	76	2013590
22	015774J	77	2013932
23	2013608	78	032284J
24	NA	79	980723J
25	2223481	80	001439J
26	1992900	81	084212J
27	1993004	82	163556J
28	1993011	83	NA
29	1992847	84	NA
30	1992854	85	2223498
31	2026154	86	2223506
32	2013413	87	170323J
33	2013420	88	038187J
34	2026161	89	031111J
35	2013381	90	152134J
36	2014942	91	537320J
37	NA	92	143192J
38	2013437	93	1888001
39	2065438	94	1755497
40	2013451	Expanded Model Nomenclature	
41	2006011	M1 - FXFQ07TVJU	
42	053203J	M2 - FXFQ09TVJU	
43	1992986	M3 - FXFQ12TVJU	
44	2124971	M4 - FXFQ15TVJU	
45	2182155	M5 - FXFQ18TVJU	
46	2013398	M6 - FXFQ24TVJU	
47	2223474	M7 - FXFQ30TVJU	
48	065337J	M8 - FXFQ36TVJU	
48	065338J	M9 - FXFQ48TVJU	
48	066965J		
49	1992809		
50	6000675		
51	153623J		
52	2211116		
53	1844203		
54	2013475		
55	2057677		