

One Way Blower Cassette

FXEQ07PVJU
FXEQ09PVJU
FXEQ12PVJU
FXEQ15PVJU
FXEQ18PVJU
FXEQ24PVJU



This manual is to be used by qualified technicians only.

© 2016 **DAIKIN MANUFACTURING COMPANY, L.P.** ♦ 5151 San Felipe St., Suite 500 ♦ Houston, TX 77056

Important Information

Index

Functional Parts List	3
Illustration and Parts	4 - 7

Views shown are for parts illustrations only, not servicing procedures

Text Codes:

AR - As Required

NA - Not Available

NS - Not Shown

00000000 - See Note

QTY - Quantity Example (QTY 3) (If Quantity not shown, Quantity = 1)

M - Model Example (M1) (If M Code not shown, then part is used on all Models)

Expanded Model Nomenclature:

Example M1 - Model#1 M2 - Model#2 M3 - Model#3

Daikin Company, L.P. is not responsible for personal injury or property damage resulting from improper service. Review all service information before beginning repairs.

Warranty service must be performed by an authorized technician, using authorized factory parts. If service is required after the warranty expires, Daikin Company, L.P. also recommends contacting an authorized technician and using authorized factory parts.

Daikin Company, L.P. reserves the right to discontinue, or change at any time, specifications or designs without notice or without incurring obligations.

For assistance within the U.S.A. contact:

Consumer Affairs Department

Daikin North America, LLC

7401 Security Way

Houston, Texas 77040

855-770-5678-Telephone

713-863-2382-Facsimile

For assistance outside the U.S.A. contact:

International Division

Daikin North America, LLC

7401 Security Way

Houston, Texas 77040

713-861-2500-Telephone

713-863-2382-Facsimile

Functional Parts

Part

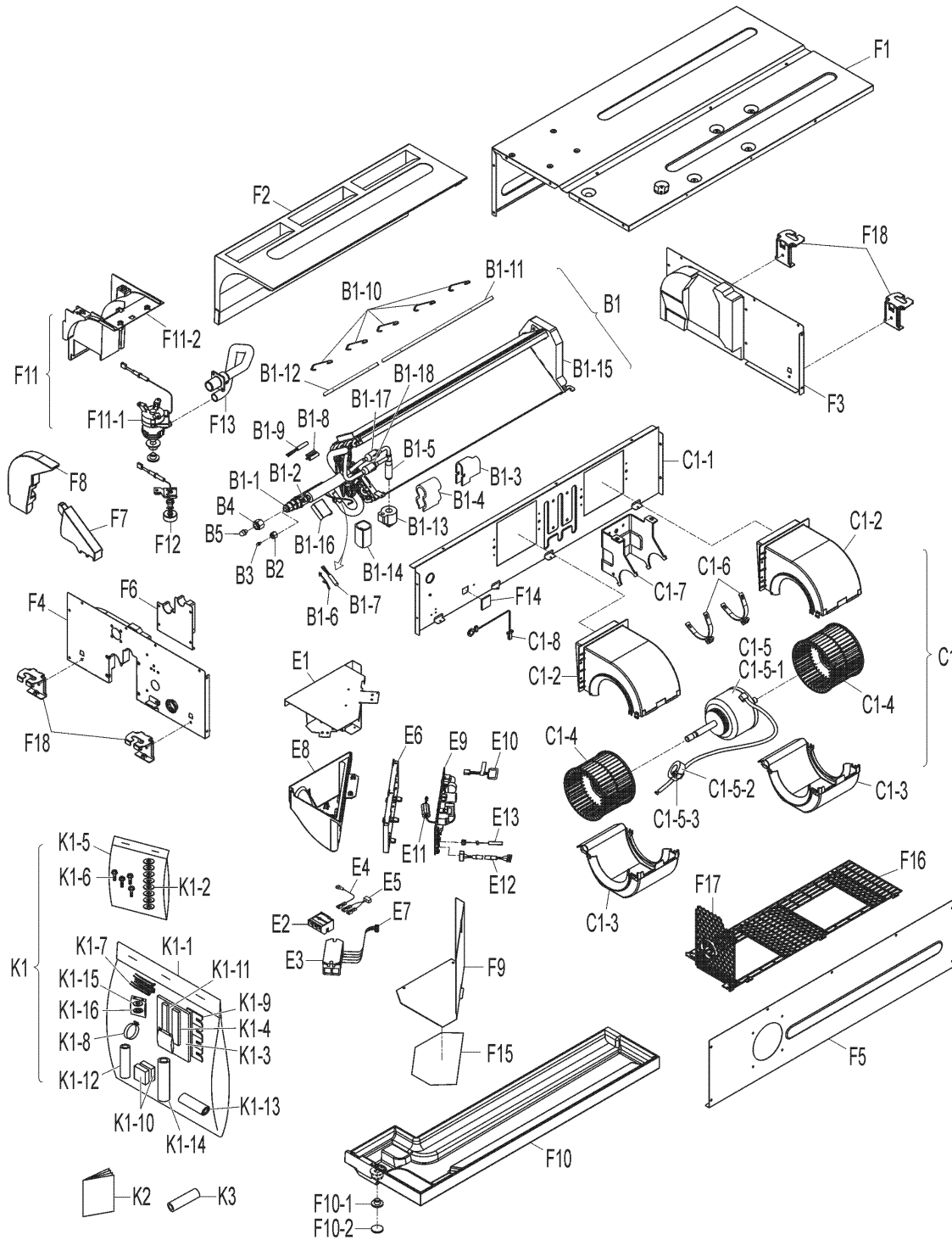
No: Description:

6017777	DC FAN MOTOR (M5, M6)
6017741	DC FAN MOTOR (M1, M2, M3, M4)
6017766	DRAIN PUMP
6017752	THERMISTOR (AIR)
6017733	THERMISTOR (GAS)
6017734	THERMISTOR (LIQUID)

Expanded Model Nomenclature

M1 - FXEQ07PVJU
M2 - FXEQ09PVJU
M3 - FXEQ12PVJU
M4 - FXEQ15PVJU
M5 - FXEQ18PVJU
M6 - FXEQ24PVJU

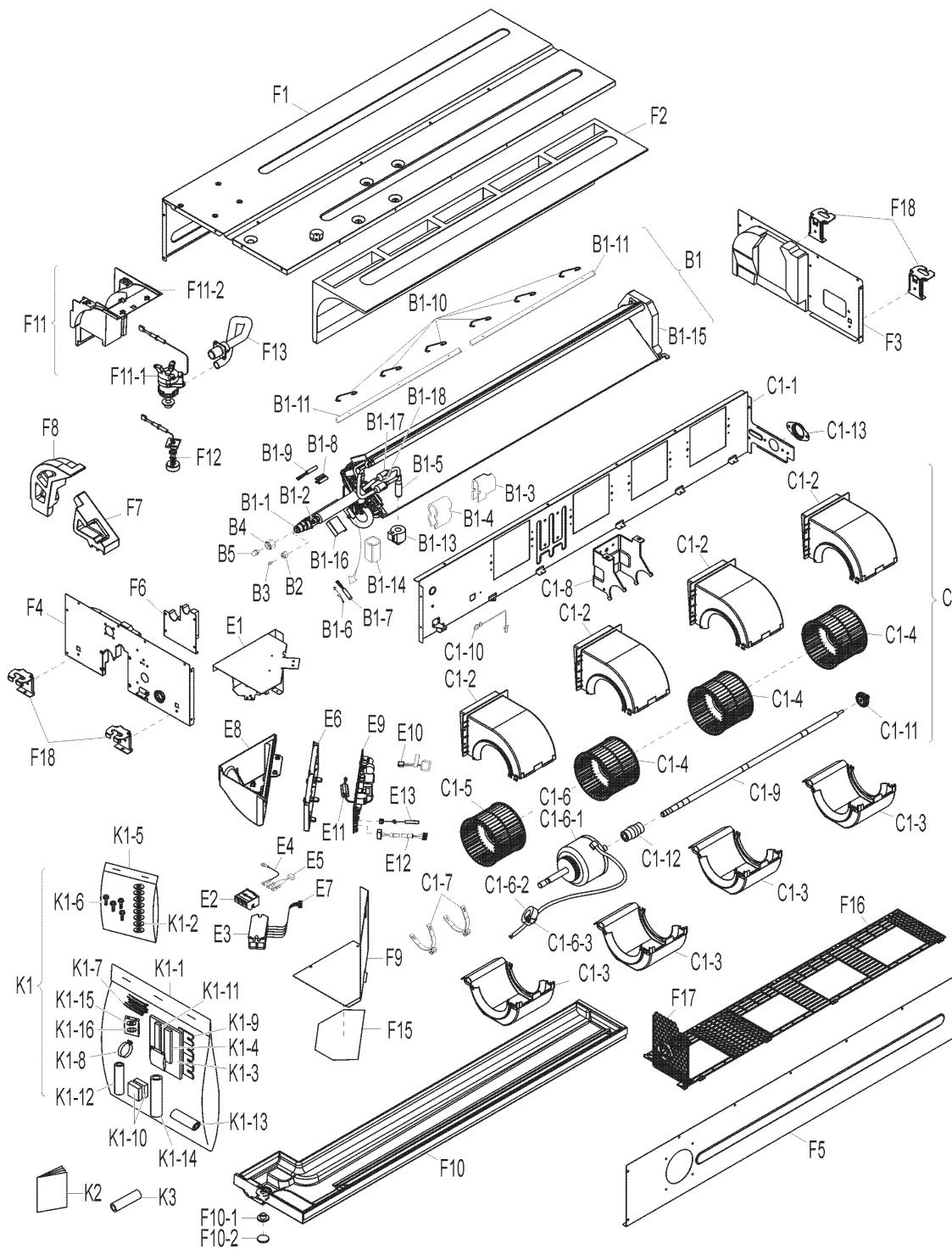
— TOP —



Drawing #	Reference #
B1	1
B1	1
B1-1	2
B1-10	3
B1-11	4
B1-12	5
B1-13	6
B1-14	7
B1-14	7
B1-15	8
B1-16	9
B1-17	10
B1-18	11
B1-2	12
B1-3	13
B1-4	14
B1-5	15
B1-5	15
B1-6	16
B1-7	17
B1-8	18
B1-9	19
B2	20
B3	21
B4	22
B5	23
C1	24
C1-1	25
C1-2	26
C1-3	27
C1-4	28
C1-5	29
C1-5-1	30
C1-5-2	31
C1-5-3	32
C1-6	33
C1-7	34
C1-8	35
E1	36
E10	37
E10	37
E10	37
E10	37
E11	38
E12	39
E13	40
E2	41
E3	42
E4	43
E5	44
E6	45
E7	46
E8	47
E9	48
F1	49
F10	50
F10-1	51
F10-2	52
F11	53
F11-1	54
F11-2	55
F12	56
F13	57
F14	58
F15	59
F16	60
F17	61
F18	62
F2	63
F3	64
F4	65
F5	66
F6	67
F7	68
F8	69
F9	70
K1	71
K1-1	72
K1-10	73
K1-11	74
K1-12	75
K1-13	76
K1-14	77
K1-15	78
K1-16	79
K1-2	80
K1-3	81
K1-4	82
K1-5	83
K1-6	84
K1-7	85
K1-8	86
K1-9	87
K2	88
K3	89

Ref. Part No: No:	Description:	Ref. Part No: No:	Description:							
Image 1:		Image 1:								
1	6017732	EVAPORATOR ASSY. (M1, M2, M3)	52	6017764	THERMAL INSULATION (M1, M2, M3, M4)					
1	6017773	EVAPORATOR ASSY. (M4)	53	6017765	DRAIN PUMP ASSY. (M1, M2, M3, M4)					
2	257580J	UNION JOINT (M1, M2, M3, M4)	54	6017766	DRAIN PUMP (M1, M2, M3, M4)					
3	NA	WIRE SPRING (M1, M2, M3, M4)	55	6017767	MOUNTING PLATE/ DRAIN PUMP (M1, M2, M3, M4)					
4	6017735	SEALING PLATE ASSY. (M1, M2, M3, M4)	56	6017768	FLOAT SWITCH ASSY. (M1, M2, M3, M4)					
5	6017736	SEALING PLATE ASSY. (M1, M2, M3, M4)	57	6017769	DRAIN HOSE (M1, M2, M3, M4)					
6	2141611	COIL/ ELECTRONIC EXP. VALVE (M1, M2, M3, M4)	58	NA	SEALING MATERIAL (M1, M2, M3, M4)					
7	6025819	SOUNDPROOF PUTTY (M1, M2, M3)	59	6025826	COLLECTIVE INDICATIONS LABEL (M1, M2, M3, M4)					
8	6025820	SOUNDPROOF PUTTY (M4)	60	6017770	AIR INLET PROTECTION NET (M1, M2, M3, M4)					
8	6025821	LEFT SIDE PANEL (RESIN) ASSY. (M1, M2, M3, M4)	61	6017771	AIR INLET PROTECTION NET (M1, M2, M3, M4)					
9	6025822	HEAT EXCHANGER FIXTURE (M1, M2, M3, M4)	62	6017772	HOOK METAL (M1, M2, M3, M4)					
10	2141604	FILTER (M1, M2, M3, M4)	63	6017755	THERMAL INSULATION/ TOP PLATE (M1, M2, M3, M4)					
11	2141596	FILTER (M1, M2, M3, M4)	64	6017756	SIDE PANEL (LEFT) (M1, M2, M3, M4)					
12	257576J	UNION JOINT (M1, M2, M3, M4)	65	6025825	SIDE PANEL (RIGHT) (M1, M2, M3, M4)					
13	1912618	PUTTY (M1, M2, M3, M4)	66	6017758	CHAMBER COVER (M1, M2, M3, M4)					
14	6023044	PUTTY (M1, M2, M3, M4)	67	6017759	THERMAL INSULATION (M1, M2, M3, M4)					
15	2108342	BODY/ ELECTRONIC EXP. VALVE (M1, M2, M3)	68	6017760	BLIND PLATE/ PLATE FINNED COIL (M1, M2, M3, M4)					
15	2108359	BODY/ ELECTRONIC EXP. VALVE (M4)	69	6017761	BLIND PLATE/ PLATE FINNED COIL (M1, M2, M3, M4)					
16	042396J	FITTING SPRING/ THERMISTOR (M1, M2, M3, M4)	70	6017762	COVER/ SWITCH BOX (M1, M2, M3, M4)					
17	6017733	THERMISTOR (GAS) (M1, M2, M3, M4)	71	NA	ACCESSORIES ASSY. (M1, M2, M3, M4)					
18	052175J	FIXTURE/ FEELER BULB (M1, M2, M3, M4)	72	0310086	ACCESSORIES BAG (M1, M2, M3, M4)					
19	6017734	THERMISTOR (LIQUID) (M1, M2, M3, M4)	73	5006660	ANTISWEAT MATERIAL (M1, M2, M3, M4)					
20	1723546	FLARE NUT (M1, M2, M3, M4)	74	001439J	SEALER/ DRAIN HOSE (M1, M2, M3, M4)					
21	NA	BLIND CAP/ FLARE NUT (M1, M2, M3, M4)	75	038187J	INSULATION TUBE/ LIQUID LINE (M1, M2, M3, M4)					
22	119849J	FLARE NUT (M1, M2, M3, M4)	76	170324J	INSULATION TUBE (M1, M2, M3, M4)					
23	093906J	BLIND CAP/ FLARE NUT (M1, M2, M3, M4)	77	537317J	DRAIN HOSE (M1, M2, M3, M4)					
24	6017737	FAN HOUSING ASSY. (M1, M2, M3, M4)	78	1997448	CONDUIT MOUNTING PLATE (M1, M2, M3, M4)					
25	6023824	FAN TOP PLATE ASSY. (M1, M2, M3, M4)	79	1997431	CONDUIT MOUNTING PLATE (M1, M2, M3, M4)					
26	6017738	FAN HOUSING (2) (M1, M2, M3, M4)	80	1755497	PLAIN WASHER (M1, M2, M3, M4)					
27	6017739	FAN HOUSING (1) (M1, M2, M3, M4)	81	032284J	SEALER/ DRAIN HOSE (M1, M2, M3, M4)					
28	148804J	FAN ROTOR (M1, M2, M3, M4)	82	170323J	SEALING MATERIAL (M1, M2, M3, M4)					
29	6017740	DC FAN MOTOR ASSY. (M1, M2, M3, M4)	83	0309543	ACCESSORIES BAG (M1, M2, M3, M4)					
30	6017741	DC FAN MOTOR (M1, M2, M3, M4)	84	NA	C TIGHT CUP SCREW (M1, M2, M3, M4)					
31	6017742	FERRITE CORE (M1, M2, M3, M4)	85	980723J	WIRE CLAMP (M1, M2, M3, M4)					
32	094452J	LATCH (M1, M2, M3, M4)	86	558117J	HOSE BAND (M1, M2, M3, M4)					
33	4007850	FIXING BAND ASSY. (M1, M2, M3, M4)	87	NA	WASHER FIXING MATERIAL (M1, M2, M3, M4)					
34	6017744	MOTOR BASE (M1, M2, M3, M4)	88	NA	OPERATION MANUAL (M1, M2, M3, M4)					
35	6017745	EARTH WIRE (M1, M2, M3, M4)	89	6025827	ELECTRIC INSULATION (M1, M2, M3, M4)					
36	6017746	SWITCH BOX (M1, M2, M3, M4)	Expanded Model Nomenclature							
37	065331J	CAPACITY SETTING ADAPTOR (M3)	<table border="1"> <tr> <td>M1 - FXEQ07PVJU</td> </tr> <tr> <td>M2 - FXEQ09PVJU</td> </tr> <tr> <td>M3 - FXEQ12PVJU</td> </tr> <tr> <td>M4 - FXEQ15PVJU</td> </tr> <tr> <td>M5 - FXEQ18PVJU</td> </tr> <tr> <td>M6 - FXEQ24PVJU</td> </tr> </table>		M1 - FXEQ07PVJU	M2 - FXEQ09PVJU	M3 - FXEQ12PVJU	M4 - FXEQ15PVJU	M5 - FXEQ18PVJU	M6 - FXEQ24PVJU
M1 - FXEQ07PVJU										
M2 - FXEQ09PVJU										
M3 - FXEQ12PVJU										
M4 - FXEQ15PVJU										
M5 - FXEQ18PVJU										
M6 - FXEQ24PVJU										
37	065340J	CAPACITY SETTING ADAPTOR (M4)								
37	066963J	CAPACITY SETTING ADAPTOR (M1)								
37	066964J	CAPACITY SETTING ADAPTOR (M2)								
38	4008841	FERRITE CORE (M1, M2, M3, M4)								
39	6017753	WIRE HARNESS ASSY. (M1, M2, M3, M4)								
40	6017752	THERMISTOR (AIR) (M1, M2, M3, M4)								
41	148812J	TERMINAL BLOCK (M1, M2, M3, M4)								
42	6017747	TERMINAL BLOCK (M1, M2, M3, M4)								
43	1823213	EARTH WIRE (M1, M2, M3, M4)								
44	1488146	WIRE HARNESS (POWER SOURCE) (M1, M2, M3, M4)								
45	6025823	RESIN CASE (M1, M2, M3, M4)								
46	6017749	WIRE HARNESS ASSY. (M1, M2, M3, M4)								
47	6017750	RESIN CASE (2) (M1, M2, M3, M4)								
48	6025824	PRINTED CIRCUIT ASSY. (M1, M2, M3, M4)								
49	6017754	TOP PLATE (M1, M2, M3, M4)								
50	6017763	DRAIN PAN ASSY. (M1, M2, M3, M4)								
51	095251J	DRAIN PLUG (M1, M2, M3, M4)								

— TOP —



Drawing #	Reference #
B1	1
B1	1
B1-1	2
B1-1	2
B1-10	3
B1-11	4
B1-13	5
B1-14	6
B1-15	7
B1-16	8
B1-17	9
B1-18	10
B1-2	11
B1-2	11
B1-3	12
B1-4	13
B1-5	14
B1-6	15
B1-7	15
B1-8	16
B1-9	17
B2	18
B3	19
B4	20
B5	21
C1	22
C1-1	23
C1-1	23
C1-10	24
C1-11	25
C1-12	26
C1-13	27
C1-2	28
C1-3	29
C1-4	30
C1-6	31
C1-6-1	32
C1-6-2	33
C1-6-3	34
C1-7	35
C1-8	36
C1-9	37
E1	38
E10	39
E10	39
E11	40
E12	41
E13	42
E2	43
E3	44
E4	45
E5	46
E6	47
E7	48
E8	49
E9	50
F1	51
F10	52
F10-1	53
F10-2	54
F11	55
F11-1	56
F11-2	57
F12	58
F13	59
F15	60
F16	61
F17	62
F18	63
F2	64
F3	65
F4	66
F5	67
F6	68
F7	69
F8	70
F9	71
K1	72
K1-1	73
K1-10	74
K1-11	75
K1-12	76
K1-13	77
K1-14	78
K1-15	79
K1-16	80
K1-2	81
K1-3	82
K1-4	83
K1-5	84
K1-6	85
K1-7	86
K1-8	87
K1-9	88
K2	89
K3	90

Ref. Part No: No:	Description:	Ref. Part No: No:	Description:							
Image 1:		Image 1:								
1	6017774	EVAPORATOR ASSY. (M5)	54	6017764	THERMAL INSULATION (M5, M6)					
1	6017788	EVAPORATOR ASSY. (M6)	55	6017765	DRAIN PUMP ASSY. (M5, M6)					
2	257580J	UNION JOINT (M5)	56	6017766	DRAIN PUMP (M5, M6)					
2	257589J	UNION JOINT (M6)	57	6017767	MOUNTING PLATE/ DRAIN PUMP (M5, M6)					
3	NA	WIRE SPRING (M5, M6)	58	6017768	FLOAT SWITCH ASSY. (M5, M6)					
4	6017735	SEALING PLATE ASSY. (M5, M6)	59	6017769	DRAIN HOSE (M5, M6)					
5	2141611	COIL/ ELECTRONIC EXP. VALVE (M5, M6)	60	6025826	COLLECTIVE INDICATIONS LABEL (M5, M6)					
6	6025820	SOUNDPROOF PUTTY (M5, M6)	61	6017787	AIR INLET PROTECTION NET (M5, M6)					
7	6025821	LEFT SIDE PANEL (RESIN) ASSY. (M5, M6)	62	6017771	AIR INLET PROTECTION NET (M5, M6)					
8	6025822	HEAT EXCHANGER FIXTURE (M5, M6)	63	6017772	HOOK METAL (M5, M6)					
9	2141604	FILTER (M5, M6)	64	6017781	THERMAL INSULATION/ TOP PLATE (M5, M6)					
10	2141596	FILTER (M5, M6)	65	6017782	SIDE PANEL (LEFT) (M5, M6)					
11	257576J	UNION JOINT (M5)	66	6025825	SIDE PANEL (RIGHT) (M5, M6)					
11	257577J	UNION JOINT (M6)	67	6017783	CHAMBER COVER (M5, M6)					
12	1912618	PUTTY (M5, M6)	68	6017759	THERMAL INSULATION (M5, M6)					
13	6023044	PUTTY (M5, M6)	69	6017784	BLIND PLATE/ PLATE FINNED COIL (M5, M6)					
14	2110073	BODY/ ELECTRONIC EXP. VALVE (M5, M6)	70	6017785	BLIND PLATE/ PLATE FINNED COIL (M5, M6)					
15	042396J	FITTING SPRING/ THERMISTOR (M5, M6)	71	6017762	COVER/ SWITCH BOX (M5, M6)					
15	6017733	THERMISTOR (GAS) (M5, M6)	72	NA	ACCESSORIES ASSY. (M5, M6)					
16	052175J	FIXTURE/ FEELER BULB (M5, M6)	73	0310086	ACCESSORIES BAG (M5, M6)					
17	6017734	THERMISTOR (LIQUID) (M5, M6)	74	5006660	ANTISWEAT MATERIAL (M5, M6)					
18	119848J	FLARE NUT (M5, M6)	75	001439J	SEALER/ DRAIN HOSE (M5, M6)					
19	091416J	BLIND CAP/ FLARE NUT (M5, M6)	76	038187J	INSULATION TUBE/ LIQUID LINE (M5, M6)					
20	119850J	FLARE NUT (M5, M6)	77	170324J	INSULATION TUBE (M5, M6)					
21	091417J	BLIND CAP/ FLARE NUT (M5, M6)	78	537317J	DRAIN HOSE (M5, M6)					
22	6017775	FAN HOUSING ASSY. (M5, M6)	79	1997448	CONDUIT MOUNTING PLATE (M5, M6)					
23	6017738	FAN HOUSING (2) (M5, M6)	80	1997431	CONDUIT MOUNTING PLATE (M5, M6)					
23	6023909	FAN TOP PLATE ASSY. (M5, M6)	81	1755497	PLAIN WASHER (M5, M6)					
24	6017745	EARTH WIRE (M5, M6)	82	032284J	SEALER/ DRAIN HOSE (M5, M6)					
25	437008J	FAN BEARING (M5, M6)	83	170323J	SEALING MATERIAL (M5, M6)					
26	064786J	COUPLING/ FAN SHAFT (M5, M6)	84	0309543	ACCESSORIES BAG (M5, M6)					
27	443026J	MOUNTING PLATE/ FAN BEARING (M5, M6)	85	NA	C TIGHT CUP SCREW (M5, M6)					
28	6017739	FAN HOUSING (1) (M5, M6)	86	980723J	WIRE CLAMP (M5, M6)					
29	148803J	FAN ROTOR (M5, M6)	87	558117J	HOSE BAND (M5, M6)					
30	148804J	FAN ROTOR (M5, M6)	88	NA	WASHER FIXING MATERIAL (M5, M6)					
31	6017776	DC FAN MOTOR ASSY. (M5, M6)	89	NA	OPERATION MANUAL (M5, M6)					
32	6017777	DC FAN MOTOR (M5, M6)	90	6025827	ELECTRIC INSULATION (M5, M6)					
33	6017742	FERRITE CORE (M5, M6)	Expanded Model Nomenclature							
34	094452J	LATCH (M5, M6)	<table border="1"> <tr> <td>M1 - FXEQ07PVJU</td> </tr> <tr> <td>M2 - FXEQ09PVJU</td> </tr> <tr> <td>M3 - FXEQ12PVJU</td> </tr> <tr> <td>M4 - FXEQ15PVJU</td> </tr> <tr> <td>M5 - FXEQ18PVJU</td> </tr> <tr> <td>M6 - FXEQ24PVJU</td> </tr> </table>		M1 - FXEQ07PVJU	M2 - FXEQ09PVJU	M3 - FXEQ12PVJU	M4 - FXEQ15PVJU	M5 - FXEQ18PVJU	M6 - FXEQ24PVJU
M1 - FXEQ07PVJU										
M2 - FXEQ09PVJU										
M3 - FXEQ12PVJU										
M4 - FXEQ15PVJU										
M5 - FXEQ18PVJU										
M6 - FXEQ24PVJU										
35	4007850	FIXING BAND ASSY. (M5, M6)								
36	6017744	MOTOR BASE (M5, M6)								
37	6017778	FAN SHAFT ASSY. (M5, M6)								
38	6017746	SWITCH BOX (M5, M6)								
39	064060J	CAPACITY SETTING ADAPTOR (M5)								
39	065336J	CAPACITY SETTING ADAPTOR (M6)								
40	4008841	FERRITE CORE (M5, M6)								
41	6017753	WIRE HARNESS ASSY. (M5, M6)								
42	6017752	THERMISTOR (AIR) (M5, M6)								
43	148812J	TERMINAL BLOCK (M5, M6)								
44	6017747	TERMINAL BLOCK (M5, M6)								
45	1823213	EARTH WIRE (M5, M6)								
46	1488146	WIRE HARNESS (POWER SOURCE) (M5, M6)								
47	6025823	RESIN CASE (M5, M6)								
48	6017749	WIRE HARNESS ASSY. (M5, M6)								
49	6017750	RESIN CASE (2) (M5, M6)								
50	6025828	PRINTED CIRCUIT ASSY. (M5, M6)								
51	6017780	TOP PLATE (M5, M6)								
52	6017786	DRAIN PAN ASSY. (M5, M6)								
53	095251J	DRAIN PLUG (M5, M6)								