

---

## Multi Concealed/Wall Mount Duct and Floor Standing Ductless Indoor Units

CDMQ07WVJU9  
CTXS07WVJU9  
FDMQ09WVJU9  
FDMQ12WVJU9  
FDMQ15WVJU9  
FDMQ18WVJU9  
FDMQ24WVJU9  
FTXS09WVJU9  
FTXS12WVJU9  
FTXS15WVJU9  
FTXS18WVJU9  
FTXS24WVJU9  
FVXS09WVJU9  
FVXS12WVJU9  
FVXS15WVJU9  
FVXS18WVJU9

This manual is to be used by qualified technicians only.

# Important Information

---

## Index

Functional Parts List .....	3
Illustration and Parts .....	4 - 21

*Views shown are for parts illustrations only, not servicing procedures.*

### Text Codes:

AR - As Required

NA - Not Available

NS - Not Shown

00000000 - See Note

QTY - Quantity Example (QTY 3) (If Quantity not shown, Quantity = 1)

M - Model Example (M1) (If M Code not shown, then part is used on all Models)

### Expanded Model Nomenclature:

Example M1 - Model#1 M2 - Model#2 M3 - Model#3
---

Daikin Comfort Technologies Manufacturing , L.P. is not responsible for personal injury or property damage resulting from improper service. Review all service information before beginning repairs.

Warranty service must be performed by an authorized technician, using authorized factory parts. If service is required after the warranty expires, Daikin Comfort Technologies Manufacturing , L.P. also recommends contacting an authorized technician and using authorized factory parts.

Daikin Comfort Technologies Manufacturing , L.P. reserves the right to discontinue, or change at any time, specifications or designs without notice or without incurring obligations.

For assistance within the U.S.A. contact:  
Homeowner Support  
Daikin Comfort Technologies Manufacturing , L.P.  
19001 Kermier Road  
Waller, Texas 77484  
855-770-5678-Telephone  
713-863-2382-Facsimile

For assistance outside the U.S.A. contact:  
International Division  
Daikin Comfort Technologies Manufacturing , L.P.  
19001 Kermier Road  
Waller, Texas 77484  
713-861-2500-Telephone  
713-863-2382-Facsimile

# Functional Parts

## Part

## No: Description:

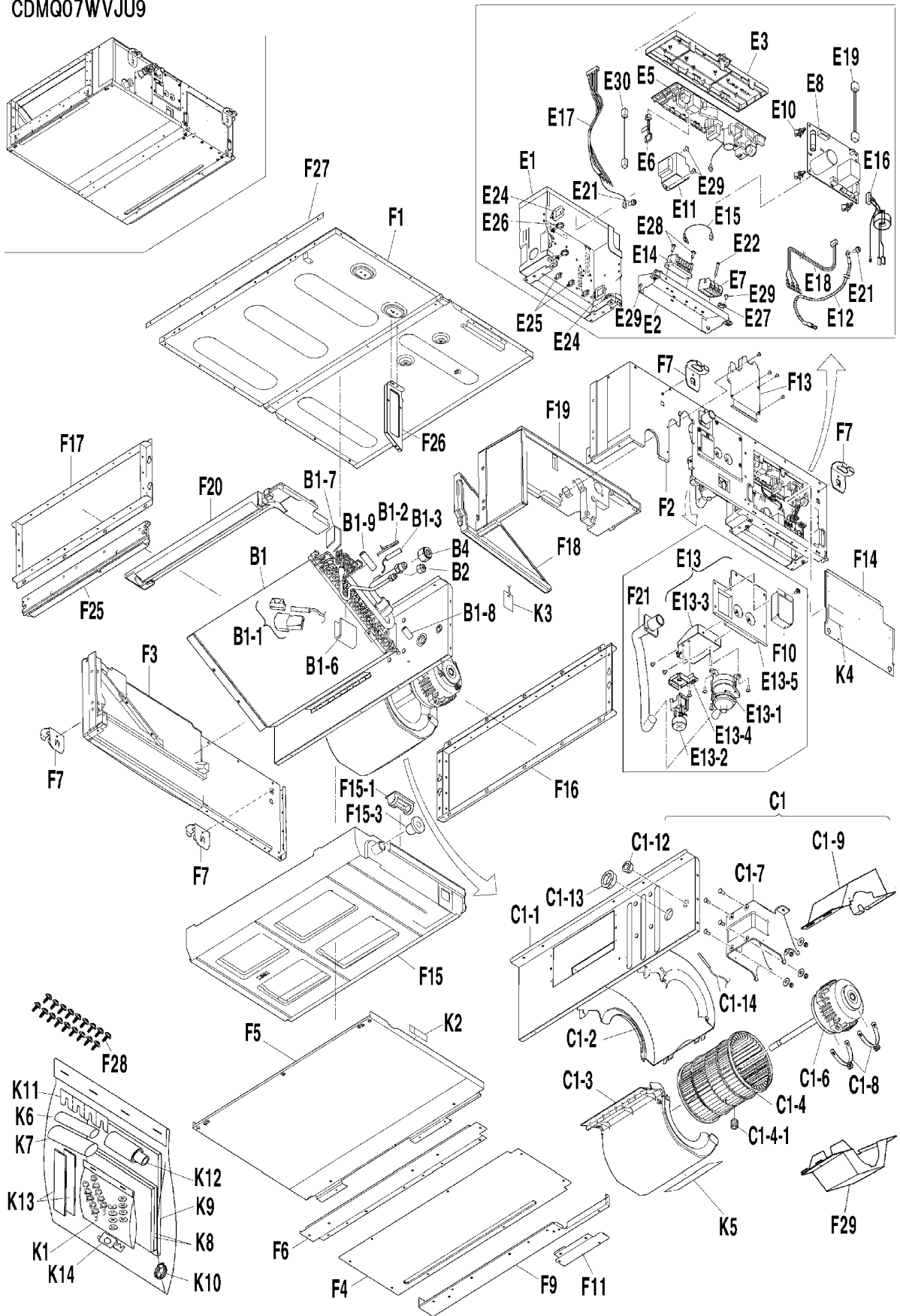
065331J	CAPACITY SETTING ADAPTER (M4)
065336J	CAPACITY SETTING ADAPTER (M6)
065341J	CAPACITY SETTING ADAPTER (M7)
066963J	CAPACITY SETTING ADAPTER (M1)
064060J	CAPACITY SETTING ADAPTER (M5)
066964J	CAPACITY SETTING ADAPTER (M3)
2444170	DC FAN MOTOR (M2, M8, M9)
1964671	DC FAN MOTOR (M13, M14, M15, M16)
4009358	DC FAN MOTOR (M10, M11, M12)
2261089	DRAIN PUMP (M1, M3, M4, M5, M6, M7)
2385699	FAN MOTOR (M1, M3, M4)
2385707	FAN MOTOR (M5, M6, M7)
1840054	PRINTED CIRCUIT ASSY. (PHOTO/DISPLAY) (M2, M8, M9)
2392976	PRINTED CIRCUIT BOARD ASSY. (M1, M3, M4)
2547457	PRINTED CIRCUIT BOARD ASSY. (M2)
2547458	PRINTED CIRCUIT BOARD ASSY. (M8)
2547459	PRINTED CIRCUIT BOARD ASSY. (M9)
2547461	PRINTED CIRCUIT BOARD ASSY. (M10)
2547462	PRINTED CIRCUIT BOARD ASSY. (M11)
2546476	PRINTED CIRCUIT BOARD ASSY. (M1, M3, M4, M5, M6, M7)
2341853	PRINTED CIRCUIT BOARD ASSY. (CONTROL) (M14)
2341860	PRINTED CIRCUIT BOARD ASSY. (CONTROL) (M16)
2351588	PRINTED CIRCUIT BOARD ASSY. (CONTROL) (M15)
2341846	PRINTED CIRCUIT BOARD ASSY. (CONTROL) (M13)
1767748	PRINTED CIRCUIT BOARD ASSY. (DISPLAY) (M13, M14, M15, M16)
2393032	PRINTED CIRCUIT BOARD ASSY. (FAN) (M5, M6, M7)
4000843	PRINTED CIRCUIT BOARD ASSY. (PHOTO/ DISPLAY) (M10, M11, M12)
4000844	PRINTED CIRCUIT BOARD ASSY. (PYROELECTRIC PASSIVE) (M10, M11, M12)
1767755	PRINTED CIRCUIT BOARD ASSY. (SENSOR) (M13, M14, M15, M16)
1767731	PRINTED CIRCUIT BOARD ASSY. (SERVICE) (M13, M14, M15, M16)
151065J	STEPPING MOTOR (M13, M14, M15, M16)
4007617	STEPPING MOTOR (M2, M8, M9)
1767591	STEPPING MOTOR ASSY. (M13, M14, M15, M16)
179743J	SWING MOTOR (M2, M8, M9)
1797578	SWING MOTOR (M10, M11, M12)
4000862	SWING MOTOR (M10, M11, M12)
2260992	THERMISTOR (HEAT EXCHANGER) (M5)
2258247	THERMISTOR (HEAT EXCHANGER) (M1, M3, M4, M5, M6, M7)
2258261	THERMISTOR (SUCTION AIR) (M1, M3, M4, M5, M6, M7)
2258254	THERMISTOR ASSY. (M3, M4)

## Expanded Model Nomenclature

M1 - CDMQ07WVJU9
M2 - CTXS07WVJU9
M3 - FDMQ09WVJU9
M4 - FDMQ12WVJU9
M5 - FDMQ15WVJU9
M6 - FDMQ18WVJU9
M7 - FDMQ24WVJU9
M8 - FTXS09WVJU9
M9 - FTXS12WVJU9
M10 - FTXS15WVJU9
M11 - FTXS18WVJU9
M12 - FTXS24WVJU9
M13 - FVXS09WVJU9
M14 - FVXS12WVJU9
M15 - FVXS15WVJU9
M16 - FVXS18WVJU9

# CDMQ07WVJU9

CDMQ07WVJU9



Picture Key

Ref #	Picture #
1	B1
2	B1-1
3	B1-2
4	B1-3
5	B1-6
6	B1-7
7	B1-8
8	B1-9
9	B2
10	B3
11	C1
12	C1-1
13	C1-2
14	C1-3
15	C1-4
16	C1-4-1
17	C1-6
18	C1-7
19	C1-8
20	C1-9
21	C1-10
22	C1-11
23	C1-14
24	E1
25	E2
26	E3
27	E5
28	E6
29	E7
30	E8
31	E10
32	E11
33	E12
34	E13
35	E13-1
36	E13-2
37	E13-3
38	E13-4
39	E13-5
40	E14
41	E15
42	E16
43	E17
44	E18
45	E19
46	E21
47	E22
48	E24
49	E25
50	E26
51	E27
52	E28
53	E29
54	E30
55	F1
56	F2
57	F3
58	F4
59	F5
60	F6
61	F7
62	F9
63	F10
64	F11
65	F13
66	F14
67	F15
68	F15-1
69	F15-3
70	F16
71	F17
72	F18
73	F19
74	F20
75	F21
76	F25
77	F26
78	F27
79	F28
80	F29
81	K1
82	K2
83	K3
84	K4
85	K5
86	K6
87	K7
88	K8
89	K9
90	K10
91	K11
92	K12
93	K13
94	K14

# CDMQ07WVJU9

Ref. Part No:	Ref. Part No:	Description:	Description:
<b>Image 1:</b>		<b>Image 1:</b>	
1	2546475	PLATE FINNED COIL HEAT EXCH. ASSY. (M1)	56 2261135
2	2258254	THERMISTOR ASSY. (M1)	57 2261142
3	007432J	RETAINER/ THERMISTOR CLAMP (M1)	58 2261159
4	2258247	THERMISTOR (HEAT EXCHANGER) (M1)	59 2261166
5	NA	SOUND ABSORBING PUTTY (M1)	60 2261173
6	NA	VIBRO-ISOLATING PUTTY (M1)	61 2261180
7	NA	SEALING MATERIAL (M1)	62 2261197
8	NA	PUTTY (M1)	63 2261205
9	1723546	FLARE NUT (M1)	64 4015767
10	119848J	FLARE NUT (M1)	65 2261212
11	2392952	SIROCCO FAN ASSY. (M1)	66 2261229
12	2261027	FAN TOP PLATE ASSY. (M1)	67 2258191
13	2261034	FAN HOUSING (UPPER) (M1)	68 1985421
14	2261041	FAN HOUSING (LOWER) (M1)	69 537994
15	1863716	SIROCCO ROTOR ASSY. (M1)	70 2261236
16	011582J	HEX SOCKET SCREW (M1)	71 2261243
17	2385699	FAN MOTOR (M1)	72 2261250
18	2261058	MOTOR BASE (M1)	73 2261267
19	4007850	MOTOR FIXING PLATE (M1)	74 2261274
20	2392969	BLIND PLATE (M1)	75 2261281
21	170618J	BUSHING (LOW VOLTAGE) (M1)	76 4017146
22	144573J	BUSHING (M1)	77 NA
23	2258261	THERMISTOR (SUCTION AIR) (M1)	78 2392983
24	NA	SWITCH BOX ASSY. (M1)	79 NA
25	2374668	SET PLATE/ IMPLEMENT USE (4) (M1)	80 2392990
26	2374675	RESIN CASE (M1)	81 NA
27	2546476	PRINTED CIRCUIT BOARD ASSY. (M1)	82 NA
28	066963J	CAPACITY SETTING ADAPTER (M1)	83 NA
29	139491J	TERMINAL BLOCK (POWER SUPPLY) (M1)	84 NA
30	2392976	PRINTED CIRCUIT BOARD ASSY. (M1)	85 NA
31	380402J	LOCKING CARD SPACER (M1)	86 038187J
32	4015749	REACTOR (M1)	87 031111J
33	2261072	EARTH WIRE (M1)	88 4000023
34	NA	SERVICE COVER ASSY (M1)	89 032284J
35	2261089	DRAIN PUMP (M1)	90 2533760
36	2534708	FLOAT SWITCH ASSY. (M1)	91 1755334
37	4015732	DRAIN PUMP MOUNTING STAND (M1)	92 2455745
38	2261104	FLOAT SWITCH MOUNTING PLATE (M1)	93 2261298
39	2261111	DRAIN PUMP MOUNTING PLATE (M1)	94 2393001
40	4005686	TERMINAL BLOCK (CONTROL) (M1)	
41	NA	GROUNDING WIRE (M1)	
42	4015734	WIRE HARNESS ASSY. (M1)	
43	2374682	WIRE HARNESS ASSY. (REMOTE CONTROLLER) (M1)	
44	4018727	WIRE HARNESS ASSY. (M1)	
45	2258139	WIRE HARNESS ASSY. (ACS) (M1)	
46	NA	TAPPING SCREW (M1)	
47	NA	PAN HEAD TAPPING SCREW (M1)	
48	352004	WIRE CLIP (M1)	
49	027843J	WIRE CLIP (M1)	
50	1855164	HARNESS LIFT (M1)	
51	0816755	RESIN CLAMP (M1)	
52	NA	TRUSS HEAD TAPPING SCREW (M1)	
53	NA	CROSS-RECESSED TAPPING SCREW (M1)	
54	2385675	WIRE HARNESS (M1)	
55	2261128	TOP PLATE ASSY. (M1)	
			56 2261135
			57 2261142
			58 2261159
			59 2261166
			60 2261173
			61 2261180
			62 2261197
			63 2261205
			64 4015767
			65 2261212
			66 2261229
			67 2258191
			68 1985421
			69 537994
			70 2261236
			71 2261243
			72 2261250
			73 2261267
			74 2261274
			75 2261281
			76 4017146
			77 NA
			78 2392983
			79 NA
			80 2392990
			81 NA
			82 NA
			83 NA
			84 NA
			85 NA
			86 038187J
			87 031111J
			88 4000023
			89 032284J
			90 2533760
			91 1755334
			92 2455745
			93 2261298
			94 2393001
			SIDE PLATE (RIGHT) (M1)
			SIDE PLATE (LEFT) (M1)
			CHAMBER COVER (M1)
			BOTTOM PLATE (M1)
			BOTTOM PLATE (3) (M1)
			HOOK (M1)
			BOTTOM FRAME (M1)
			COVER/ INSPECTION HATCH (M1)
			BOTTOM PLATE (4) (M1)
			HOLD PLATE (M1)
			COVER/ SWITCH BOX (M1)
			DRAIN PAN ASSY. (M1)
			ANTI-BACTERIAL AGENTS ASSY. (M1)
			CAP/ DRAIN SOCKET (M1)
			AIR INLET FLANGE ASSY. (M1)
			AIR OUTLET FLANGE ASSY. (M1)
			THERMAL INSULATION (PARTITION) (M1)
			THERMAL INSULATION (RIGHT) (M1)
			THERMAL INSULATION (UPPER) (M1)
			DRAIN HOSE ASSY. (M1)
			FRONT STAY ASSY. (M1)
			MOUNTING PLATE (M1)
			SEALING MATERIAL (TOP PLATE 2) (M1)
			HEX TAPPING SCREW (M1)
			PARTITIONPLATE ASSY. (M1)
			TRUSS HEAD TAPPING SCREW PACK (M1)
			CAUTION LABEL(FOR DRAIN PIPING) (M1)
			CAUTION LABEL(BURN HAZARD) (M1)
			CAUTION LABEL (ELECTRIC SHOCK) (M1)
			CAUTION LABEL (ROTATING) (M1)
			INSULATION TUBE (M1)
			*THERMAL INSULATION TUBE (M1)
			SEALING MATERIAL (M1)
			SEALER/ DRAIN HOSE (M1)
			HOSE BAND (M1)
			WASHER FIXING MATERIAL (M1)
			DRAIN HOSE (M1)
			SEALING MATERIAL (M1)
			CONDUIT MOUNTING PLATE (M1)

# CDMQ07WVJU9

Ref. Part

No: No:

Description:

Ref. Part

No: No:

Description:

---

## Expanded Model Nomenclature

M1 - CDMQ07WVJU9
M2 - CTXS07WVJU9
M3 - FDMQ09WVJU9
M4 - FDMQ12WVJU9
M5 - FDMQ15WVJU9
M6 - FDMQ18WVJU9
M7 - FDMQ24WVJU9
M8 - FTXS09WVJU9
M9 - FTXS12WVJU9
M10 - FTXS15WVJU9
M11 - FTXS18WVJU9
M12 - FTXS24WVJU9
M13 - FVXS09WVJU9
M14 - FVXS12WVJU9
M15 - FVXS15WVJU9
M16 - FVXS18WVJU9

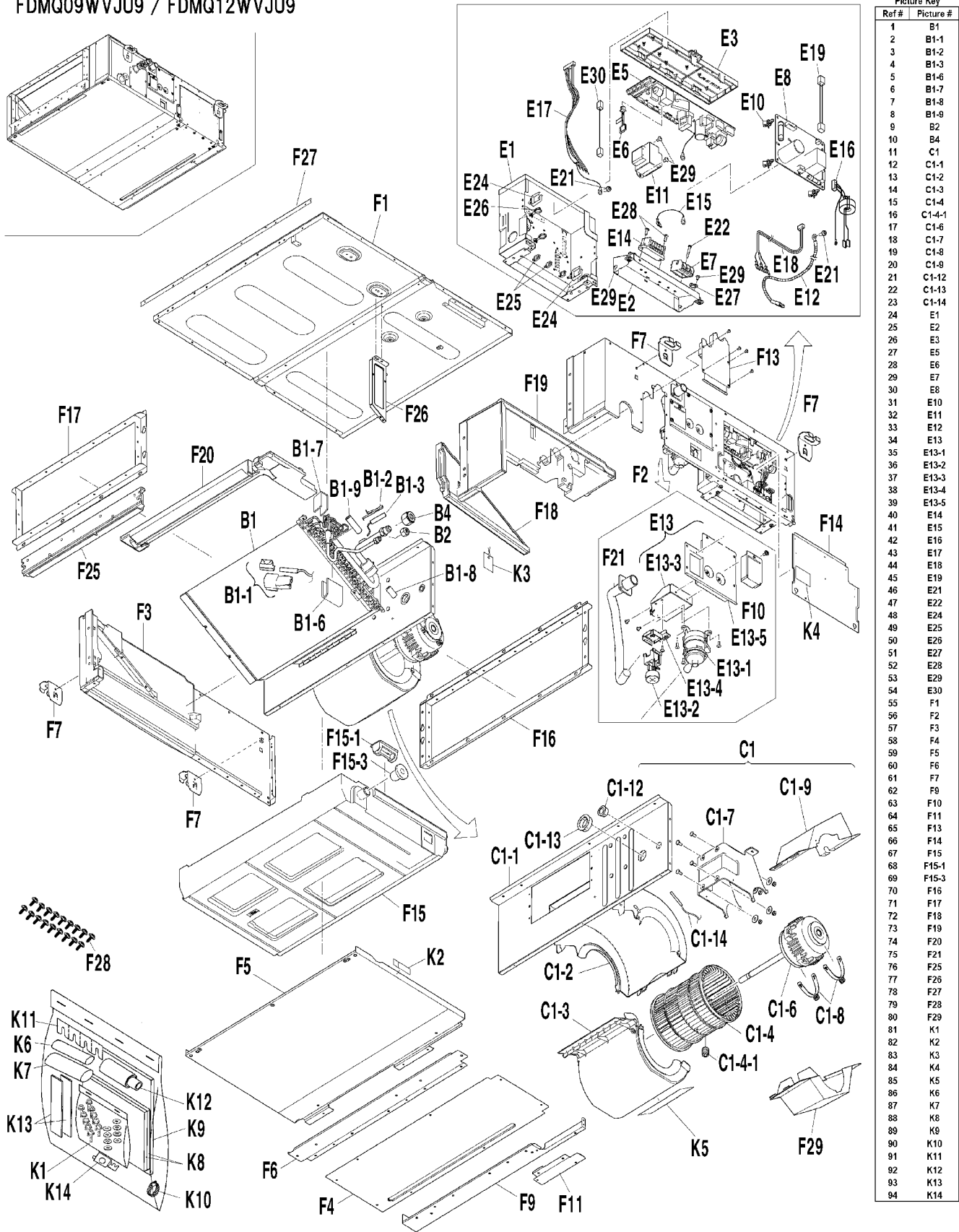


# CTXS07WVJU9

Ref. Part No:	Ref. Part No:	Description:	Description:		
<b>Image 1:</b>		<b>Image 1:</b>			
1	4009431	HEAT EXCHANGER ASSY. (M2)	56	1840922	ROD/ HORIZONTAL VANE (M2)
2	1841684	PUTTY (M2)	57	4007621	HORIZONTAL VANE/ DISCH. GRILLE (M2)
3	1723546	FLARE NUT (M2)	58	1840922	ROD/ HORIZONTAL VANE (M2)
4	119848J	FLARE NUT (M2)	59	NA	CAUTION LABEL (ELECTRIC SHOCK) (M2)
5	4014018	SIDE PANEL (LEFT) ASSY. (M2)	60	2064675	FAN BEARING ASSY. (M2)
6	6015237	WIRE SPRING (M2)	61	156867J	VIBRATION ABSORBER/ FAN BEARING (M2)
7	4007594	SEALING PLATE (M2)	62	6028456	DRAIN SOCKET CAP (M2)
8	4007595	PUTTY (M2)	63	2547544	DRAIN HOSE (M2)
9	NA	TAPPING SCREW (M2)	64	4007639	AIR OUTLET ASSY. (M2)
10	380120J	FITTING SPRING/ THERMISTOR (M2)	65	NA	TAPPING SCREW (M2)
11	4023350	CROSS FLOW FAN ASSY. (M2)	66	2532812	REMOTE CONTROLLER ASSY (M2)
12	051605J	HEX SOCKET SCREW (M2)	67	4000889	HOLDER/ REMOTE CONTROLLER (M2)
13	4007598	SWITCH BOX (M2)	68	NA	BATTERY KIT (M2)
14	4007599	SHIELD PLATE (1) (M2)	69	NA	SCREW KIT (M2)
15	4007600	SHIELD PLATE (2) (M2)	70	NA	AIR FILTER ASSY. (M2)
16	4007601	INDICATION LAMP COVER (M2)	71	1597259	DUST COLLECTING ELEMENT FRAME (M2)
17	2547457	PRINTED CIRCUIT BOARD ASSY. (M2)	72	NA	AIR-PURIFYING FILTER (M2)
18	1840030	EARTH WIRE (M2)	73	4007631	INSTALLATION PLATE (M2)
19	2531967	TERMINAL STRIP (M2)	<b>Expanded Model Nomenclature</b>		
20	174888J	PAN HEAD TAPPING SCREW (M2)	<div style="border: 1px solid black; padding: 5px;"> M1 - CDMQ07WVJU9  M2 - CTXS07WVJU9  M3 - FDMQ09WVJU9  M4 - FDMQ12WVJU9  M5 - FDMQ15WVJU9  M6 - FDMQ18WVJU9  M7 - FDMQ24WVJU9  M8 - FTXS09WVJU9  M9 - FTXS12WVJU9  M10 - FTXS15WVJU9  M11 - FTXS18WVJU9  M12 - FTXS24WVJU9  M13 - FVXS09WVJU9  M14 - FVXS12WVJU9  M15 - FVXS15WVJU9  M16 - FVXS18WVJU9 </div>		
21	0812847	WIRE CLAMP (M2)			
22	NA	SEALING MATERIAL (M2)			
23	1840054	PRINTED CIRCUIT ASSY. (PHOTO/DISPLAY) (M2)			
24	1840061	PYROELECTRIC PASSIVE INFRARED SENSOR (M2)			
25	2444170	DC FAN MOTOR (M2)			
26	121650J	TRUSS HEAD TAPPING SCREW (M2)			
27	2544721	CONDUIT MOUNTING PLATE (M2)			
28	4011258	BOTTOM FRAME ASSY. (SUB ASSY.) (M2)			
29	4007622	SIDE PLATE (RIGHT) (M2)			
30	4007612	COVER (LINK ASSY.) (M2)			
31	4007613	COVER (LINK) (M2)			
32	4007614	INTERLOCK ROD (1) (M2)			
33	4007615	INTERLOCK ROD (2) (M2)			
34	4007616	ROD (M2)			
35	179743J	SWING MOTOR (M2)			
36	4007617	STEPPING MOTOR (M2)			
37	4007618	WIRE HARNESS ASSY. (S/M) (M2)			
38	4007623	FRONT GRILLE ASSY. (M2)			
39	4007624	FRONT PANEL (M2)			
40	4007625	CONTROL PANEL ASSY. (M2)			
41	NA	OPERATION SIGN COVER (M2)			
42	4007597	AIR FILTER (M2)			
43	4000880	MOTOR MOUNTING PLATE (3) (M2)			
44	4007626	PIPING FIXTURE (M2)			
45	4007627	SEALING PLATE (M2)			
46	4007628	SERVICE LID ASSY. (M2)			
47	4007629	PARTITION PLATE/ EVAPORATOR (M2)			
48	4007630	MOTOR MOUNTING PLATE (LOWER) (M2)			
49	4007607	DRAIN PAN (STABILIZER) (M2)			
50	4007608	DRAIN PAN (M2)			
51	4007609	VERTICAL VANE/ AIR DISCHARGE (M2)			
52	4007610	INTERLOCK ROD (3) (M2)			
53	4007611	INTERLOCK ROD (4) (M2)			
54	4022744	FAN GUARD ASSY. (M2)			
55	4007620	HORIZONTAL VANE/ DISCH. GRILLE (M2)			

# FDMQ[09-12]WVJU9

FDMQ09WVJU9 / FDMQ12WVJU9





# FDMQ[09-12]WVJU9

Ref. Part

No: No:

Description:

Ref. Part

No: No:

Description:

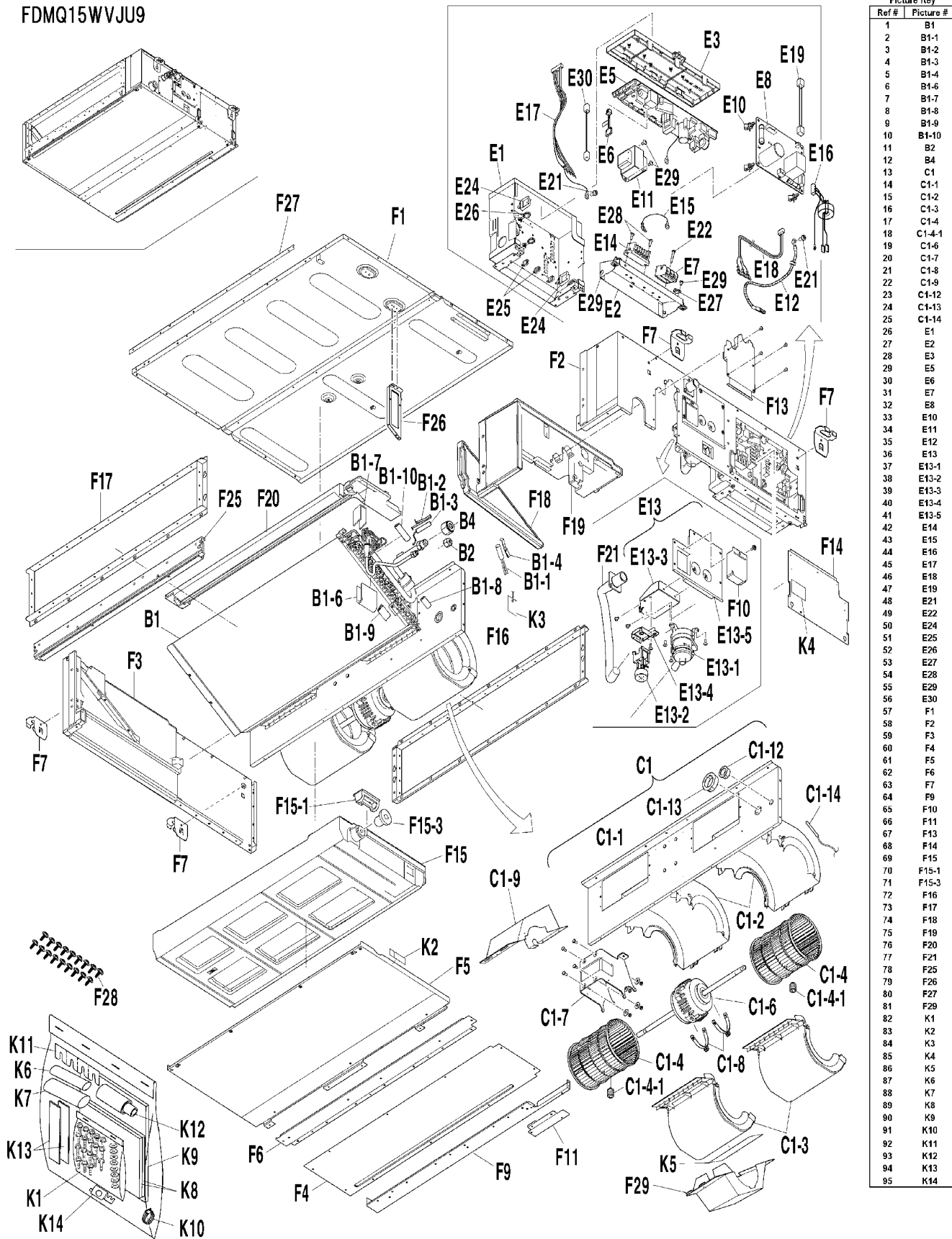
---

## Expanded Model Nomenclature

M1 - CDMQ07WVJU9
M2 - CTXS07WVJU9
M3 - FDMQ09WVJU9
M4 - FDMQ12WVJU9
M5 - FDMQ15WVJU9
M6 - FDMQ18WVJU9
M7 - FDMQ24WVJU9
M8 - FTXS09WVJU9
M9 - FTXS12WVJU9
M10 - FTXS15WVJU9
M11 - FTXS18WVJU9
M12 - FTXS24WVJU9
M13 - FVXS09WVJU9
M14 - FVXS12WVJU9
M15 - FVXS15WVJU9
M16 - FVXS18WVJU9

# FDMQ15WVJU9

FDMQ15WVJU9



# FDMQ15WVJU9

Ref. Part No:	Ref. Part No:	Description:	Description:
<b>Image 1:</b>		<b>Image 1:</b>	
1	2546477	PLATE FINNED COIL HEAT EXCH. ASSY. (M5)	56 2385675 WIRE HARNESS (M5)
2	2260992	THERMISTOR (HEAT EXCHANGER) (M5)	57 2261320 TOP PLATE ASSY. (M5)
3	007432J	RETAINER/ THERMISTOR CLAMP (M5)	58 2261135 SIDE PLATE (RIGHT) (M5)
4	2258247	THERMISTOR (HEAT EXCHANGER) (M5)	59 2261142 SIDE PLATE (LEFT) (M5)
5	380120J	FITTING SPRING/ THERMISTOR (M5)	60 2261337 CHAMBER COVER (M5)
6	NA	SOUND ABSORBING PUTTY (M5)	61 2261344 BOTTOM PLATE (M5)
7	NA	VIBRO-ISOLATING PUTTY (M5)	62 2261351 BOTTOM PLATE (3) (M5)
8	NA	SEALING MATERIAL (M5)	63 2261180 HOOK (M5)
9	NA	SEALING MATERIAL (MIDDLE THERMISTOR) (M5)	64 2261553 BOTTOM FRAME (M5)
10	NA	PUTTY (M5)	65 2261205 COVER/ INSPECTION HATCH (M5)
11	1723546	FLARE NUT (M5)	66 4015767 BOTTOM PLATE (4) (M5)
12	119849J	FLARE NUT (M5)	67 2261212 HOLD PLATE (M5)
13	2393025	SIROCCO FAN ASSY. (M5)	68 2261229 COVER/ SWITCH BOX (M5)
14	2261313	FAN TOP PLATE ASSY. (M5)	69 2258184 DRAIN PAN ASSY. (M5)
15	2261034	FAN HOUSING (UPPER) (M5)	70 1985421 ANTI-BACTERIAL AGENTS ASSY. (M5)
16	2261041	FAN HOUSING (LOWER) (M5)	71 537994 CAP/ DRAIN SOCKET (M5)
17	1863716	SIROCCO ROTOR ASSY. (M5)	72 2261560 AIR INLET FLANGE ASSY. (M5)
18	011582J	HEX SOCKET SCREW (M5)	73 2261577 AIR OUTLET FLANGE ASSY. (M5)
19	2385707	FAN MOTOR (M5)	74 2261250 THERMAL INSULATION (PARTITION) (M5)
20	2261058	MOTOR BASE (M5)	75 2261267 THERMAL INSULATION (RIGHT) (M5)
21	4007850	MOTOR FIXING PLATE (M5)	76 2261584 THERMAL INSULATION (TOP) (M5)
22	2392969	BLIND PLATE (M5)	77 2261281 DRAIN HOSE ASSY. (M5)
23	170618J	BUSHING (LOW VOLTAGE) (M5)	78 4017147 FRONT STAY ASSY. (M5)
24	144573J	BUSHING (M5)	79 NA MOUNTING PLATE (M5)
25	2258261	THERMISTOR (SUCTION AIR) (M5)	80 2374699 SEALING MATERIAL (TOP PLATE 2) (M5)
26	NA	SWITCH BOX ASSY. (M5)	81 2392990 PARTITIONPLATE ASSY. (M5)
27	2374668	SET PLATE/ IMPLEMENT USE (4) (M5)	82 NA TRUSS HEAD TAPPING SCREW (M5)
28	2374675	RESIN CASE (M5)	83 NA CAUTION LABEL(FOR DRAIN PIPING) (M5)
29	2546476	PRINTED CIRCUIT BOARD ASSY. (M5)	84 NA CAUTION LABEL(BURN HAZARD) (M5)
30	064060J	CAPACITY SETTING ADAPTER (M5)	85 NA CAUTION LABEL (ELECTRIC SHOCK) (M5)
31	139491J	TERMINAL BLOCK (POWER SUPPLY) (M5)	86 NA CAUTION LABEL (ROTATING) (M5)
32	2393032	PRINTED CIRCUIT BOARD ASSY. (FAN) (M5)	87 038187J INSULATION TUBE (M5)
33	380402J	LOCKING CARD SPACER (M5)	88 031111J *THERMAL INSULATION TUBE (M5)
34	4015730	REACTOR (M5)	89 4000023 SEALING MATERIAL (M5)
35	2261072	EARTH WIRE (M5)	90 032284J SEALER/ DRAIN HOSE (M5)
36	NA	SERVICE COVER ASSY (M5)	91 2533760 HOSE BAND (M5)
37	2261089	DRAIN PUMP (M5)	92 1755334 WASHER FIXING MATERIAL (M5)
38	2534708	FLOAT SWITCH ASSY. (M5)	93 2455745 DRAIN HOSE (M5)
39	4015732	DRAIN PUMP MOUNTING STAND (M5)	94 2261298 SEALING MATERIAL (M5)
40	2261104	FLOAT SWITCH MOUNTING PLATE (M5)	95 2393001 CONDUIT MOUNTING PLATE (M5)
41	2261111	DRAIN PUMP MOUNTING PLATE (M5)	
42	4005686	TERMINAL BLOCK (CONTROL) (M5)	
43	NA	GROUNDING WIRE (M5)	
44	4015734	WIRE HARNESS ASSY. (M5)	
45	2374682	WIRE HARNESS ASSY. (REMOTE CONTROLLER) (M5)	
46	4018727	WIRE HARNESS ASSY. (M5)	
47	2258139	WIRE HARNESS ASSY. (ACS) (M5)	
48	NA	TAPPING SCREW (M5)	
49	NA	PAN HEAD TAPPING SCREW (M5)	
50	352004	WIRE CLIP (M5)	
51	027843J	WIRE CLIP (M5)	
52	1855164	HARNESS LIFT (M5)	
53	0816755	RESIN CLAMP (M5)	
54	NA	TRUSS HEAD TAPPING SCREW (M5)	
55	NA	CROSS-RECESSED TAPPING SCREW (M5)	

# FDMQ15WVJU9

**Ref. Part**  
**No: No: Description:**

**Ref. Part**  
**No: No: Description:**

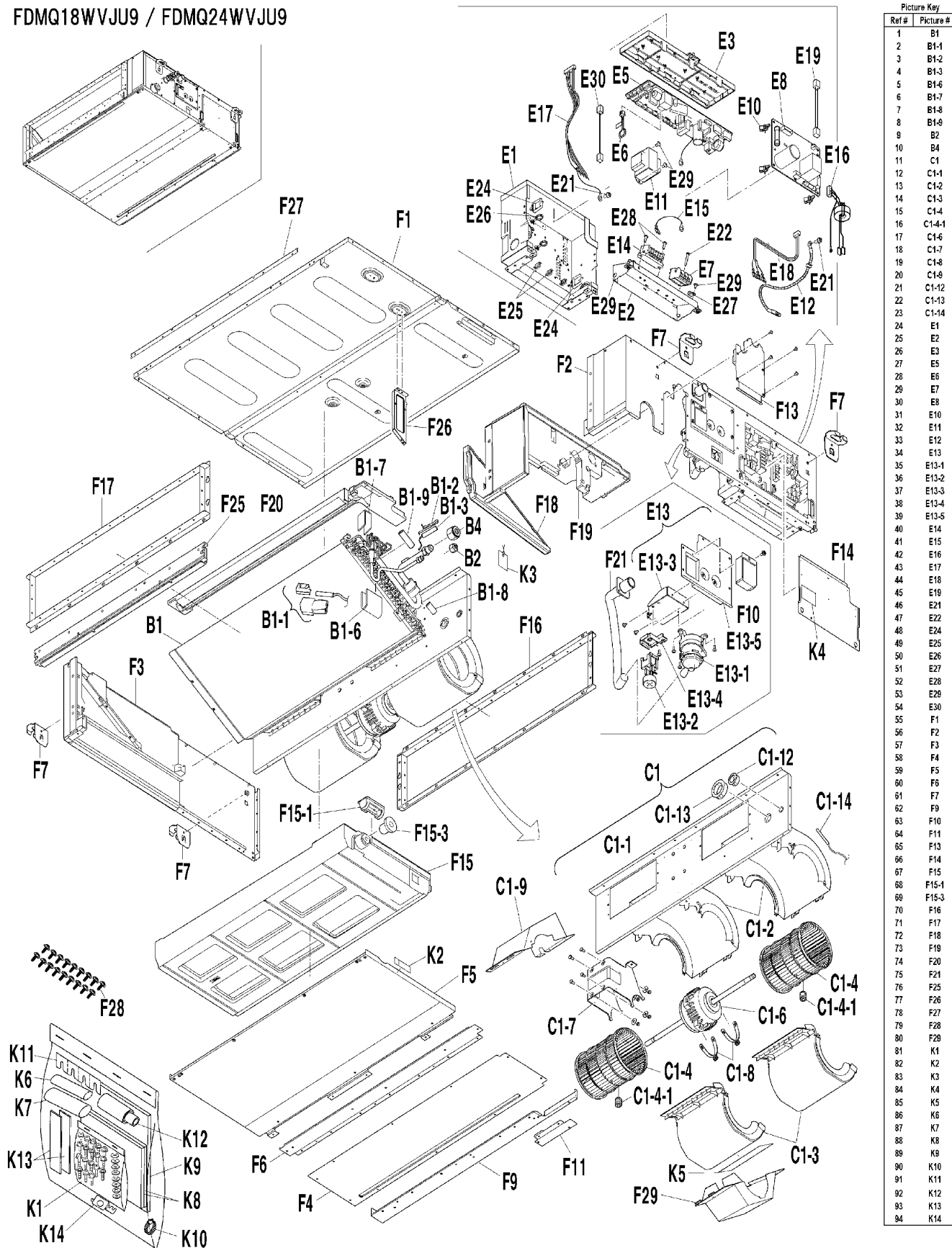
---

## Expanded Model Nomenclature

- M1 - CDMQ07WVJU9
- M2 - CTXS07WVJU9
- M3 - FDMQ09WVJU9
- M4 - FDMQ12WVJU9
- M5 - FDMQ15WVJU9
- M6 - FDMQ18WVJU9
- M7 - FDMQ24WVJU9
- M8 - FTXS09WVJU9
- M9 - FTXS12WVJU9
- M10 - FTXS15WVJU9
- M11 - FTXS18WVJU9
- M12 - FTXS24WVJU9
- M13 - FVXS09WVJU9
- M14 - FVXS12WVJU9
- M15 - FVXS15WVJU9
- M16 - FVXS18WVJU9

# FDMQ[18-24]WVJU9

FDMQ18WVJU9 / FDMQ24WVJU9



Picture Key	
Ref #	Picture #
1	B1
2	B1-1
3	B1-2
4	B1-3
5	B1-6
6	B1-7
7	B1-8
8	B1-9
9	B2
10	B4
11	C1
12	C1-1
13	C1-2
14	C1-3
15	C1-4
16	C1-4-1
17	C1-6
18	C1-7
19	C1-8
20	C1-9
21	C1-12
22	C1-13
23	C1-14
24	E1
25	E2
26	E3
27	E5
28	E6
29	E7
30	E8
31	E10
32	E11
33	E12
34	E13
35	E13-1
36	E13-2
37	E13-3
38	E13-4
39	E13-5
40	E14
41	E15
42	E16
43	E17
44	E18
45	E19
46	E21
47	E22
48	E24
49	E25
50	E26
51	E27
52	E28
53	E29
54	E30
55	F1
56	F2
57	F3
58	F4
59	F5
60	F6
61	F7
62	F9
63	F10
64	F11
65	F13
66	F14
67	F15
68	F15-1
69	F15-3
70	F16
71	F17
72	F18
73	F19
74	F20
75	F21
76	F22
77	F23
78	F24
79	F25
80	F26
81	F27
82	F28
83	K1
84	K2
85	K3
86	K4
87	K5
88	K6
89	K7
90	K8
91	K9
92	K10
93	K11
94	K12
95	K13
96	K14

# FDMQ[18-24]WVJU9

Ref. Part No: No:	Description:	Ref. Part No: No:	Description:
<b>Image 1:</b>		<b>Image 1:</b>	
1	2546478	53	NA
1	2546479	54	2385675
2	2258254	55	2261320
3	007432J	56	2261135
4	2258247	57	2261142
5	NA	58	2261337
6	NA	59	2261344
7	NA	60	2261351
8	NA	61	2261180
9	1723546	62	2261553
10	119849J	63	2261205
10	119850J	64	4015767
11	2393025	65	2261212
12	2261313	66	2261229
13	2261034	67	2258184
14	2261041	68	1985421
15	1863716	69	537994
16	011582J	70	2261560
17	2385707	71	2261577
18	2261058	72	2261250
19	4007850	73	2261267
20	2392969	74	2261584
21	170618J	75	2261281
22	144573J	76	4017147
23	2258261	77	NA
24	NA	78	2374699
25	2374668	79	NA
26	2374675	80	2392990
27	2546476	81	NA
28	065336J	82	NA
28	065341J	83	NA
29	139491J	84	NA
30	2393032	85	NA
31	380402J	86	038187J
32	4015730	87	031111J
33	2261072	88	4000023
34	NA	89	032284J
35	2261089	90	2533760
36	2534708	91	1755334
37	4015732	92	2455745
38	2261104	93	2261298
39	2261111	94	2393001
40	4005686		
41	NA		
42	4015734		
43	2374682		
44	4018727		
45	2258139		
46	NA		
47	NA		
48	352004		
49	027843J		
50	1855164		
51	0816755		
52	NA		

# FDMQ[18-24]WVJU9

Ref. Part

No: No:

Description:

Ref. Part

No: No:

Description:

---

## Expanded Model Nomenclature

M1 - CDMQ07WVJU9
M2 - CTXS07WVJU9
M3 - FDMQ09WVJU9
M4 - FDMQ12WVJU9
M5 - FDMQ15WVJU9
M6 - FDMQ18WVJU9
M7 - FDMQ24WVJU9
M8 - FTXS09WVJU9
M9 - FTXS12WVJU9
M10 - FTXS15WVJU9
M11 - FTXS18WVJU9
M12 - FTXS24WVJU9
M13 - FVXS09WVJU9
M14 - FVXS12WVJU9
M15 - FVXS15WVJU9
M16 - FVXS18WVJU9

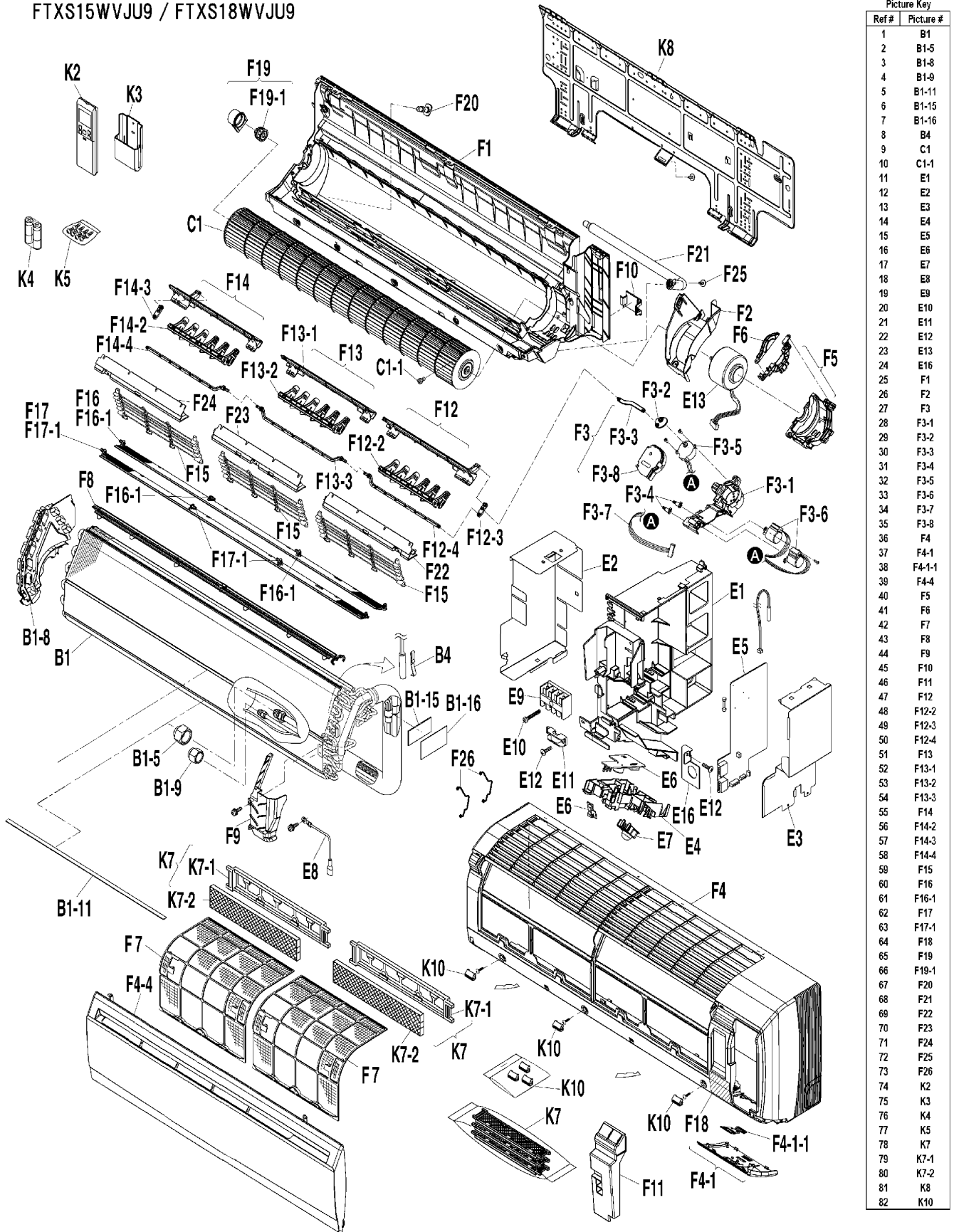


# FTXS[09-12]WVJU9

Ref. Part No:	Ref. Part No:	Description:	Description:																	
<b>Image 1:</b>		<b>Image 1:</b>																		
1	4009431	HEAT EXCHANGER ASSY. (M8, M9)	53	4007611	INTERLOCK ROD (4) (M8, M9)															
2	1841684	PUTTY (M8, M9)	54	4022744	FAN GUARD ASSY. (M8, M9)															
3	1723546	FLARE NUT (M8, M9)	55	4007620	HORIZONTAL VANE/ DISCH. GRILLE (M8, M9)															
4	119848J	FLARE NUT (M8, M9)	56	1840922	ROD/ HORIZONTAL VANE (M8, M9)															
5	4014018	SIDE PANEL (LEFT) ASSY. (M8, M9)	57	4007621	HORIZONTAL VANE/ DISCH. GRILLE (M8, M9)															
6	6015237	WIRE SPRING (M8, M9)	58	1840922	ROD/ HORIZONTAL VANE (M8, M9)															
7	4007594	SEALING PLATE (M8, M9)	59	NA	CAUTION LABEL (ELECTRIC SHOCK) (M8, M9)															
8	4007595	PUTTY (M8)	60	2064675	FAN BEARING ASSY. (M8, M9)															
8	6015281	PUTTY (M9)	61	156867J	VIBRATION ABSORBER/ FAN BEARING (M8, M9)															
9	NA	TAPPING SCREW (M8, M9)	62	6028456	DRAIN SOCKET CAP (M8, M9)															
10	380120J	FITTING SPRING/ THERMISTOR (M8, M9)	63	2547544	DRAIN HOSE (M8, M9)															
11	4023350	CROSS FLOW FAN ASSY. (M8, M9)	64	4007639	AIR OUTLET ASSY. (M8, M9)															
12	051605J	HEX SOCKET SCREW (M8, M9)	65	NA	TAPPING SCREW (M8, M9)															
13	4007598	SWITCH BOX (M8, M9)	66	2532812	REMOTE CONTROLLER ASSY (M8, M9)															
14	4007599	SHIELD PLATE (1) (M8, M9)	67	4000889	HOLDER/ REMOTE CONTROLLER (M8, M9)															
15	4007600	SHIELD PLATE (2) (M8, M9)	68	NA	BATTERY KIT (M8, M9)															
16	4007601	INDICATION LAMP COVER (M8, M9)	69	NA	SCREW KIT (M8, M9)															
17	2547458	PRINTED CIRCUIT BOARD ASSY. (M8)	70	NA	AIR FILTER ASSY. (M8, M9)															
17	2547459	PRINTED CIRCUIT BOARD ASSY. (M9)	71	1597259	DUST COLLECTING ELEMENT FRAME (M8, M9)															
18	1840030	EARTH WIRE (M8, M9)	72	NA	AIR-PURIFYING FILTER (M8, M9)															
19	2531967	TERMINAL STRIP (M8, M9)	73	4007631	INSTALLATION PLATE (M8, M9)															
20	NA	PAN HEAD TAPPING SCREW (M8, M9)	74	4007634	PUTTY (M9)															
21	0812847	WIRE CLAMP (M8, M9)	<b>Expanded Model Nomenclature</b>																	
22	1840047	SEALING MATERIAL (M8, M9)	<table border="1"> <tr><td>M1 - CDMQ07WVJU9</td></tr> <tr><td>M2 - CTXS07WVJU9</td></tr> <tr><td>M3 - FDMQ09WVJU9</td></tr> <tr><td>M4 - FDMQ12WVJU9</td></tr> <tr><td>M5 - FDMQ15WVJU9</td></tr> <tr><td>M6 - FDMQ18WVJU9</td></tr> <tr><td>M7 - FDMQ24WVJU9</td></tr> <tr><td>M8 - FTXS09WVJU9</td></tr> <tr><td>M9 - FTXS12WVJU9</td></tr> <tr><td>M10 - FTXS15WVJU9</td></tr> <tr><td>M11 - FTXS18WVJU9</td></tr> <tr><td>M12 - FTXS24WVJU9</td></tr> <tr><td>M13 - FVXS09WVJU9</td></tr> <tr><td>M14 - FVXS12WVJU9</td></tr> <tr><td>M15 - FVXS15WVJU9</td></tr> <tr><td>M16 - FVXS18WVJU9</td></tr> </table>		M1 - CDMQ07WVJU9	M2 - CTXS07WVJU9	M3 - FDMQ09WVJU9	M4 - FDMQ12WVJU9	M5 - FDMQ15WVJU9	M6 - FDMQ18WVJU9	M7 - FDMQ24WVJU9	M8 - FTXS09WVJU9	M9 - FTXS12WVJU9	M10 - FTXS15WVJU9	M11 - FTXS18WVJU9	M12 - FTXS24WVJU9	M13 - FVXS09WVJU9	M14 - FVXS12WVJU9	M15 - FVXS15WVJU9	M16 - FVXS18WVJU9
M1 - CDMQ07WVJU9																				
M2 - CTXS07WVJU9																				
M3 - FDMQ09WVJU9																				
M4 - FDMQ12WVJU9																				
M5 - FDMQ15WVJU9																				
M6 - FDMQ18WVJU9																				
M7 - FDMQ24WVJU9																				
M8 - FTXS09WVJU9																				
M9 - FTXS12WVJU9																				
M10 - FTXS15WVJU9																				
M11 - FTXS18WVJU9																				
M12 - FTXS24WVJU9																				
M13 - FVXS09WVJU9																				
M14 - FVXS12WVJU9																				
M15 - FVXS15WVJU9																				
M16 - FVXS18WVJU9																				
23	1840054	PRINTED CIRCUIT ASSY. (PHOTO/DISPLAY) (M8, M9)																		
24	1840061	PYROELECTRIC PASSIVE INFRARED SENSOR (M8, M9)																		
25	2444170	DC FAN MOTOR (M8, M9)																		
26	NA	TRUSS HEAD TAPPING SCREW (M8, M9)																		
27	2544721	CONDUIT MOUNTING PLATE (M8, M9)																		
28	4011258	BOTTOM FRAME ASSY. (SUB ASSY.) (M8, M9)																		
29	4007622	SIDE PLATE (RIGHT) (M8, M9)																		
30	4007612	COVER (LINK ASSY.) (M8, M9)																		
31	4007613	COVER (LINK) (M8, M9)																		
32	4007614	INTERLOCK ROD (1) (M8, M9)																		
33	4007615	INTERLOCK ROD (2) (M8, M9)																		
34	4007616	ROD (M8, M9)																		
35	179743J	SWING MOTOR (M8, M9)																		
36	4007617	STEPPING MOTOR (M8, M9)																		
37	4007618	WIRE HARNESS ASSY. (S/M) (M8, M9)																		
38	4007623	FRONT GRILLE ASSY. (M8, M9)																		
39	4007624	FRONT PANEL (M8, M9)																		
40	4007625	CONTROL PANEL ASSY. (M8, M9)																		
41	NA	OPERATION SIGN COVER (M8, M9)																		
42	4007597	AIR FILTER (M8, M9)																		
43	4000880	MOTOR MOUNTING PLATE (3) (M8, M9)																		
44	4007626	PIPING FIXTURE (M8, M9)																		
45	4007627	SEALING PLATE (M8, M9)																		
46	4007628	SERVICE LID ASSY. (M8, M9)																		
47	4007629	PARTITION PLATE/ EVAPORATOR (M8)																		
48	4007630	MOTOR MOUNTING PLATE (LOWER) (M8, M9)																		
49	4007607	DRAIN PAN (STABILIZER) (M8, M9)																		
50	4007608	DRAIN PAN (M8, M9)																		
51	4007609	VERTICAL VANE/ AIR DISCHARGE (M8, M9)																		
52	4007610	INTERLOCK ROD (3) (M8, M9)																		

# FTXS[15-18]WVJU9

FTXS15WVJU9 / FTXS18WVJU9



Picture Key

Ref #	Picture #
1	B1
2	B1-5
3	B1-8
4	B1-9
5	B1-11
6	B1-15
7	B1-16
8	B4
9	C1
10	C1-1
11	E1
12	E2
13	E3
14	E4
15	E5
16	E6
17	E7
18	E8
19	E9
20	E10
21	E11
22	E12
23	E13
24	E16
25	F1
26	F2
27	F3
28	F3-1
29	F3-2
30	F3-3
31	F3-4
32	F3-5
33	F3-6
34	F3-7
35	F3-8
36	F4
37	F4-1
38	F4-1-1
39	F4-4
40	F5
41	F6
42	F7
43	F8
44	F9
45	F10
46	F11
47	F12
48	F12-2
49	F12-3
50	F12-4
51	F13
52	F13-1
53	F13-2
54	F13-3
55	F14
56	F14-2
57	F14-3
58	F14-4
59	F15
60	F16
61	F16-1
62	F17
63	F17-1
64	F18
65	F19
66	F19-1
67	F20
68	F21
69	F22
70	F23
71	F24
72	F25
73	F26
74	K2
75	K3
76	K4
77	K5
78	K7
79	K7-1
80	K7-2
81	K8
82	K10

# FTXS[15-18]WVJU9

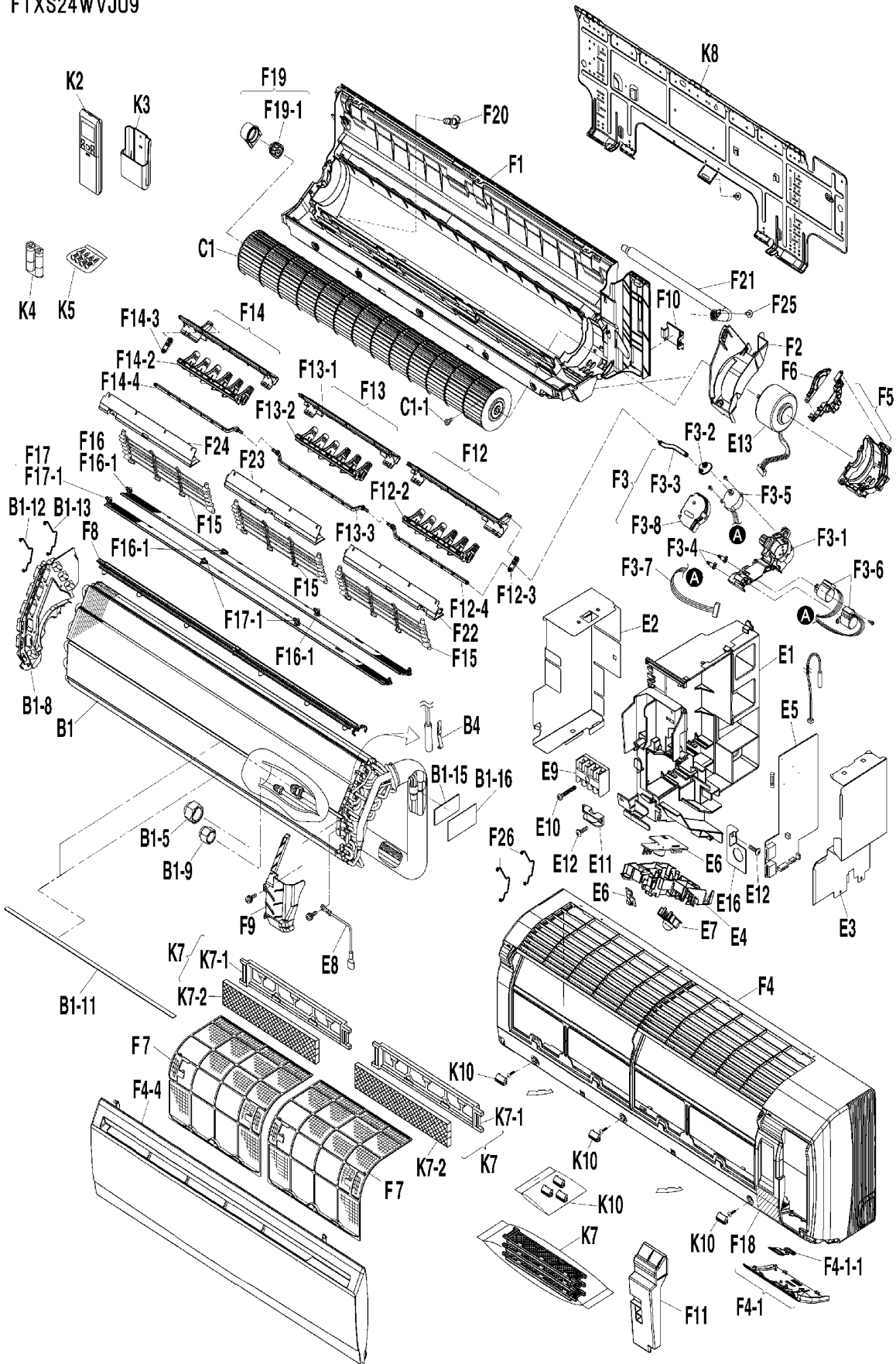
Ref. Part No: No:	Description:	Ref. Part No: No:	Description:
<b>Image 1:</b>		<b>Image 1:</b>	
1	4009489 HEAT EXCHANGER ASSY. (M10, M11)	52	4009451 FRONT STABILIZER (CENTER) (M10, M11)
2	119849J FLARE NUT (M10, M11)	53	4009447 VERT. BLADE (AUTO)/ DISCH. GRILLE (M10, M11)
3	4009438 SIDE PANEL (LEFT) ASSY. (M10, M11)	54	4009452 INTERLOCK ROD (CENTER) (M10, M11)
4	1723546 FLARE NUT (M10, M11)	55	4009453 FRONT STABILIZER ASSY. (LEFT)/ DRAIN PAN (M10, M11)
5	4009439 SEALING PLATE (H/E BENDING) (M10, M11)	56	4009447 VERT. BLADE (AUTO)/ DISCH. GRILLE (M10, M11)
6	135892J PUTTY (M10, M11)	57	4009448 INTERLOCK ROD (M10, M11)
7	4000832 SEALING MATERIAL (M10, M11)	58	4009449 INTERLOCK ROD (M10, M11)
8	380120J FITTING SPRING/ THERMISTOR (M10, M11)	59	4009497 FAN GUARD ASSY. (M10, M11)
9	4023349 CROSS FLOW FAN ASSY. (M10, M11)	60	4009462 HORIZONTAL VANE (UPPER)/ DISCH. GRILLE (M10, M11)
10	051605J HEX. SOCKET SCREW (M10, M11)	61	4000869 ROD/ HORIZONTAL VANE (M10, M11)
11	4000836 SWITCH BOX (M10, M11)	62	4009463 HORIZONTAL VANE (LOWER)/ DISCH. GRILLE (M10, M11)
12	4000837 SHIELD PLATE (1) (M10, M11)	63	4000869 ROD/ HORIZONTAL VANE (M10, M11)
13	4000838 SHIELD PLATE (2) (M10, M11)	64	NA CAUTION LABEL (ELECTRIC SHOCK) (M10, M11)
14	4000839 INDICATION LAMP COVER (M10, M11)	65	2456104 FAN BEARING ASSY. (M10, M11)
15	2547461 PRINTED CIRCUIT BOARD ASSY. (M10)	66	2456205 FAN BEARING ASSY. (M10, M11)
15	2547462 PRINTED CIRCUIT BOARD ASSY. (M11)	67	6028456 DRAIN SOCKET CAP (M10, M11)
16	4000843 PRINTED CIRCUIT BOARD ASSY. (PHOTO/ DISPLAY) (M10, M11)	68	2547544 DRAIN HOSE (M10, M11)
17	4000844 PRINTED CIRCUIT BOARD ASSY. (PYROELECTRIC PASSIVE) (M10, M11)	69	4009461 AIR OUTLET SKIRT (RIGHT) (M10, M11)
18	2065793 EARTH WIRE (TERMINAL) (M10, M11)	70	4009459 AIR OUTLET ASSY. (M10, M11)
19	2531967 TERMINAL STRIP (M10, M11)	71	4009460 AIR OUTLET ASSY. (M10, M11)
20	NA PAN HEAD TAPPING SCREW (M10, M11)	72	NA TAPPING SCREW (M10, M11)
21	0812847 WIRE CLAMP (M10, M11)	73	4009477 WIRE SPRING (TOP) (M10, M11)
22	NA TRUSS HEAD TAPPING SCREW (M10, M11)	74	2532812 REMOTE CONTROLLER ASSY (M10, M11)
23	4009358 DC FAN MOTOR (M10, M11)	75	4000889 HOLDER/ REMOTE CONTROLLER (M10, M11)
24	2546623 CONDUIT MOUNTING PLATE (M10, M11)	76	NA BATTERY KIT (M10, M11)
25	2546624 BOTTOM FRAME ASSY. (SUB) (M10, M11)	77	NA SCREW KIT (M10, M11)
26	4009471 SIDE PANEL (RIGHT) ASSY. (M10, M11)	78	NA AIR FILTER ASSY. (M10, M11)
27	4009455 COVER (LINK) ASSY. (M10, M11)	79	1597259 DUST COLLECTING ELEMENT FRAME (M10, M11)
28	4009456 COVER 1 (LINK) (M10, M11)	80	NA AIR-PURIFYING FILTER (M10, M11)
29	4009458 INTERLOCK ROD (1) (M10, M11)	81	4009478 INSTALLATION PLATE (M10, M11)
30	4000860 INTERLOCK ROD (2) (M10, M11)	82	4008291 SCREW COVER KIT (M10, M11)
31	4000861 ROD (S/M ROD) (M10, M11)		
32	1797578 SWING MOTOR (M10, M11)		
33	4000862 SWING MOTOR (M10, M11)		
34	4000863 WIRE HARNESS ASSY. (S/M) (M10, M11)		
35	4009457 COVER 2 (LINK) (M10, M11)		
36	4009498 FRONT GRILLE ASSY. (M10, M11)		
37	4000874 CONTROL PANEL ASSY. (M10, M11)		
38	4000875 OPERATION SIGN COVER (M10, M11)		
39	4009499 FRONT PANEL ASSY. (M10, M11)		
40	4009468 MOTOR MOUNTING PLATE ASSY. (M10, M11)		
41	4009470 MOTOR MOUNTING PLATE (3) (M10, M11)		
42	4009476 AIR FILTER (M10, M11)		
43	4009472 SEALING PLATE ASSY. (M10, M11)		
44	2065919 DRIP PROOF COVER (M10, M11)		
45	4000885 PIPING FIXTURE (M10, M11)		
46	4000886 SERVICE LID ASSY. (M10, M11)		
47	4009445 FRONT STABILIZER ASSY. (RIGHT)/ DRAIN PAN (M10, M11)		
48	4009447 VERT. BLADE (AUTO)/ DISCH. GRILLE (M10, M11)		
49	4009448 INTERLOCK ROD (M10, M11)		
50	4009449 INTERLOCK ROD (M10, M11)		
51	4009450 FRONT STABILIZER ASSY. (CENTER)/ DRAIN PAN (M10, M11)		

### Expanded Model Nomenclature

M1 - CDMQ07WVJU9
M2 - CTXS07WVJU9
M3 - FDMQ09WVJU9
M4 - FDMQ12WVJU9
M5 - FDMQ15WVJU9
M6 - FDMQ18WVJU9
M7 - FDMQ24WVJU9
M8 - FTXS09WVJU9
M9 - FTXS12WVJU9
M10 - FTXS15WVJU9
M11 - FTXS18WVJU9
M12 - FTXS24WVJU9
M13 - FVXS09WVJU9
M14 - FVXS12WVJU9
M15 - FVXS15WVJU9
M16 - FVXS18WVJU9

# FTXS24WVJU9

FTXS24WVJU9



Picture Key	
Ref #	Picture #
1	B1
2	B1-5
3	B1-8
4	B1-9
5	B1-11
6	B1-12
7	B1-13
8	B1-15
9	B1-16
10	B4
11	C1
12	C1-1
13	E1
14	E2
15	E3
16	E4
17	E5
18	E6
19	E7
20	E8
21	E9
22	E10
23	E11
24	E12
25	E13
26	E16
27	F1
28	F2
29	F3
30	F3-1
31	F3-2
32	F3-3
33	F3-4
34	F3-5
35	F3-6
36	F3-7
37	F3-8
38	F4
39	F4-1
40	F4-1-1
41	F4-4
42	F5
43	F6
44	F7
45	F8
46	F9
47	F10
48	F11
49	F12
50	F12-2
51	F12-3
52	F12-4
53	F13
54	F13-1
55	F13-2
56	F13-3
57	F14
58	F14-2
59	F14-3
60	F14-4
61	F15
62	F16
63	F16-1
64	F17
65	F17-1
66	F18
67	F19
68	F19-1
69	F20
70	F21
71	F22
72	F23
73	F24
74	F25
75	F26
76	K2
77	K3
78	K4
79	K5
80	K7
81	K7-1
82	K7-2
83	K8
84	K10

# FTXS24WVJU9

Ref. Part No:	Ref. Part No:	Description:	Description:		
<b>Image 1:</b>		<b>Image 1:</b>			
1	4009490	HEAT EXCHANGER ASSY. (M12)	53	4009450	FRONT STABILIZER ASSY. (CENTER)/ DRAIN PAN (M12)
2	119850J	FLARE NUT (M12)	54	4009451	FRONT STABILIZER (CENTER) (M12)
3	4009438	SIDE PANEL (LEFT) ASSY. (M12)	55	4009447	VERT. BLADE (AUTO)/ DISCH. GRILLE (M12)
4	1723546	FLARE NUT (M12)	56	4009452	INTERLOCK ROD (CENTER) (M12)
5	4009439	SEALING PLATE (H/E BENDING) (M12)	57	4009453	FRONT STABILIZER ASSY. (LEFT)/ DRAIN PAN (M12)
6	4009440	WIRE SPRING (FRONT) (M12)	58	4009447	VERT. BLADE (AUTO)/ DISCH. GRILLE (M12)
7	4009441	WIRE SPRING (REAR) (M12)	59	4009448	INTERLOCK ROD (M12)
8	135892J	PUTTY (M12)	60	4009449	INTERLOCK ROD (M12)
9	4000832	SEALING MATERIAL (M12)	61	4009497	FAN GUARD ASSY. (M12)
10	380120J	FITTING SPRING/ THERMISTOR (M12)	62	4009462	HORIZONTAL VANE (UPPER)/ DISCH. GRILLE (M12)
11	4023349	CROSS FLOW FAN ASSY. (M12)	63	4000869	ROD/ HORIZONTAL VANE (M12)
12	051605J	HEX SOCKET SCREW (M12)	64	4009463	HORIZONTAL VANE (LOWER)/ DISCH. GRILLE (M12)
13	4000836	SWITCH BOX (M12)	65	4000869	ROD/ HORIZONTAL VANE (M12)
14	4000837	SHIELD PLATE (1) (M12)	66	NA	CAUTION LABEL (ELECTRIC SHOCK) (M12)
15	4000838	SHIELD PLATE (2) (M12)	67	2456104	FAN BEARING ASSY. (M12)
16	4000839	INDICATION LAMP COVER (M12)	68	2456205	FAN BEARING ASSY. (M12)
17	2547460	PCB ASSY (EX21024) (M12)	69	6028456	DRAIN SOCKET CAP (M12)
18	4000843	PRINTED CIRCUIT BOARD ASSY. (PHOTO/ DISPLAY) (M12)	70	2547544	DRAIN HOSE (M12)
19	4000844	PRINTED CIRCUIT BOARD ASSY. (PYROELECTRIC PASSIVE) (M12)	71	4009461	AIR OUTLET SKIRT (RIGHT) (M12)
20	2065793	EARTH WIRE (TERMINAL) (M12)	72	4009459	AIR OUTLET ASSY. (M12)
21	2531967	TERMINAL STRIP (M12)	73	4009460	AIR OUTLET ASSY. (M12)
22	NA	PAN HEAD TAPPING SCREW (M12)	74	NA	TAPPING SCREW (M12)
23	0812847	WIRE CLAMP (M12)	75	4009477	WIRE SPRING (TOP) (M12)
24	NA	TRUSS HEAD TAPPING SCREW (M12)	76	2532812	REMOTE CONTROLLER ASSY (M12)
25	4009358	DC FAN MOTOR (M12)	77	4000889	HOLDER/ REMOTE CONTROLLER (M12)
26	2546623	CONDUIT MOUNTING PLATE (M12)	78	NA	BATTERY KIT (M12)
27	2546624	BOTTOM FRAME ASSY. (SUB) (M12)	79	NA	SCREW KIT (M12)
28	4009471	SIDE PANEL (RIGHT) ASSY. (M12)	80	NA	AIR FILTER ASSY. (M12)
29	4009455	COVER (LINK) ASSY. (M12)	81	1597259	DUST COLLECTING ELEMENT FRAME (M12)
30	4009456	COVER 1 (LINK) (M12)	82	NA	AIR-PURIFYING FILTER (M12)
31	4009458	INTERLOCK ROD (1) (M12)	83	4009478	INSTALLATION PLATE (M12)
32	4000860	INTERLOCK ROD (2) (M12)	84	4008291	SCREW COVER KIT (M12)
33	4000861	ROD (S/M ROD) (M12)			
34	1797578	SWING MOTOR (M12)			
35	4000862	SWING MOTOR (M12)			
36	4000863	WIRE HARNESS ASSY. (S/M) (M12)			
37	4009457	COVER 2 (LINK) (M12)			
38	4009498	FRONT GRILLE ASSY. (M12)			
39	4000874	CONTROL PANEL ASSY. (M12)			
40	4000875	OPERATION SIGN COVER (M12)			
41	4009499	FRONT PANEL ASSY. (M12)			
42	4009468	MOTOR MOUNTING PLATE ASSY. (M12)			
43	4009470	MOTOR MOUNTING PLATE (3) (M12)			
44	4009476	AIR FILTER (M12)			
45	4009472	SEALING PLATE ASSY. (M12)			
46	4009475	DRIP PROOF COVER (M12)			
47	4000885	PIPING FIXTURE (M12)			
48	4000886	SERVICE LID ASSY. (M12)			
49	4009445	FRONT STABILIZER ASSY. (RIGHT)/ DRAIN PAN (M12)			
50	4009447	VERT. BLADE (AUTO)/ DISCH. GRILLE (M12)			
51	4009448	INTERLOCK ROD (M12)			
52	4009449	INTERLOCK ROD (M12)			

# FTXS24WVJU9

**Ref. Part**  
**No: No: Description:**

**Ref. Part**  
**No: No: Description:**

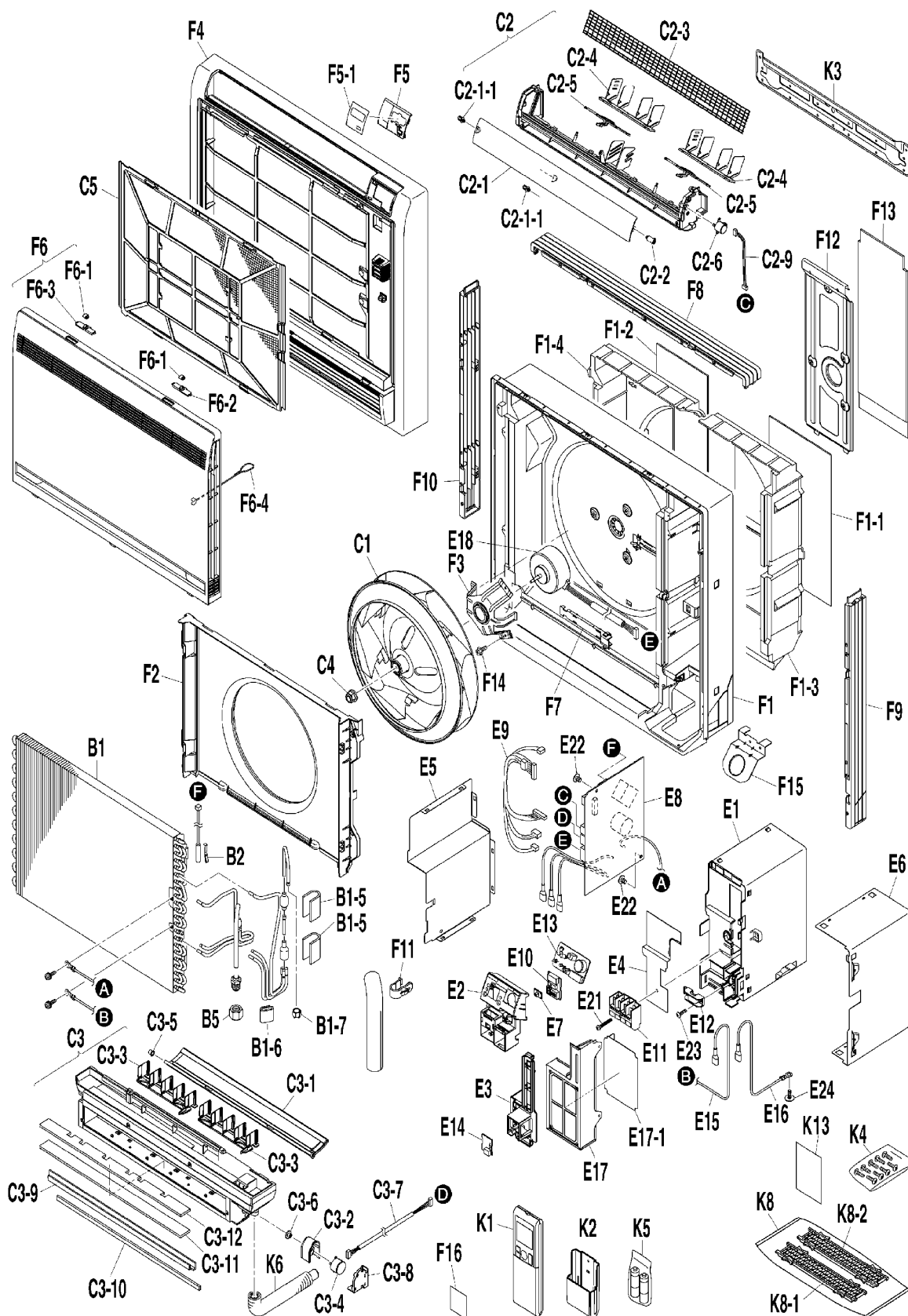
---

## Expanded Model Nomenclature

- M1 - CDMQ07WVJU9
- M2 - CTXS07WVJU9
- M3 - FDMQ09WVJU9
- M4 - FDMQ12WVJU9
- M5 - FDMQ15WVJU9
- M6 - FDMQ18WVJU9
- M7 - FDMQ24WVJU9
- M8 - FTXS09WVJU9
- M9 - FTXS12WVJU9
- M10 - FTXS15WVJU9
- M11 - FTXS18WVJU9
- M12 - FTXS24WVJU9
- M13 - FVXS09WVJU9
- M14 - FVXS12WVJU9
- M15 - FVXS15WVJU9
- M16 - FVXS18WVJU9

# FVXS[09/12/15/18]WVJU9

FVXS09WVJU9 / FVXS12WVJU9 / FVXS15WVJU9 / FVXS18WVJU9



Picture Key	
Ref #	Picture #
1	B1
2	B1-5
3	B1-6
4	B1-7
5	B2
6	B5
7	C1
8	C2
9	C2-1
10	C2-1-1
11	C2-2
12	C2-3
13	C2-4
14	C2-5
15	C2-6
16	C2-9
17	C3
18	C3-1
19	C3-2
20	C3-3
21	C3-4
22	C3-5
23	C3-6
24	C3-7
25	C3-8
26	C3-9
27	C3-10
28	C3-11
29	C3-12
30	C4
31	C5
32	E1
33	E2
34	E3
35	E4
36	E5
37	E6
38	E7
39	E8
40	E9
41	E10
42	E11
43	E12
44	E13
45	E14
46	E15
47	E16
48	E17
49	E17-1
50	E18
51	E21
52	E22
53	E23
54	E24
55	F1
56	F1-1
57	F1-2
58	F1-3
59	F1-4
60	F2
61	F3
62	F4
63	F5
64	F5-1
65	F6
66	F6-1
67	F6-2
68	F6-3
69	F6-4
70	F7
71	F8
72	F9
73	F10
74	F11
75	F12
76	F13
77	F14
78	F15
79	F16
80	K1
81	K2
82	K3
83	K4
84	K5
85	K6
86	K8
87	K8-1
88	K8-2
89	K13

# FVXS[09/12/15/18]WVJU9

Ref. Part No:	Part No:	Description:	Ref. Part No:	Part No:	Description:
<i>Image 1:</i>			<i>Image 1:</i>		
1	1911987	EVAPORATOR ASSY. (M13, M14, M15, M16)	40	1767724	WIRE HARNESS ASSY. (M13, M14, M15, M16)
2	1767399	PUTTY (M13, M14, M15, M16)	41	1767731	PRINTED CIRCUIT BOARD ASSY. (SERVICE) (M13, M14, M15, M16)
3	1767407	PUTTY (M13, M14, M15, M16)			
4	1723546	FLARE NUT (M13, M14, M15, M16)	42	1724688	TERMINAL BLOCK (M13, M14, M15, M16)
5	380120J	FITTING SPRING/ THERMISTOR (M13, M14, M15, M16)	43	0812847	WIRE CLAMP (M13, M14, M15, M16)
			44	1767748	PRINTED CIRCUIT BOARD ASSY. (DISPLAY) (M13, M14, M15, M16)
6	119848J	FLARE NUT (M13, M14, M15, M16)			
7	1767414	TURBO FAN ASSY. (M13, M14, M15, M16)	45	1767755	PRINTED CIRCUIT BOARD ASSY. (SENSOR) (M13, M14, M15, M16)
8	1767421	AIR GUIDE PLATE ASSY. (M13, M14, M15, M16)			
9	1767438	HOR. VANE ASSY./ DISCH. GRILLE (M13, M14, M15, M16)	46	1767762	EARTH WIRE (M13, M14, M15, M16)
			47	1767779	EARTH WIRE (FUNCTIONAL EARTH) (M13, M14, M15, M16)
10	169060J	ROD/ HORIZONTAL VANE (M13, M14, M15, M16)			
11	1767445	SHAFT (M13, M14, M15, M16)	48	2547651	SHIELD PLATE ASSY. (M13, M14, M15, M16)
12	1767452	PROTECTION NET/ AIR OUTLET (M13, M14, M15, M16)	49	2547652	INSULATION SHEET (M13, M14, M15, M16)
			50	1964671	DC FAN MOTOR (M13, M14, M15, M16)
13	1767508	VERT. VANE (UPPER)/ DISCH. GRILLE (M13, M14, M15, M16)	51	174888J	PAN HEAD TAPPING SCREW (M13, M14, M15, M16)
14	1767515	VERT. VANE INTERLOCK/ DISCH. GRILLE (M13, M14, M15, M16)	52	111403J	PAN HEAD TAPPING SCREW (M13, M14, M15, M16)
15	151065J	STEPPING MOTOR (M13, M14, M15, M16)	53	121650J	TRUSS HEAD TAPPING SCREW (M13, M14, M15, M16)
16	1767546	WIRE HARNESS ASSY. (UPPER) (M13, M14, M15, M16)			
			54	113783J	TAPPING SCREW (M13, M14, M15, M16)
17	2252287	DRAIN PAN (M13, M14, M15, M16)	55	2250337	BOTTOM FRAME ASSY. (M13, M14, M15, M16)
18	1767560	DAMPER ASSY. (M13, M14, M15, M16)	56	1767825	ANTISWEAT MATERIAL (RIGHT) (M13, M14, M15, M16)
19	1767577	COVER ASSY. (M13, M14, M15, M16)			
20	1767584	VERT. VANE (LOWER)/ DISCH. GRILLE (M13, M14, M15, M16)	57	1767832	ANTISWEAT MATERIAL (LEFT) (M13, M14, M15, M16)
21	1767591	STEPPING MOTOR ASSY. (M13, M14, M15, M16)	58	1786756	THERMAL INSULATION ASSY. (M13, M14, M15, M16)
22	1767609	SLEEVE BEARING (M13, M14, M15, M16)			
23	1767616	SHAFT (DAMPER) (M13, M14, M15, M16)	59	1786763	THERMAL INSULATION ASSY. (M13, M14, M15, M16)
24	1767623	WIRE HARNESS ASSY. (LOWER) (M13, M14, M15, M16)			
			60	1767849	BELL MOUTH ASSY. (M13, M14, M15, M16)
25	1767630	COVER (2) (M13, M14, M15, M16)	61	1767856	COVER/ MOTOR (M13, M14, M15, M16)
26	1786578	SEALING MATERIAL (M13, M14, M15, M16)	62	1767863	FRONT GRILLE ASSY. (M13, M14, M15, M16)
27	1786585	SEALING MATERIAL (M13, M14, M15, M16)	63	1767894	CONTROL PANEL ASSY. (M13, M14, M15, M16)
28	1786592	THERMAL INSULATION (M13, M14, M15, M16)	64	1767919	INDICATION LABEL (M13, M14, M15, M16)
29	1786600	THERMAL INSULATION (M13, M14, M15, M16)	65	1767926	SUCTION GRILLE ASSY. (M13, M14, M15, M16)
30	847002J	FAN RETAINING NUT (M13, M14, M15, M16)	66	1767933	KNOB (1) (M13, M14, M15, M16)
31	1767647	AIR FILTER (M13, M14, M15, M16)	67	1768013	KNOB (2) R (M13, M14, M15, M16)
32	2268864	SWITCH BOX (M13, M14, M15, M16)	68	1768020	KNOB (2) L (M13, M14, M15, M16)
33	1767661	INDICATION LAMP COVER (M13, M14, M15, M16)	69	1768037	STRING (M13, M14, M15, M16)
34	1767678	MOUNTING PLATE/ PCB (M13, M14, M15, M16)	70	1768044	WIRE CLAMP (M13, M14, M15, M16)
35	1767685	SHIELD PLATE (M13, M14, M15, M16)	71	2252294	CASING (UPPER) (M13, M14, M15, M16)
36	1767692	SHIELD PLATE (M13, M14, M15, M16)	72	1768068	CASING (RIGHT) (M13, M14, M15, M16)
37	1767700	SHIELD PLATE (M13, M14, M15, M16)	73	1768075	CASING (LEFT) (M13, M14, M15, M16)
38	0728803	SWITCH KNOB (M13, M14, M15, M16)	74	1768082	FIXTURE/ REF. PIPING (M13, M14, M15, M16)
39	2341846	PRINTED CIRCUIT BOARD ASSY. (CONTROL) (M13)	75	1768099	REINFORCE PLATE ASSY. (M13, M14, M15, M16)
			76	1768107	THERMAL INSULATION ASSY. (M13, M14, M15, M16)
39	2341853	PRINTED CIRCUIT BOARD ASSY. (CONTROL) (M14)			
			77	1901601	HEX HEAD TAPPING SCREW (M13, M14, M15, M16)
39	2341860	PRINTED CIRCUIT BOARD ASSY. (CONTROL) (M16)			
			78	2265579	CONDUIT MOUNTING PLATE (M13, M14, M15, M16)
39	2351588	PRINTED CIRCUIT BOARD ASSY. (CONTROL) (M15)	79	NA	CAUTION LABEL (ELECTRIC SHOCK) (M13, M14, M15, M16)

# FVXS[09/12/15/18]WVJU9

Ref. Part No:	No:	Description:	Ref. Part No:	No:	Description:
<b>Image 1:</b>					
80	2262602	REMOTE CONTROLLER ASSY. (M13, M14, M15, M16)			
81	2111519	REMOTE CONTROLLER HOLDER (M13, M14, M15, M16)			
82	1768121	INSTALLATION PLATE (M13, M14, M15, M16)			
83	NA	SCREW PACK (M13, M14, M15, M16)			
84	NA	BATTERY KIT (M13, M14, M15, M16)			
85	1768138	DRAIN HOSE ASSY. (M13, M14, M15, M16)			
86	NA	AIR FILTER ASSY. (M13, M14, M15, M16)			
87	095960J	FRAME/ STATICAL FILTER (M13, M14, M15, M16)			
88	NA	AIR-PURIFYING FILTER (M13, M14, M15, M16)			
89	1786871	THERMAL INSULATION TAPE (M13, M14, M15, M16)			

## Expanded Model Nomenclature

- M1 - CDMQ07WVJU9
- M2 - CTXS07WVJU9
- M3 - FDMQ09WVJU9
- M4 - FDMQ12WVJU9
- M5 - FDMQ15WVJU9
- M6 - FDMQ18WVJU9
- M7 - FDMQ24WVJU9
- M8 - FTXS09WVJU9
- M9 - FTXS12WVJU9
- M10 - FTXS15WVJU9
- M11 - FTXS18WVJU9
- M12 - FTXS24WVJU9
- M13 - FVXS09WVJU9
- M14 - FVXS12WVJU9
- M15 - FVXS15WVJU9
- M16 - FVXS18WVJU9