
FTK FTX FTXB[09,12]BXVJU FTXNG[09,12]AXVJU Wall Mounted Indoor Unit

FTK09BXVJU
FTK12BXVJU
FTK18BXVJU
FTK24BXVJU
FTX09BXVJU
FTX12BXVJU
FTX18BXVJU
FTX24BXVJU
FTXB09BXVJU
FTXB12BXVJU
FTXB18BXVJU
FTXB24BXVJU
FTXNG09AXVJU
FTXNG12AXVJU
FTXNG18AXVJU



This manual is to be used by qualified technicians only.

Important Information

Index

Functional Parts List	3
Illustration and Parts	4 - 9

Views shown are for parts illustrations only, not servicing procedures.

Text Codes:

AR - As Required

NA - Not Available

NS - Not Shown

00000000 - See Note

QTY - Quantity Example (QTY 3) (If Quantity not shown, Quantity = 1)

M - Model Example (M1) (If M Code not shown, then part is used on all Models)

Expanded Model Nomenclature:

Example
M1 - Model#1
M2 - Model#2
M3 - Model#3

Daikin Comfort Technologies Manufacturing , L.P. is not responsible for personal injury or property damage resulting from improper service. Review all service information before beginning repairs.

Warranty service must be performed by an authorized technician, using authorized factory parts. If service is required after the warranty expires, Daikin Comfort Technologies Manufacturing , L.P. also recommends contacting an authorized technician and using authorized factory parts.

Daikin Comfort Technologies Manufacturing , L.P. reserves the right to discontinue, or change at any time, specifications or designs without notice or without incurring obligations.

For assistance within the U.S.A. contact:
Homeowner Support
Daikin Comfort Technologies Manufacturing , L.P.
19001 Kermier Road
Waller, Texas 77484
855-770-5678-Telephone
713-863-2382-Facsimile

For assistance outside the U.S.A. contact:
International Division
Daikin Comfort Technologies Manufacturing , L.P.
19001 Kermier Road
Waller, Texas 77484
713-861-2500-Telephone
713-863-2382-Facsimile

Functional Parts

Part

No: Description:

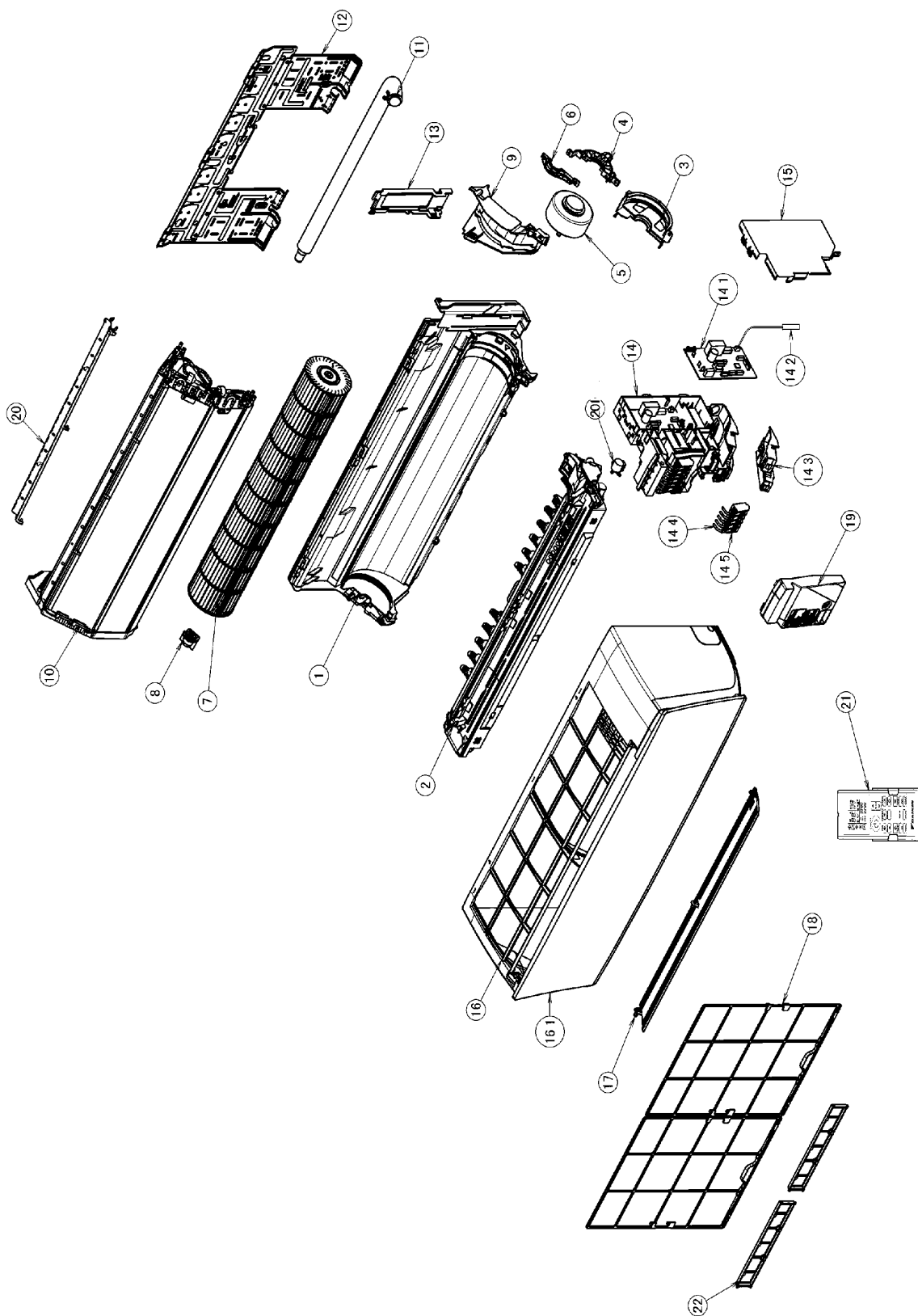
4023393	AIR SWING MOTOR (M3, M4, M7, M8, M11, M14, M15)
4023374	AIR SWING MOTOR (M1, M2, M5, M6, M9, M10, M12, M13)
2550452	CONTROL MODULE (M8)
2549240	CONTROL MODULE (M1)
2549241	CONTROL MODULE (M5, M9, M12)
2551254	CONTROL MODULE (M3, M7, M11, M14)
2550453	CONTROL MODULE (M4, M15)
2549245	CONTROL MODULE (M2)
2549246	CONTROL MODULE (M6, M10, M13)
2549237	DC FAN MOTOR (M1, M2, M5, M6, M9, M10, M12, M13)
2550444	DC FAN MOTOR (M3, M4, M7, M8, M11, M14, M15)
4026850	HEAT EXCHANGER ASSY. (M1, M5, M9, M12)
4026836	HEAT EXCHANGER ASSY. (M3, M7, M11, M14)
4026837	HEAT EXCHANGER ASSY. (M4, M8, M15)
2549249	HEAT EXCHANGER ASSY. (M2, M6, M10, M13)
4026843	INDOOR COIL SENSOR
2544650	PRINTED CIRCUIT BOARD ASSY. (DISPLAY) (M5, M6, M9, M10, M12, M13)
2548911	PRINTED CIRCUIT BOARD ASSY. (DISPLAY) (M1, M2, M3, M4, M7, M8, M11, M14, M15)

Expanded Model Nomenclature

- | |
|--------------------|
| M1 - FTK09BXVJU |
| M2 - FTK12BXVJU |
| M3 - FTK18BXVJU |
| M4 - FTK24BXVJU |
| M5 - FTXB09BXVJU |
| M6 - FTXB12BXVJU |
| M7 - FTXB18BXVJU |
| M8 - FTXB24BXVJU |
| M9 - FTXNG09AXVJU |
| M10 - FTXNG12AXVJU |
| M11 - FTXNG18AXVJU |
| M12 - FTX09BXVJU |
| M13 - FTX12BXVJU |
| M14 - FTX18BXVJU |
| M15 - FTX24BXVJU |

FTK FTX FTXB FTXNG[09,12][A,B]XVJU

FTXB09BXVJU / FTXNG09AXVJU / FTXB12BXVJU / FTXNG12AXVJU /
FTK09BXVJU / FTX09BXVJU / FTK12BXVJU / FTX12BXVJU



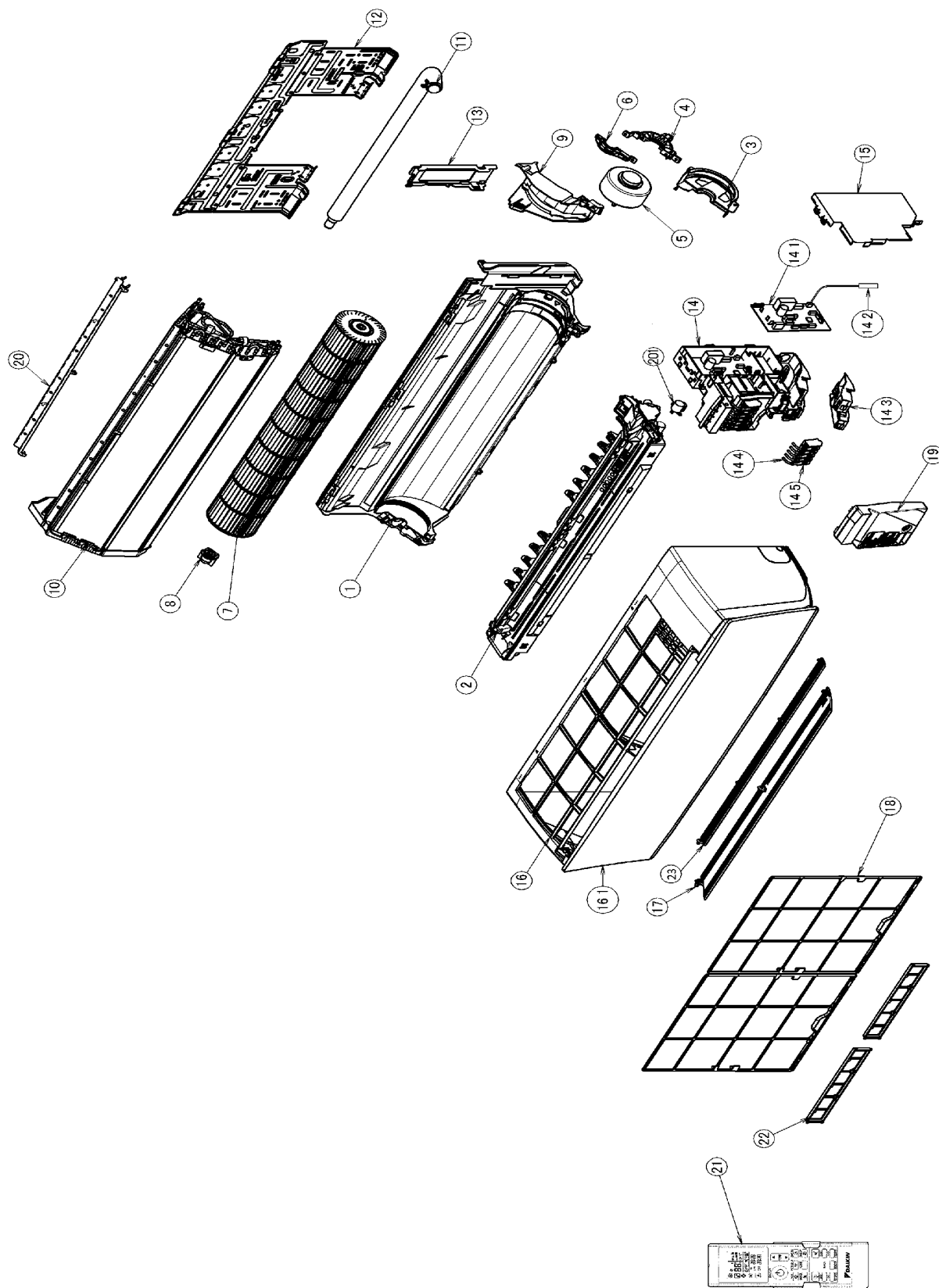
FTK FTX FTXB FTXNG[09,12][A,B]XVJU

Ref. Part No:	Ref. Part No:	Description:	Description:
Image 1:		Image 1:	
1	4023827	BOTTOM FRAME ASSY. (M1, M2, M5, M6, M9, M10, M12, M13)	143 2544650 PRINTED CIRCUIT BOARD ASSY. (DISPLAY) (M5, M6, M9, M10, M12, M13)
2	2549236	DRAIN PAN ASSY. (M1, M2, M5, M6, M9, M10, M12, M13)	143 2548911 PRINTED CIRCUIT BOARD ASSY. (DISPLAY) (M1, M2)
3	4023892	MOTOR MOUNTING PLATE 1 (M1, M2, M5, M6, M9, M10, M12, M13)	144 2549242 WIRE HARNESS ASSY. (POWER) (M1, M2, M5, M6, M9, M10, M12, M13)
4	4023893	MOTOR MOUNTING PLATE 2 (M1, M2, M5, M6, M9, M10, M12, M13)	145 2549243 TERMINAL BLOCK (M1, M2, M5, M6, M9, M10, M12, M13)
5	2549237	DC FAN MOTOR (M1, M2, M5, M6, M9, M10, M12, M13)	161 2549252 FRONT PANEL (M9, M10)
6	4023894	MOTOR MOUNTING PLATE 3 (M1, M2, M5, M6, M9, M10, M12, M13)	161 4026257 FRONT PANEL (M5, M6)
7	4025980	CROSS FLOW FAN ASSY. (M1, M2, M5, M6, M9, M10, M12, M13)	161 4026856 FRONT PANEL (M1, M2, M12, M13)
8	4023895	FAN BEARING VIBRATION ABSORBER (M1, M2, M5, M6, M9, M10, M12, M13)	201 4023374 AIR SWING MOTOR (M1, M2, M5, M6, M9, M10, M12, M13)
9	4023896	SIDE PANEL (RIGHT) (M1, M2, M5, M6, M9, M10, M12, M13)	
10	2549249	HEAT EXCHANGER ASSY. (M2, M6, M10, M13)	
10	4026850	HEAT EXCHANGER ASSY. (M1, M5, M9, M12)	
11	2532788	DRAIN HOSE (M1, M2, M5, M6, M9, M10, M12, M13)	
12	4023898	INSTALLATION PLATE ASSY. (M1, M2, M5, M6, M9, M10, M12, M13)	
13	2543199	PIPING FIXTURE (M1, M2, M5, M6, M9, M10, M12, M13)	
14	2549238	EL. COMPO. ASSY. (M1)	
14	2549239	EL. COMPO. ASSY. (M5, M9, M12)	
14	2549247	EL. COMPO. ASSY. (M2)	
14	2549248	EL. COMPO. ASSY. (M6, M10, M13)	
15	4023900	SHILED PLATE (2) (M1, M2, M5, M6, M9, M10, M12, M13)	
16	2549244	FRONT GRILLE ASSY. (M1, M2, M12, M13)	
16	2549250	FRONT GRILLE ASSY. (M5, M6, M9, M10)	
17	4023380	DISCHARGE GRILLE HORIZONTAL (M1, M2, M5, M6, M9, M10, M12, M13)	
18	4023376	AIR FILTER (SARANET) (M1, M2, M5, M6, M9, M10, M12, M13)	
19	4026846	SERVICE COVER ASSY. (M1, M2, M5, M6, M9, M10, M12, M13)	
20	2530605	SEALING PLATE (TOP) (M1, M2, M5, M6, M9, M10, M12, M13)	
21	2531835	REMOTE CONTROLLER ASSY. (M5, M6, M12, M13)	
21	2543304	REMOTE CONTROLLER ASSY. (M1, M2)	
21	2549253	REMOTE CONTROLLER ASSY. (M9, M10)	
22	4025179	AIR FILTER ASSY. TITANIUM APATITE (M1, M2, M5, M6, M9, M10, M12, M13)	
141	2549240	CONTROL MODULE (M1)	
141	2549241	CONTROL MODULE (M5, M9, M12)	
141	2549245	CONTROL MODULE (M2)	
141	2549246	CONTROL MODULE (M6, M10, M13)	
142	4026843	INDOOR COIL SENSOR (M1, M2, M5, M6, M9, M10, M12, M13)	

Expanded Model Nomenclature

M1 - FTK09BXVJU
 M2 - FTK12BXVJU
 M3 - FTK18BXVJU
 M4 - FTK24BXVJU
 M5 - FTXB09BXVJU
 M6 - FTXB12BXVJU
 M7 - FTXB18BXVJU
 M8 - FTXB24BXVJU
 M9 - FTXNG09AXVJU
 M10 - FTXNG12AXVJU
 M11 - FTXNG18AXVJU
 M12 - FTX09BXVJU
 M13 - FTX12BXVJU
 M14 - FTX18BXVJU
 M15 - FTX24BXVJU

FTXB FTK FTX18BXVJU

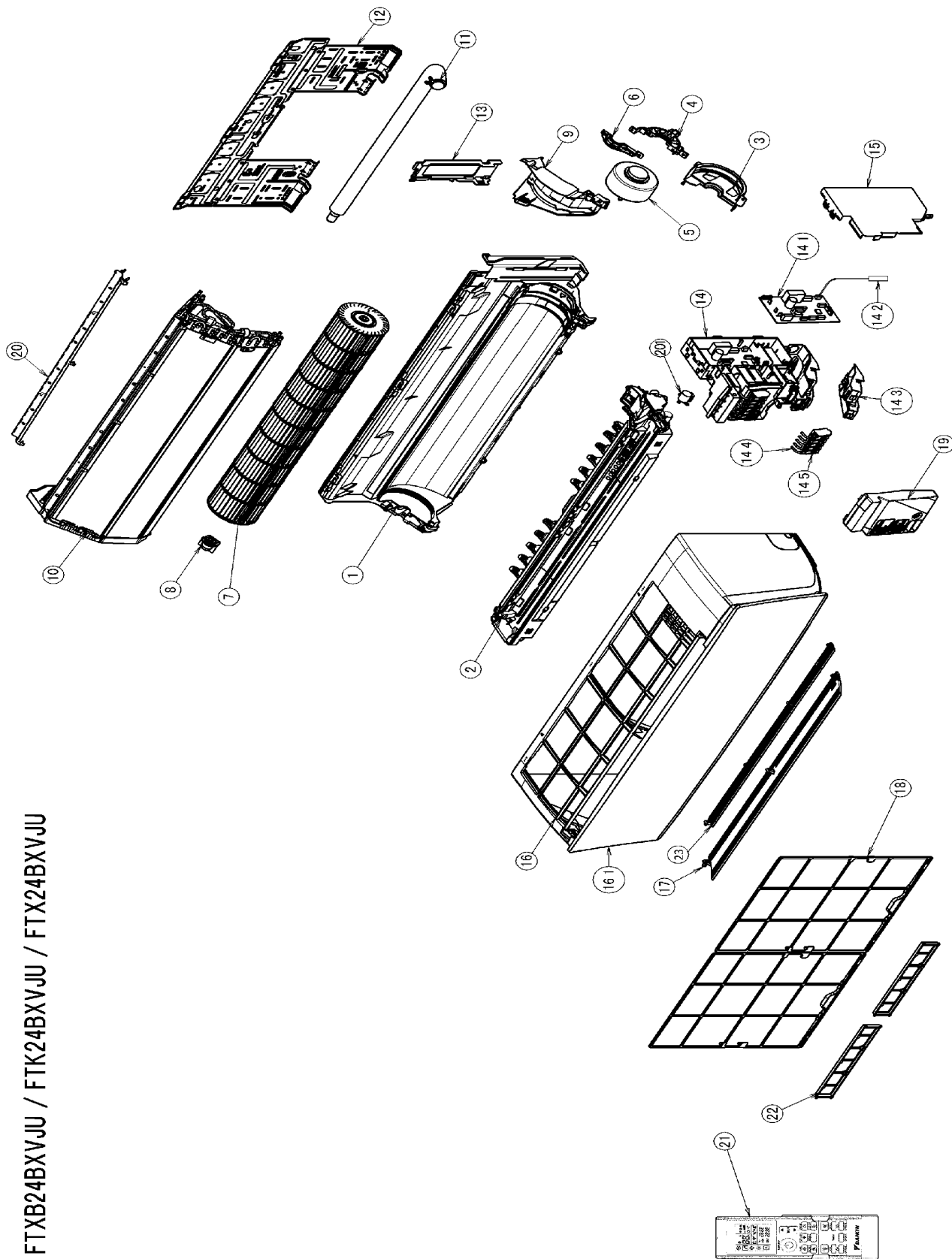


FTXB18BXVJU, FTXNG18AXVJU, FTK18BXVJU, FTX18BXVJU

FTXB FTK FTX18BXVJU

Ref. Part No:	No:	Description:	Ref. Part No:	No:	Description:
Image 1:			Expanded Model Nomenclature		
1	4026832	BOTTOM FRAME ASSY. (M3, M7, M11, M14)	M1	-	FTK09BXVJU
2	2550443	DRAIN PAN ASSY. (M3, M7, M11, M14)	M2	-	FTK12BXVJU
3	4023901	MOTOR MOUNTING PLATE 1 (M3, M7, M11, M14)	M3	-	FTK18BXVJU
4	4023893	MOTOR MOUNTING PLATE 2 (M3, M7, M11, M14)	M4	-	FTK24BXVJU
5	2550444	DC FAN MOTOR (M3, M7, M11, M14)	M5	-	FTXB09BXVJU
6	4023894	MOTOR MOUNTING PLATE 3 (M3, M7, M11, M14)	M6	-	FTXB12BXVJU
7	4025981	CROSS FLOW FAN ASSY. (M3, M7, M11, M14)	M7	-	FTXB18BXVJU
8	4023895	FAN BEARING VIBRATION ABSORBER (M3, M7, M11, M14)	M8	-	FTXB24BXVJU
9	4023903	SIDE PANEL (RIGHT) (M3, M7, M11, M14)	M9	-	FTXNG09AXVJU
10	4026836	HEAT EXCHANGER ASSY. (M3, M7, M11, M14)	M10	-	FTXNG12AXVJU
11	2532788	DRAIN HOSE (M3, M7, M11, M14)	M11	-	FTXNG18AXVJU
12	4023904	INSTALLATION PLATE ASSY. (M3, M7, M11, M14)	M12	-	FTX09BXVJU
13	4023905	PIPING FIXTURE (M3, M7, M11, M14)	M13	-	FTX12BXVJU
14	2550445	EL. COMPO. ASSY. (M3, M14)	M14	-	FTX18BXVJU
14	2551782	EL. COMPO. ASSY. (M7, M11)	M15	-	FTX24BXVJU
15	4023906	SHILED PLATE (2) (M3, M7, M11, M14)			
16	2550447	FRONT GRILLE ASSY. (M7)			
16	2550448	FRONT GRILLE ASSY. (M11)			
16	4026844	FRONT GRILLE ASSY. (M3, M14)			
17	4023398	DISCH. GRILLE HOR. BLADE (1) ASSY. (M3, M7, M11, M14)			
18	4023394	AIR FILTER (M3, M7, M11, M14)			
19	4026846	SERVICE COVER ASSY. (M3, M7, M11, M14)			
20	2530606	SEALING PLATE (TOP) (M3, M7, M11, M14)			
21	2531835	REMOTE CONTROLLER ASSY. (M7, M14)			
21	2543304	REMOTE CONTROLLER ASSY. (M3)			
21	2549253	REMOTE CONTROLLER ASSY. (M11)			
22	4025179	AIR FILTER ASSY. TITANIUM APATITE (M3, M7, M11, M14)			
23	4023399	DISCH. GRILLE HOR. BLADE (2) ASSY. (M3, M7, M11, M14)			
141	2551254	CONTROL MODULE (M3, M7, M11, M14)			
142	4026843	INDOOR COIL SENSOR (M3, M7, M11, M14)			
143	2548911	PRINTED CIRCUIT BOARD ASSY. (DISPLAY) (M3, M7, M11, M14)			
144	2549242	WIRE HARNESS ASSY. (POWER) (M3, M7, M11, M14)			
145	2549243	TERMINAL BLOCK (M3, M7, M11, M14)			
161	2550449	FRONT PANEL (M11)			
161	4026233	FRONT PANEL (M7)			
161	4026845	FRONT PANEL (M3, M14)			
201	4023393	AIR SWING MOTOR (M3, M7, M11, M14)			

FTXB FTK FTX24BXVJU



FTXB24BXVJU / FTK24BXVJU / FTX24BXVJU

FTXB FTK FTX24BXVJU

Ref. Part No:	Ref. Part No:	Description:	Description:
Image 1:		Expanded Model Nomenclature	
1	4026832	BOTTOM FRAME ASSY. (M4, M8, M15)	M1 - FTK09BXVJU
2	2550443	DRAIN PAN ASSY. (M4, M8, M15)	M2 - FTK12BXVJU
3	4023901	MOTOR MOUNTING PLATE 1 (M4, M8, M15)	M3 - FTK18BXVJU
4	4023893	MOTOR MOUNTING PLATE 2 (M4, M8, M15)	M4 - FTK24BXVJU
5	2550444	DC FAN MOTOR (M4, M8, M15)	M5 - FTXB09BXVJU
6	4023894	MOTOR MOUNTING PLATE 3 (M4, M8, M15)	M6 - FTXB12BXVJU
7	4025981	CROSS FLOW FAN ASSY. (M4, M8, M15)	M7 - FTXB18BXVJU
8	4023895	FAN BEARING VIBRATION ABSORBER (M4, M8, M15)	M8 - FTXB24BXVJU
9	4023903	SIDE PANEL (RIGHT) (M4, M8, M15)	M9 - FTXNG09AXVJU
10	4026837	HEAT EXCHANGER ASSY. (M4, M8, M15)	M10 - FTXNG12AXVJU
11	2532788	DRAIN HOSE (M4, M8, M15)	M11 - FTXNG18AXVJU
12	4023904	INSTALLATION PLATE ASSY. (M4, M8, M15)	M12 - FTX09BXVJU
13	4023905	PIPING FIXTURE (M4, M8, M15)	M13 - FTX12BXVJU
14	2550450	EL. COMPO. ASSY. (M8)	M14 - FTX18BXVJU
14	2550451	EL. COMPO. ASSY. (M4, M15)	M15 - FTX24BXVJU
15	4023906	SHILED PLATE (2) (M4, M8, M15)	
16	2550447	FRONT GRILLE ASSY. (M8)	
16	4026844	FRONT GRILLE ASSY. (M4, M15)	
17	4023398	DISCH. GRILLE HOR. BLADE (1) ASSY. (M4, M8, M15)	
18	4023394	AIR FILTER (M4, M8, M15)	
19	4026846	SERVICE COVER ASSY. (M4, M8, M15)	
20	2530606	SEALING PLATE (TOP) (M4, M8, M15)	
21	2531835	REMOTE CONTROLLER ASSY. (M8, M15)	
21	2543304	REMOTE CONTROLLER ASSY. (M4)	
22	4025179	AIR FILTER ASSY. TITANIUM APATITE (M4, M8, M15)	
23	4023399	DISCH. GRILLE HOR. BLADE (2) ASSY. (M4, M8, M15)	
141	2550452	CONTROL MODULE (M8)	
141	2550453	CONTROL MODULE (M4, M15)	
142	4026843	INDOOR COIL SENSOR (M4, M8, M15)	
143	2548911	PRINTED CIRCUIT BOARD ASSY. (DISPLAY) (M4, M8, M15)	
144	2549242	WIRE HARNESS ASSY. (POWER) (M4, M8, M15)	
145	2549243	TERMINAL BLOCK (M4, M8, M15)	
161	4026233	FRONT PANEL (M8)	
161	4026845	FRONT PANEL (M4, M15)	
201	4023393	AIR SWING MOTOR (M4, M8, M15)	