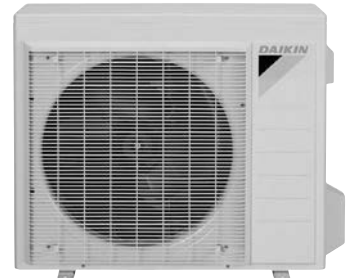
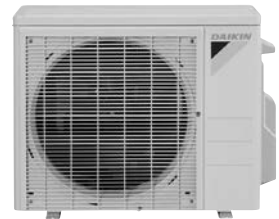
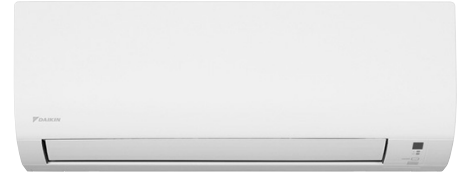


FTX**NMVJUA RX**RMVJU9A RXL**QMVJU*A Indoor/Outdoor Heat Pumps

FTX09NMVJUA
FTX12NMVJUA
FTX15NMVJUA
RX09RMVJU9A
RX12RMVJU9A
RXL09QMVJUA
RXL12QMVJU9A



This manual is to be used by qualified technicians only.

This manual replaces RP-D6371

© 2021 - 2022 **DAIKIN COMFORT TECHNOLOGIES MANUFACTURING, L.P.** ♦ 5151 San Felipe St, Suite 500 ♦ Houston, TX 77056

RP-D6371A

www.daikincomfort.com

October 2022

Important Information

Index

Functional Parts List	3
Illustration and Parts	4 - 13

Views shown are for parts illustrations only, not servicing procedures.

Text Codes:

AR - As Required

NA - Not Available

NS - Not Shown

00000000 - See Note

QTY - Quantity Example (QTY 3) (If Quantity not shown, Quantity = 1)

M - Model Example (M1) (If M Code not shown, then part is used on all Models)

Expanded Model Nomenclature:

Example M1 - Model#1 M2 - Model#2 M3 - Model#3

Daikin Comfort Technologies Manufacturing , L.P. is not responsible for personal injury or property damage resulting from improper service. Review all service information before beginning repairs.

Warranty service must be performed by an authorized technician, using authorized factory parts. If service is required after the warranty expires, Daikin Comfort Technologies Manufacturing , L.P. also recommends contacting an authorized technician and using authorized factory parts.

Daikin Comfort Technologies Manufacturing , L.P. reserves the right to discontinue, or change at any time, specifications or designs without notice or without incurring obligations.

For assistance within the U.S.A. contact:
Homeowner Support
Daikin Comfort Technologies Manufacturing , L.P.
19001 Kermier Road
Waller, Texas 77484
855-770-5678-Telephone
713-863-2382-Facsimile

For assistance outside the U.S.A. contact:
International Division
Daikin Comfort Technologies Manufacturing , L.P.
19001 Kermier Road
Waller, Texas 77484
713-861-2500-Telephone
713-863-2382-Facsimile

Functional Parts

Part

No: Description:

4025757	COMPRESSOR (M5)
6024928	COMPRESSOR ASSY. (M4, M6, M7)
6024932	DC FAN MOTOR (M4, M5, M6, M7)
153875J	FUSE (M1, M2, M3, M4, M6, M7)
2267032	GAS STOP VALVE ASSY (SUB) (M4, M5, M6, M7)
2534983	HIGH PRESSURE SWITCH (M4, M5, M6, M7)
622423J	OVERLOAD PROTECTOR (M4, M5)
622418J	OVERLOAD PROTECTOR (M6, M7)
2540562	PRINTED CIRCUIT BOARD ASSY. (M1)
2540563	PRINTED CIRCUIT BOARD ASSY. (M2)
2540568	PRINTED CIRCUIT BOARD ASSY. (M6)
2540587	PRINTED CIRCUIT BOARD ASSY. (M7)
2540630	PRINTED CIRCUIT BOARD ASSY. (M5)
2540611	PRINTED CIRCUIT BOARD ASSY. (M4)
7900094	PRINTED CIRCUIT BOARD ASSY. (DISPLAY) (M1, M2, M3)
6023975	REACTOR (M4, M6, M7)
4025673	STEPPING MOTOR (M1, M2)
4026687	THERMISTOR (FOR HEAT EXCH.) (M1, M2)
2540571	THERMISTOR ASSY. (M4, M5, M6, M7)

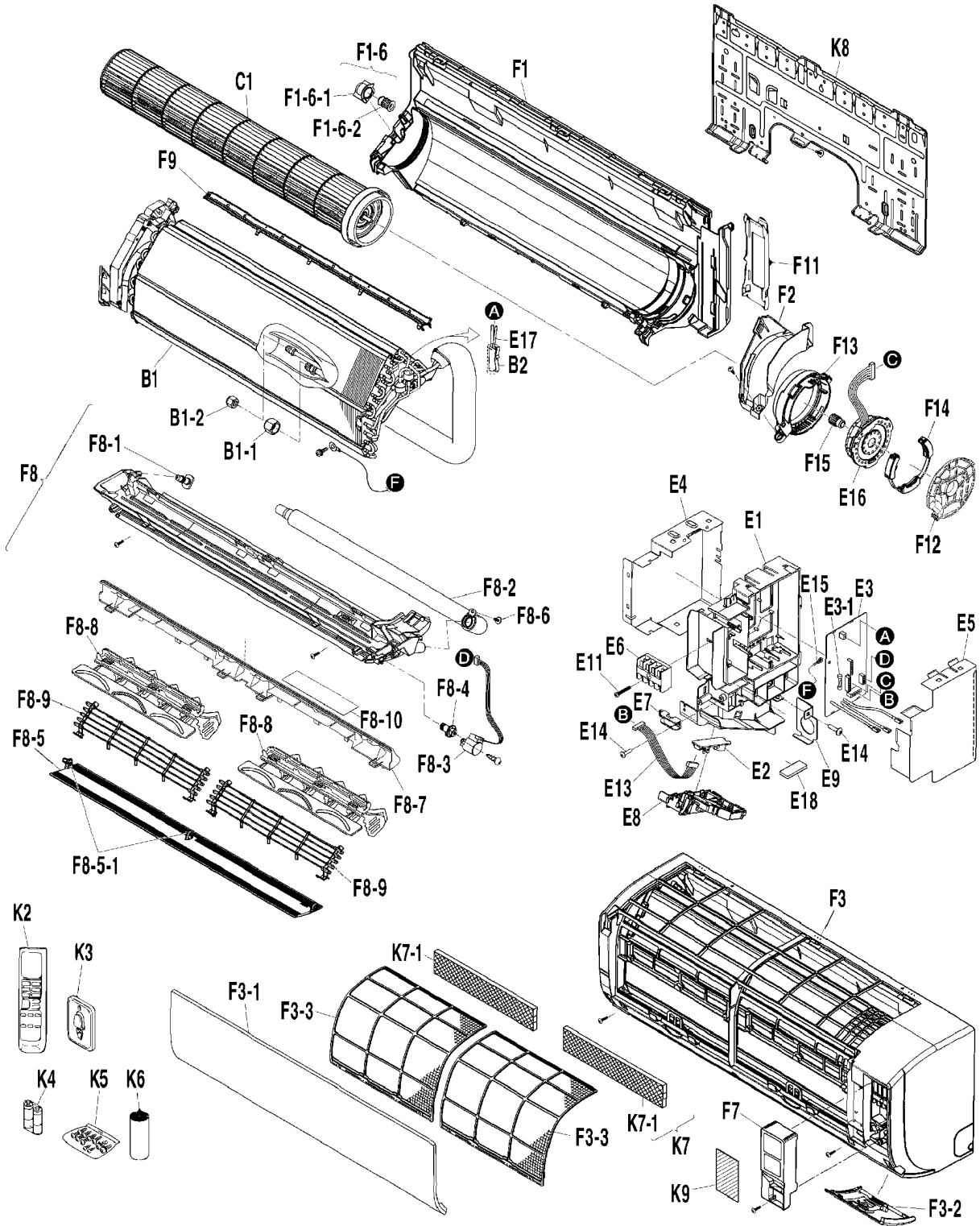
Expanded Model Nomenclature

M1 - FTX09NMVJUA
M2 - FTX12NMVJUA
M3 - FTX15NMVJUA
M4 - RXL09QMVJUA
M5 - RXL12QMVJU9A
M6 - RX09RMVJU9A
M7 - RX12RMVJU9A

FTX09NMVJUA / FTX12NMVJUA

FTX09NMVJUA / FTX12NMVJUA

—TOP—



Picture Key	
Ref #	Picture #
1	B1
2	B1-1
3	B1-2
4	B2
5	C1
6	E1
7	E11
8	E13
9	E14
10	E15
11	E16
12	E17
13	E18
14	E2
15	E3
16	E3-1
17	E4
18	E5
19	E6
20	E7
21	E8
22	E9
23	F1
24	F11
25	F12
26	F13
27	F14
28	F15
29	F16
30	F1-6-1
31	F1-6-2
32	F2
33	F3
34	F3-1
35	F3-2
36	F3-3
37	F7
38	F8
39	F8-1
40	F8-10
41	F8-2
42	F8-3
43	F8-4
44	F8-5
45	F8-5-1
46	F8-6
47	F8-7
48	F8-8
49	F8-9
50	F9
51	K2
52	K3
53	K4
54	K5
55	K6
56	K7
57	K7-1
58	K8
59	K9

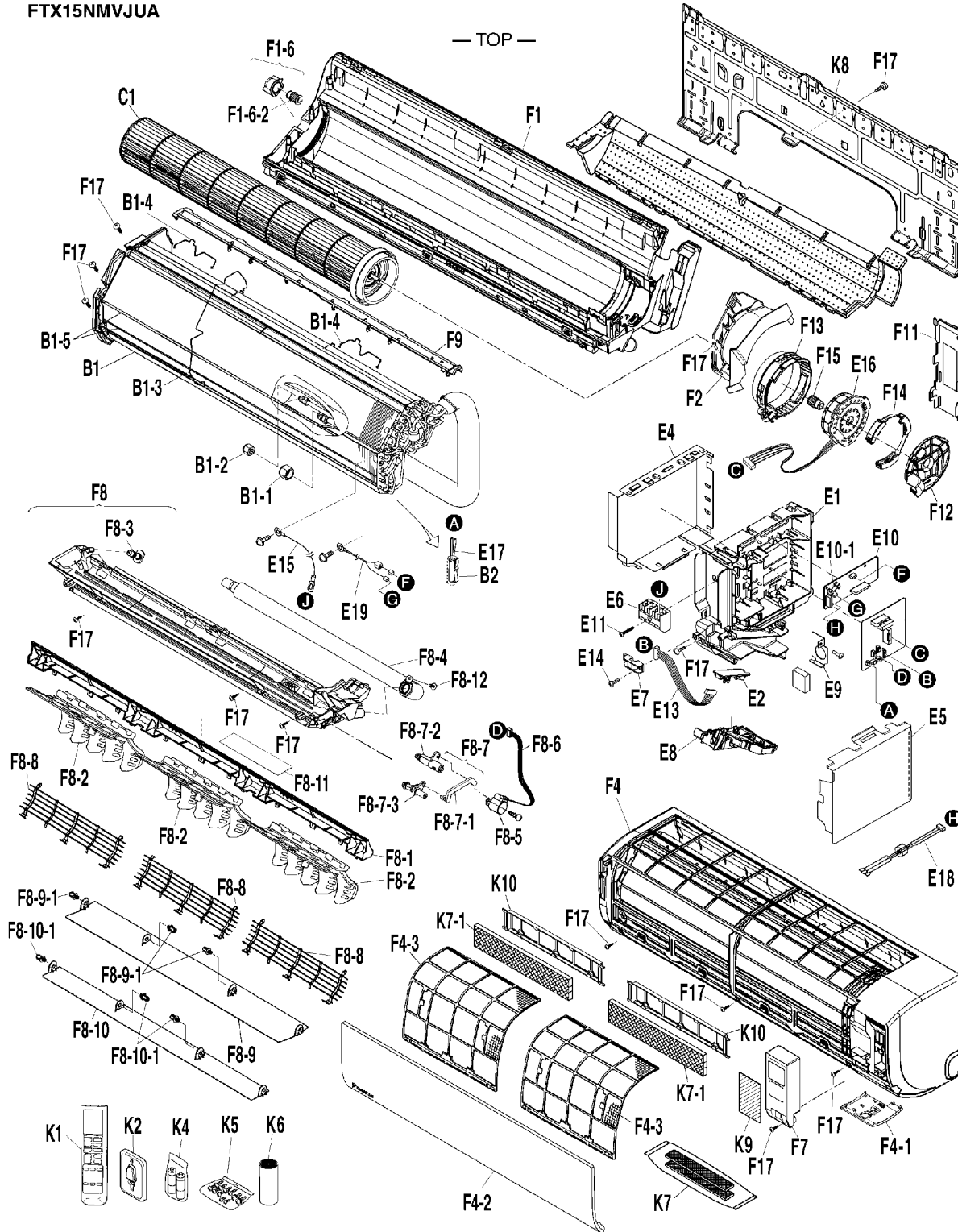
FTX09NMVJUA / FTX12NMVJUA

Ref. Part No:	Ref. Part No:	Description:	Description:
Image 1:		Image 1:	
1	2540553	HEAT EXCHANGER ASSY. (M1)	54 4020169 SCREW SET (M1, M2)
1	2540561	HEAT EXCHANGER ASSY. (M2)	55 081957J HEAT INSULATION TAPE (M1, M2)
2	119848J	FLARE NUT (M1, M2)	56 4017130 PHOTOCATALYST FILTER ASSY. (M1, M2)
3	1723546	FLARE NUT (M1, M2)	57 1840489 PHOTOCATALYTIC AIR-PURIFYING FILTER (M1, M2)
4	380120J	FITTING SPRING/ THERMISTOR (M1, M2)	58 7900111 INSTALLATION PLATE (M1, M2)
5	4023347	CROSS FLOW FAN ASSY. (M1, M2)	59 NA CAUTION LABEL (ELECTRIC SHOCK) (M1, M2)
6	4015975	SWITCH BOX (M1, M2)	
7	174888J	PAN HEAD TAPPING SCREW (M1, M2)	Expanded Model Nomenclature
8	2218720	WIRE HARNESS (INDICATION LAMP) (M1, M2)	M1 - FTX09NMVJUA
9	121650J	TRUSS HEAD TAPPING SCREW (M1, M2)	M2 - FTX12NMVJUA
10	7900097	EARTH WIRE (M1, M2)	M3 - FTX15NMVJUA
11	2541742	FAN MOTOR STATOR ASSY. (M1, M2)	M4 - RXL09QMVJUA
12	4026687	THERMISTOR (FOR HEAT EXCH.) (M1, M2)	M5 - RXL12QMVJU9A
13	NA	THERMAL INSULATION (M1, M2)	M6 - RX09RMVJU9A
14	7900094	PRINTED CIRCUIT BOARD ASSY. (DISPLAY) (M1, M2)	M7 - RX12RMVJU9A
15	2540562	PRINTED CIRCUIT BOARD ASSY. (M1)	
15	2540563	PRINTED CIRCUIT BOARD ASSY. (M2)	
16	153875J	FUSE (M1, M2)	
17	4015979	SHIELD PLATE (1) (M1, M2)	
18	2540559	SHIELD PLATE (2) (M1, M2)	
19	2531967	TERMINAL STRIP (M1, M2)	
20	0812847	WIRE CLAMP (M1, M2)	
21	4015981	INDICATION LAMP COVER (M1, M2)	
22	2540554	CONDUIT MOUNTING PLATE (M1, M2)	
23	2540556	BOTTOM FRAME ASSY. (M1, M2)	
24	6024489	PIPING FIXTURE (M1, M2)	
25	2371258	MOTOR COVER (CAP) (M1, M2)	
26	2371265	MOTOR COVER ASSY. (M1, M2)	
27	4023758	RUBBER GROMMET (M1, M2)	
28	146817J	FAN BEARING VIBRATION ABSORBER (M1, M2)	
29	7900101	FAN BEARING ASSY. (M1, M2)	
30	6023926	BEARING MOUNTING PLATE (M1, M2)	
31	156867J	VIBRATION ABSORBER/ FAN BEARING (M1, M2)	
32	2540560	SIDE PLATE (RIGHT) (M1, M2)	
33	2541617	FRONT GRILLE ASSY. (M1, M2)	
34	4022324	PANEL ASSY. (M1, M2)	
35	4015993	CONTROL PANEL ASSY. (M1, M2)	
36	4015994	AIR FILTER (M1, M2)	
37	7900105	SERVICE COVER ASSY. (M1, M2)	
38	2540557	DRAIN PAN ASSY. (MANUAL) (M1, M2)	
39	6028456	DRAIN PLUG (M1, M2)	
40	4024047	CAUTION LABEL (M1, M2)	
41	2539335	DRAIN HOSE (M1, M2)	
42	4025673	STEPPING MOTOR (M1, M2)	
43	4015988	SHAFT (HOR. BLADE) (M1, M2)	
44	4015989	DISCH. GRILLE HOR. BLADE ASSY. (M1, M2)	
45	1840922	ROD/ HORIZONTAL VANE (M1, M2)	
46	170429J	TAPPING SCREW (M1, M2)	
47	4016180	DRAIN PAN STABILIZER (M1, M2)	
48	4015987	DISCH. GRILLE VERT. BLADE (MANUAL) (M1, M2)	
49	4022655	FAN GUARD ASSY. (M1, M2)	
50	2540558	SEALING PLATE (TOP) (M1, M2)	
51	6025006	REMOTE CONTROLLER ASSY. (M1, M2)	
52	183432J	HOLDER/ REMOTE CONTROLLER (M1, M2)	
53	NA	BATTERY KIT (M1, M2)	

FTX15NMVJUA

FTX15NMVJUA

— TOP —



Picture Key

Ref #	Picture #
1	B1
2	B1-1
3	B1-2
4	B1-3
5	B1-4
6	B1-5
7	B2
8	C1
9	E1
10	E2
11	E3
12	E4
13	E5
14	E6
15	E7
16	E8
17	E9
18	E10
19	E10-1
20	E11
21	E13
22	E14
23	E15
24	E16
25	E17
26	E18
27	E19
28	F1
29	F1-6
30	F1-6-2
31	F2
32	F4
33	F4-1
34	F4-2
35	F4-3
36	F7
37	F8
38	F8-1
39	F8-2
40	F8-3
41	F8-4
42	F8-5
43	F8-6
44	F8-7
45	F8-7-1
46	F8-7-2
47	F8-7-3
48	F8-8
49	F8-9
50	F8-9-1
51	F8-10
52	F8-10-1
53	F8-11
54	F8-12
55	F9
56	F11
57	F12
58	F13
59	F14
60	F15
61	F17
62	K1
63	K2
64	K4
65	K5
66	K6
67	K7
68	K7-1
69	K8
70	K9
71	K10

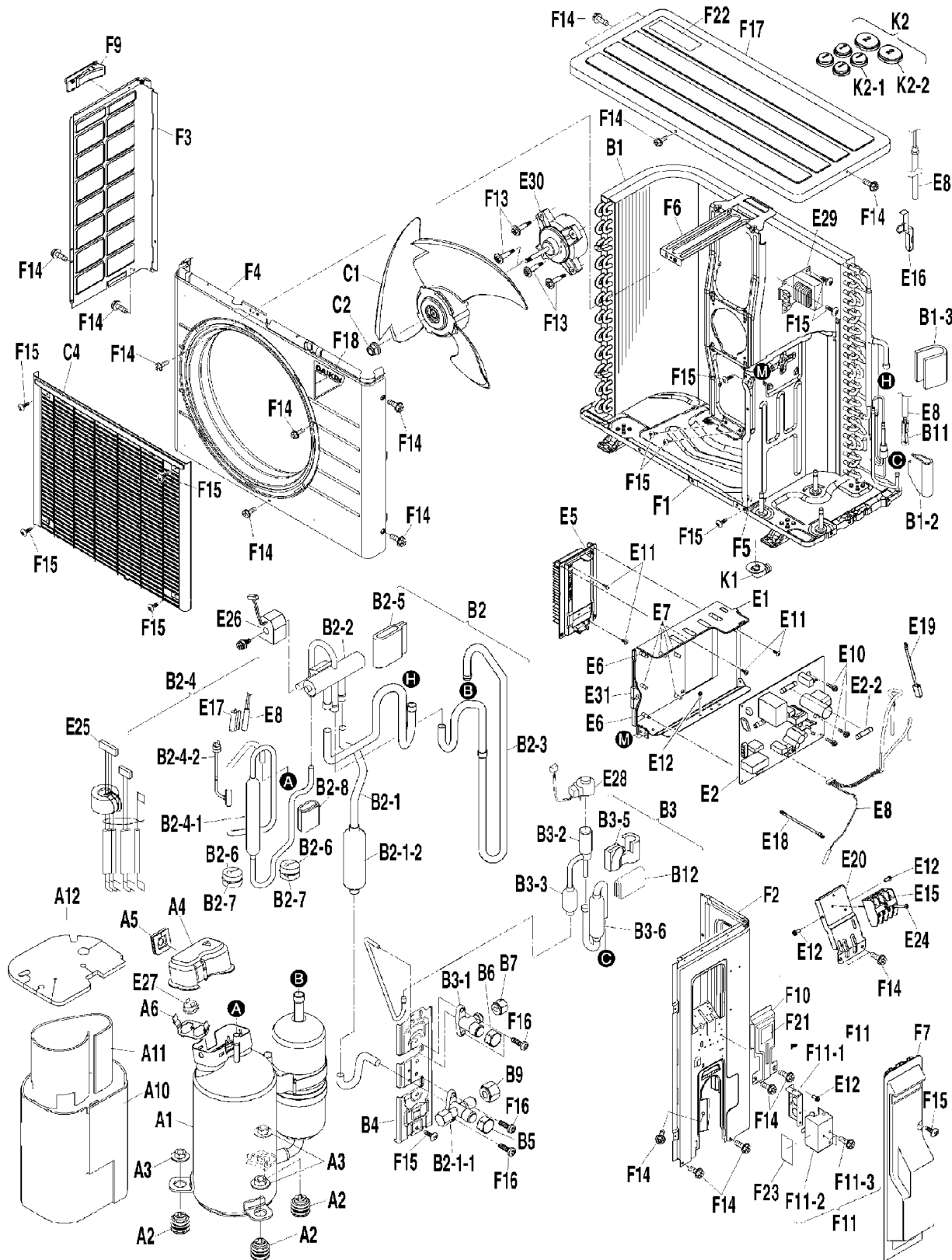
FTX15NMVJUA

Ref. Part No:	Ref. Part No:	Description:	Description:								
Image 1:		Image 1:									
1	2543741	HEAT EXCHANGER ASSY. (M3)	58	4016522	MOTOR COVER ASSY. (M3)						
2	119849J	FLARE NUT (M3)	59	4023758	RUBBER GROMMET (M3)						
3	1723546	FLARE NUT (M3)	60	146817J	FAN BEARING VIBRATION ABSORBER (M3)						
4	4016485	WIRE SPRING (M3)	61	121650J	TRUSS HEAD TAPPING SCREW (M3)						
5	7900113	WIRE SPRING (M3)	62	6025006	REMOTE CONTROLLER ASSY. (M3)						
6	4016486	SEALING PLATE (H/E BENDING) (M3)	63	183432J	HOLDER/ REMOTE CONTROLLER (M3)						
7	380120J	FITTING SPRING/ THERMISTOR (M3)	64	0292380	BATTERY KIT (M3)						
8	4023348	CROSS FLOW FAN ASSY. (M3)	65	4020169	SCREW SET (M3)						
9	4016487	SWITCH BOX (M3)	66	081957J	HEAT INSULATION TAPE (M3)						
10	7900094	PRINTED CIRCUIT BOARD ASSY. (DISPLAY) (M3)	67	4017130	PHOTOCATALYST FILTER ASSY. (M3)						
11	2544269	PRINTED CIRCUIT BOARD ASSY. (M3)	68	1840489	PHOTOCATALYTIC AIR-PURIFYING FILTER (M3)						
12	4016488	SHIELD PLATE (1) (M3)	69	4016523	INSTALLATION PLATE (M3)						
13	4016489	SHIELD PLATE (2) (M3)	70	NA	CAUTION LABEL (ELECTRIC SHOCK) (M3)						
14	2531967	TERMINAL STRIP (M3)	71	1597259	DUST COLLECTING ELEMENT FRAME (M3)						
15	0812847	WIRE CLAMP (M3)	Expanded Model Nomenclature								
16	4016490	INDICATION LAMP COVER (M3)	<table border="1"> <tr> <td>M1 - FTX09NMVJUA</td> </tr> <tr> <td>M2 - FTX12NMVJUA</td> </tr> <tr> <td>M3 - FTX15NMVJUA</td> </tr> <tr> <td>M4 - RXL09QMVJUA</td> </tr> <tr> <td>M5 - RXL12QMVJU9A</td> </tr> <tr> <td>M6 - RX09RMVJU9A</td> </tr> <tr> <td>M7 - RX12RMVJU9A</td> </tr> </table>		M1 - FTX09NMVJUA	M2 - FTX12NMVJUA	M3 - FTX15NMVJUA	M4 - RXL09QMVJUA	M5 - RXL12QMVJU9A	M6 - RX09RMVJU9A	M7 - RX12RMVJU9A
M1 - FTX09NMVJUA											
M2 - FTX12NMVJUA											
M3 - FTX15NMVJUA											
M4 - RXL09QMVJUA											
M5 - RXL12QMVJU9A											
M6 - RX09RMVJU9A											
M7 - RX12RMVJU9A											
17	2544270	CONDUIT MOUNTING PLATE (M3)									
18	6024916	PRINTED CIRCUIT BOARD ASSY. (FILTER) (M3)									
19	153875J	FUSE (M3)									
20	174888J	PAN HEAD TAPPING SCREW (M3)									
21	4016492	WIRE HARNESS (INDICATION LAMP) (M3)									
22	121650J	TRUSS HEAD TAPPING SCREW (M3)									
23	7900097	EARTH WIRE (M3)									
24	2544271	FAN MOTOR STATOR (M3)									
25	2536698	THERMISTOR ASSY. (M3)									
26	4016493	WIRE HARNESS ASSY. (POWER SOURCE) (M3)									
27	4016494	WIRE HARNESS ASSY. (FG) (M3)									
28	2544272	BOTTOM FRAME ASSY. (M3)									
29	7900101	FAN BEARING ASSY. (M3)									
30	156867J	VIBRATION ABSORBER/ FAN BEARING (M3)									
31	2395603	SIDE PANEL (RIGHT) (M3)									
32	2543743	FRONT GRILLE ASSY. (M3)									
33	4019411	CONTROL PANEL ASSY. (M3)									
34	2543744	PANEL (LOW) (M3)									
35	4016517	AIR FILTER (M3)									
36	4016518	SERVICE COVER ASSY. (M3)									
37	2543742	DRAIN PAN ASSY. (M3)									
38	4016499	DRAIN PAN STABILIZER (M3)									
39	4017170	DISCH. GRILLE VERT. BLADE (M3)									
40	6028456	DRAIN PLUG (M3)									
41	2543101	DRAIN HOSE (M3)									
42	179743J	SWING MOTOR (M3)									
43	4016502	WIRE HARNESS ASSY. (HORI. BLADE) (M3)									
44	4016503	SHAFT (LINK) ASSY. (M3)									
45	2544273	DISCH. GRILLE HOR. BLADE SUPPORT (1) (M3)									
46	1946712	LINK/ HORIZONTAL VANE (2) (M3)									
47	4008326	LINK/ HORIZONTAL VANE (3) (M3)									
48	6024984	FAN GUARD ASSY. (M3)									
49	4016511	DISCH. GRILLE HOR. BLADE (1) (M3)									
50	1840922	ROD/ HORIZONTAL VANE (M3)									
51	4016512	DISCH. GRILLE HOR. BLADE (2) (M3)									
52	1840922	ROD/ HORIZONTAL VANE (M3)									
53	4024048	CAUTION LABEL (M3)									
54	170429J	TAPPING SCREW (M3)									
55	4016519	SEALING PLATE (TOP) (M3)									
56	4016520	PIPING FIXTURE (M3)									
57	4016521	MOTOR COVER (CAP) (M3)									

RXL09QMVJUA

RXL09QMVJUA

—TOP—



Picture Key

Ref #	Picture #
1	A1
2	A10
3	A11
4	A12
5	A2
6	A3
7	A4
8	A5
9	A6
10	B1
11	B11
12	B12
13	B1-2
14	B1-3
15	B2
16	B2-1
17	B2-1-1
18	B2-1-2
19	B2-2
20	B2-3
21	B2-4
22	B2-4-1
23	B2-4-2
24	B2-5
25	B2-6
26	B2-7
27	B2-8
28	B3
29	B3-1
30	B3-2
31	B3-3
32	B3-5
33	B3-6
34	B4
35	B5
36	B6
37	B7
38	B9
39	C1
40	C2
41	C4
42	E1
43	E10
44	E11
45	E12
46	E15
47	E16
48	E17
49	E18
50	E19
51	E2
52	E20
53	E2-2
54	E24
55	E25
56	E26
57	E27
58	E28
59	E29
60	E30
61	E31
62	E5
63	E6
64	E7
65	E8
66	F1
67	F10
68	F11
69	F11-1
70	F11-2
71	F11-3
72	F13
73	F14
74	F15
75	F16
76	F17
77	F18
78	F2
79	F21
80	F22
81	F23
82	F3
83	F4
84	F5
85	F6
86	F7
87	F9
88	K1
89	K2
90	K2-1
91	K2-2

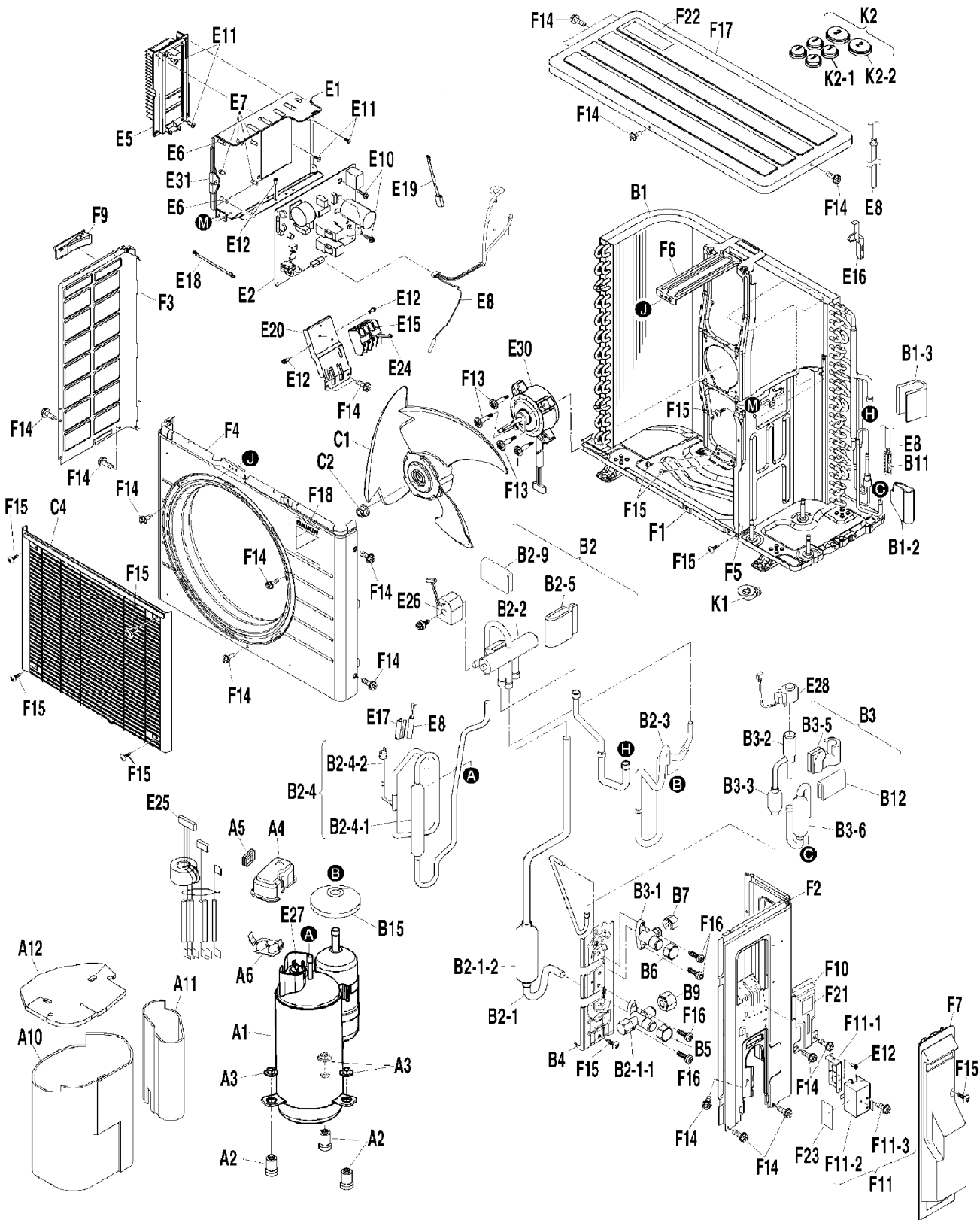
RXL09QMVJUA

Ref. Part No:	Ref. Part No:	Description:	Description:								
Image 1:		Image 1:									
1	6024928	COMPRESSOR ASSY. (M4)	58 2508074	COIL/ ELECTRONIC EXP. VALVE (M4)							
2	2540583	SOUND INSULATION (OUTSIDE TRUNK) (M4)	59 6023975	REACTOR (M4)							
3	4016525	SOUND INSULATION (INSIDE TRUNK) (M4)	60 6024932	DC FAN MOTOR (M4)							
4	2540584	SOUND INSULATION (TOP) (M4)	61 2540636	SEALING MATERIAL 4 (EL. COMPO. BOX) (M4)							
5	091532J	VIBRATION ISOLATOR (M4)	62 2540570	MOUNTING PLATE ASSY. (HEAT SINK) (M4)							
6	4010410	WASHER (NUT WITH WASHER) (M4)	63 6024341	LOCKING CARD SPACER (M4)							
7	2425597	TERMINAL COVER (M4)	64 6024342	CARD SPACER (M4)							
8	040139J	RUBBER BUSH/ LEAD WIRE (M4)	65 2540571	THERMISTOR ASSY. (M4)							
9	380620J	RETAINER/ OVERLOAD PROTECTOR (M4)	66 2540574	BOTTOM FRAME ASSY. (M4)							
10	2540610	HEAT EXCHANGER ASSY. (M4)	67 2540579	RADIATION SHIELD PLATE (M4)							
11	380120J	FITTING SPRING/ THERMISTOR (M4)	68 2540581	CONDUIT MOUNTING PLATE ASSY. (M4)							
12	1851908	PUTTY (M4)	69 2541717	CONDUIT MOUNTING PLATE (M4)							
13	6025765	PUTTY (M4)	70 2541718	COVER (CONDUIT MOUNTING PLATE) (M4)							
14	1776968	PUTTY (M4)	71 109224J	HEX HEAD TAPPING SCREW (M4)							
15	NA	FOUR WAY VALVE ASSY. (M4)	72 140380J	WASHER FACED HEAD TAPPING SCREW (M4)							
16	NA	GAS STOP VALVE ASSY. (M4)	73 109224J	HEX HEAD TAPPING SCREW (M4)							
17	2267032	GAS STOP VALVE ASSY (SUB) (M4)	74 008203J	TRUSS HEAD TAPPING SCREW (M4)							
18	140620J	MUFFLER (M4)	75 048017J	PAN HEAD TAPPING SCREW (M4)							
19	1964138	BODY/ FOUR WAY VALVE (M4)	76 2535007	TOP PLATE ASSY. (M4)							
20	NA	SUCTION PIPE ASSY. (M4)	77 1853966	BRAND NAME LABEL (M4)							
21	NA	DISCHARGE PIPE ASSY. (M4)	78 2540575	SIDE PLATE (RIGHT) (M4)							
22	117029J	MUFFLER (M4)	79 NA	CAUTION LABEL (ELECTRIC SHOCK) (M4)							
23	2534983	HIGH PRESSURE SWITCH (M4)	80 NA	CAUTION LABEL (SUPERCARGO CAUTION) (M4)							
24	1754285	PUTTY (M4)	81 NA	CAUTION LABEL (BURN) (M4)							
25	980754J	VIBRATION ABSORBER/ REF. PIPING (M4)	82 2535009	SIDE PLATE (LEFT) (M4)							
26	980761J	WEIGHT CLIP (M4)	83 2540576	FRONT PLATE (M4)							
27	2540567	PUTTY (HEAT RESISTANT) (M4)	84 4018111	PARTITION PLATE (M4)							
28	NA	ELECTRONIC EXP. VALVE ASSY. (M4)	85 2541716	FAN MOTOR STAND ASSY. (M4)							
29	2319313	STOP VALVE ASSY. (LIQUID LINE) (M4)	86 2540580	STOP VALVE COVER (M4)							
30	1980882	BODY/ ELECTRONIC EXP. VALVE (M4)	87 4015625	HANDLE (LEFT) (M4)							
31	138233J	MUFFLER (M4)	88 058956J	DRAIN JOINT (M4)							
32	138349J	PUTTY (M4)	89 NA	ACCESSORY SET (M4)							
33	2541743	FILTER ASSY. (M4)	90 2253709	CAP 1 (DRAIN) (M4)							
34	2540582	STOP VALVE MOUNTING PLATE (M4)	91 2253716	CAP 2 (DRAIN) (M4)							
35	2158703	VALVE CAP (M4)	Expanded Model Nomenclature								
36	1753314	VALVE CAP (M4)	<table border="1"> <tr> <td>M1 - FTX09NMVJUA</td> </tr> <tr> <td>M2 - FTX12NMVJUA</td> </tr> <tr> <td>M3 - FTX15NMVJUA</td> </tr> <tr> <td>M4 - RXL09QMVJUA</td> </tr> <tr> <td>M5 - RXL12QMVJU9A</td> </tr> <tr> <td>M6 - RX09RMVJU9A</td> </tr> <tr> <td>M7 - RX12RMVJU9A</td> </tr> </table>		M1 - FTX09NMVJUA	M2 - FTX12NMVJUA	M3 - FTX15NMVJUA	M4 - RXL09QMVJUA	M5 - RXL12QMVJU9A	M6 - RX09RMVJU9A	M7 - RX12RMVJU9A
M1 - FTX09NMVJUA											
M2 - FTX12NMVJUA											
M3 - FTX15NMVJUA											
M4 - RXL09QMVJUA											
M5 - RXL12QMVJU9A											
M6 - RX09RMVJU9A											
M7 - RX12RMVJU9A											
37	1723546	FLARE NUT (M4)									
38	119848J	FLARE NUT (M4)									
39	2217897	PROPELLER FAN (M4)									
40	847002J	FAN RETAINING NUT (M4)									
41	2540577	DISCHARGE GRILLE ASSY. (M4)									
42	2540569	SWITCH BOX (M4)									
43	4015929	MACHINE SCREW WITH WASHER (M4)									
44	109688J	TRUSS HEAD TAPPING SCREW (M4)									
45	113783J	TAPPING SCREW (M4)									
46	156720J	TERMINAL BLOCK (M4)									
47	128511J	FIXTURE/ THERMISTOR (M4)									
48	1728781	FIXTURE/ THERMISTOR (M4)									
49	6024945	EARTH WIRE (M4)									
50	2051477	EARTH WIRE (M4)									
51	2540611	PRINTED CIRCUIT BOARD ASSY. (M4)									
52	2540572	MOUNTING PLATE (TERMINAL STRIP) (M4)									
53	153875J	FUSE (M4)									
54	1839504	PAN HEAD TAPPING SCREW (M4)									
55	2540573	WIRE HARNESS (COMP.) (M4)									
56	6025134	COIL/ FOUR WAY VALVE ASSY. (M4)									
57	622423J	OVERLOAD PROTECTOR (M4)									

RXL12QMVJU9A

RXL12QMVJU9A

—TOP—



Picture Key

Ref #	Picture #
1	A1
2	A10
3	A11
4	A12
5	A2
6	A3
7	A4
8	A5
9	A6
10	B1
11	B11
12	B12
13	B1-2
14	B1-3
15	B15
16	B2
17	B2-1
18	B2-1-1
19	B2-1-2
20	B2-2
21	B2-3
22	B2-4
23	B2-4-1
24	B2-4-2
25	B2-5
26	B2-9
27	B3
28	B3-1
29	B3-2
30	B3-3
31	B3-5
32	B3-6
33	B4
34	B5
35	B6
36	B7
37	B9
38	C1
39	C2
40	C4
41	E1
42	E10
43	E11
44	E12
45	E15
46	E16
47	E17
48	E18
49	E19
50	E2
51	E20
52	E24
53	E25
54	E26
55	E27
56	E28
57	E30
58	E31
59	E5
60	E6
61	E7
62	E8
63	F1
64	F10
65	F11
66	F11-1
67	F11-2
68	F11-3
69	F13
70	F14
71	F15
72	F16
73	F17
74	F18
75	F2
76	F21
77	F22
78	F23
79	F3
80	F4
81	F5
82	F6
83	F7
84	F9
85	K1
86	K2
87	K2-1
88	K2-2

RX09RMVJU9A / RX12RMVJU9A

Ref. Part No: No:	Description:	Ref. Part No: No:	Description:							
Image 1:		Image 1:								
1	6024928 COMPRESSOR ASSY. (M6, M7)	57	2508074 COIL/ ELECTRONIC EXP. VALVE (M6, M7)							
2	2540583 SOUND INSULATION (OUTSIDE TRUNK) (M6, M7)	58	6023975 REACTOR (M6, M7)							
3	4016525 SOUND INSULATION (INSIDE TRUNK) (M6, M7)	59	6024932 DC FAN MOTOR (M6, M7)							
4	2540584 SOUND INSULATION (TOP) (M6, M7)	60	2540636 SEALING MATERIAL 4 (EL. COMPO. BOX) (M6, M7)							
5	091532J VIBRATION ISOLATOR (M6, M7)	61	2540570 MOUNTING PLATE ASSY. (HEAT SINK) (M6, M7)							
6	4010410 WASHER (NUT WITH WASHER) (M6, M7)	62	6024341 LOCKING CARD SPACER (M6, M7)							
7	2425597 TERMINAL COVER (M6, M7)	63	6024342 CARD SPACER (M6, M7)							
8	040139J RUBBER BUSH/ LEAD WIRE (M6, M7)	64	2540571 THERMISTOR ASSY. (M6, M7)							
9	380620J RETAINER/ OVERLOAD PROTECTOR (M6, M7)	65	2540574 BOTTOM FRAME ASSY. (M6, M7)							
10	2540566 HEAT EXCHANGER ASSY. (M6, M7)	66	2540579 RADIATION SHIELD PLATE (M6, M7)							
11	380120J FITTING SPRING/ THERMISTOR (M6, M7)	67	2540581 CONDUIT MOUNTING PLATE ASSY. (M6, M7)							
12	154401J MUFFLER (M6, M7)	68	2541717 CONDUIT MOUNTING PLATE (M6, M7)							
13	NA PUTTY (M6, M7)	69	2541718 COVER (CONDUIT MOUNTING PLATE) (M6, M7)							
14	NA FOUR WAY VALVE ASSY. (M6, M7)	70	109224J HEX HEAD TAPPING SCREW (M6, M7)							
15	NA GAS STOP VALVE ASSY. (M6, M7)	71	140380J WASHER FACED HEAD TAPPING SCREW (M6, M7)							
16	2267032 GAS STOP VALVE ASSY (SUB) (M6, M7)									
17	140620J MUFFLER (M6, M7)	72	109224J HEX HEAD TAPPING SCREW (M6, M7)							
18	1964138 BODY/ FOUR WAY VALVE (M6, M7)	73	008203J TRUSS HEAD TAPPING SCREW (M6, M7)							
19	NA SUCTION PIPE ASSY. (M6, M7)	74	048017J PAN HEAD TAPPING SCREW (M6, M7)							
20	NA DISCHARGE PIPE ASSY. (M6, M7)	75	2535007 TOP PLATE ASSY. (M6, M7)							
21	117029J MUFFLER (M6, M7)	76	1853966 BRAND NAME LABEL (M6, M7)							
22	2534983 HIGH PRESSURE SWITCH (M6, M7)	77	2540575 SIDE PLATE (RIGHT) (M6, M7)							
23	1754285 PUTTY (M6, M7)	78	NA CAUTION LABEL (ELECTRIC SHOCK) (M6, M7)							
24	980754J VIBRATION ABSORBER/ REF. PIPING (M6, M7)	79	NA CAUTION LABEL (SUPERCARGO CAUTION) (M6, M7)							
25	980761J WEIGHT CLIP (M6, M7)									
26	2540567 PUTTY (HEAT RESISTANT) (M6, M7)	80	NA CAUTION LABEL (BURN) (M6, M7)							
27	NA ELECTRONIC EXP. VALVE ASSY. (M6, M7)	81	2535009 SIDE PLATE (LEFT) (M6, M7)							
28	2319313 STOP VALVE ASSY. (LIQUID LINE) (M6, M7)	82	2540576 FRONT PLATE (M6, M7)							
29	1980882 BODY/ ELECTRONIC EXP. VALVE (M6, M7)	83	4018111 PARTITION PLATE (M6, M7)							
30	138233J MUFFLER (M6, M7)	84	2541716 FAN MOTOR STAND ASSY. (M6, M7)							
31	138349J PUTTY (M6, M7)	85	2540580 STOP VALVE COVER (M6, M7)							
32	159396J PUTTY (M6, M7)	86	4015625 HANDLE (LEFT) (M6, M7)							
33	2540582 STOP VALVE MOUNTING PLATE (M6, M7)	87	058956J DRAIN JOINT (M6, M7)							
34	2158703 VALVE CAP (M6, M7)	88	NA ACCESSORY SET (M6, M7)							
35	1753314 VALVE CAP (M6, M7)	89	2253709 CAP 1 (DRAIN) (M6, M7)							
36	1723546 FLARE NUT (M6, M7)	90	2253716 CAP 2 (DRAIN) (M6, M7)							
37	119848J FLARE NUT (M6, M7)									
38	2217897 PROPELLER FAN (M6, M7)	Expanded Model Nomenclature								
39	847002J FAN RETAINING NUT (M6, M7)	<table border="1"> <tr> <td>M1 - FTX09NMVJUA</td> </tr> <tr> <td>M2 - FTX12NMVJUA</td> </tr> <tr> <td>M3 - FTX15NMVJUA</td> </tr> <tr> <td>M4 - RXL09QMVJUA</td> </tr> <tr> <td>M5 - RXL12QMVJU9A</td> </tr> <tr> <td>M6 - RX09RMVJU9A</td> </tr> <tr> <td>M7 - RX12RMVJU9A</td> </tr> </table>		M1 - FTX09NMVJUA	M2 - FTX12NMVJUA	M3 - FTX15NMVJUA	M4 - RXL09QMVJUA	M5 - RXL12QMVJU9A	M6 - RX09RMVJU9A	M7 - RX12RMVJU9A
M1 - FTX09NMVJUA										
M2 - FTX12NMVJUA										
M3 - FTX15NMVJUA										
M4 - RXL09QMVJUA										
M5 - RXL12QMVJU9A										
M6 - RX09RMVJU9A										
M7 - RX12RMVJU9A										
40	2540577 DISCHARGE GRILLE ASSY. (M6, M7)									
41	2540569 SWITCH BOX (M6, M7)									
42	4015929 MACHINE SCREW WITH WASHER (M6, M7)									
43	109688J TRUSS HEAD TAPPING SCREW (M6, M7)									
44	113783J TAPPING SCREW (M6, M7)									
45	156720J TERMINAL BLOCK (M6, M7)									
46	128511J FIXTURE/ THERMISTOR (M6, M7)									
47	1728781 FIXTURE/ THERMISTOR (M6, M7)									
48	6024945 EARTH WIRE (M6, M7)									
49	2051477 EARTH WIRE (M6, M7)									
50	2540568 PRINTED CIRCUIT BOARD ASSY. (M6)									
50	2540587 PRINTED CIRCUIT BOARD ASSY. (M7)									
51	2540572 MOUNTING PLATE (TERMINAL STRIP) (M6, M7)									
52	153875J FUSE (M6, M7)									
53	1839504 PAN HEAD TAPPING SCREW (M6, M7)									
54	2540573 WIRE HARNESS (COMP.) (M6, M7)									
55	6025134 COIL/ FOUR WAY VALVE ASSY. (M6, M7)									
56	622418J OVERLOAD PROTECTOR (M6, M7)									