

## SkyAir FTQ\*\*TAVJU\* Air Handler

FTQ18TAVJUAAA  
FTQ18TAVJUAAB  
FTQ18TAVJUDAA  
FTQ18TAVJUDAB  
FTQ24TAVJUAAA  
FTQ24TAVJUAAB  
FTQ24TAVJUDAA  
FTQ24TAVJUDAB  
FTQ30TAVJUAAA  
FTQ30TAVJUAAB  
FTQ30TAVJUDAA  
FTQ30TAVJUDAB  
FTQ36TAVJUAAA  
FTQ36TAVJUAAB  
FTQ36TAVJUDAA  
FTQ36TAVJUDAB  
FTQ42TAVJUAAA  
FTQ42TAVJUAAB  
FTQ42TAVJUAAC  
FTQ42TAVJUDAA  
FTQ42TAVJUDAB  
FTQ42TAVJUDAC  
FTQ48TAVJUAAA  
FTQ48TAVJUAAB  
FTQ48TAVJUAAC  
FTQ48TAVJUDAA  
FTQ48TAVJUDAB  
FTQ48TAVJUDAC



This manual is to be used by qualified technicians only.

This manual replaces RP-D4336A

© 2019, 2021 - 2022 **DAIKIN MANUFACTURING COMPANY, L.P.** ♦ 5151 San Felipe St, Suite 500 ♦ Houston, TX 77056

# Important Information

---

## Index

Functional Parts List .....	3
Illustration and Parts .....	4 - 9

*Views shown are for parts illustrations only, not servicing procedures.*

### Text Codes:

AR - As Required

NA - Not Available

NS - Not Shown

00000000 - See Note

QTY - Quantity Example (QTY 3) (If Quantity not shown, Quantity = 1)

M - Model Example (M1) (If M Code not shown, then part is used on all Models)

### Expanded Model Nomenclature:

Example
M1 - Model#1
M2 - Model#2
M3 - Model#3

Daikin Manufacturing Company, L.P. is not responsible for personal injury or property damage resulting from improper service. Review all service information before beginning repairs.

Warranty service must be performed by an authorized technician, using authorized factory parts. If service is required after the warranty expires, Daikin Manufacturing Company, L.P. also recommends contacting an authorized technician and using authorized factory parts.

Daikin Manufacturing Company, L.P. reserves the right to discontinue, or change at any time, specifications or designs without notice or without incurring obligations.

For assistance within the U.S.A. contact:

Homeowner Support  
Daikin North America, LLC  
19001 Kermier Road  
Waller, Texas 77484  
855-770-5678-Telephone  
713-863-2382-Facsimile

For assistance outside the U.S.A. contact:

International Division  
Daikin North America, LLC  
19001 Kermier Road  
Waller, Texas 77484  
713-861-2500-Telephone  
713-863-2382-Facsimile

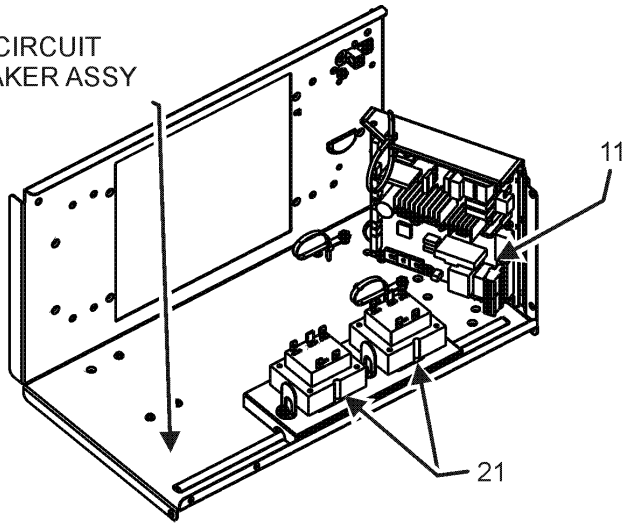
# Functional Parts

**Part No:**            **Description:**

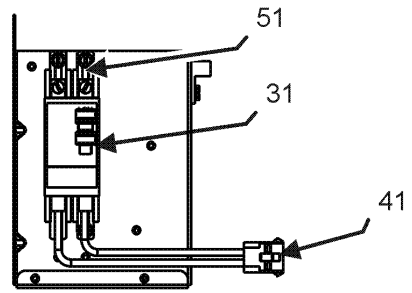
Part No:	Description:	Expanded Model Nomenclature
065339J	CAPACITY ADAPTER (M23, M24, M25, M26, M27, M28)	M1 - FTQ18TAVJUAAA
065336J	CAPACITY ADAPTER (M5, M6, M7, M8)	M2 - FTQ18TAVJUAAAB
066965J	CAPACITY ADAPTER (M9, M10, M11, M12)	M3 - FTQ18TAVJUDAA
065337J	CAPACITY ADAPTER (M13, M14, M15, M16)	M4 - FTQ18TAVJUDAB
069706J	CAPACITY ADAPTER (M17, M18, M19, M20, M21, M22)	M5 - FTQ24TAVJUAAA
064060J	CAPACITY ADAPTER (M1, M2, M3, M4)	M6 - FTQ24TAVJUAAAB
CBK2PD240VC060	CBK,2 POLE, DUAL,120/240V (M3, M4, M7, M8, M11, M12, M15, M16, M20, M21, M22, M26, M27, M28)	M7 - FTQ24TAVJUDAA
3P381420-2	EEV COIL	M8 - FTQ24TAVJUDAB
0131M00270	MOTOR, 1/2 HP, SERIAL ECM (M1, M2, M3, M4, M5, M6, M7, M8, M9, M10, M11, M12, M13, M14, M15, M16)	M9 - FTQ30TAVJUAAA
0131M01003	MOTOR, 3/4 HP (M19, M22, M25, M28)	M10 - FTQ30TAVJUAAAB
0131M00271	MOTOR, 3/4 HP, SERIAL ECM (M17, M18, M20, M21, M23, M24, M26, M27)	M11 - FTQ30TAVJUDAA
2P561243-3	PCB ASSY (M2, M4, M6, M8, M10, M12, M14, M16, M18, M19, M21, M22, M24, M25, M27, M28)	M12 - FTQ30TAVJUDAB
2P432480-3	PCB ASSY (M1, M3, M5, M7, M9, M11, M13, M15, M17, M20, M23, M26)	M13 - FTQ36TAVJUAAA
3S500051-1	PULSE MOTOR EXPANS EEV (M1, M2, M3, M4, M5, M6, M7, M8)	M14 - FTQ36TAVJUAAAB
3S500052-1	PULSE MOTOR EXPANS EEV (M9, M10, M11, M12)	M15 - FTQ36TAVJUDAA
3S500053-1	PULSE MOTOR EXPANS EEV (M13, M14, M15, M16, M17, M18, M19, M20, M21, M22)	M16 - FTQ36TAVJUDAB
3S500054-1	PULSE MOTOR EXPANS EEV (M23, M24, M25, M26, M27, M28)	M17 - FTQ42TAVJUAAA
4P419914-1	THERMISTOR ASSY	M18 - FTQ42TAVJUAAAB
0130M00330	TRANSFORMER, 208/230, 24V (QTY 2)	M19 - FTQ42TAVJUAAAC
		M20 - FTQ42TAVJUDAA
		M21 - FTQ42TAVJUDAB
		M22 - FTQ42TAVJUDAC
		M23 - FTQ48TAVJUAAA
		M24 - FTQ48TAVJUAAAB
		M25 - FTQ48TAVJUAAAC
		M26 - FTQ48TAVJUDAA
		M27 - FTQ48TAVJUDAB
		M28 - FTQ48TAVJUDAC
<b>SPECIAL PARTS</b>		
IOD-4033B	I/O MANUAL SKY AIR FTQ I/D	
IOD-4034	O/P MANUAL SKY AIR FTQ I/D	

# Wrapper and Control Box Assembly

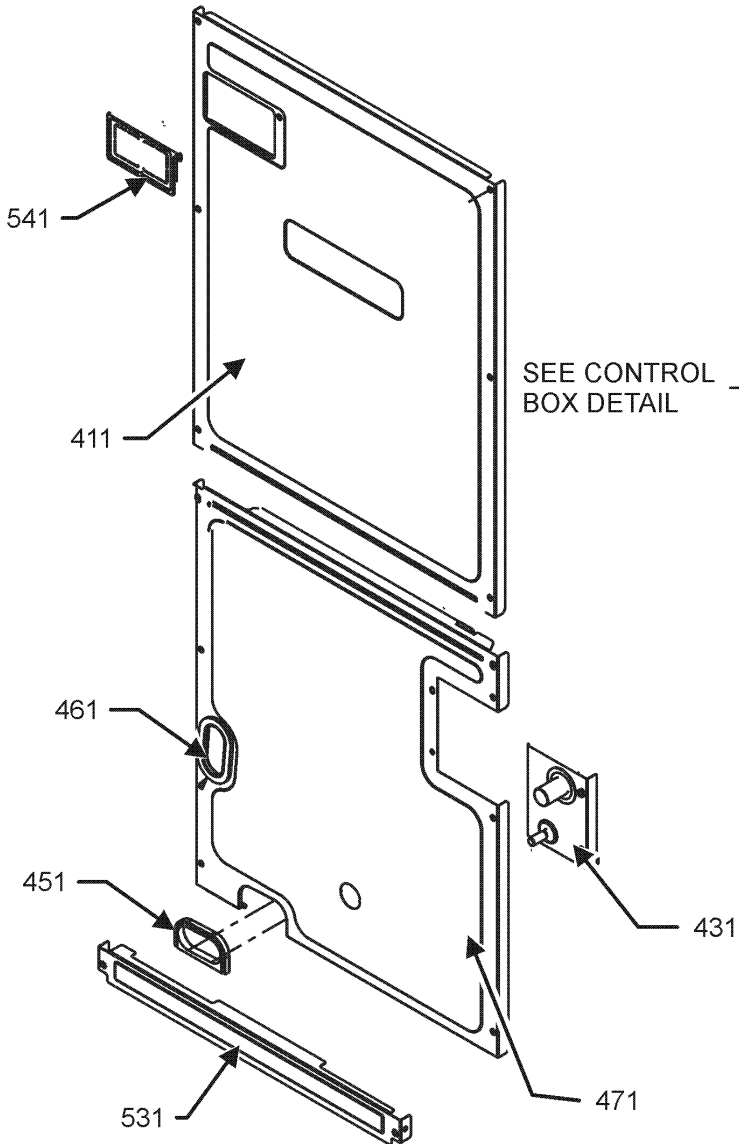
SEE CIRCUIT BREAKER ASSY



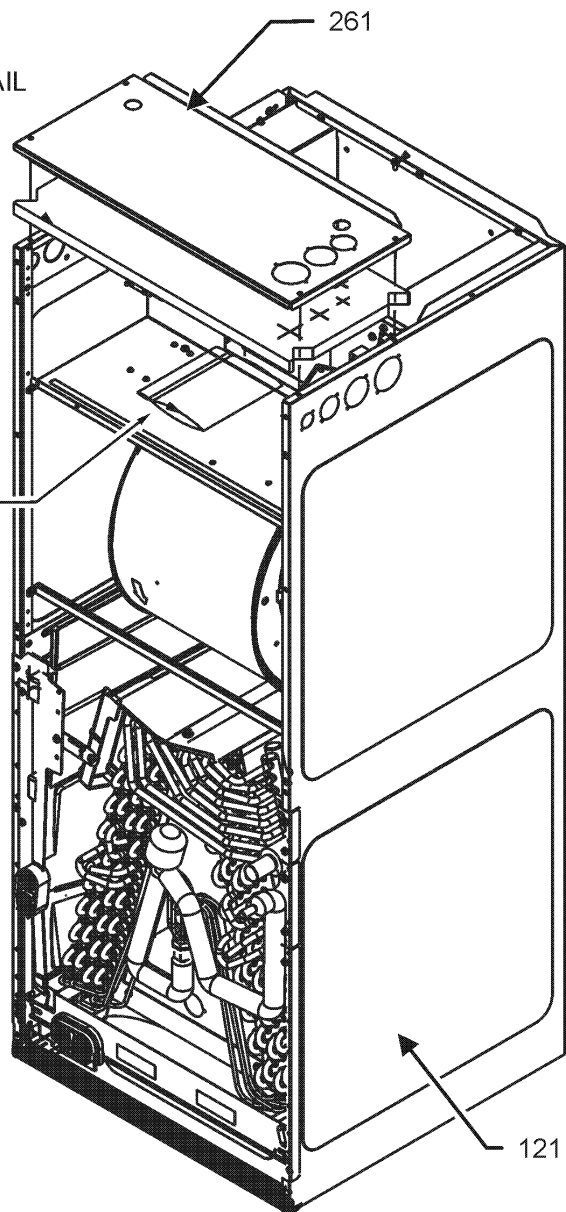
CONTROL BOX DETAIL



CIRCUIT BREAKER ASSY



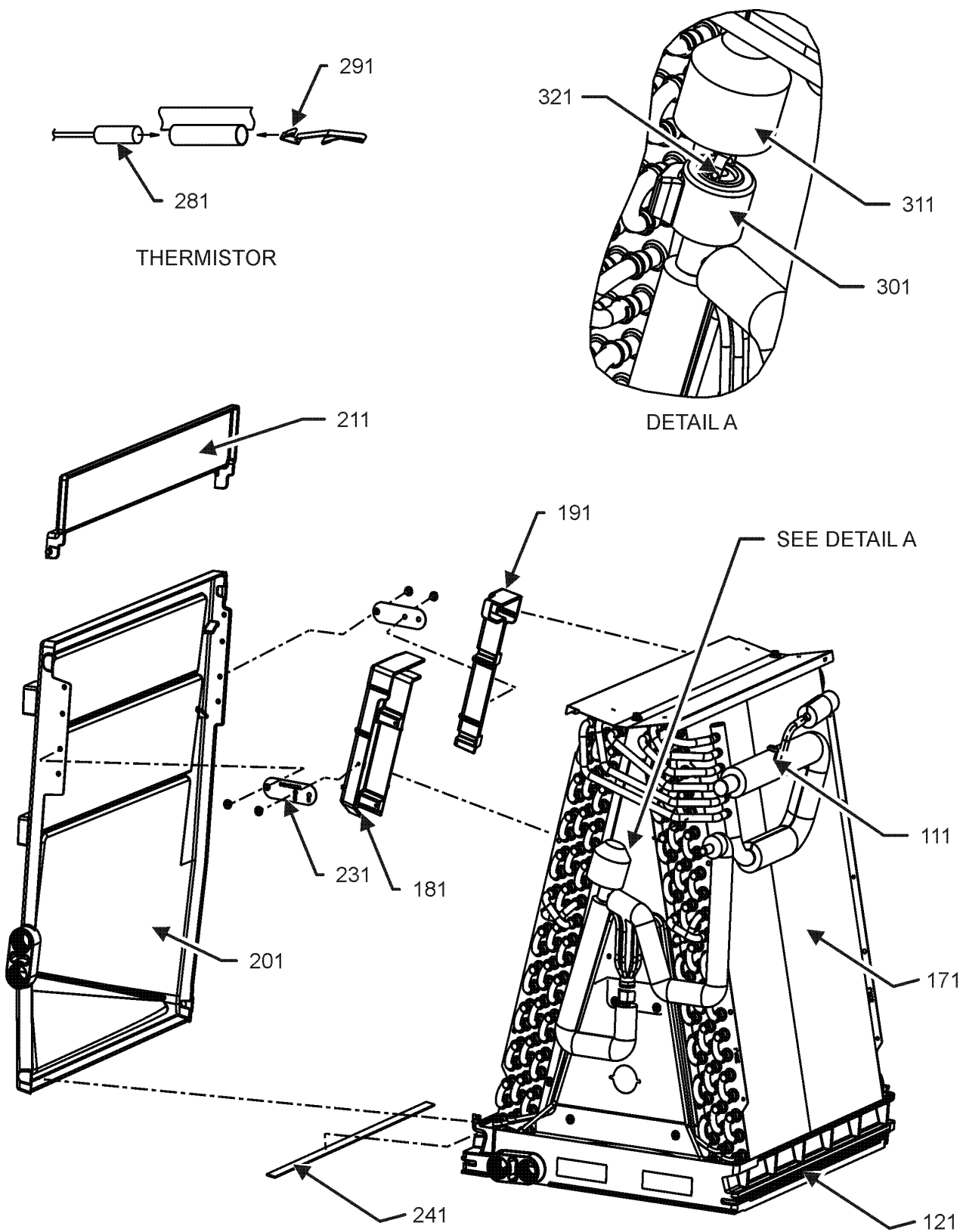
SEE CONTROL BOX DETAIL



# Wrapper and Control Box Assembly

Ref. Part No:	No:	Description:	Ref. Part No:	No:	Description:
<b>Image 1:</b>			<b>Image 1:</b>		
11	2P432480-3	PCB ASSY (M1, M3, M5, M7, M9, M11, M13, M15, M17, M20, M23, M26)	NS	0259A00021	WIRE ASSY, 9 PIN FEMALE CONN (M1, M2, M5, M6, M9, M10, M13, M14, M17, M18, M19, M23, M24, M25)
11	2P561243-3	PCB ASSY (M2, M4, M6, M8, M10, M12, M14, M16, M18, M19, M21, M22, M24, M25, M27, M28)	NS	0259A00033P	WIRE ASSY, 9 PIN FEMALE CONN
21	0130M00330	TRANSFORMER, 208/230, 24V (QTY 2)	NS	0259A00031P	WIRE HARNESS, CONNECTOR
31	CBK2PD240VC060	CBK,2 POLE, DUAL,120/240V (M3, M4, M7, M8, M11, M12, M15, M16, M20, M21, M22, M26, M27, M28)	<b>Expanded Model Nomenclature</b>		
41	0259A00033P	WIRE ASSY, 9 PIN FEMALE CONN	<div style="border: 1px solid black; padding: 5px;"> M1 - FTQ18TAVJUAAA  M2 - FTQ18TAVJUAAB  M3 - FTQ18TAVJUDAA  M4 - FTQ18TAVJUDAB  M5 - FTQ24TAVJUAAA  M6 - FTQ24TAVJUAAB  M7 - FTQ24TAVJUDAA  M8 - FTQ24TAVJUDAB  M9 - FTQ30TAVJUAAA  M10 - FTQ30TAVJUAAB  M11 - FTQ30TAVJUDAA  M12 - FTQ30TAVJUDAB  M13 - FTQ36TAVJUAAA  M14 - FTQ36TAVJUAAB  M15 - FTQ36TAVJUDAA  M16 - FTQ36TAVJUDAB  M17 - FTQ42TAVJUAAA  M18 - FTQ42TAVJUAAB  M19 - FTQ42TAVJUAAC  M20 - FTQ42TAVJUDAA  M21 - FTQ42TAVJUDAB  M22 - FTQ42TAVJUDAC  M23 - FTQ48TAVJUAAA  M24 - FTQ48TAVJUAAB  M25 - FTQ48TAVJUAAC  M26 - FTQ48TAVJUDAA  M27 - FTQ48TAVJUDAB  M28 - FTQ48TAVJUDAC </div>		
51	0121A00400	2 POLE MOUNTING BRACKET (M3, M4, M7, M8, M11, M12, M15, M16, M20, M21, M22, M26, M27, M28)			
121	0121A00456PNG	WRAPPER, PAINTED (M17, M18, M19, M20, M21, M22, M23, M24, M25, M26, M27, M28)			
121	0121A00281PNG	WRAPPER, SM, PAINTED (M1, M2, M3, M4, M5, M6, M7, M8, M9, M10, M11, M12, M13, M14, M15, M16)			
261	0121A01483PNG	PLATE, UPPER TIE (M1, M2, M3, M4, M5, M6, M7, M8, M9, M10, M11, M12, M13, M14, M15, M16)			
261	0121A01484PNG	PLATE, UPPER TIE (M17, M18, M19, M20, M21, M22, M23, M24, M25, M26, M27, M28)			
411	0121A00834PNG	PANEL, UPPER ACCESS (M17, M18, M19, M20, M21, M22, M23, M24, M25, M26, M27, M28)			
411	0121A00835PNG	PANEL, UPPER ACCESS (M1, M2, M3, M4, M5, M6, M7, M8, M9, M10, M11, M12, M13, M14, M15,			
431	0121A00658PNG	REFRIGERATION TUBING PANEL			
451	0154A00006BL	GASKET, DRAIN PAN			
461	0154A00007BL	GASKET, DRAIN PAN			
471	0121A00461PNG	LOWER ACCESS PANEL (M17, M18, M19, M20, M21, M22, M23, M24, M25, M26, M27, M28)			
471	0121A00620PNG	LOWER ACCESS PANEL (M1, M2, M3, M4, M5, M6, M7, M8, M9, M10, M11, M12, M13, M14, M15, M16)			
531	0121A00242PNG	Panel, Filter Access (M1, M2, M3, M4, M5, M6, M7, M8, M9, M10, M11, M12, M13, M14, M15, M16)			
531	0121A00243PNG	Panel, Filter Access (M17, M18, M19, M20, M21, M22, M23, M24, M25, M26, M27, M28)			
541	0161A00073	CIRCUIT BREAKER COVER			
NS	064060J	CAPACITY ADAPTER (M1, M2, M3, M4)			
NS	065336J	CAPACITY ADAPTER (M5, M6, M7, M8)			
NS	065337J	CAPACITY ADAPTER (M13, M14, M15, M16)			
NS	065339J	CAPACITY ADAPTER (M23, M24, M25, M26, M27, M28)			
NS	066965J	CAPACITY ADAPTER (M9, M10, M11, M12)			
NS	069706J	CAPACITY ADAPTER (M17, M18, M19, M20, M21, M22)			
NS	0164A00002	GROMMET			
NS	IOD-4033B	I/O MANUAL SKY AIR FTQ I/D			
NS	IOD-4034	O/P MANUAL SKY AIR FTQ I/D			
NS	M0501301	PIPE GROMMET			
NS	0163M00036	SCREW,#10X1/2,B,BZ,SLOT,SR,BLK (QTY 4)			
NS	0130A00158	TERMINAL BLOCK			
NS	0163A00026	THUMB SCREW (QTY 2)			
NS	BT1392909	WASHER; SS RETAINING (QTY 2)			

# Coil Tubing Assembly



NOTE: COIL TUBING ASSEMBLY MAY DIFFER FROM WHAT IS SHOWN

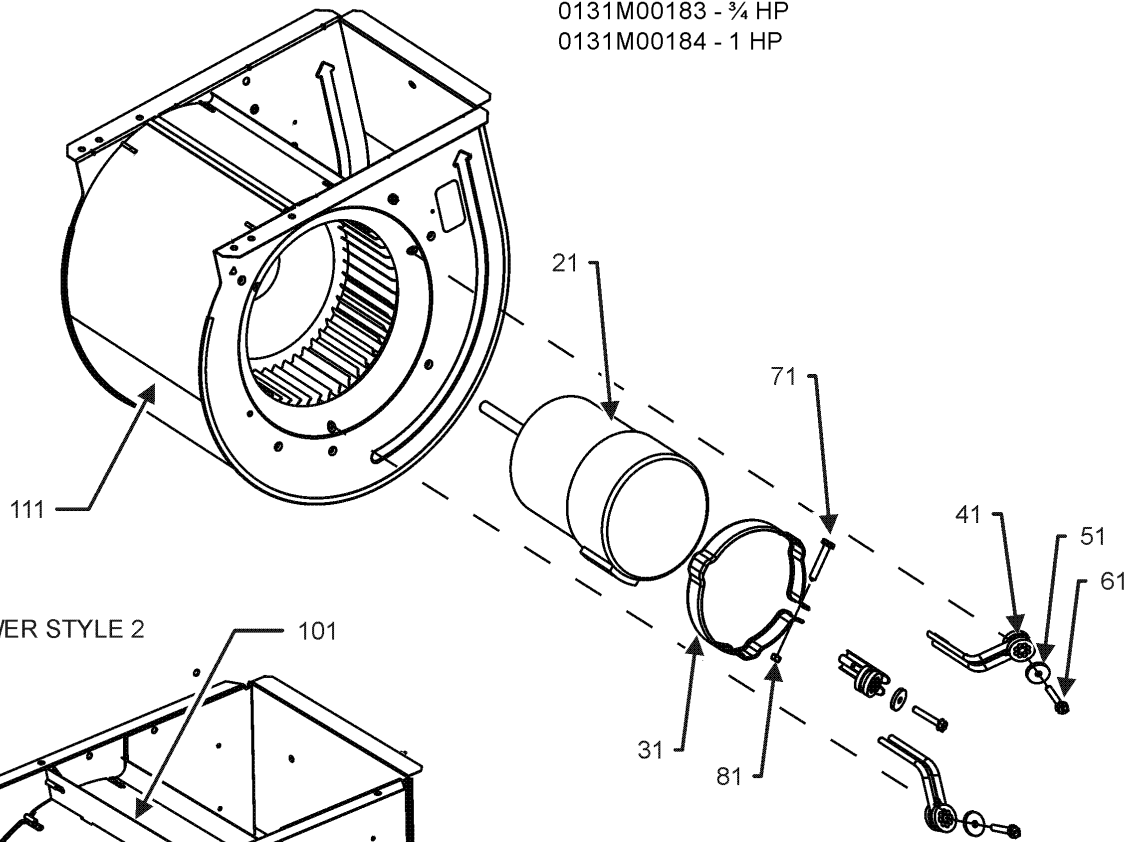
# Coil Tubing Assembly

Ref. Part No:	Description:	Ref. Part No:	Description:
<b>Image 1:</b>		<b>Expanded Model Nomenclature</b>	
111	B1787000 VALVE CORE C/CL/CU/CP	M1	- FTQ18TAVJUAAA
121	0161A00049 DRAINPAN, VERTICAL (M1, M2, M3, M4, M5, M6, M7, M8, M9, M10, M11, M12, M13, M14, M15, M16)	M2	- FTQ18TAVJUAAAB
121	0161A00052 DRAINPAN, VERTICAL (M17, M18, M19, M20, M21, M22, M23, M24, M25, M26, M27, M28)	M3	- FTQ18TAVJUDAA
171	0270A01160 COIL TUBING ASSY (M1, M2, M3, M4, M5, M6, M7, M8)	M4	- FTQ18TAVJUDAB
171	0270A01161 COIL TUBING ASSY (M9, M10, M11, M12)	M5	- FTQ24TAVJUAAA
171	0270A01162 COIL TUBING ASSY (M17, M18, M19, M20, M21, M22)	M6	- FTQ24TAVJUAAAB
171	0270A01196 COIL TUBING ASSY (M13, M14, M15, M16)	M7	- FTQ24TAVJUDAA
171	0270A01197 COIL TUBING ASSY (M23, M24, M25, M26, M27, M28)	M8	- FTQ24TAVJUDAB
181	0161A00060 CONDENSATE, COLLECT, FRONT	M9	- FTQ30TAVJUAAA
191	0161A00061 CONDENSATE, COLLECT, BACK	M10	- FTQ30TAVJUAAAB
201	0161A00053 DRAIN PAN HORIZONTAL, TALL (M17, M18, M19, M20, M21, M22, M23, M24, M25, M26, M27, M28)	M11	- FTQ30TAVJUDAA
201	0161A00055 DRAIN PAN HORIZONTAL, SMALL (M1, M2, M3, M4, M5, M6, M7, M8, M9, M10, M11, M12, M13, M14, M15, M16)	M12	- FTQ30TAVJUDAB
211	0161A00054 DRAIN PAN, EXTENSION, SMALL	M13	- FTQ36TAVJUAAA
231	0121A00357 BRACKET, DRIP SHIELD (M17, M18, M19, M20, M21, M22, M23, M24, M25, M26, M27, M28)	M14	- FTQ36TAVJUAAAB
231	0121A00633 BRACKET, DRIP SHIELD (M1, M2, M3, M4, M5, M6, M7, M8, M9, M10, M11, M12, M13, M14, M15, M16, M7, M8, M9, M10, M11, M12, M13, M14, M15, M16)	M15	- FTQ36TAVJUDAA
241	0154A00016 GASKET, PORON	M16	- FTQ36TAVJUDAB
281	4P419914-1 THERMISTOR ASSY	M17	- FTQ42TAVJUAAA
291	4PA38890-1 MOUNTING SPRING, THERMISTOR	M18	- FTQ42TAVJUAAAB
301	3P381420-2 EEV COIL	M19	- FTQ42TAVJU AAC
311	4P399446-1 WATERPROOF CAP	M20	- FTQ42TAVJUDAA
321	3S500051-1 PULSE MOTOR EXPANS EEV (M1, M2, M3, M4, M5, M6, M7, M8)	M21	- FTQ42TAVJUDAB
321	3S500052-1 PULSE MOTOR EXPANS EEV (M9, M10, M11, M12)	M22	- FTQ42TAVJUDAC
321	3S500053-1 PULSE MOTOR EXPANS EEV (M13, M14, M15, M16, M17, M18, M19, M20, M21, M22)	M23	- FTQ48TAVJUAAA
321	3S500054-1 PULSE MOTOR EXPANS EEV (M23, M24, M25, M26, M27, M28)	M24	- FTQ48TAVJUAAAB
NS	0163M00175 CAP WITH O-RING	M25	- FTQ48TAVJU AAC
NS	R3269031-7 FILTER (QTY 2)	M26	- FTQ48TAVJUDAA
NS	0259A00024 WIRE HARNESS ASSY	M27	- FTQ48TAVJUDAB
NS	0259A00025 WIRE HARNESS ASSY	M28	- FTQ48TAVJUDAC

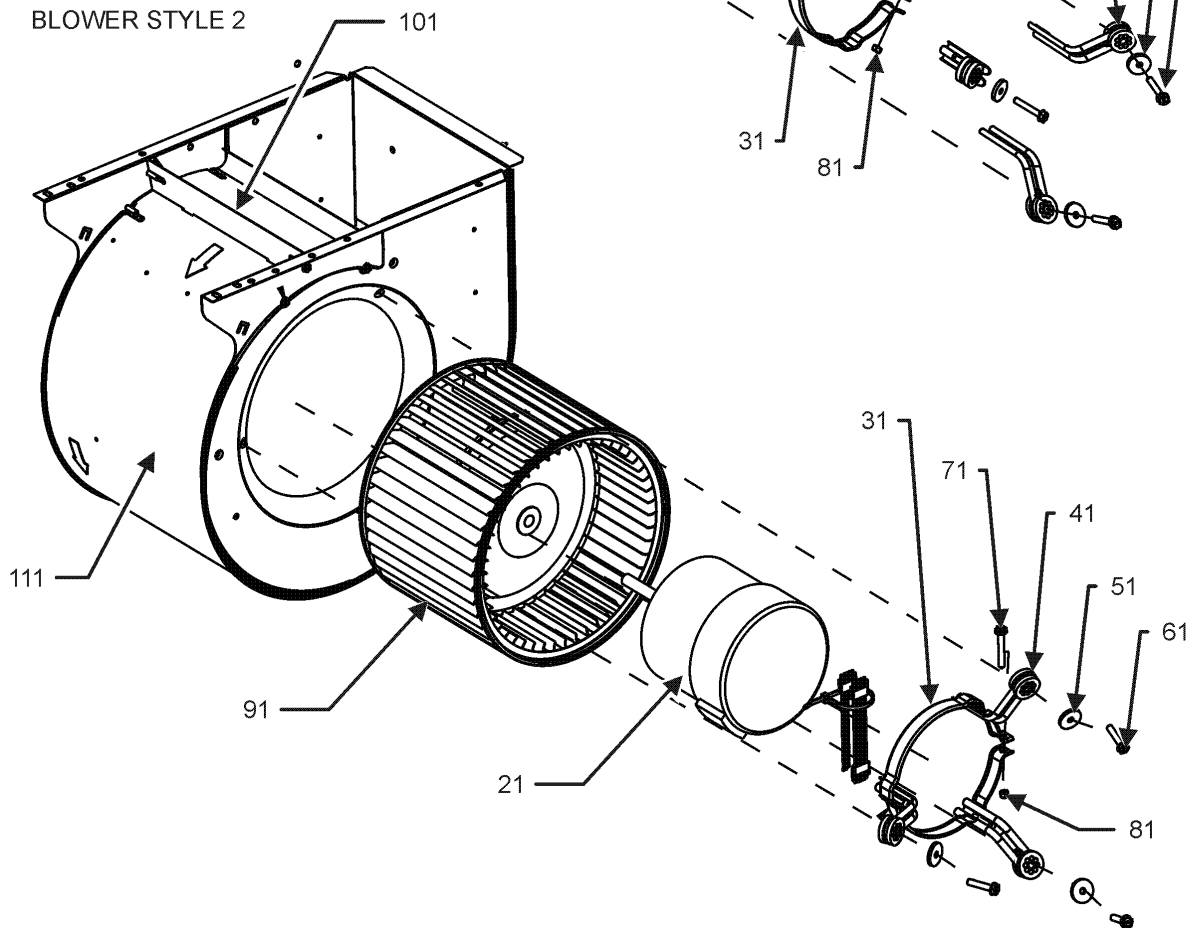
# Blower Assembly

## BLOWER STYLE 1

\*If end bells are needed please order the following:  
0131M00182 - 1/2 HP  
0131M00183 - 3/4 HP  
0131M00184 - 1 HP



## BLOWER STYLE 2



# Blower Assembly

## Ref. Part

No: No:

Description:

## Ref. Part

No: No:

Description:

### Image 1:

21	0131M00270	MOTOR, 1/2 HP, SERIAL ECM (M1, M2, M3, M4, M5, M6, M7, M8, M9, M10, M11, M12, M13, M14, M15, M16)
21	0131M01003	MOTOR, 3/4 HP (M19, M22, M25, M28)
21	0131M00271	MOTOR, 3/4 HP, SERIAL ECM (M17, M18, M20, M21, M23, M24, M26, M27)
31	0121M00038	MOTOR MOUNT BAND
41	0171M00011	MOTOR MOUNT ARM (M1, M2, M3, M4, M5, M6, M7, M8, M9, M10, M11, M12, M13, M14, M15, M16)
41	0171M00012	MOTOR MOUNT ARM (M17, M18, M19, M20, M21, M22, M23, M24, M25, M26, M27, M28)
51	B1392918	WASHER, FLAT 1/4 ID X 1 OD (QTY 3)
61	M0250565	TC SCREW 1.25" (QTY 3)
71	0163M00320	HEX HED ALL THREAD TAP BOLT
81	B1393800	LOCKNUT, NYLON, INSERT 1/4,20
91	B1368058	BLOWER WHEEL 10X8 (M17, M18, M19, M20, M21, M22, M23, M24, M25, M26, M27, M28)
101	764740	BLOWER BLOCK-OFF 10 X 8 (M17, M18, M19, M20, M21, M22, M23, M24, M25, M26, M27, M28)
111	0271A00029	BLOWER HOUSING ASSY 10 X 8 (M17, M18, M19, M20, M21, M22, M23, M24, M25, M26, M27, M28)
111	0271A00299	BLOWER SHELL ASSY 9X6, MORRISON (M1, M2, M3, M4, M5, M6, M7, M8, M9, M10, M11, M12, M13, M14, M15, M16)
NS	0259M00008	WIRE HARNESS

### Expanded Model Nomenclature

M1 - FTQ18TAVJUAAA
M2 - FTQ18TAVJUAAB
M3 - FTQ18TAVJUDAA
M4 - FTQ18TAVJUDAB
M5 - FTQ24TAVJUAAA
M6 - FTQ24TAVJUAAB
M7 - FTQ24TAVJUDAA
M8 - FTQ24TAVJUDAB
M9 - FTQ30TAVJUAAA
M10 - FTQ30TAVJUAAB
M11 - FTQ30TAVJUDAA
M12 - FTQ30TAVJUDAB
M13 - FTQ36TAVJUAAA
M14 - FTQ36TAVJUAAB
M15 - FTQ36TAVJUDAA
M16 - FTQ36TAVJUDAB
M17 - FTQ42TAVJUAAA
M18 - FTQ42TAVJUAAB
M19 - FTQ42TAVJUAAC
M20 - FTQ42TAVJUDAA
M21 - FTQ42TAVJUDAB
M22 - FTQ42TAVJUDAC
M23 - FTQ48TAVJUAAA
M24 - FTQ48TAVJUAAB
M25 - FTQ48TAVJUAAC
M26 - FTQ48TAVJUDAA
M27 - FTQ48TAVJUDAB
M28 - FTQ48TAVJUDAC