

SkyAir FTQ**TAVJU* Air Handler

FTQ18TAVJUAAC
FTQ18TAVJUDAC
FTQ24TAVJUAAC
FTQ24TAVJUDAC
FTQ30TAVJUAAC
FTQ30TAVJUDAC
FTQ36TAVJUAAC
FTQ36TAVJUDAC



This manual is to be used by qualified technicians only.

Important Information

Index

Functional Parts List	3
Illustration and Parts	4 - 9

Views shown are for parts illustrations only, not servicing procedures.

Text Codes:

AR - As Required

NA - Not Available

NS - Not Shown

00000000 - See Note

QTY - Quantity Example (QTY 3) (If Quantity not shown, Quantity = 1)

M - Model Example (M1) (If M Code not shown, then part is used on all Models)

Expanded Model Nomenclature:

Example
M1 - Model#1
M2 - Model#2
M3 - Model#3

Daikin Comfort Technologies Manufacturing , L.P. is not responsible for personal injury or property damage resulting from improper service. Review all service information before beginning repairs.

Warranty service must be performed by an authorized technician, using authorized factory parts. If service is required after the warranty expires, Daikin Comfort Technologies Manufacturing , L.P. also recommends contacting an authorized technician and using authorized factory parts.

Daikin Comfort Technologies Manufacturing , L.P. reserves the right to discontinue, or change at any time, specifications or designs without notice or without incurring obligations.

For assistance within the U.S.A. contact:
Homeowner Support
Daikin Comfort Technologies Manufacturing , L.P.
19001 Kermier Road
Waller, Texas 77484
855-770-5678-Telephone
713-863-2382-Facsimile

For assistance outside the U.S.A. contact:
International Division
Daikin Comfort Technologies Manufacturing , L.P.
19001 Kermier Road
Waller, Texas 77484
713-861-2500-Telephone
713-863-2382-Facsimile

Functional Parts

Part

No: Description:

065337J	CAPACITY ADAPTER (M7, M8)
066965J	CAPACITY ADAPTER (M5, M6)
065336J	CAPACITY ADAPTER (M3, M4)
064060J	CAPACITY ADAPTER (M1, M2)
CBK2PD240VC060	CBK, 2 POLE, DUAL, 120/240V (M2, M3, M4, M6, M7, M8)
3P381420-2	EEV COIL
0131M01002	MOTOR, 1/2 HP
2P561243-3	PCB ASSY
3S500053-1	PULSE MOTOR EXPANS EEV (M7, M8)
3S500052-1	PULSE MOTOR EXPANS EEV (M5, M6)
3S500051-1	PULSE MOTOR EXPANS EEV (M1, M2, M3, M4)
4P419914-1	THERMISTOR ASSY
0130M00138	TRANSFORMER, 208/230, 24V (QTY 2)

SPECIAL PARTS

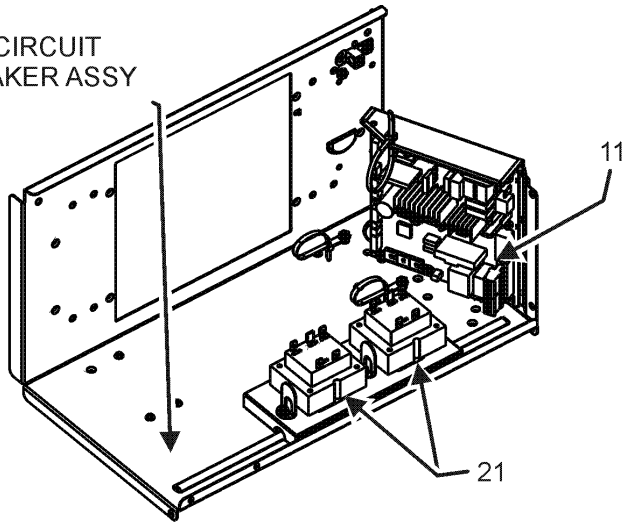
IOD-4033B	I/O MANUAL SKY AIR FTQ I/D
IOD-4034	O/P MANUAL SKY AIR FTQ I/D

Expanded Model Nomenclature

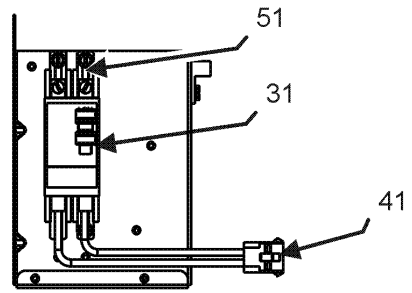
M1 - FTQ18TAVJUAAC
M2 - FTQ18TAVJUDAC
M3 - FTQ24TAVJUAAC
M4 - FTQ24TAVJUDAC
M5 - FTQ30TAVJUAAC
M6 - FTQ30TAVJUDAC
M7 - FTQ36TAVJUAAC
M8 - FTQ36TAVJUDAC

Wrapper and Control Box Assembly

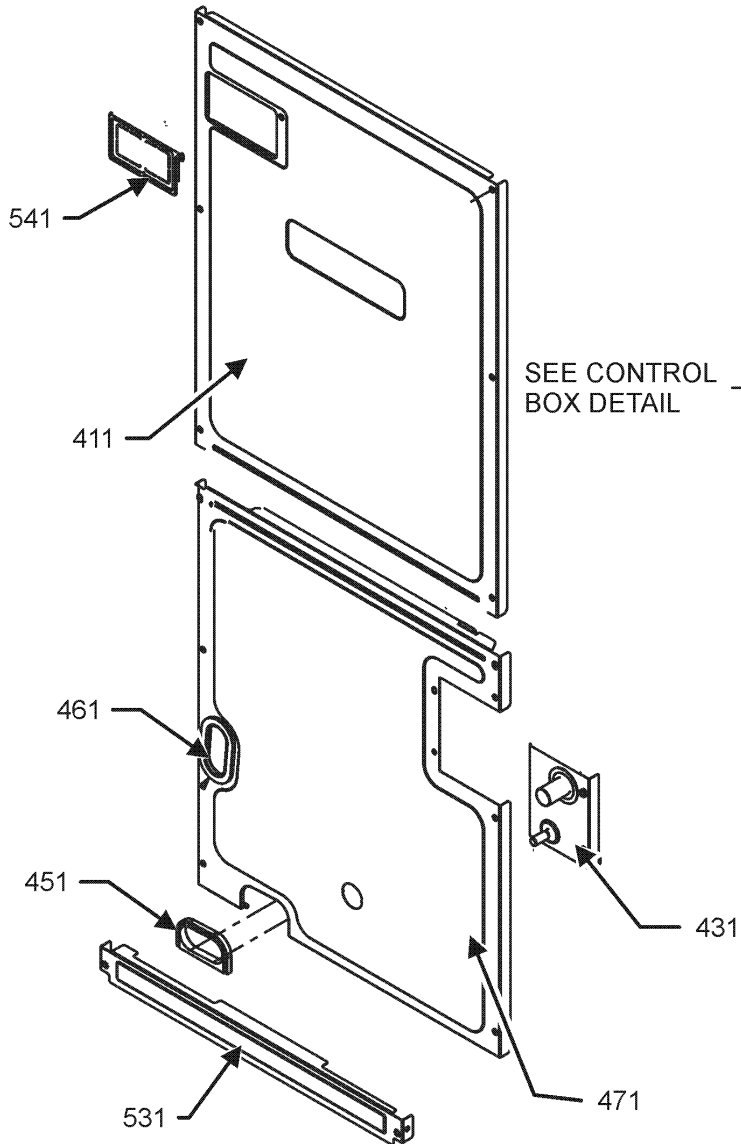
SEE CIRCUIT BREAKER ASSY



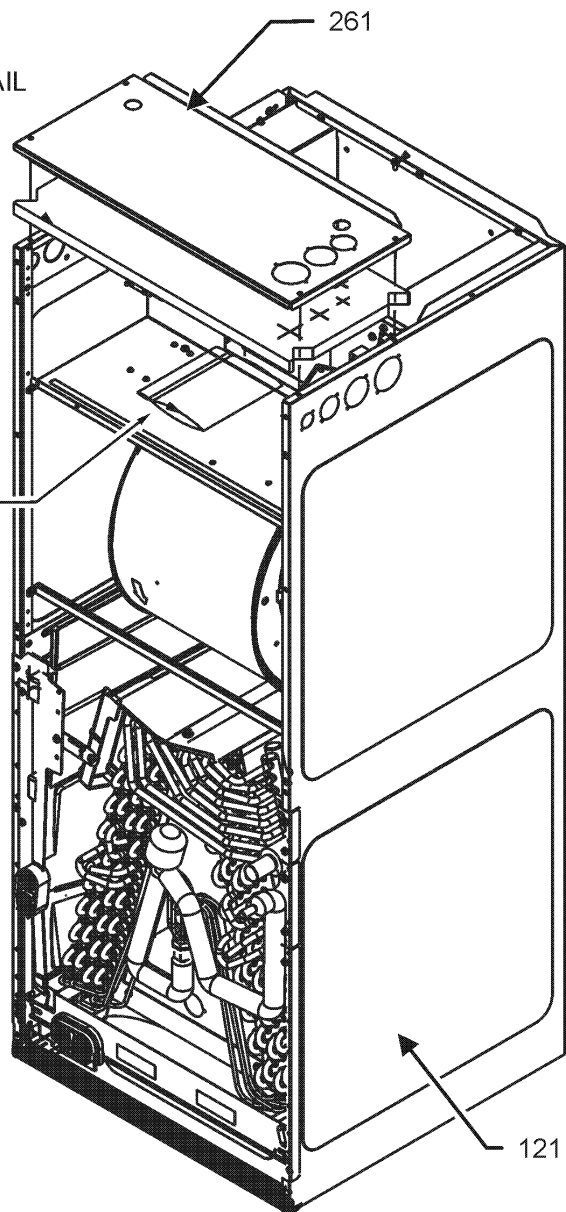
CONTROL BOX DETAIL



CIRCUIT BREAKER ASSY



SEE CONTROL BOX DETAIL



Wrapper and Control Box Assembly

Ref. Part No:	Part No:	Description:	Ref. Part No:	Part No:	Description:
---------------	----------	--------------	---------------	----------	--------------

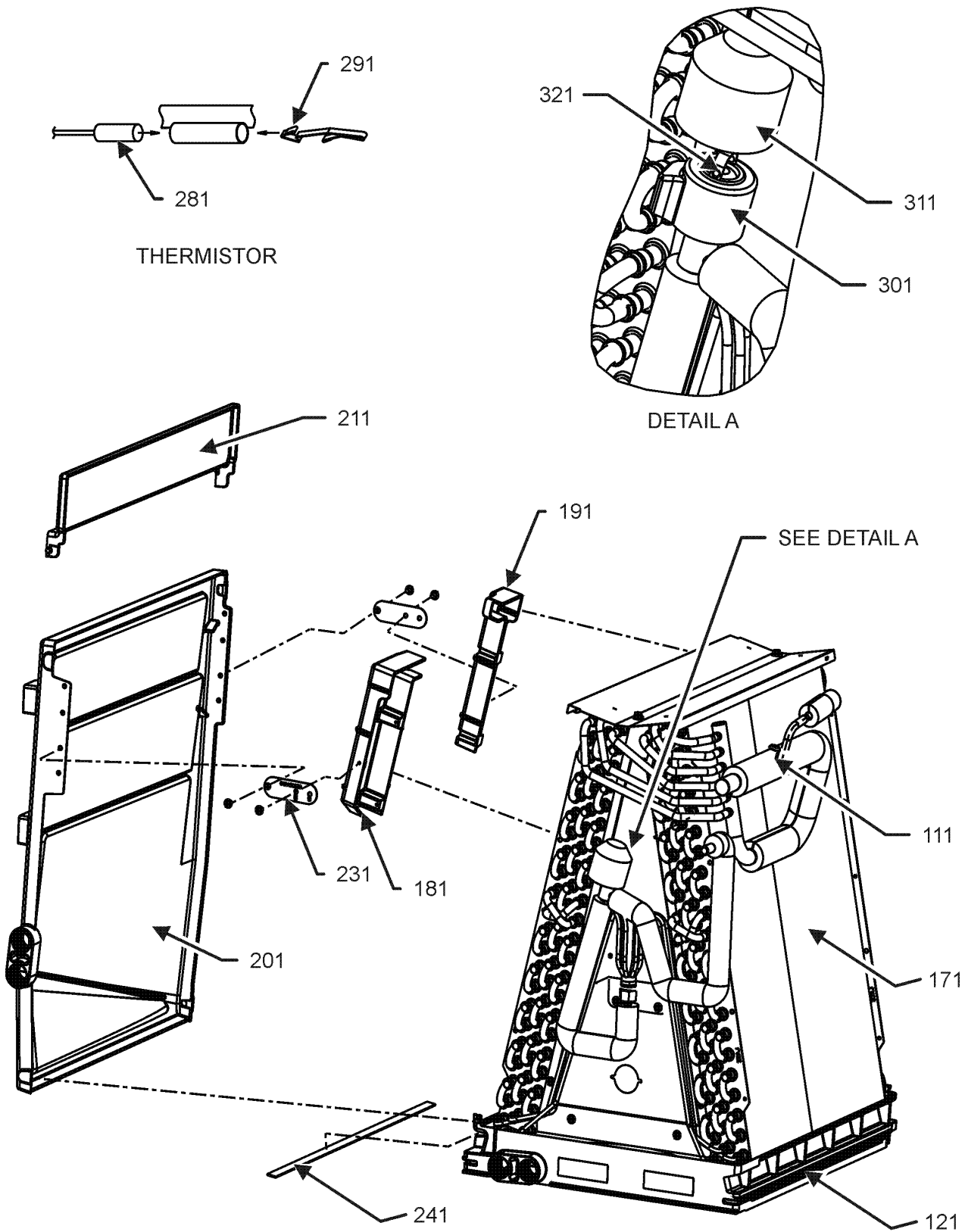
Image 1:

11	2P561243-3	PCB ASSY			
21	0130M00138	TRANSFORMER, 208/230, 24V (QTY 2)			
31	CBK2PD240VC060	CBK,2 POLE, DUAL,120/240V (M2, M3, M4, M6, M7, M8)			
41	0259A00033P	WIRE ASSY, 9 PIN FEMALE CONN			
51	0121A00400	2 POLE MOUNTING BRACKET (M2, M4, M6, M8)			
121	0121A00281PNG	WRAPPER, SM, PAINTED			
261	0121A01483PNG	PLATE, UPPER TIE			
411	0121A00835PNG	PANEL, UPPER ACCESS			
431	0121A00658PNG	REFRIGERATION TUBING PANEL			
451	0154A00006BL	GASKET, DRAIN PAN			
461	0154A00007BL	GASKET, DRAIN PAN			
471	0121A00620PNG	LOWER ACCESS PANEL			
531	0121A00242PNG	Panel, Filter Access			
541	0161A00073	CIRCUIT BREAKER COVER			
NS	064060J	CAPACITY ADAPTER (M1, M2)			
NS	065336J	CAPACITY ADAPTER (M3, M4)			
NS	065337J	CAPACITY ADAPTER (M7, M8)			
NS	066965J	CAPACITY ADAPTER (M5, M6)			
NS	0164A00002	GROMMET			
NS	IOD-4033B	I/O MANUAL SKY AIR FTQ I/D			
NS	IOD-4034	O/P MANUAL SKY AIR FTQ I/D			
NS	M0501301	PIPE GROMMET			
NS	0163M00036	SCREW,#10X1/2,B,BZ,SLOT,SR,BLK (QTY 4)			
NS	0130A00158	TERMINAL BLOCK			
NS	0163A00026	THUMB SCREW (QTY 2)			
NS	BT1392909	WASHER; SS RETAINING (QTY 2)			
NS	0259A00021	WIRE ASSY, 9 PIN FEMALE CONN (M1, M3, M5, M7)			
NS	0259A00033P	WIRE ASSY, 9 PIN FEMALE CONN			
NS	0259A00031P	WIRE HARNESS, CONNECTOR			

Expanded Model Nomenclature

M1 - FTQ18TAVJUAAC
M2 - FTQ18TAVJUDAC
M3 - FTQ24TAVJUAAC
M4 - FTQ24TAVJUDAC
M5 - FTQ30TAVJUAAC
M6 - FTQ30TAVJUDAC
M7 - FTQ36TAVJUAAC
M8 - FTQ36TAVJUDAC

Coil Tubing Assembly



NOTE: COIL TUBING ASSEMBLY MAY DIFFER FROM WHAT IS SHOWN

Coil Tubing Assembly

Ref. Part No:	Ref. Part No:	Description:	Description:
---------------	---------------	--------------	--------------

Image 1:

111	B1787000	VALVE CORE C/CL/CU/CP
121	0161A00049	DRAINPAN, VERTICAL
171	0270A01160	COIL TUBING ASSY (M1, M2, M3, M4)
171	0270A01161	COIL TUBING ASSY (M5, M6)
171	0270A01196	COIL TUBING ASSY (M7, M8)
181	0161A00060	CONDENSATE, COLLECT, FRONT
191	0161A00061	CONDENSATE, COLLECT, BACK
201	0161A00055	DRAINING PAN HORIZONTAL, SMALL
211	0161A00054	DRAIN PAN, EXTENSION, SMALL
231	0121A00633	BRACKET, DRIP SHIELD (QTY 2)
241	0154A00016	GASKET, PORON
281	4P419914-1	THERMISTOR ASSY
291	4PA38890-1	MOUNTING SPRING, THERMISTOR
301	3P381420-2	EEV COIL
311	4P399446-1	WATERPROOF CAP
321	3S500051-1	PULSE MOTOR EXPANS EEV (M1, M2, M3, M4)
321	3S500052-1	PULSE MOTOR EXPANS EEV (M5, M6)
321	3S500053-1	PULSE MOTOR EXPANS EEV (M7, M8)
NS	0163M00175	CAP WITH O-RING
NS	R3269031-7	FILTER (QTY 2)
NS	0259A00024	WIRE HARNESS ASSY
NS	0259A00025	WIRE HARNESS ASSY

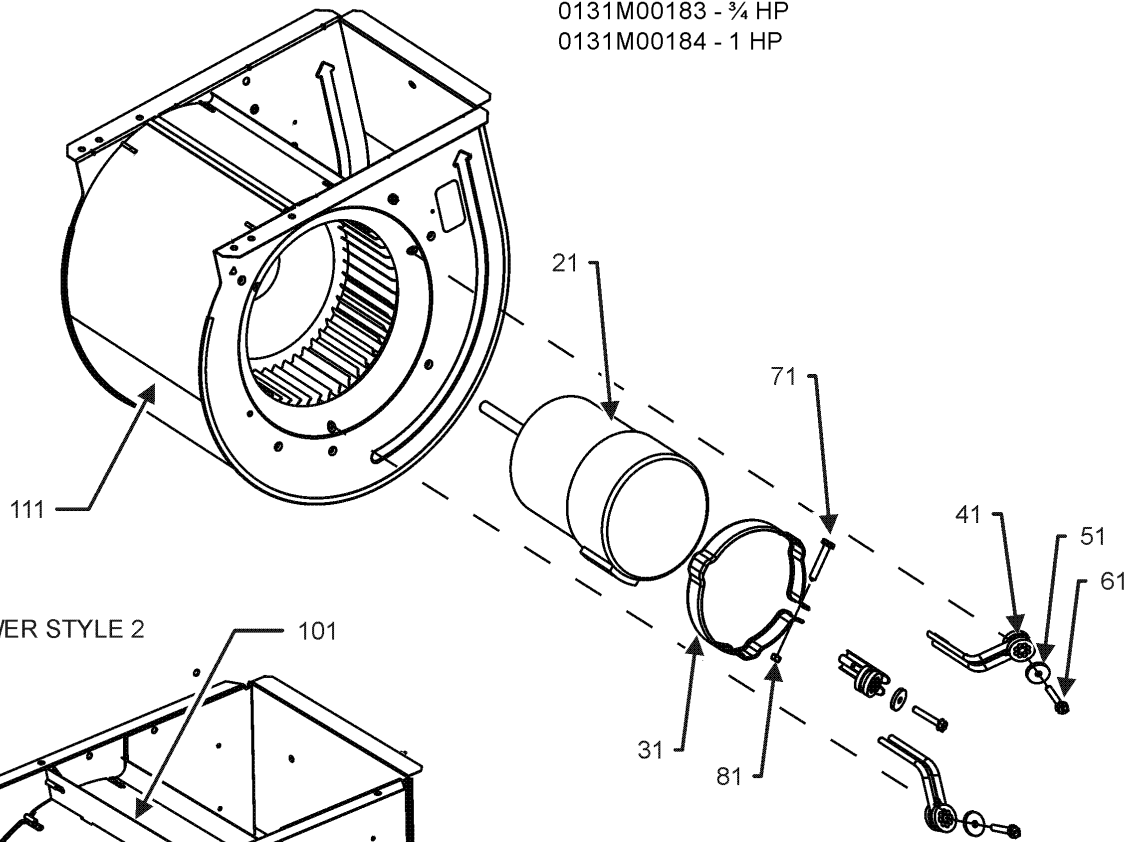
Expanded Model Nomenclature

M1 - FTQ18TAVJUAAC
M2 - FTQ18TAVJUDAC
M3 - FTQ24TAVJUAAC
M4 - FTQ24TAVJUDAC
M5 - FTQ30TAVJUAAC
M6 - FTQ30TAVJUDAC
M7 - FTQ36TAVJUAAC
M8 - FTQ36TAVJUDAC

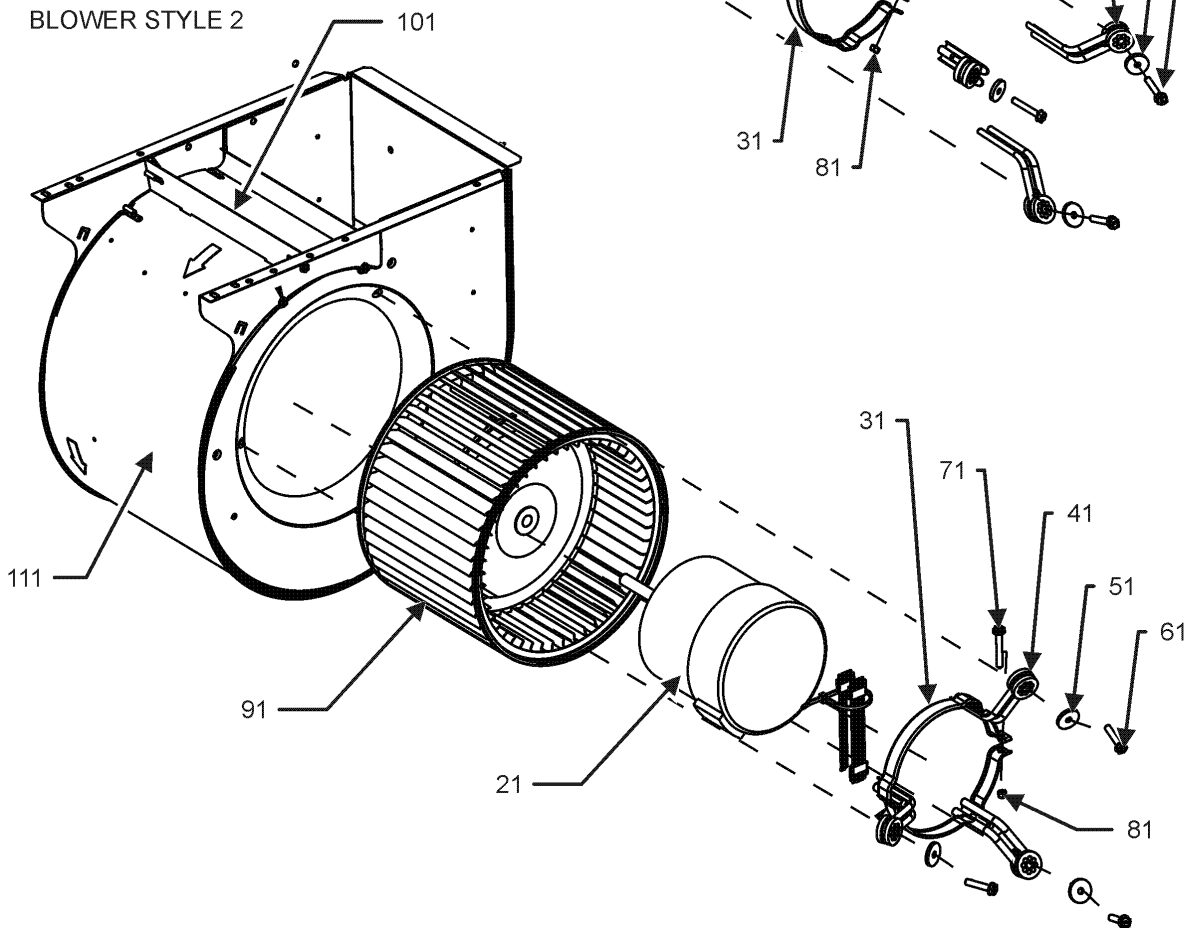
Blower Assembly

BLOWER STYLE 1

*If end bells are needed please order the following:
0131M00182 - 1/2 HP
0131M00183 - 3/4 HP
0131M00184 - 1 HP



BLOWER STYLE 2



Blower Assembly

Ref. Part No:	No:	Description:	Ref. Part No:	No:	Description:
---------------	-----	--------------	---------------	-----	--------------

Image 1:

21	0131M01002	MOTOR, 1/2 HP
31	0121M00038	MOTOR MOUNT BAND
41	0171M00011	MOTOR MOUNT ARM (QTY 3)
51	B1392918	WASHER, FLAT 1/4 ID X 1 OD (QTY 3)
61	M0250565	TC SCREW 1.25" (QTY 3)
71	0163M00320	HEX HED ALL THREAD TAP BOLT
81	B1393800	LOCKNUT, NYLON, INSERT 1/4,20
111	0271A00299	BLOWER SHELL ASSY 9X6,MORRISON
NS	0259M00008	WIRE HARNESS

Expanded Model Nomenclature

M1 - FTQ18TAVJUAAC
M2 - FTQ18TAVJUDAC
M3 - FTQ24TAVJUAAC
M4 - FTQ24TAVJUDAC
M5 - FTQ30TAVJUAAC
M6 - FTQ30TAVJUDAC
M7 - FTQ36TAVJUAAC
M8 - FTQ36TAVJUDAC